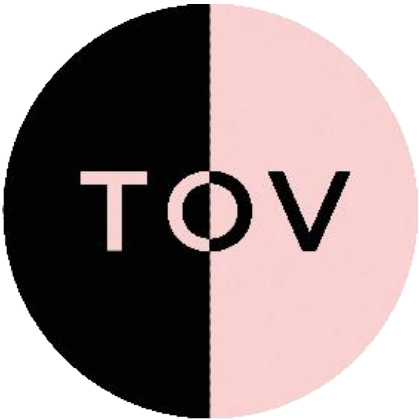
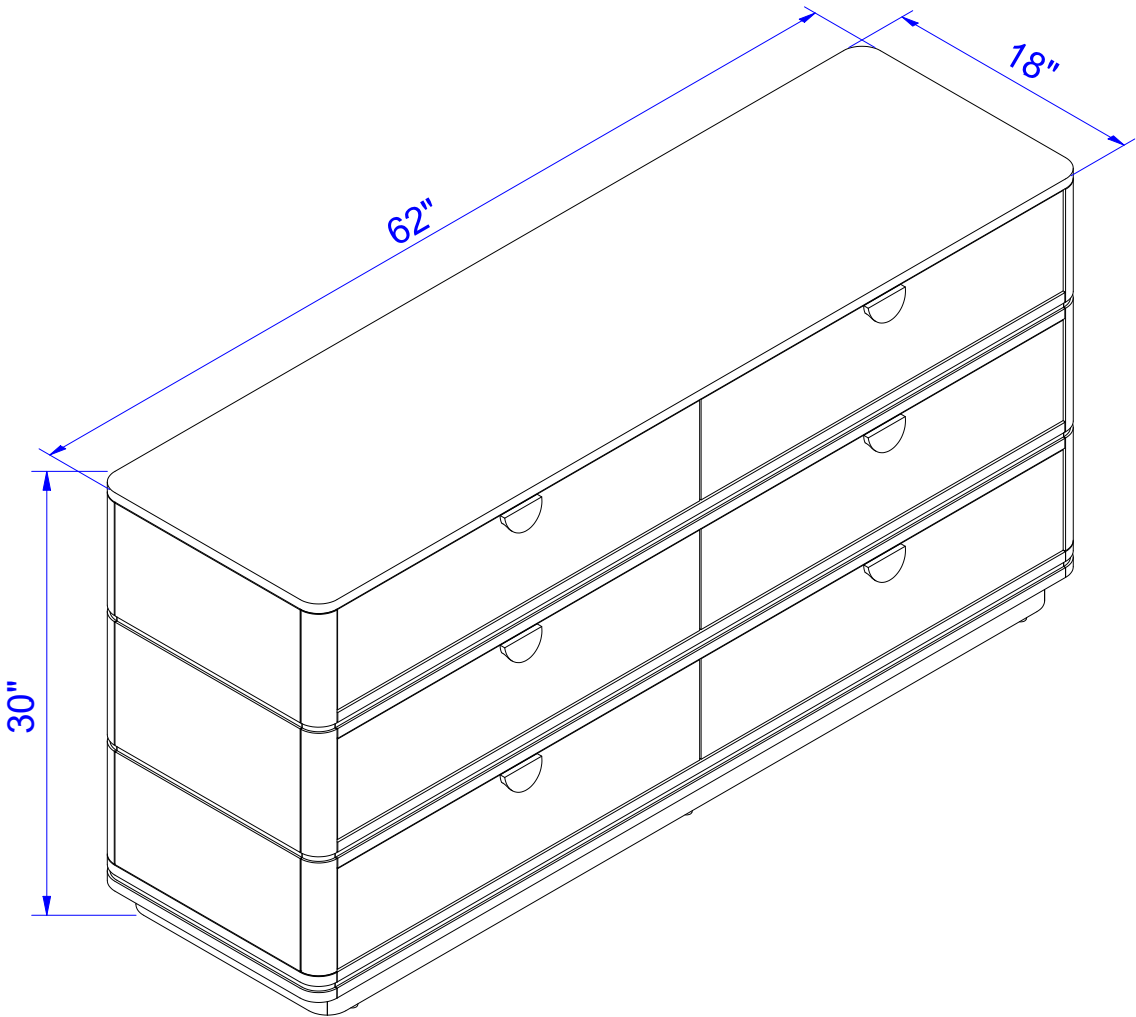


**JULIETA DRESSER**

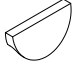







# **JULIETA DRESSER**

## **ASSEMBLY INSTRUCTION**



# HARDWARE

LABEL	PICTURE	DESCRIPTION	QTY
A		Handles	6
B		Bolt M4x20	12
C		Screw M4x40	4
D		Anti-Tip Kit	2
E		Screw M4x20	4
F		Wall plug	4

## BEFORE BEGINNING ASSEMBLY:



Read instructions cover to cover



Have two adults on hand for assembly



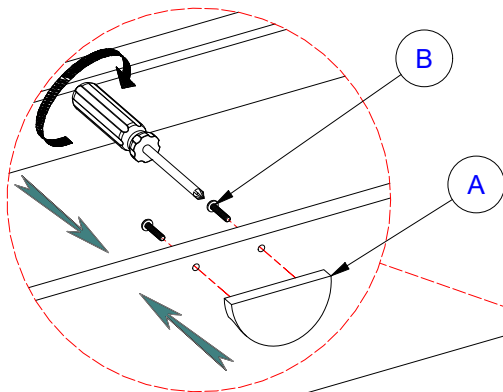
Do NOT assemble on flooring or carpet. Assemble on a clean non-marring surface (ex: packing foam)



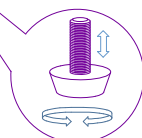
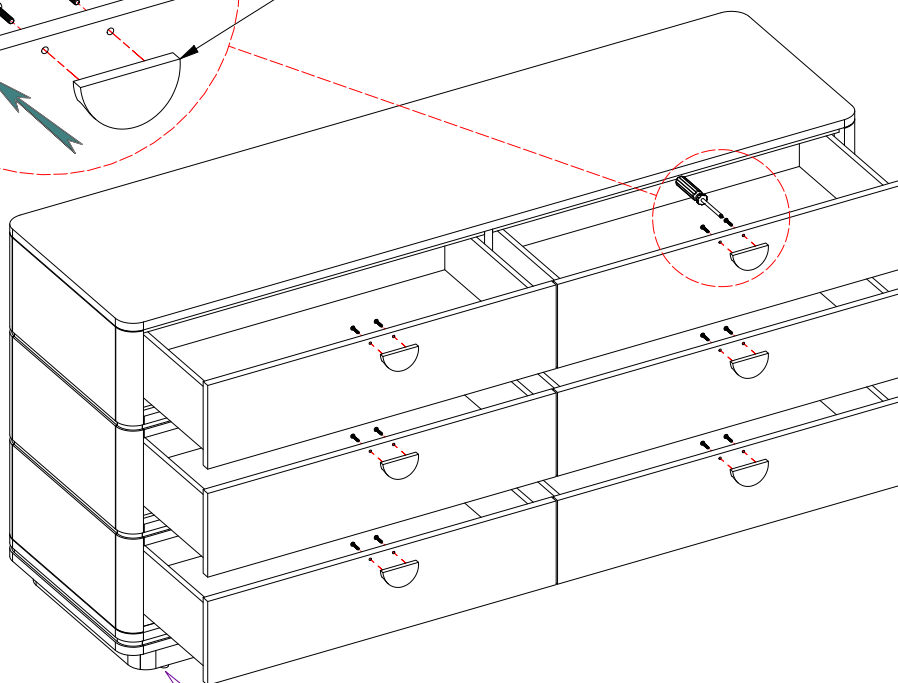
Save all packaging until assembly is completed

## ASSEMBLY STEPS

**STEP 1** 1) Attach the drawer handles using the included hardware as shown

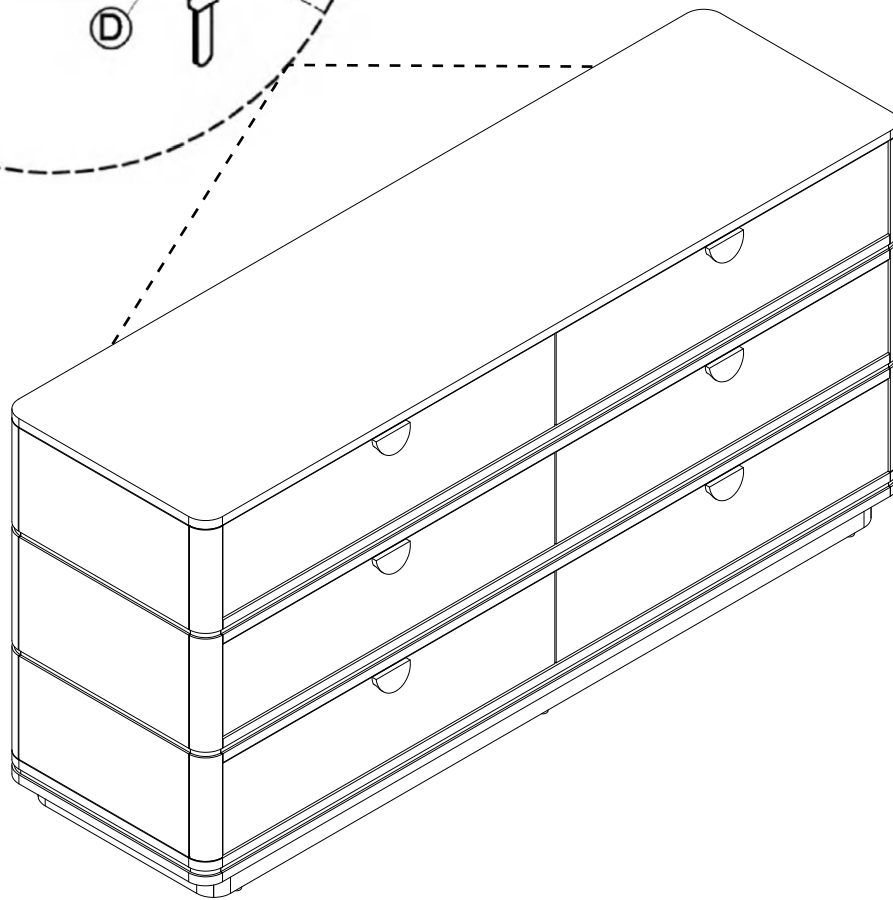
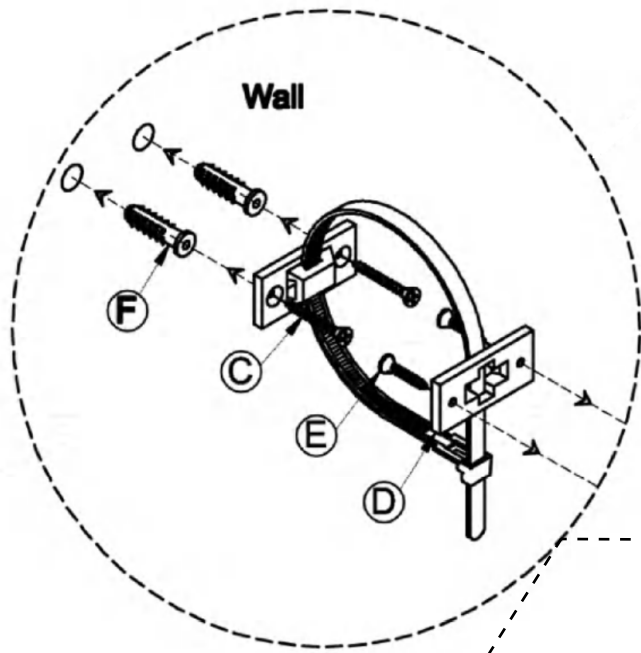


⚠ Make sure both bolts are firmly in place before tightening them completely



Adjust leveler as needed

**STEP 2** 1) Install the Anti Tip Kits (D) to the back of the cabinet, and attach it securely to the wall



---

## CARE & MAINTENANCE

---



Do not put hot items directly on furniture surface.



Do not clean furniture with harsh cleansers or polish



Dust and wipe up spills using a clean, non-colored, lint-free cloth.



Stains may be removed with a mild soap solution and a damp cloth.



Do not place furniture under direct sunlight.



Do not place furniture near heating or cooling vents.



Do not write on furniture without a padded barrier to protect the surface.



Do not place furniture outside, for indoor use only.

**"Need a part? Call TOV at 516-888-3355 or  
email [service@tovfurniture.com](mailto:service@tovfurniture.com)"**