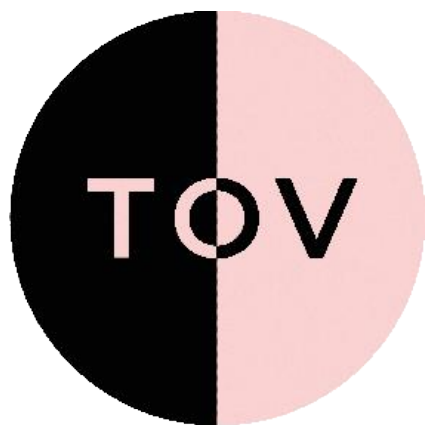
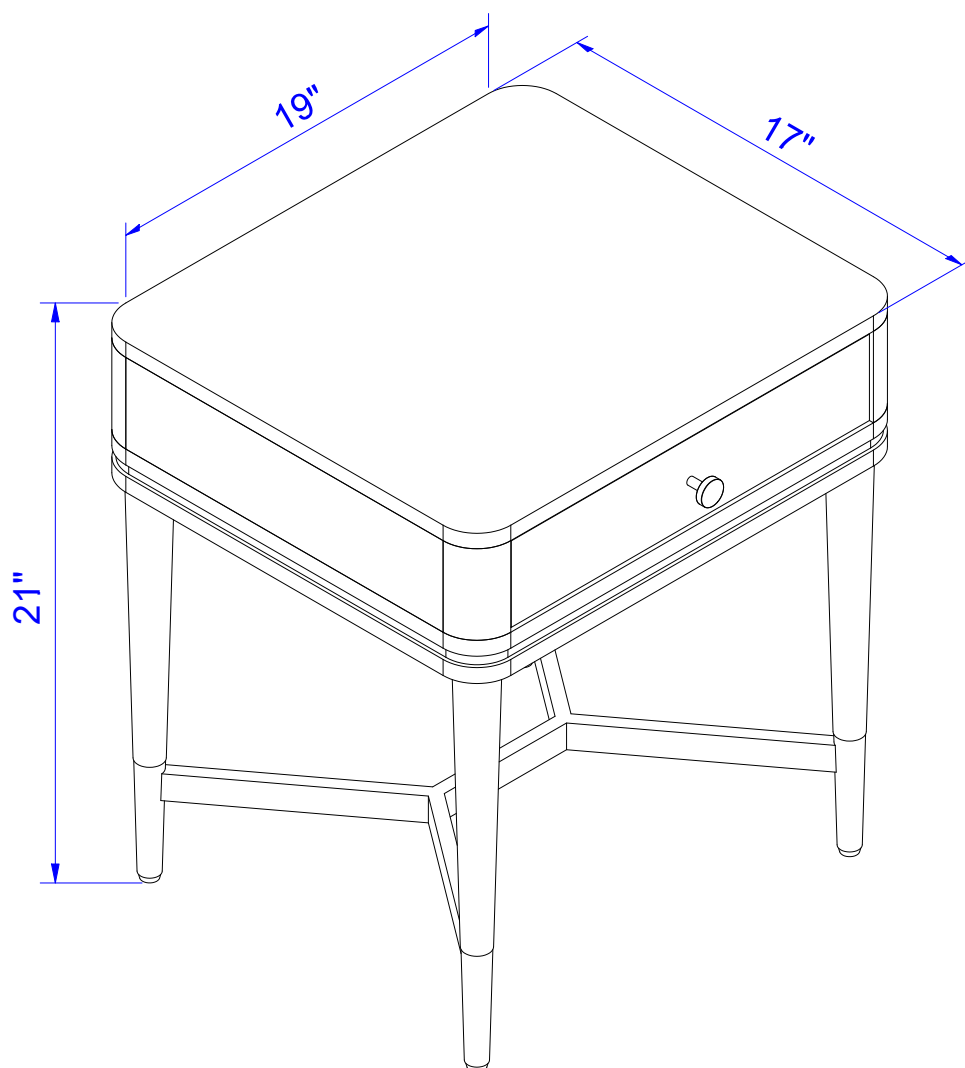


JULIETA NIGHTSTAND



# JULIETA NIGHTSTAND

## ASSEMBLY INSTRUCTION



**BEFORE BEGINNING ASSEMBLY:**



Read instructions cover to cover



Have two adults on hand for assembly



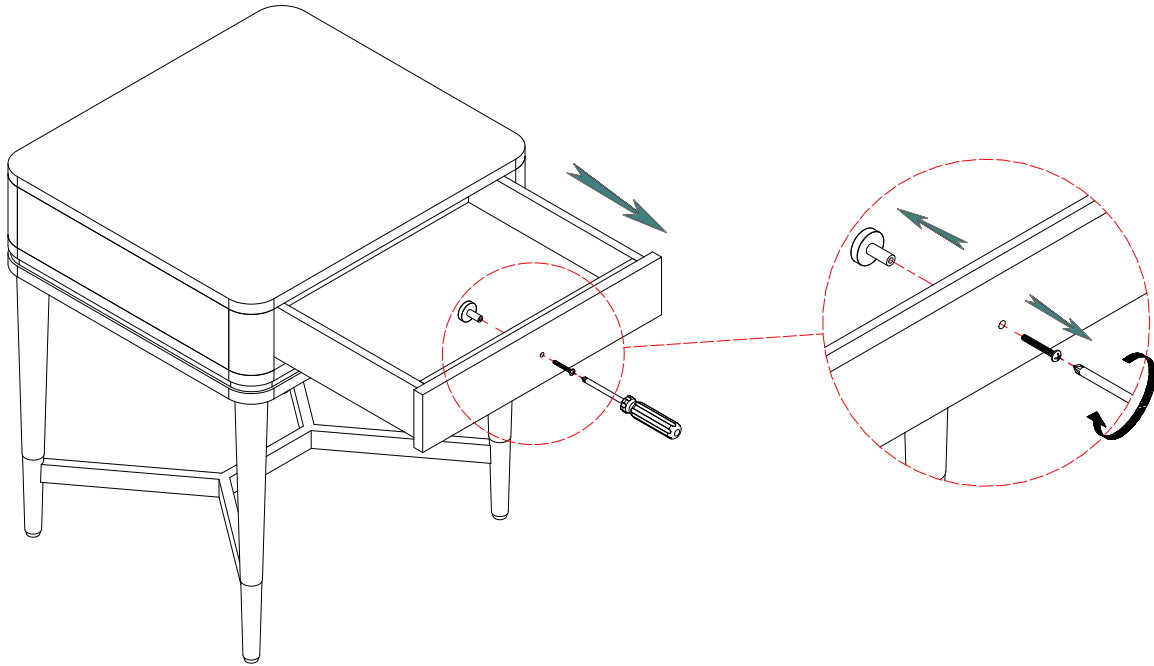
Do NOT assemble on flooring or carpet. Assemble on a clean non-marring surface (ex: packing foam)



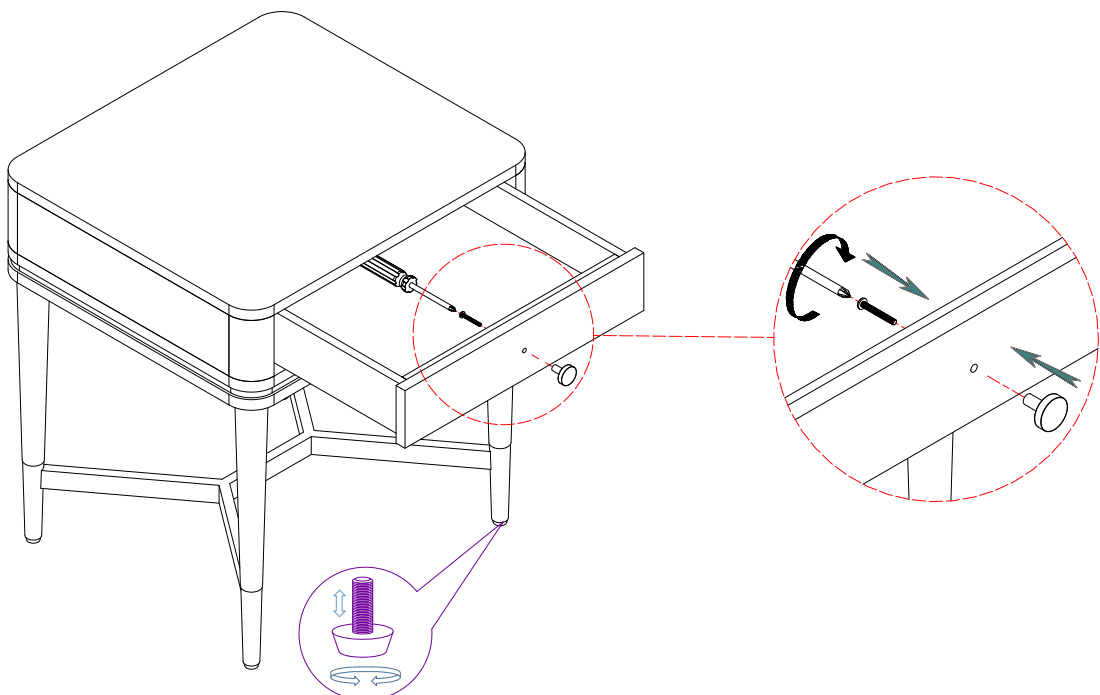
Save all packaging until assembly is completed

**ASSEMBLY STEPS**

- STEP 1** 1) Open the drawer.  
2) Unscrew the drawer handle as illustrated.



- STEP 2** 1) Using the same hardware, install the drawer handle as shown.



Adjust leveler as needed

---

## CARE & MAINTENANCE

---



Do not put hot items directly on furniture surface.



Do not clean furniture with harsh cleansers or polish



Dust and wipe up spills using a clean, non-colored, lint-free cloth.



Stains may be removed with a mild soap solution and a damp cloth.



Do not place furniture under direct sunlight.



Do not place furniture near heating or cooling vents.



Do not write on furniture without a padded barrier to protect the surface.



Do not place furniture outside, for indoor use only.

**"Need a part? Call TOV at 516-888-3355 or  
email [service@tovfurniture.com](mailto:service@tovfurniture.com)"**