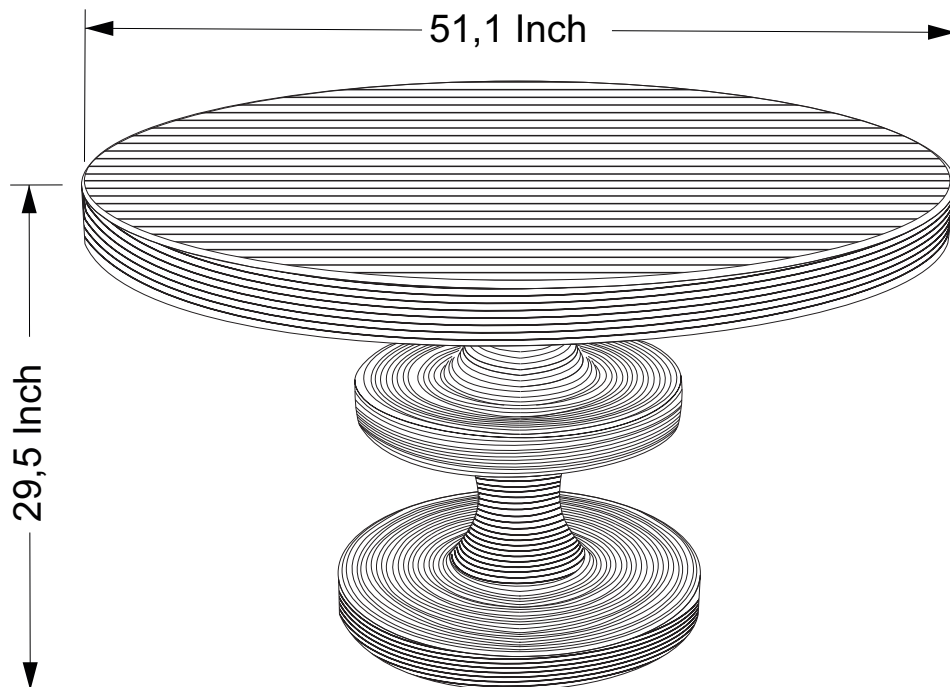

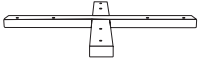




APOLLONIA RATTAN
ROUND DINING TABLE

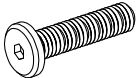



APOLLONIA RATTAN ROUND DINING TABLE ASSEMBLY INSTRUCTIONS



PARTS LIST

LABEL	PICTURE	DESCRIPTION	QTY
A		TABLE TOP	1 PCS
B		CROSS BAR	1 PCS
C		BASE	1 PCS
D		GLASS TOP	1 PCS

HARDWARE

LABEL	PICTURE	DESCRIPTION	QTY
E		SCREW M6 X 50	12 PCS
F		WASHER	12 PCS
G		WRENCH M4 x 60	1 PCS
H		GLASS TOP BUMPERS	17 PCS

BEFORE BEGINNING ASSEMBLY :



Read instructions cover to cover



Have two adults on hand for assembly



Do NOT assemble on flooring or carpet. Assemble on a clean non-marring surface (ex: packing foam)

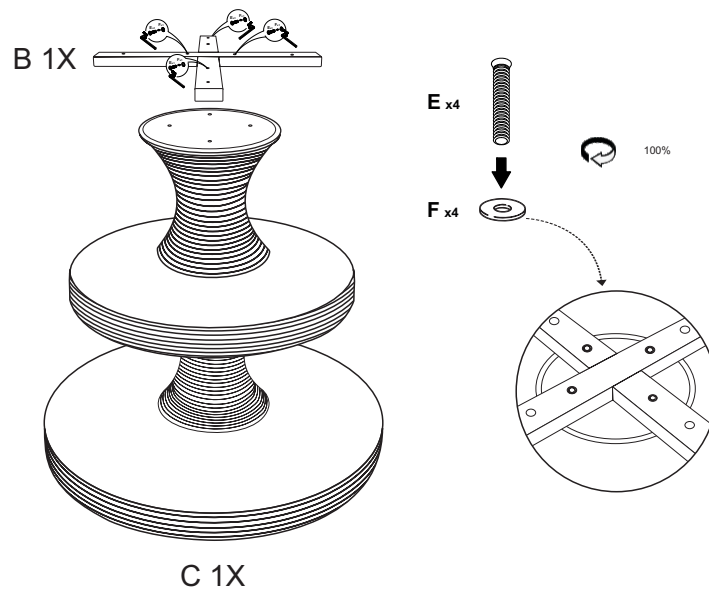


Save all packaging until assembly is completed

ASSEMBLY STEPS

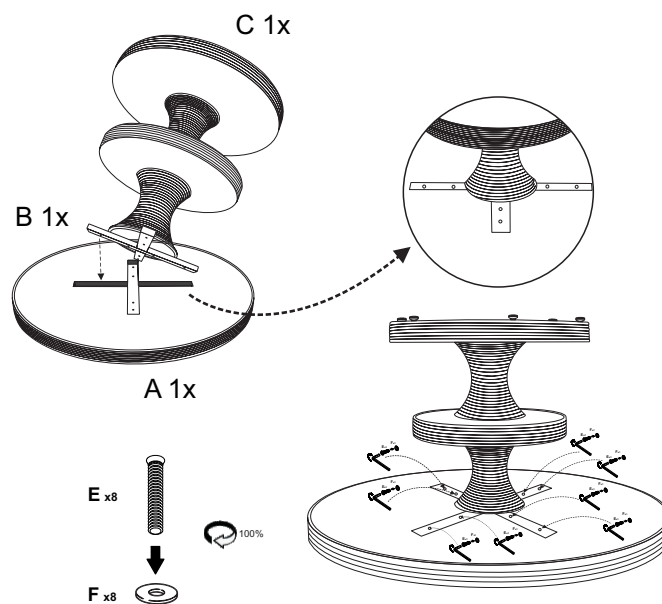
STEP 1

- 1.) Attach the Cross bar (B) to the base (C)
with the hardware (E) and (F) with the wrench (G)



STEP 2

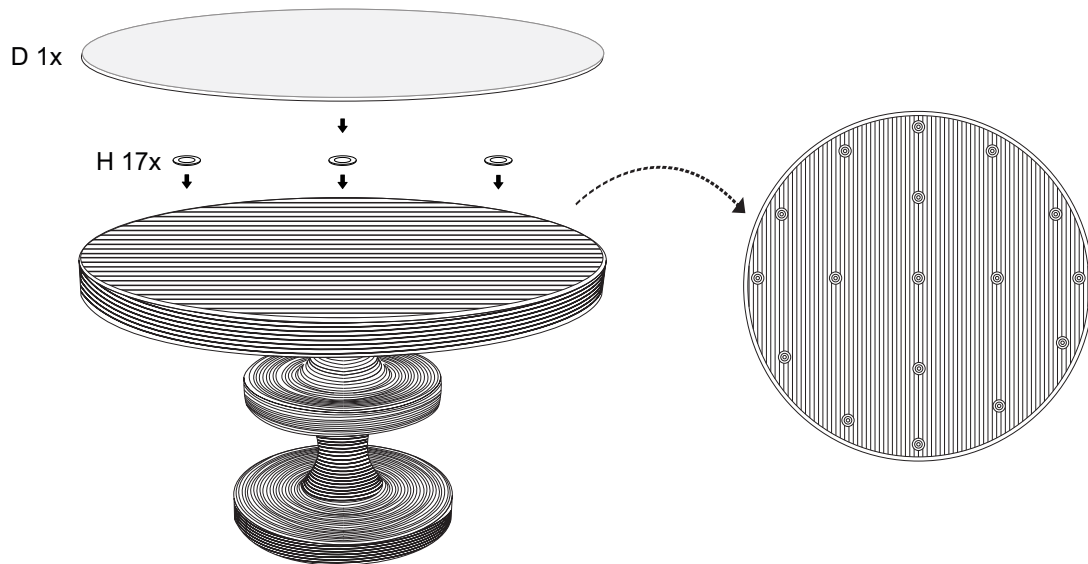
- 2.) Reverse the base and install it to the table top (A)
with hardware (E) and (F) with the wrench (G) as illustrated



ASSEMBLY STEPS

STEP 3

3.) Lay the glass top bumpers (H) on the table top as shown, and place the glass top on with care



Finished assembly

COMPLETE



CARE & MAINTENANCE



Do not put hot items directly on furniture surface.



Do not clean furniture with harsh cleansers or polish



Dust and wipe up spills using a clean, non-colored, lint-free cloth.



Stains may be removed with a mild soap solution and a damp cloth.



Do not place furniture under direct sunlight.



Do not place furniture near heating or cooling vents.



Do not write on furniture without a padded barrier to protect the surface.



Do not place furniture outside, for indoor use only.

**"Need a part? Call TOV at 516-888-3355 or
email service@tovfurniture.com"**