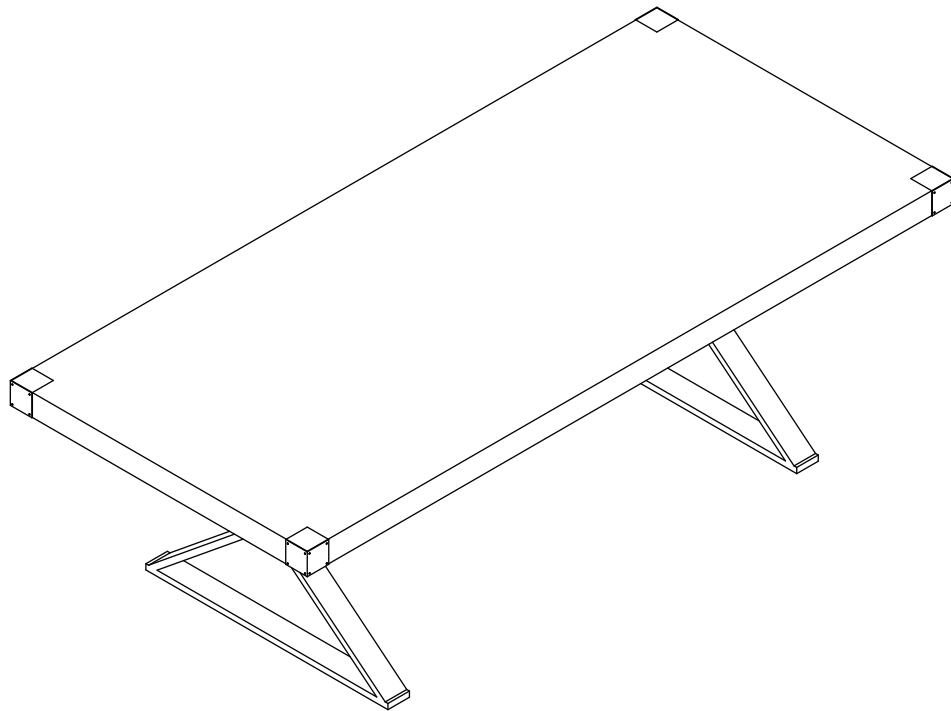


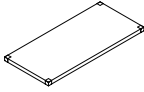
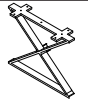
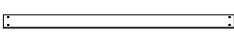
Adeline Dining Table
TOV-G5496/TOV-D68303

ADELINE


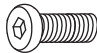


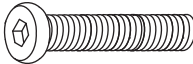
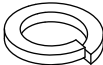


ASSEMBLY INSTRUCTIONS



PARTS LIST

LABEL	PICTURE	DESCRIPTION	QTY
①		Tabletop	1
②		Leg	2
③		Center Bar	1

HARDWARE

LABEL	PICTURE	DESCRIPTION	QTY
A		Allen Key M4	1
B		Bolt M6*15	4
C		Washer M6*18	4
D		Allen Key M5	1
E		Bolt M8*40	14
F		Spring M8	14
G		Washer M8*22	14
H		Adjustable feet M50*5	4

BEFORE BEGINNING ASSEMBLY:



Read instructions cover to cover



Have two adults on hand for assembly



Do NOT assemble on flooring or carpet. Assemble on a clean non-marring surface (ex: packing foam)

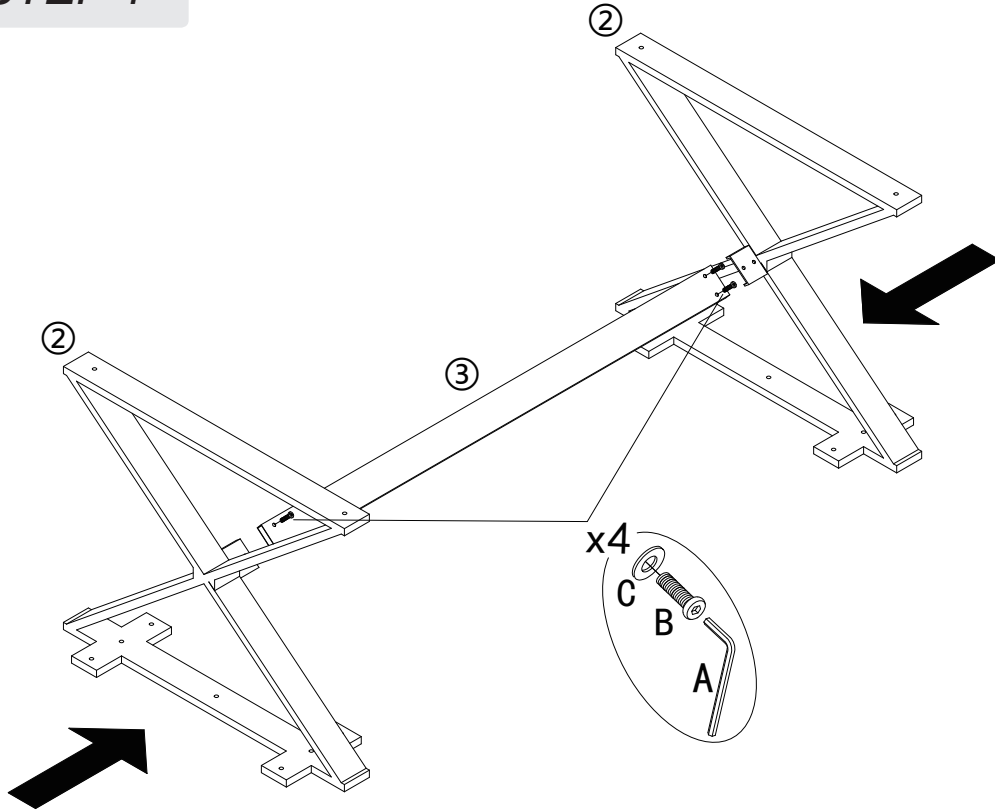


Save all packaging until assembly is completed

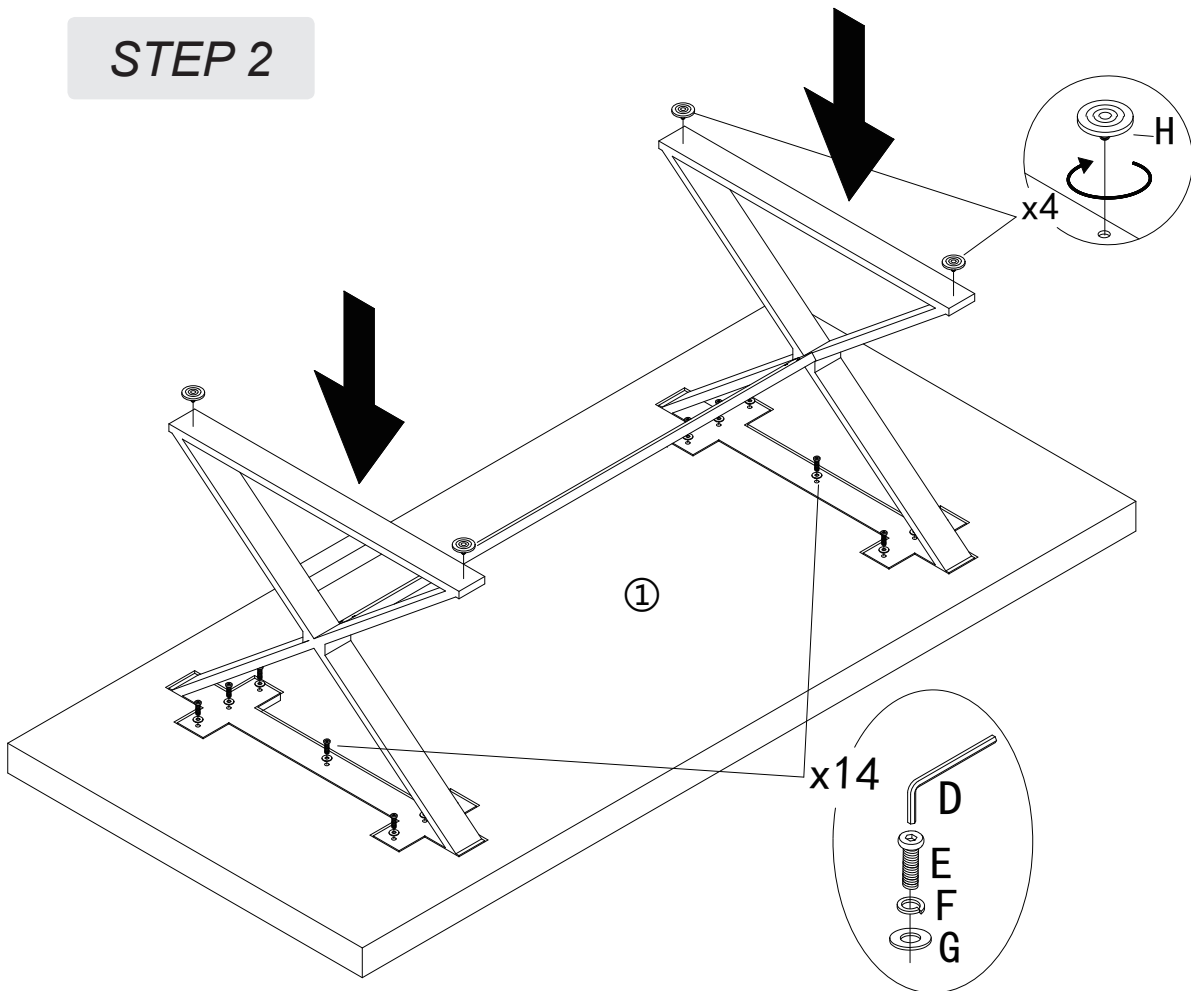
Need a part? Call TOV at 516-888-3355 or email service@tovfurniture.com

ASSEMBLY STEPS

STEP 1



STEP 2



CARE & MAINTENANCE



Do not put hot items directly on furniture surface.



Do not clean furniture with harsh cleansers or polish.



Dust and pick up spills using a clean, non-colored, lint-free cloth.



Stains may be removed with mild soap solution and a damp cloth.



Do not place furniture under direct sunlight.



Do not place furniture near heating or cooling vents.



Do not write on furniture without a padded barrier to protect the surface.



Do not place furniture outside, for indoor use only.