

# REPLACEMENT PARTS

**Dear Customer,**

If you have any questions or issues with your furniture, we will help you.

For fastest service, please contact us via e-mail or phone call, we will ship the parts directly to you free of charge.

To speak with us:

E-mail: [service@themesandrooms.com](mailto:service@themesandrooms.com)

Call.: (866) 966- 6060 - Monday – Friday 9:00 am – 5:00 pm EST

DISTRIBUTED BY: THEMES AND ROOMS, LLC  
7345 W Sand Lake RD, STE 210 - Office 535, Orlando, FL - 32819 US  
MADE IN BRAZIL

**NOTE: THIS INSTRUCTION BOOKLET CONTAINS IMPORTANT SAFETY INFORMATION. PLEASE READ AND KEEP FOR FUTURE REFERENCE.**



## ASSEMBLY INSTRUCTIONS

Thank you for purchasing this quality product.

Before beginning assembly, we encourage you to familiarize yourself with your new furniture piece by taking a few minutes to go through this booklet. It contains important information on our warranty and care tips to keep your furniture looking as good as new.

Be sure to check all packing materials carefully for small parts which may have come loose inside the carton during shipment. Separate, identify and count all parts and hardware. Compare with the parts list to be sure all parts are present.

Hammer, mallet and screwdrivers are required for assembly.

Securely tighten the nuts and bolts after finished the assembly.

Tighten the nuts on bolts flush to the tube (or member) and that caps which go over the exposed bolts shall be put on snug to the nut.

Warning: lock washers, self-locking nuts or other locking means aren't provided for the bolts (structural screws).

**CAUTION: TO ALLOW FOR TOLERANCE DURING ASSEMBLY, DO NOT FIRMLY TIGHTEN BOLTS & SCREWS UNTIL COMPLETELY ASSEMBLED**

## SIZE OF MATTRESS AND FOUNDATION

Use only Twin or Full Mattress with the following specifications on upper & lower bunks Twin Mattress: 37 1/2" - 39 1/4" Wide X 74" - 75" long.

The total thickness of Mattress and Foundation should not exceed 8" inches.

Do not use mattress without proper safe foundation.

## STRANGULATION HAZARD

Caution, not allow children to wear inappropriate items, such as but not limited to, loose fitting clothing, hood and neck drawstrings, scarves, cord-connected items, capes and ponchos. These items can cause death by strangulation.

## SAFETY WARNINGS!

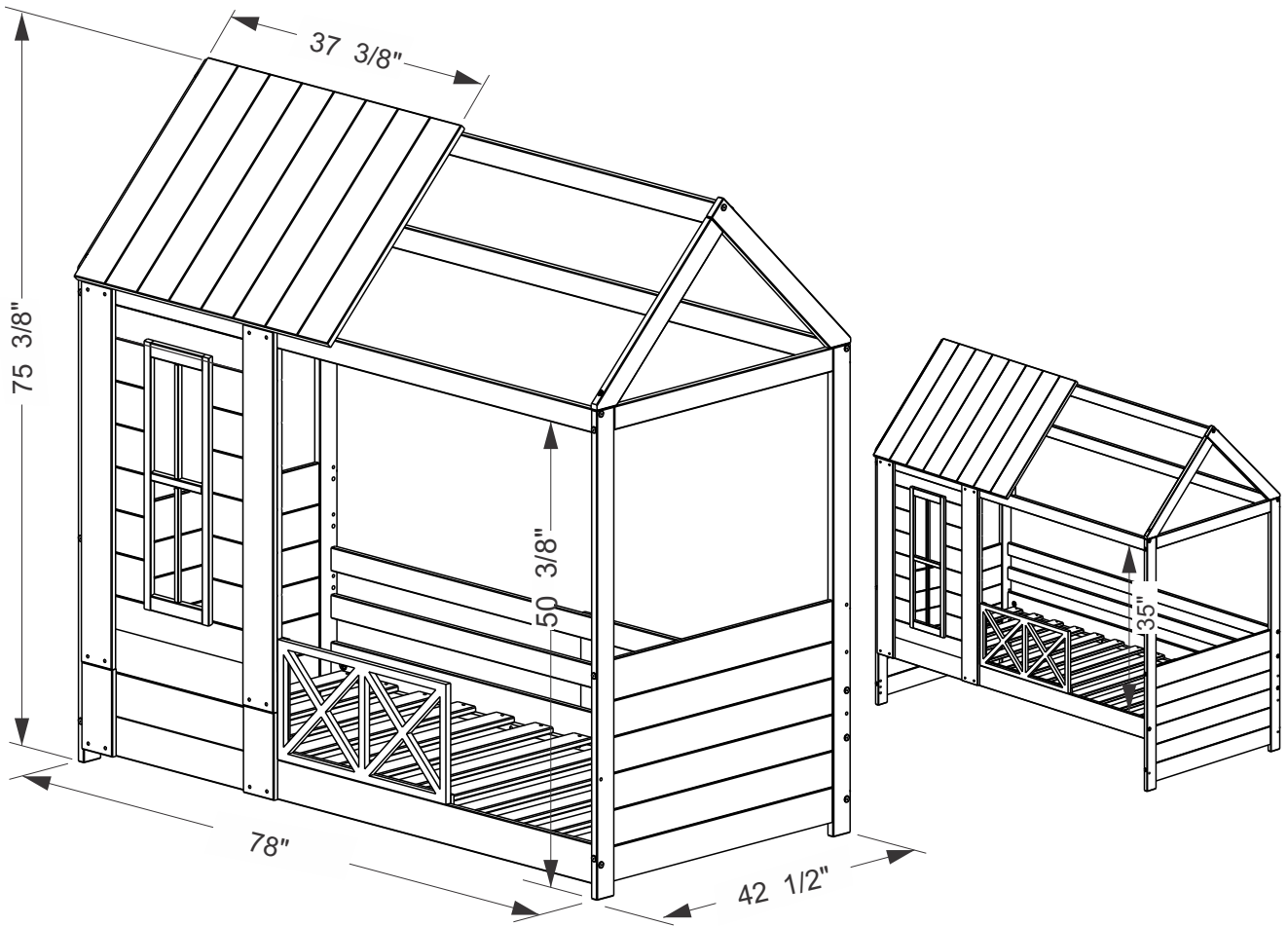
- Observing the following statements and warnings reduces the likelihood of serious or fatal injury.
- Always use the recommended size mattress or mattress support, or both, to help prevent the likelihood of entrapment or falls.
- Do not use substitute parts. Contact distributor or dealer for replacement parts.
- Caution: This unit is intended for use only with the maximum weights indicated.
- Keep these instructions for future reference.

**IMPORTANT: PLEASE READ INSTRUCTIONS BEFORE STARTING THE ASSEMBLY**

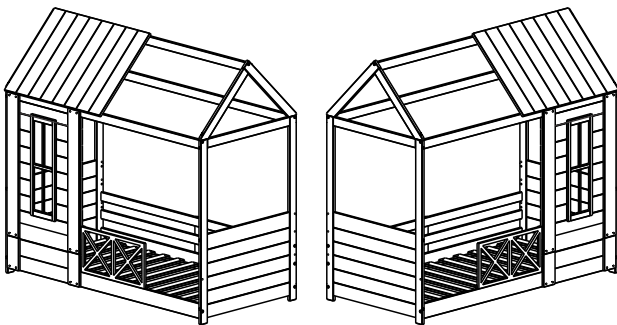


# GARDEN TWIN BED

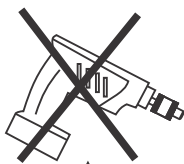
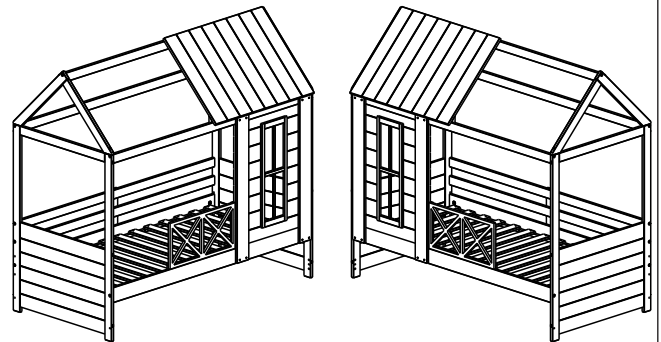
TR1018 / White+Gray  
TR1071 / White+Natural



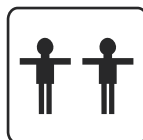
## OPTION 01



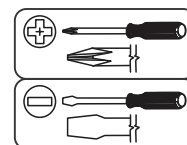
## OPTION 02



**Use a power tool to assemble this product will invalidate any claim and damage this product making unsafe!!! Please assemble on a clean soft surface to avoid damage.**



## TOOLS REQUIRED

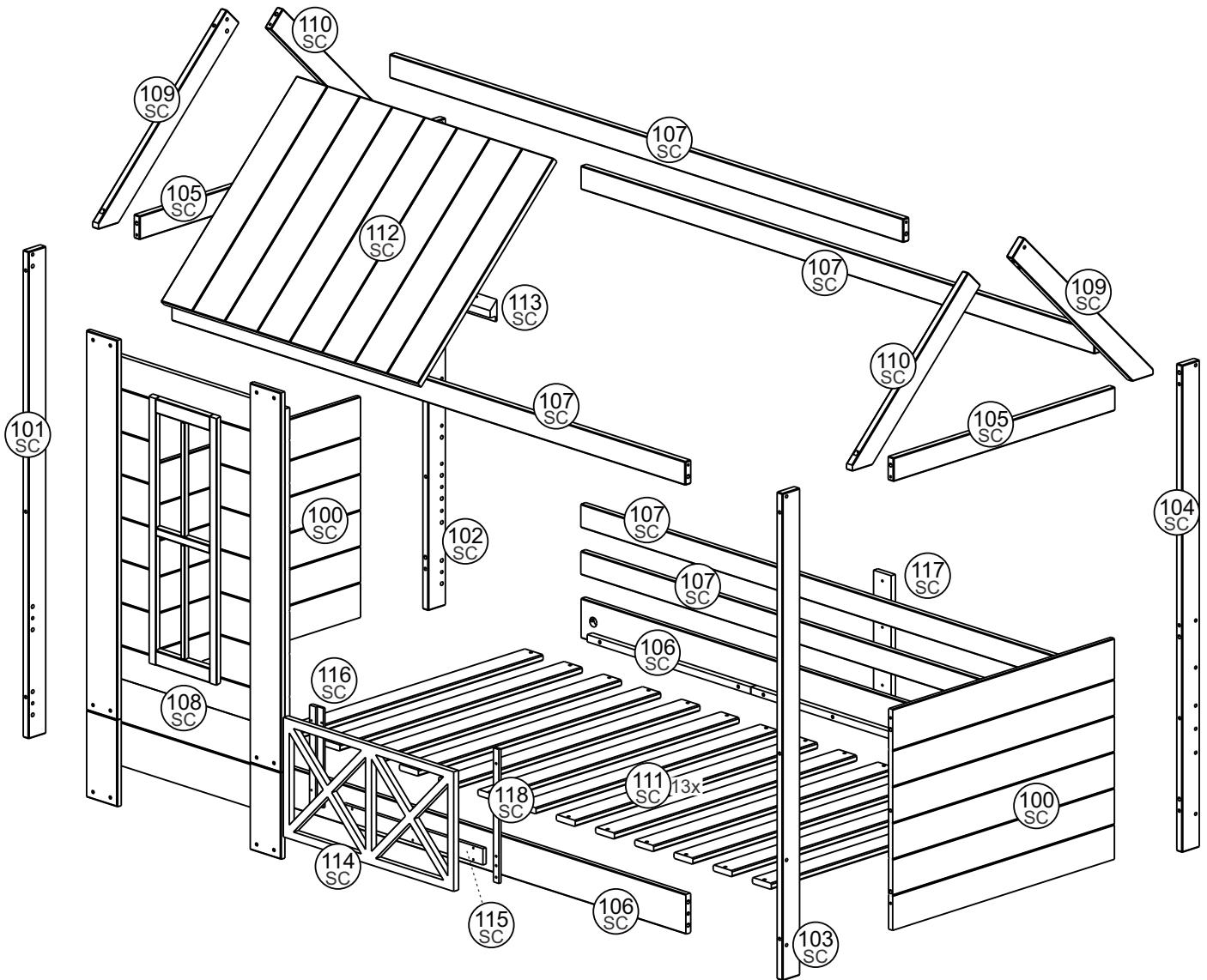


screwdrivers  
(not included)



hammer / mallet  
(not included)

# PART LIST



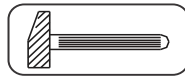
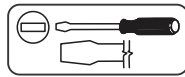
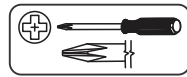
BOX 1/2	BOX 2/2
(101 SC) (102 SC) (103 SC) (104 SC) (105 SC) 2x (106 SC) 2x (107 SC) 5x	(100 SC) 2x (108 SC) (112 SC) (113 SC) (114 SC) (115 SC) (116 SC) (118 SC)
(109 SC) 2x (110 SC) 2x (111 SC) 13x (117 SC)	

## Environmental Responsibility

All wood used in our products comes from reforestation planted areas, without use of native forest.


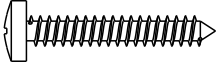
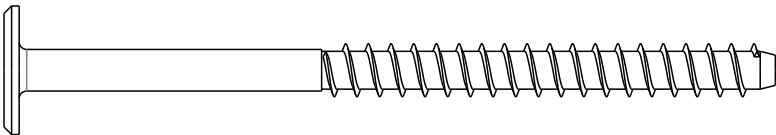
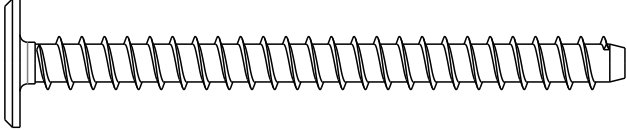

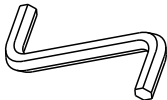
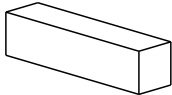

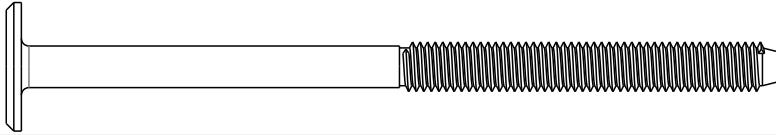

# TOOLS REQUIRED

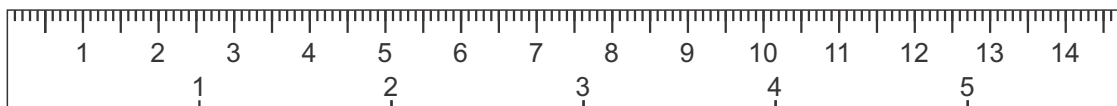
Hammer, mallet and screwdrivers are required for assembly.



screwdrivers  
(not included)

hammer / mallet  
(not included)

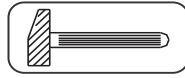
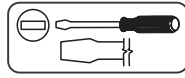
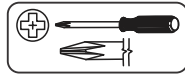
A		Wooden dowel Cavilha Taquete	ø10x40	24
B		Screw Parafuso PH CP Tornillo	ø4x25	08
C		Structural screw Parafuso estrutural Tornillo estructural	ø7x100	14
D		Structural screw Parafuso estrutural Tornillo estructural	ø7x80	10
E		Screw Parafuso PH CP Tornillo	ø4x50	04
F		Allen key Chave allen Llave allen		01
G		Spacer Espaceador Estrado Separador		02
H		Flat head screw Parafuso PH CC Tornillo	ø4x20	21
I		Structural screw Parafuso estrutural Tornillo estructural	ø1/4x100	04
J		Elliptical nut Porca Meia-Lua Tuerca elliptical		04



**CAUTION: TO ALLOW FOR TOLERANCE DURING ASSEMBLY, DO NOT FIRMLY TIGHTEN BOLTS & SCREWS UNTIL COMPLETELY ASSEMBLED**

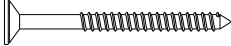


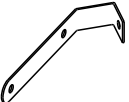

# TOOLS REQUIRED

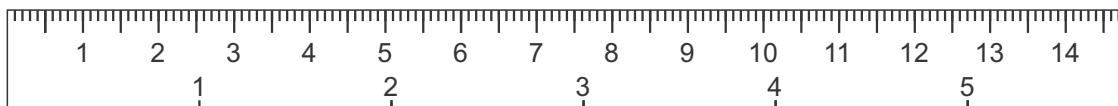
Hammer, mallet and screwdrivers are required for assembly.



screwdrivers  
(not included)

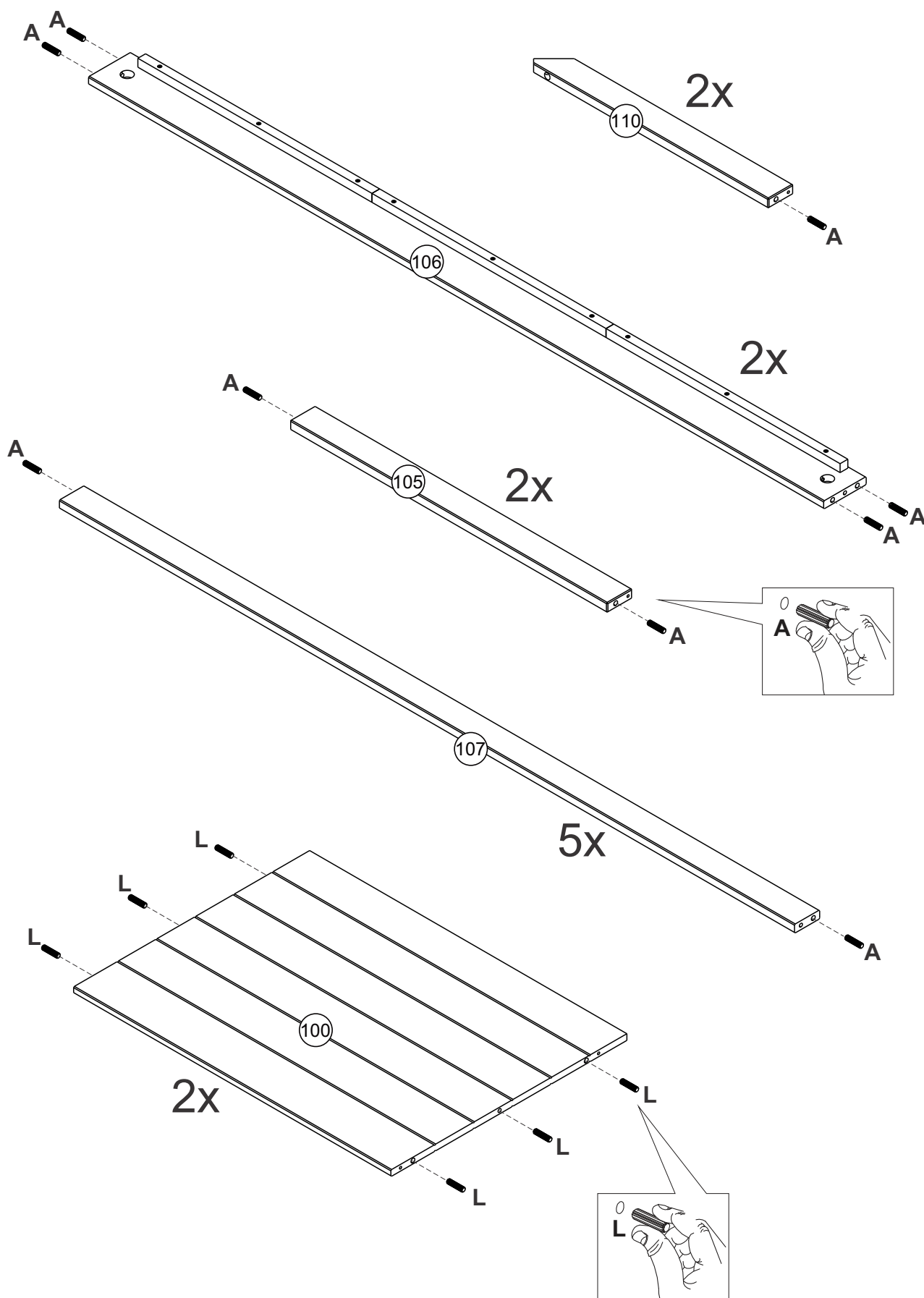
hammer / mallet  
(not included)



K		Flat head screw Parafuso PH CC Tornillo	ø4x30	29
L		Wooden dowel Cavilha Taquete	ø8x30	12
M		Flat head screw Parafuso PH CC Tornillo	ø3,5x16	10
N		Hook Gancho Gancho		02
O		Corner Cantoneira Corner		02



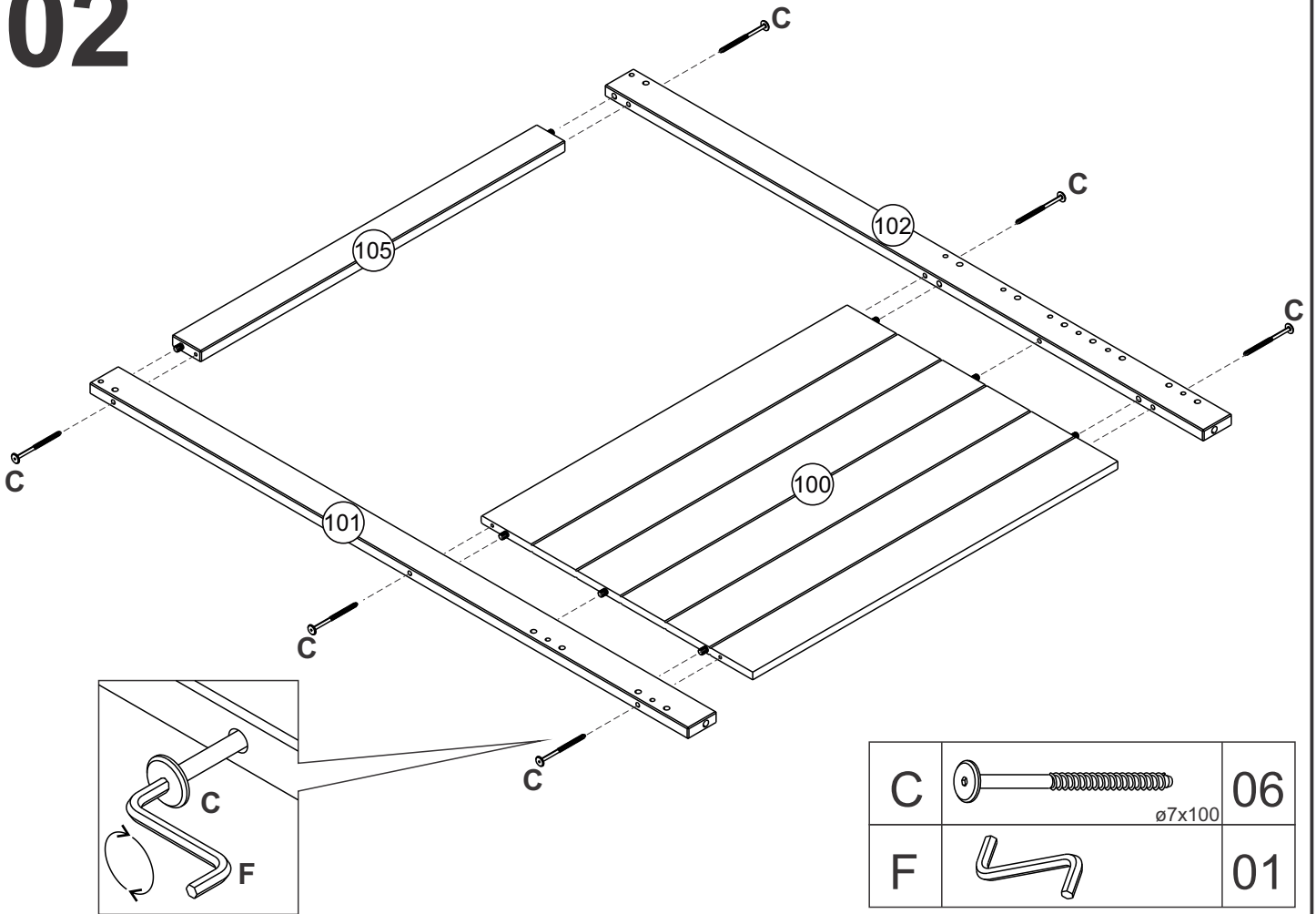
**CAUTION: TO ALLOW FOR TOLERANCE DURING ASSEMBLY, DO NOT FIRMLY TIGHTEN BOLTS & SCREWS UNTIL COMPLETELY ASSEMBLED**

# 01

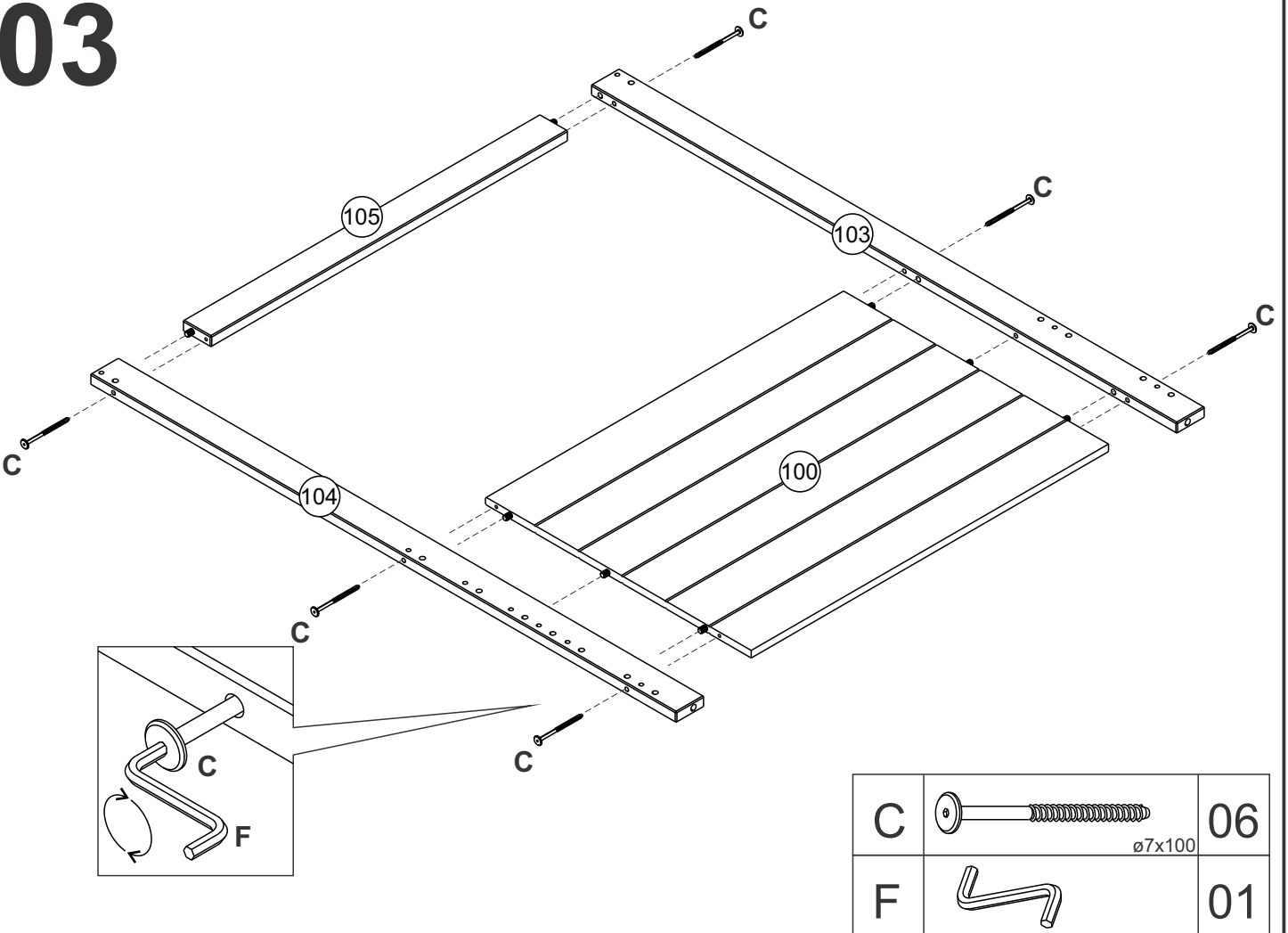


A		24	L		12
		ø10x40			ø8x30

# 02

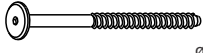




# 03

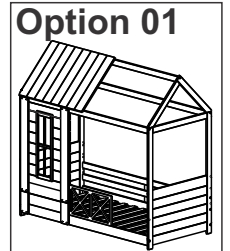
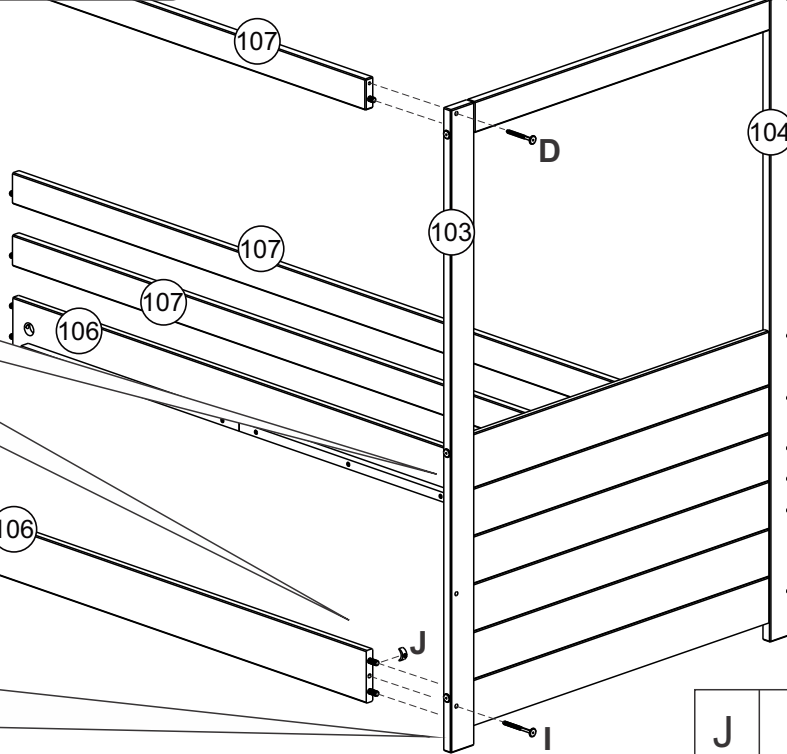
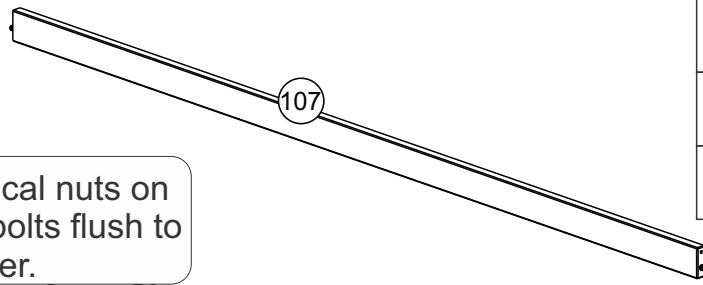
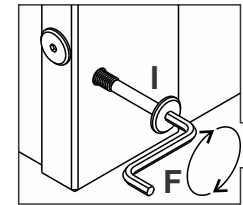
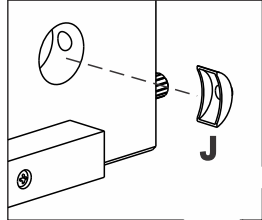
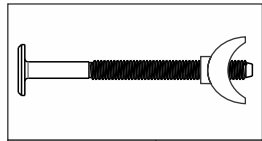





# 04

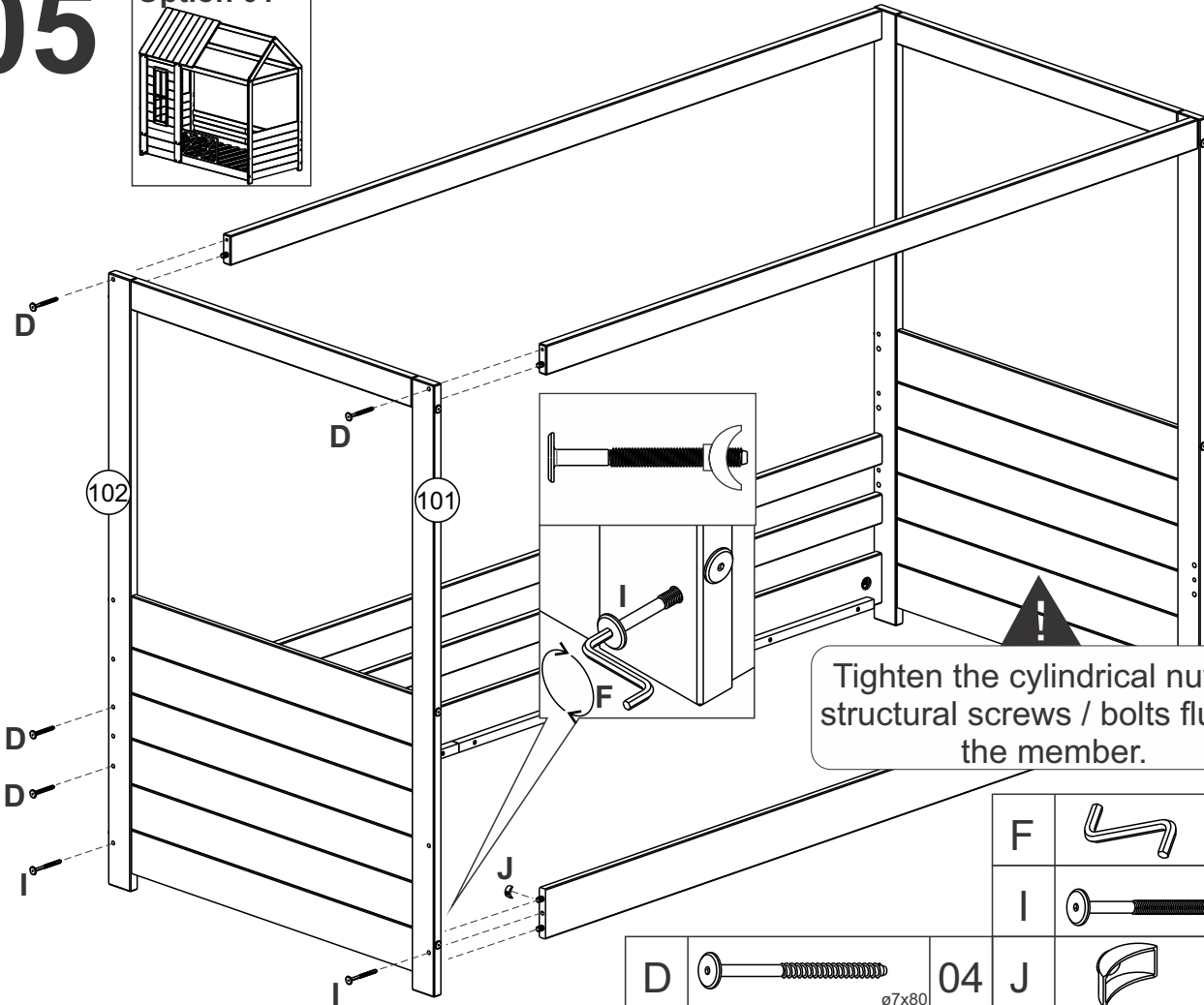
D		04
F		01
I		02

Tighten the cylindrical nuts on structural screws / bolts flush to the member.

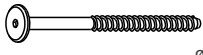





J		02
---	---	----

# 05



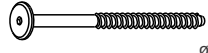


Tighten the cylindrical nuts on structural screws / bolts flush to the member.

D		04
---	--	----

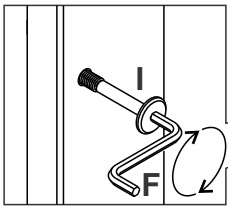
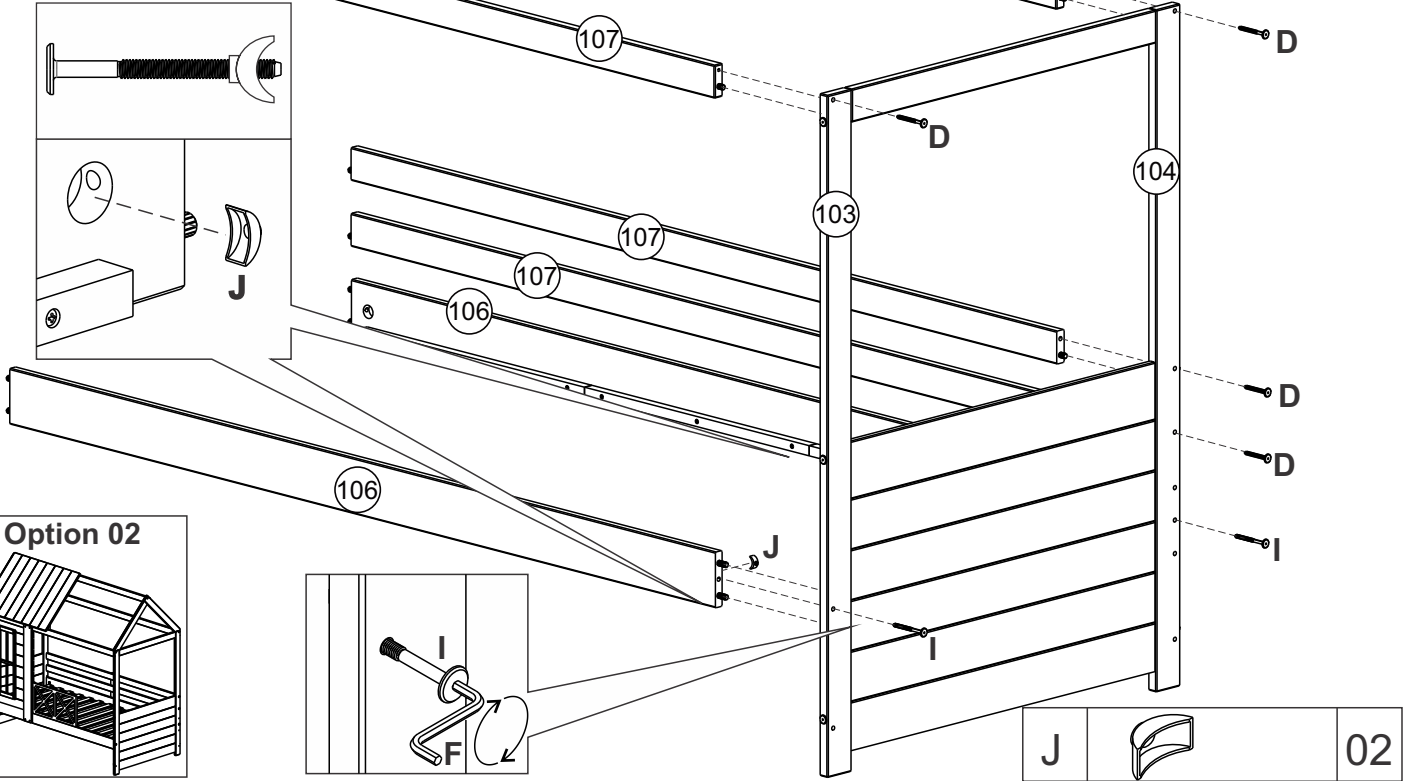
F		01
I		02
J		02

# 04.1

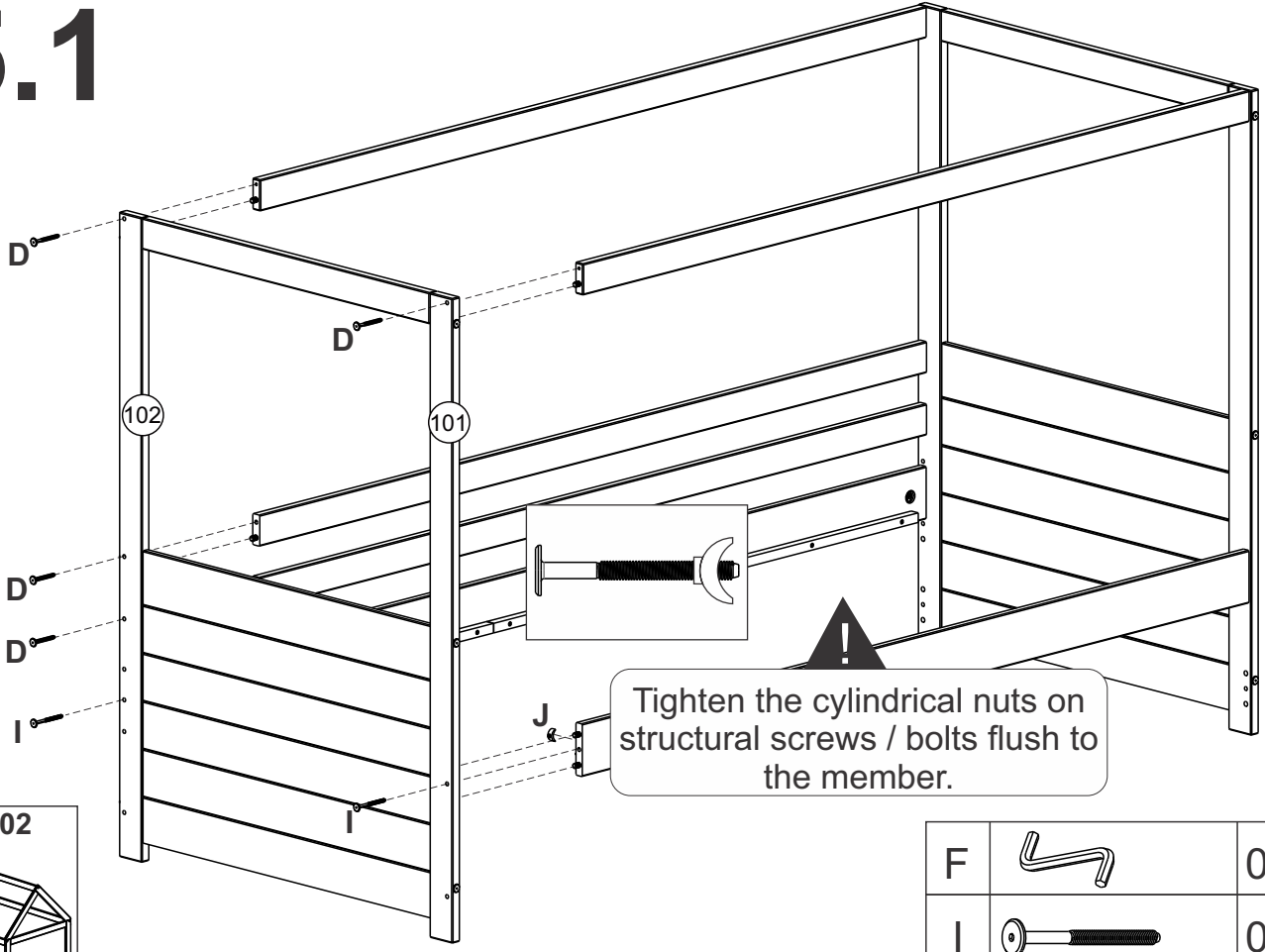


D		04 <small>ø7x80</small>
F		01
I		02 <small>ø1/4x100</small>

Tighten the cylindrical nuts on structural screws / bolts flush to the member.



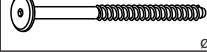



# 05.1

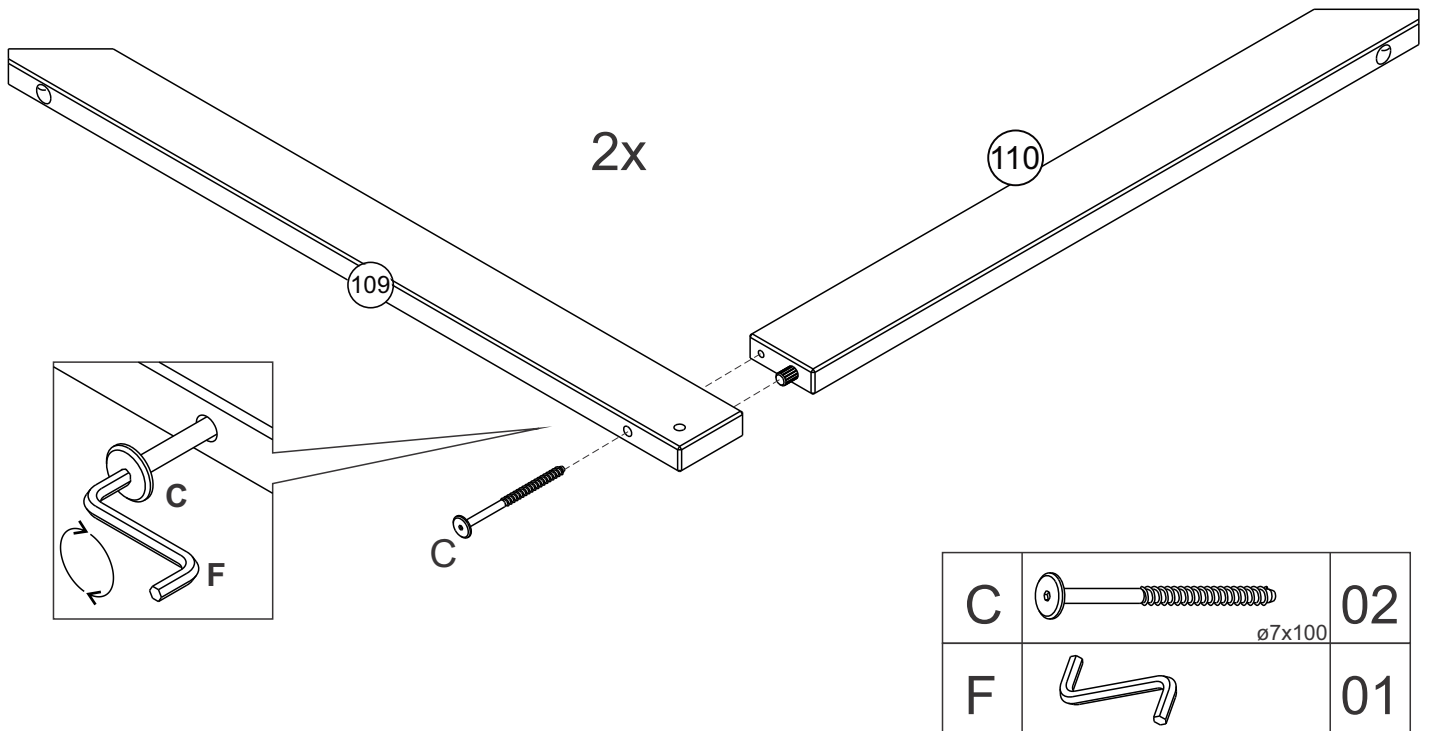


Tighten the cylindrical nuts on structural screws / bolts flush to the member.

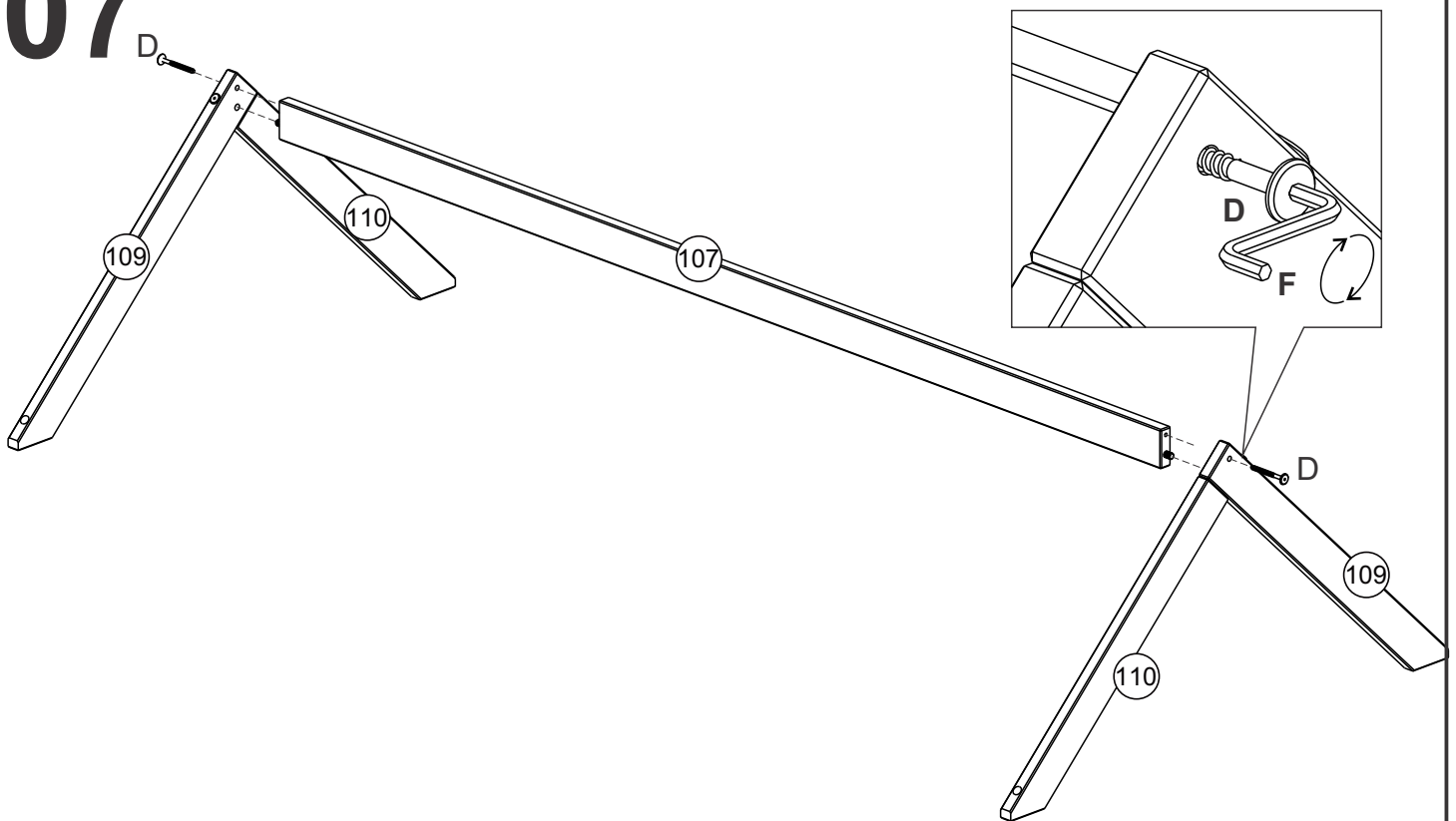


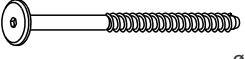

F		01
I		02 <small>ø1/4x100</small>
D		04 <small>ø7x80</small>
J		02

# 06

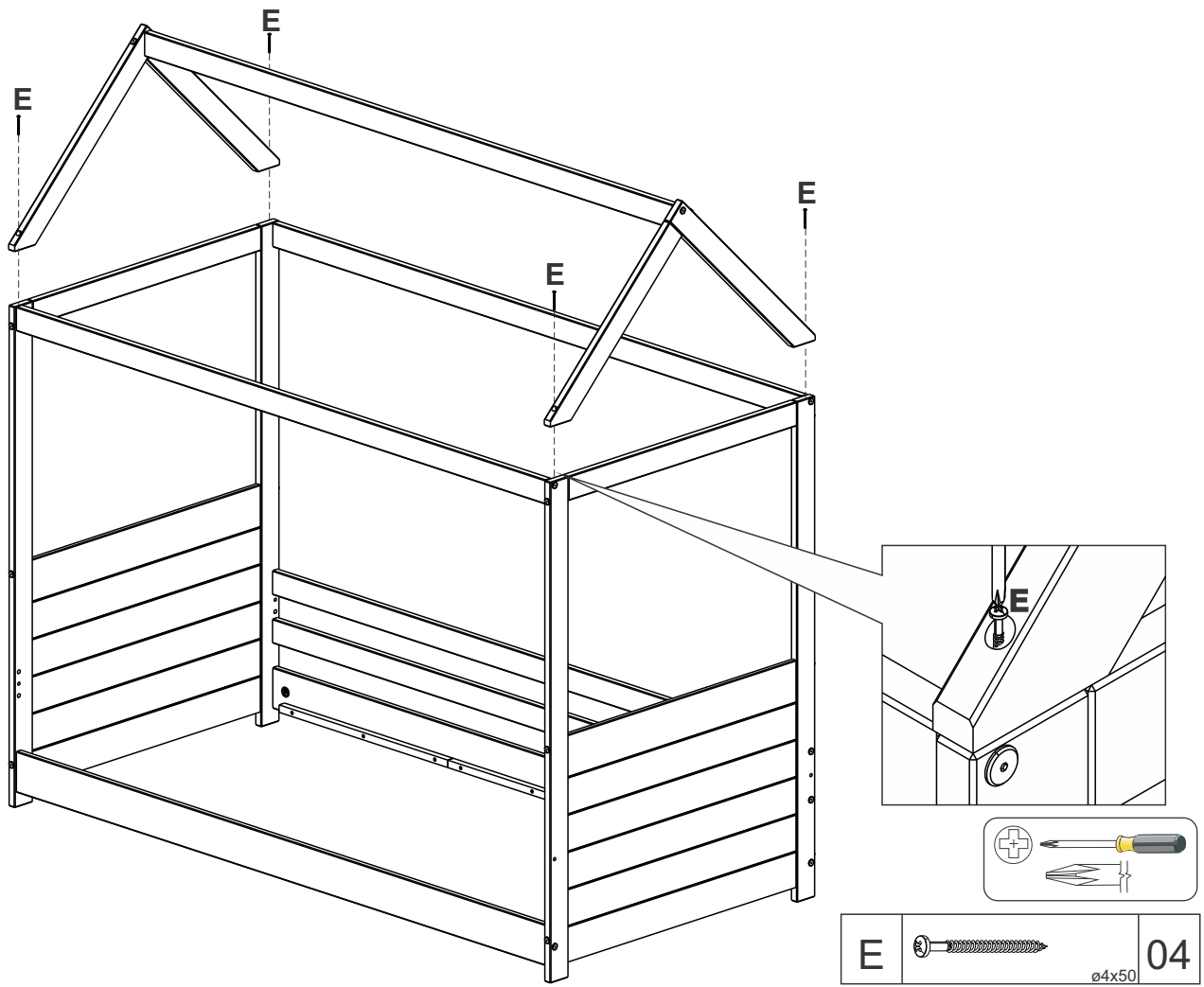


# 07

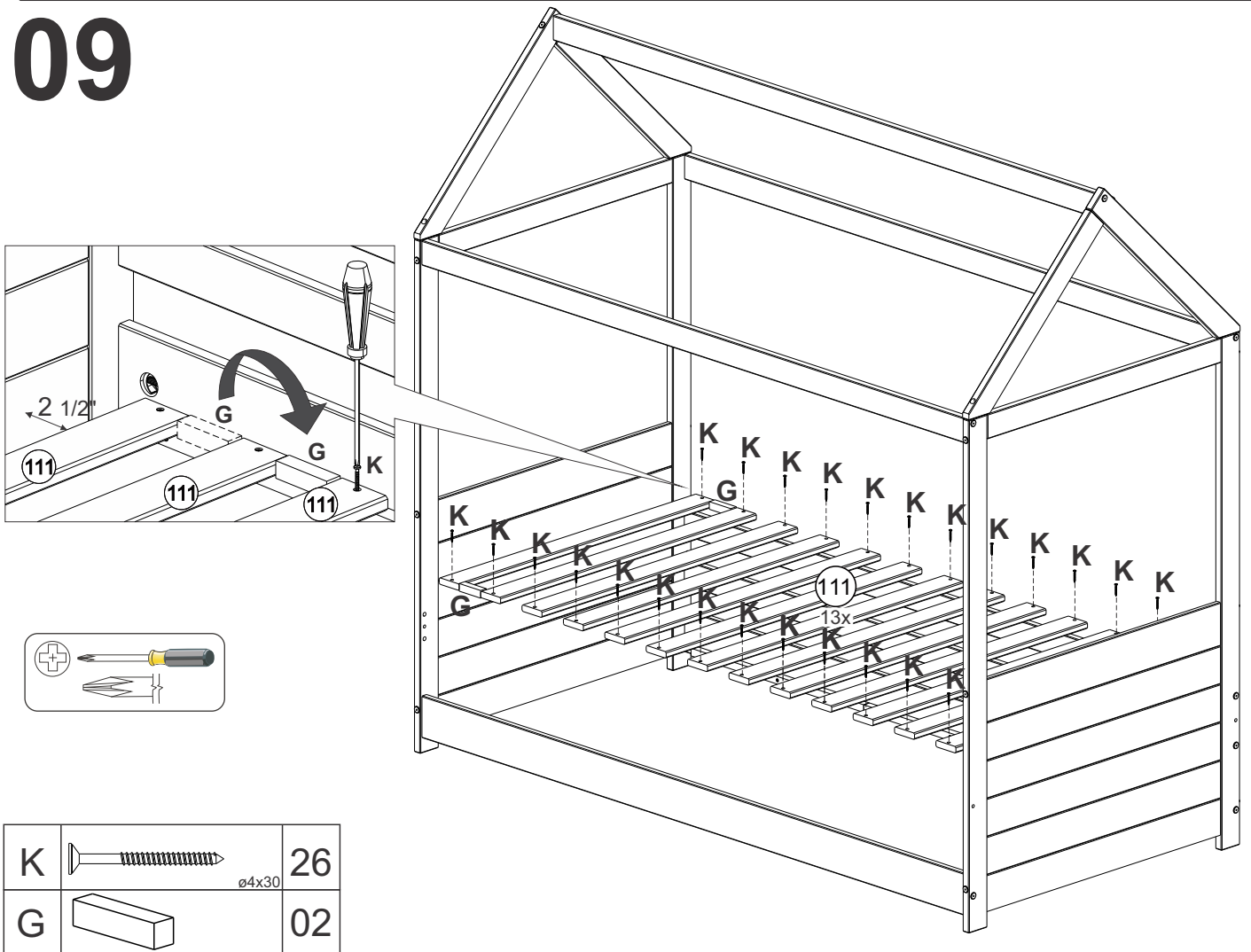




D	 ø7x80	02
F		01

# 08

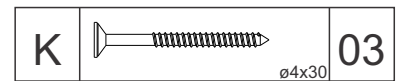
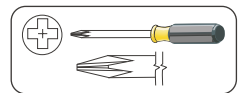
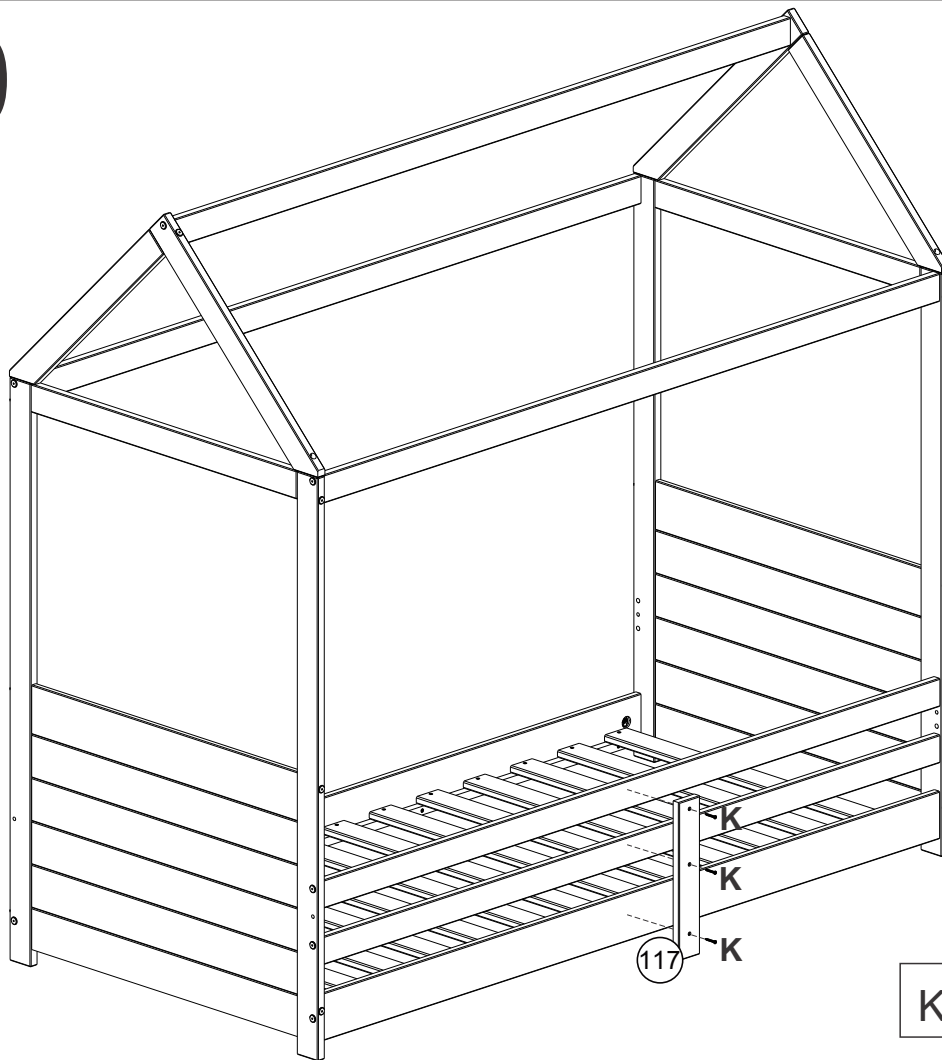


# 09

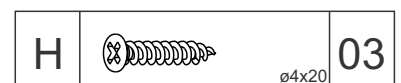
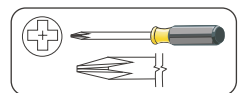
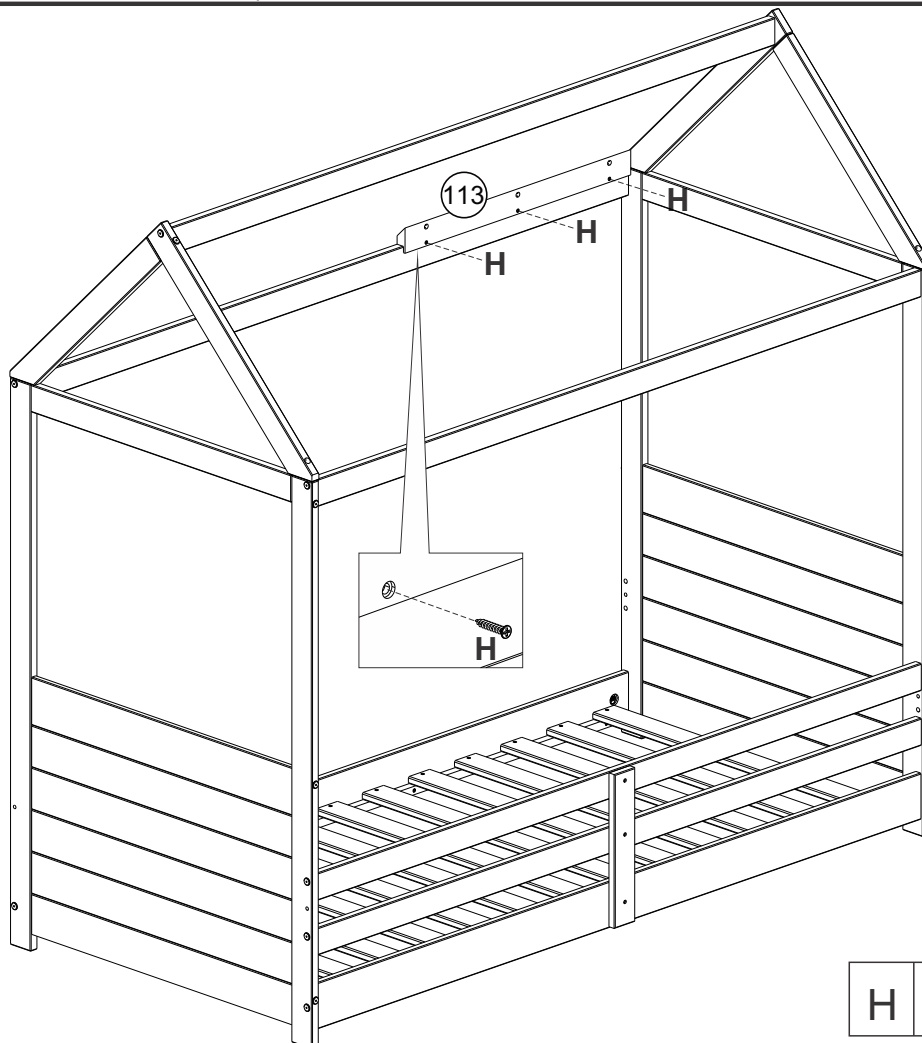


K		26
G		02

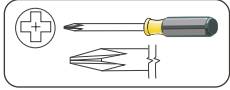
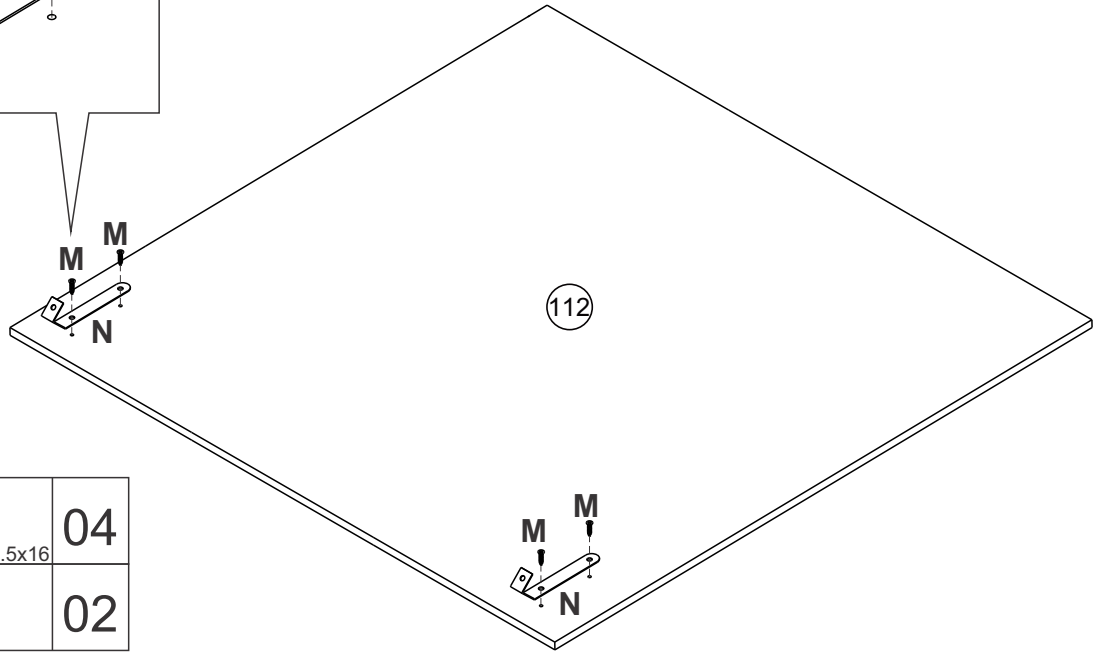
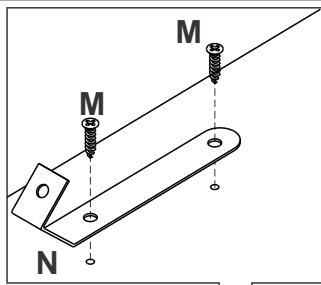
# 10





# 11

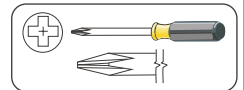
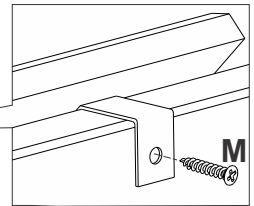
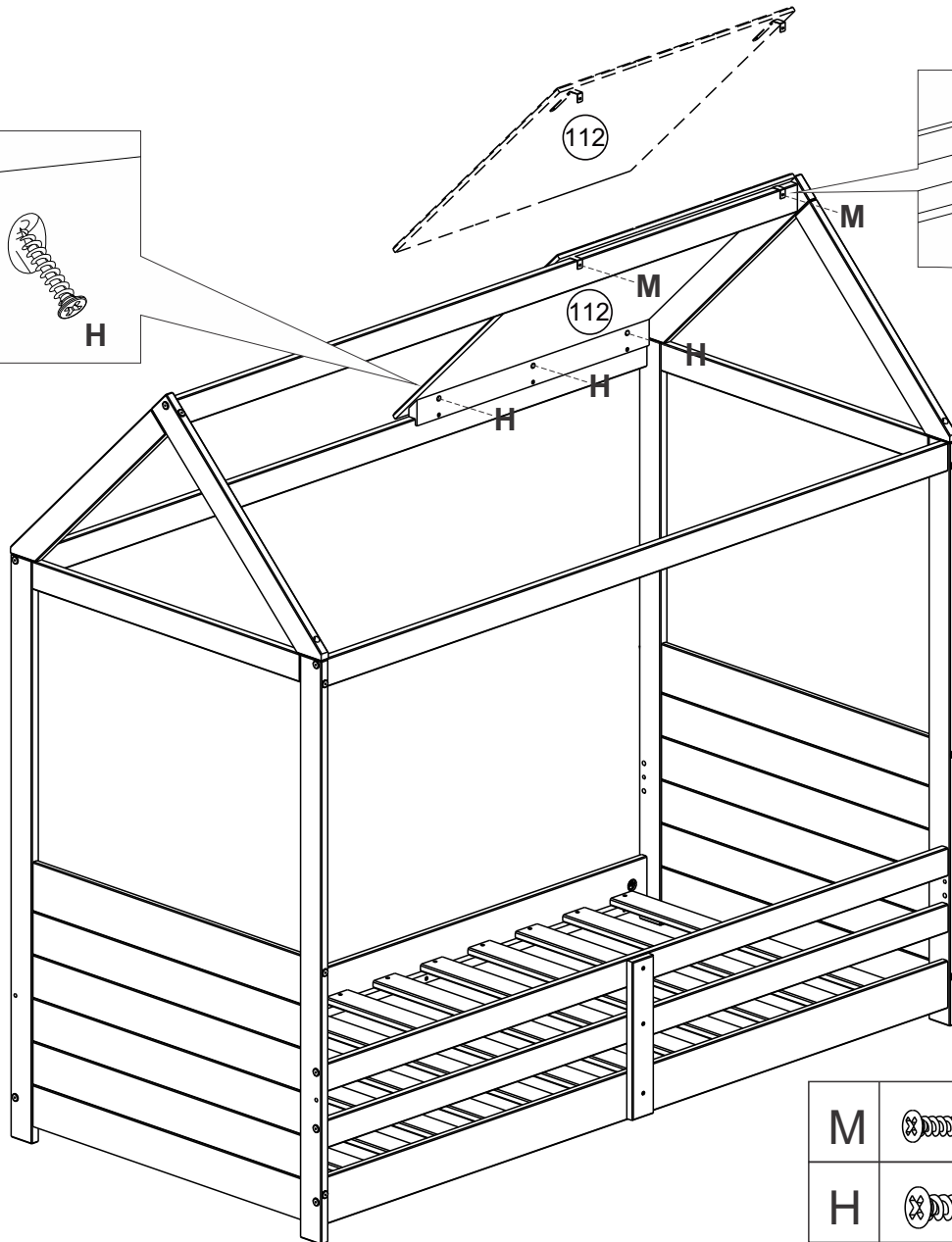
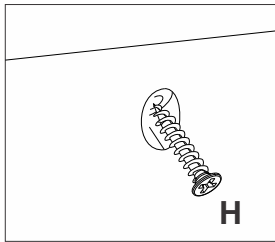




# 12



M		ø3.5x16	04
N			02

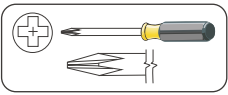
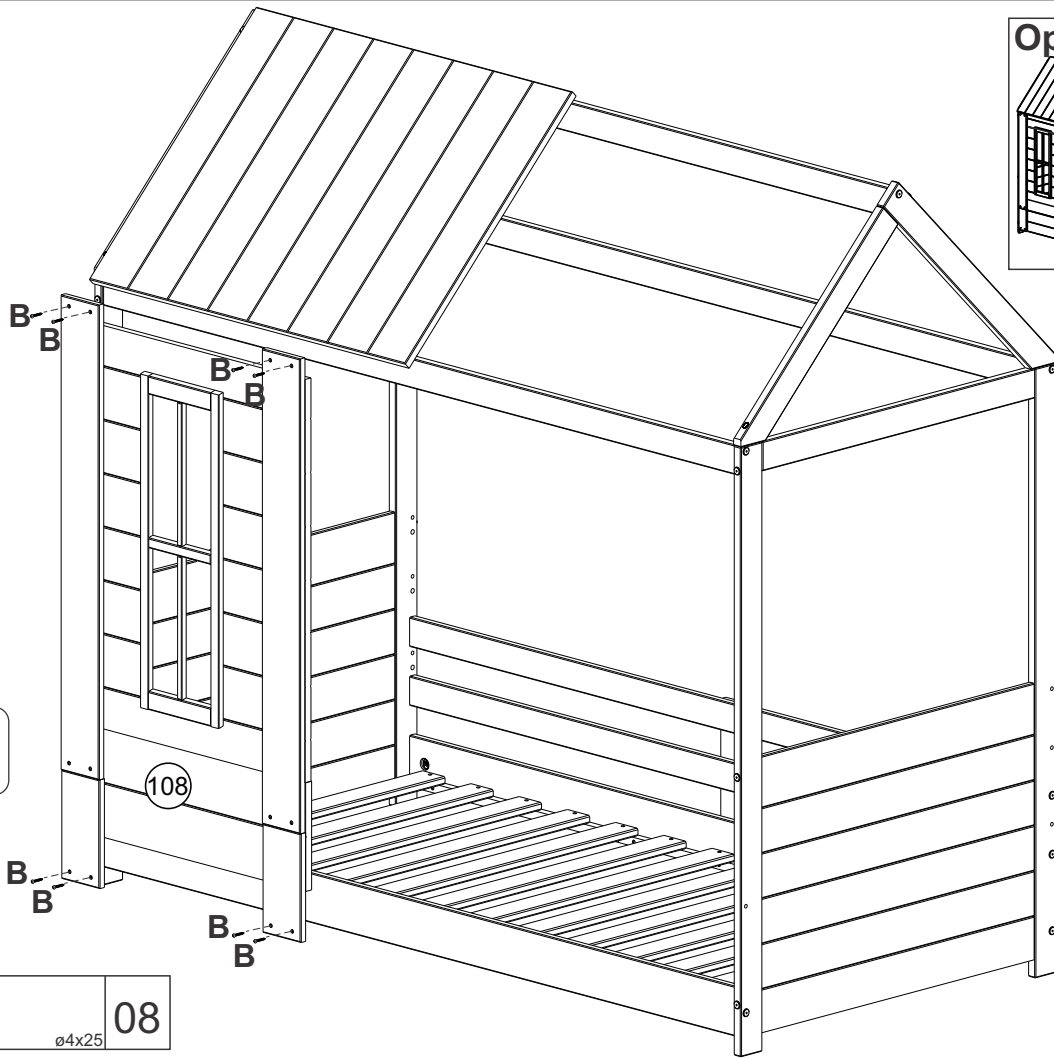
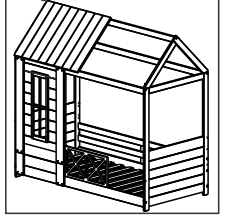
# 13




M		ø3.5x16	02
H		ø4x20	03

# 14

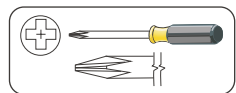
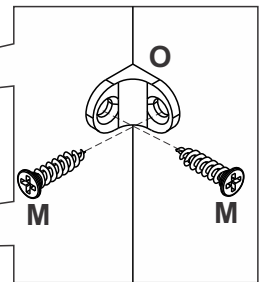
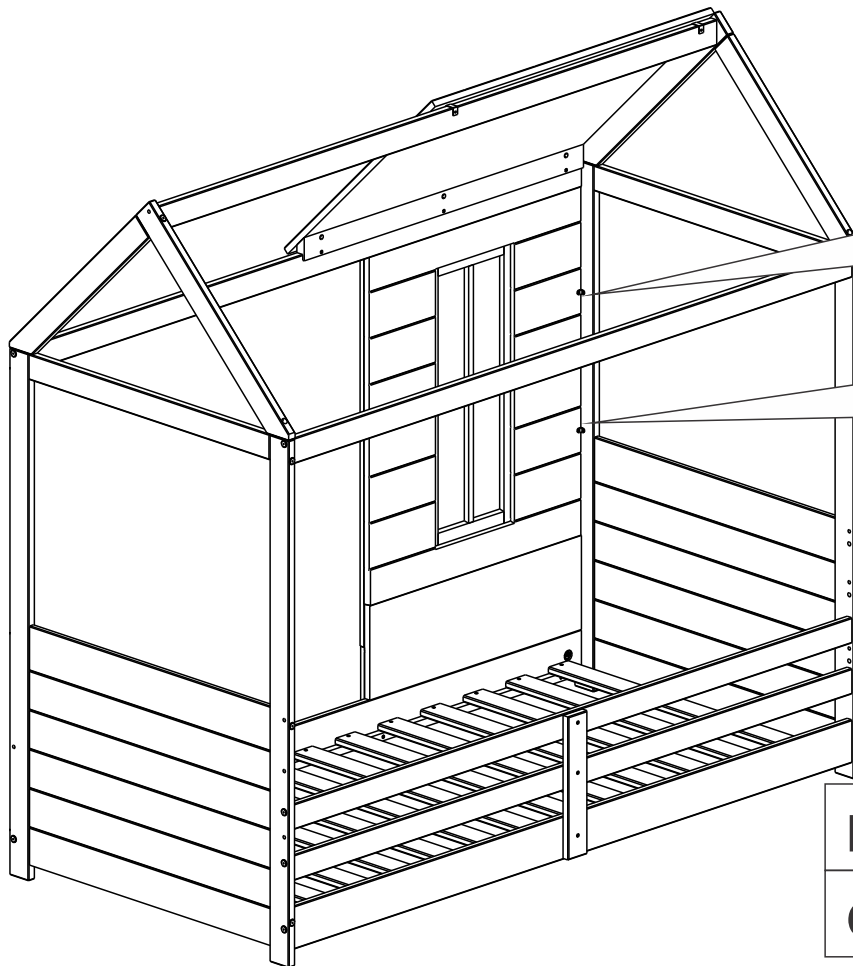
Option 01





B		08
		<small>ø4x25</small>

# 15

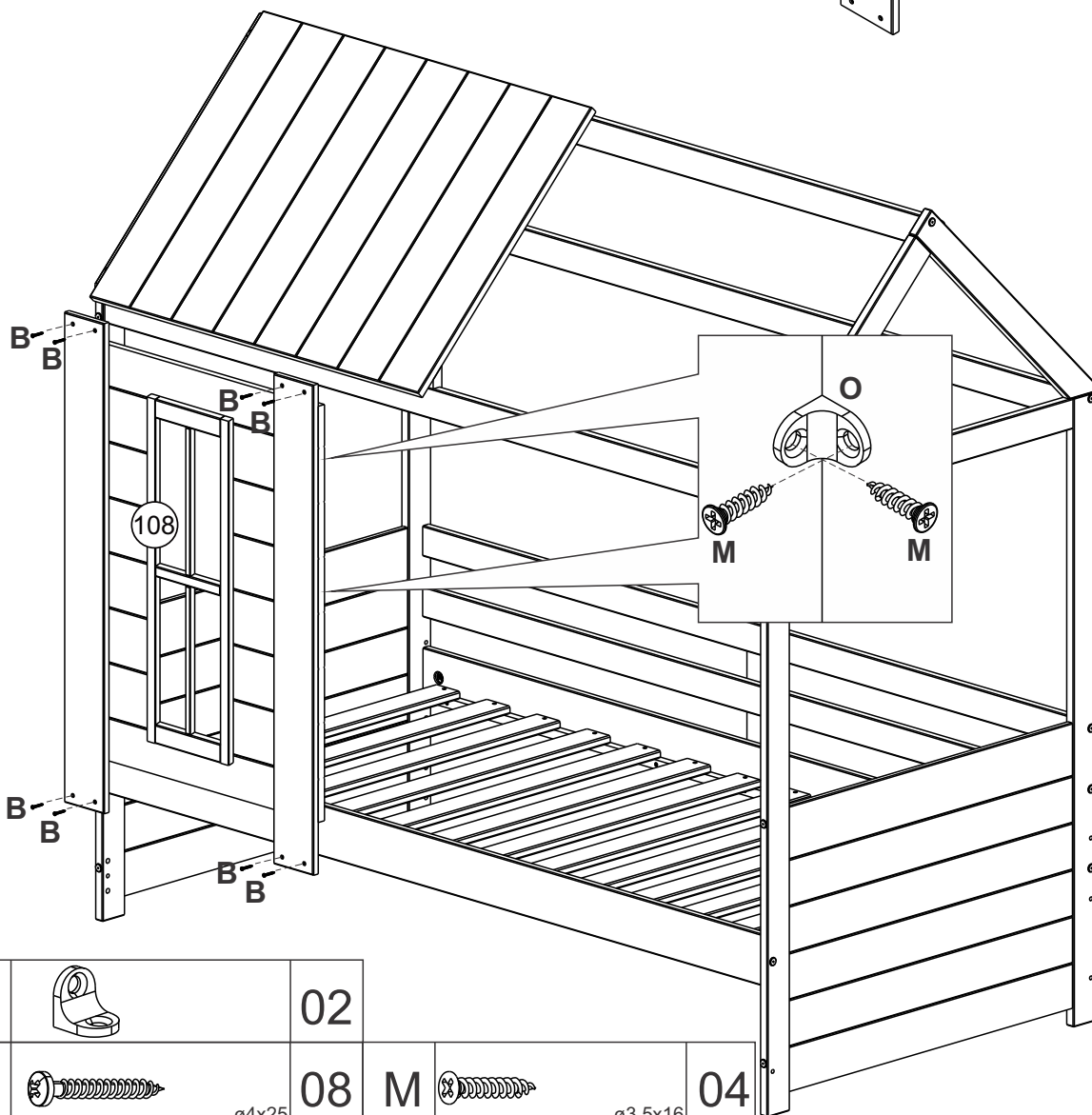
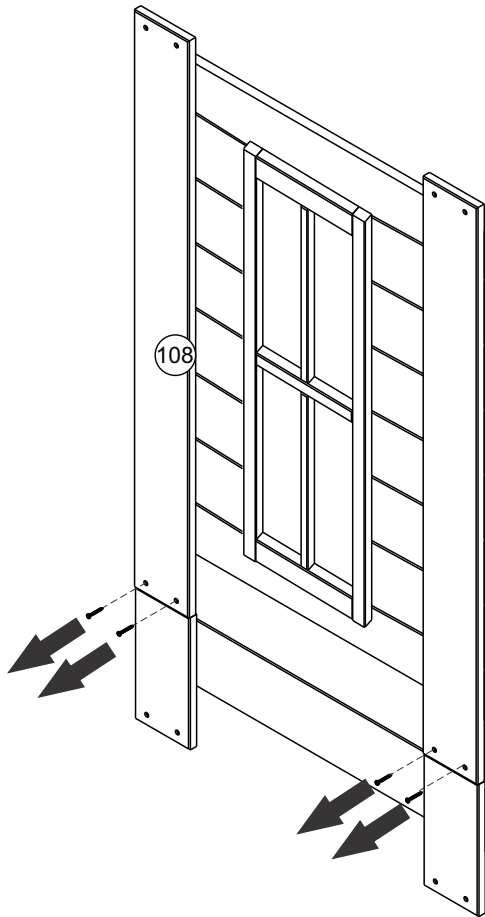
Option 01


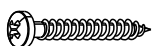
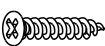


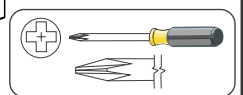
M		04
		<small>ø3.5x16</small>
O		02

# 15.1

Option 02

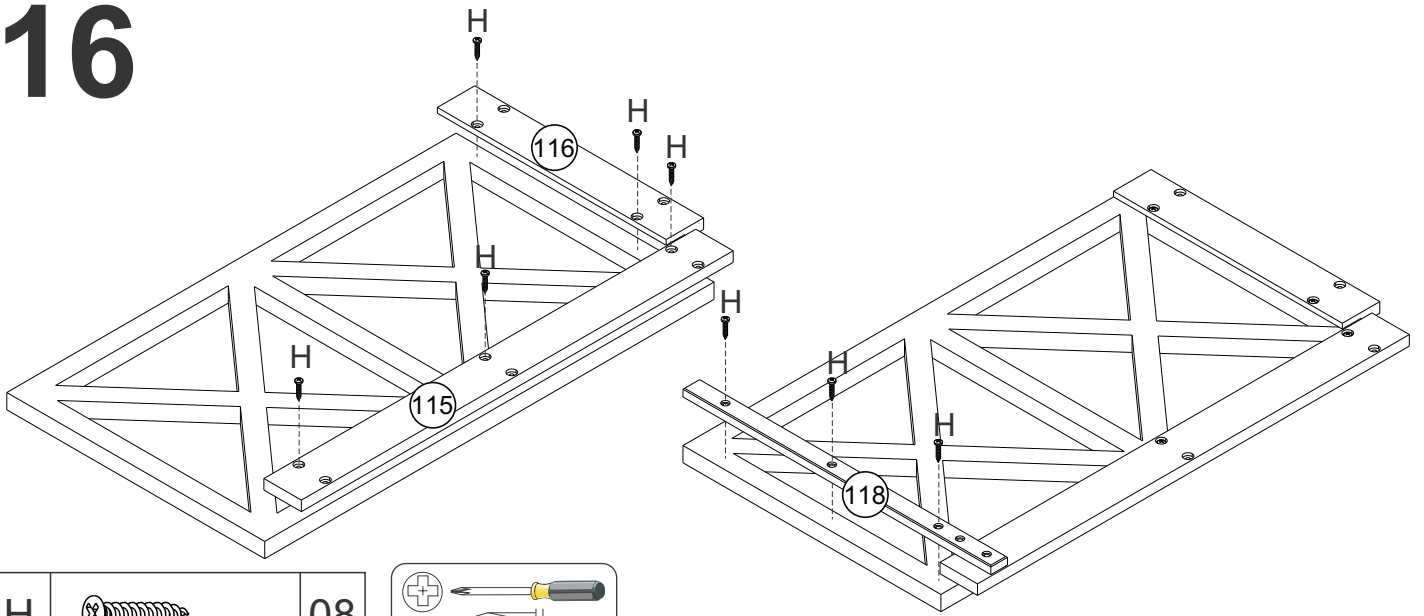



O		02			
B		08	M		04
		ø4x25			ø3.5x16

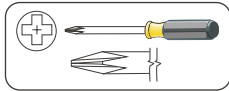




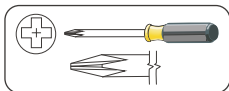
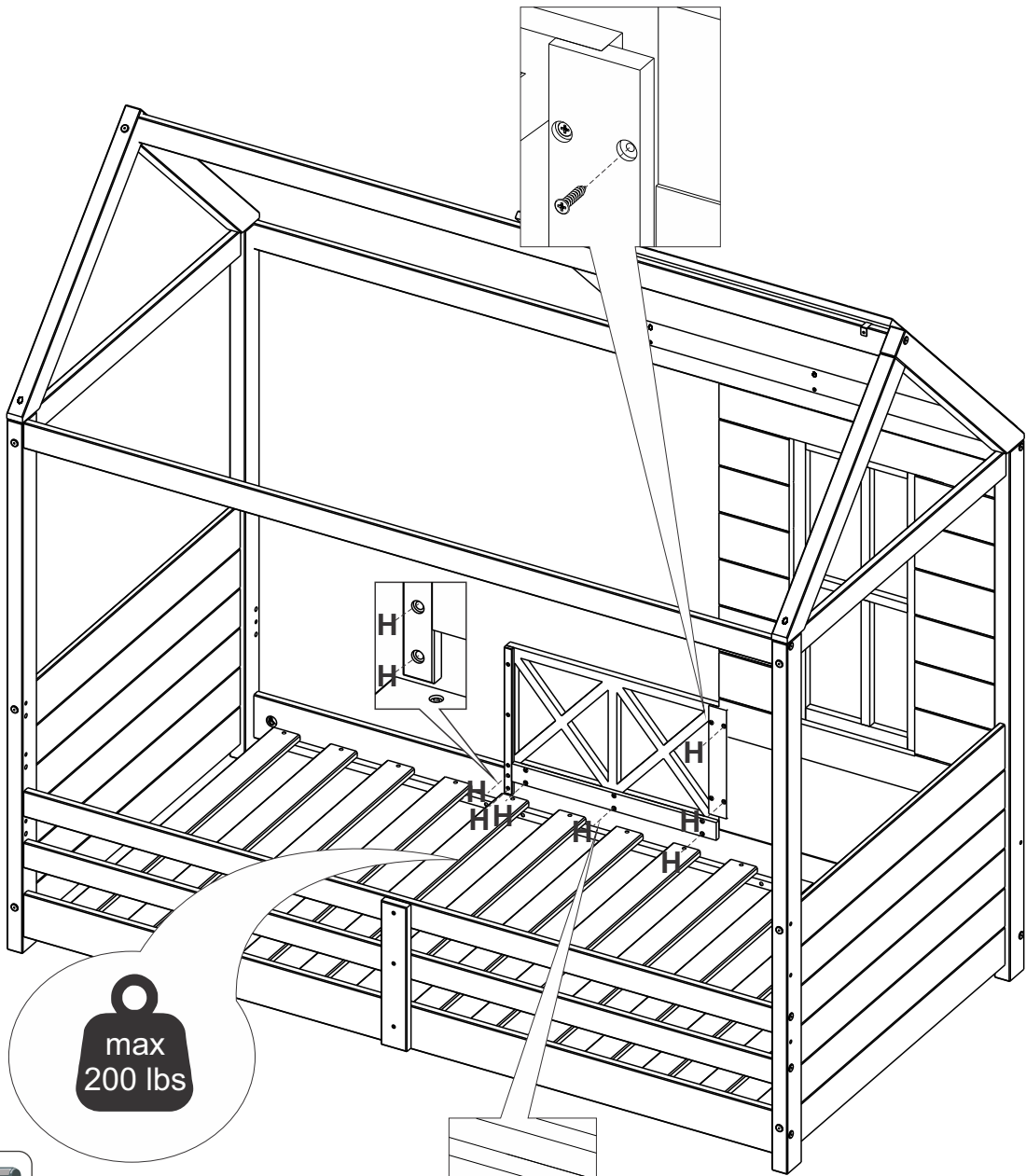
# 16

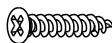


H		08
		ø4x20



# 17



H		07
		ø4x20

