

# REPLACEMENT PARTS

**Dear Customer,**

**If you have any questions or issues with your furniture, we will help you.**

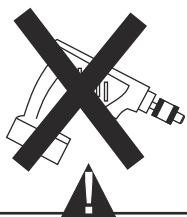
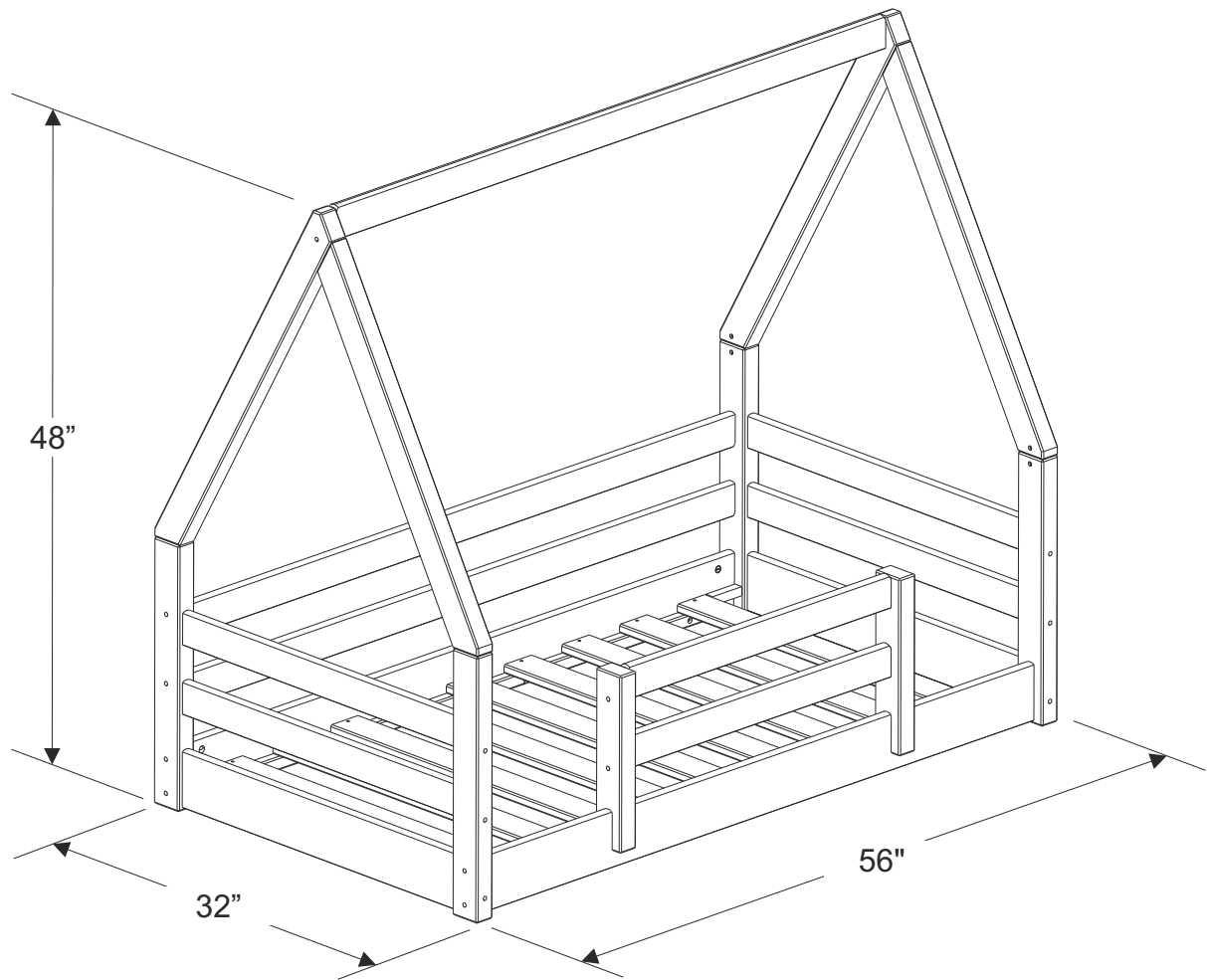
**For fastest service, please contact us via e-mail or phone call, we will ship the parts directly to you free of charge.**

**To speak with us:**

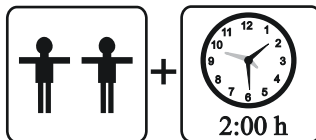
**E-mail: [service@themesandrooms.com](mailto:service@themesandrooms.com)**

**Call.: (866) 966- 6060 - Monday – Friday 9:00 am – 5:00 pm EST**

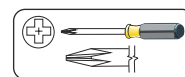
# TODDLER BED LITTLE CABAN TR1028



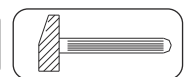
\* Use of power tool to assemble this product will invalidate any claim and damage this product making unsafe !!!  
\* Please assemble on a clean soft surface to avoid damage.



## Tools Required



(Not included)



(Not included)

# ASSEMBLY INSTRUCTIONS

## SAFETY WARNINGS!

- Failure to follow these warnings and the assembly instructions could result in serious injury or death.
- Read all instructions before assembling. Keep instructions for future use.
- Upon completion of assembly, make sure all screws, bolts and fasteners have been securely tightened.
- A frequent and periodically check should be made to confirm all the screws and nuts remain tight.
- Never use this product if there are any loose, missing fasteners, loose joints, broken parts, or torn mesh/fabric.

Contact us for replacement parts and instructional literature if needed.

- Never substitute parts, the product including side rails, must be fully erected prior to use.
- Never use bed for infants, this toddler bed is not a substitute for a crib, the toddler bed is used for a child between the age of 15 months to 5 years with a maximum weight of 50 pounds (22.7kg).
- Never use plastic shipping bag or other plastic film as a mattress covers not sold and intended for that purpose, they can cause suffocation.
- Caution entrapment hazard: to avoid dangerous gaps, any mattress used in this bed shall be full size crib mattress at least 51 5/8 in (1310mm) in length, 27 1/4 in (690mm) in width and 5 in (127mm) in thickness, or greater, but not exceed 6 in. (150mm).

- Never use a water mattress with this toddler bed.

- **Warning** strangulation hazard: strings can cause strangulation!

Never place bed near window where cords from blinds or drapes may strangle a child. Never suspend strings over bed.

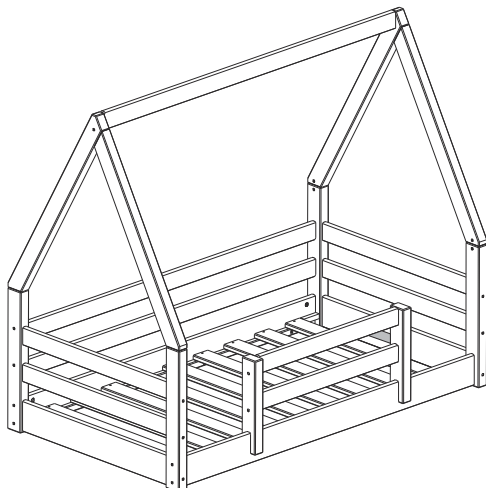
Never place items with a string cord, or ribbon, such as hood strings, pacifier cords around a child's neck. These items may catch on bed parts.

- **Warning:** infants have died in toddler beds from entrapment. Openings in and between bed parts can entrap head and neck of a small child. Never use bed with children under 15 months. Always follow the assembly instructions.

- To reduce the risk of SIDS, pediatricians recommend healthy infants be placed on their back to sleep, or advised by your physician.

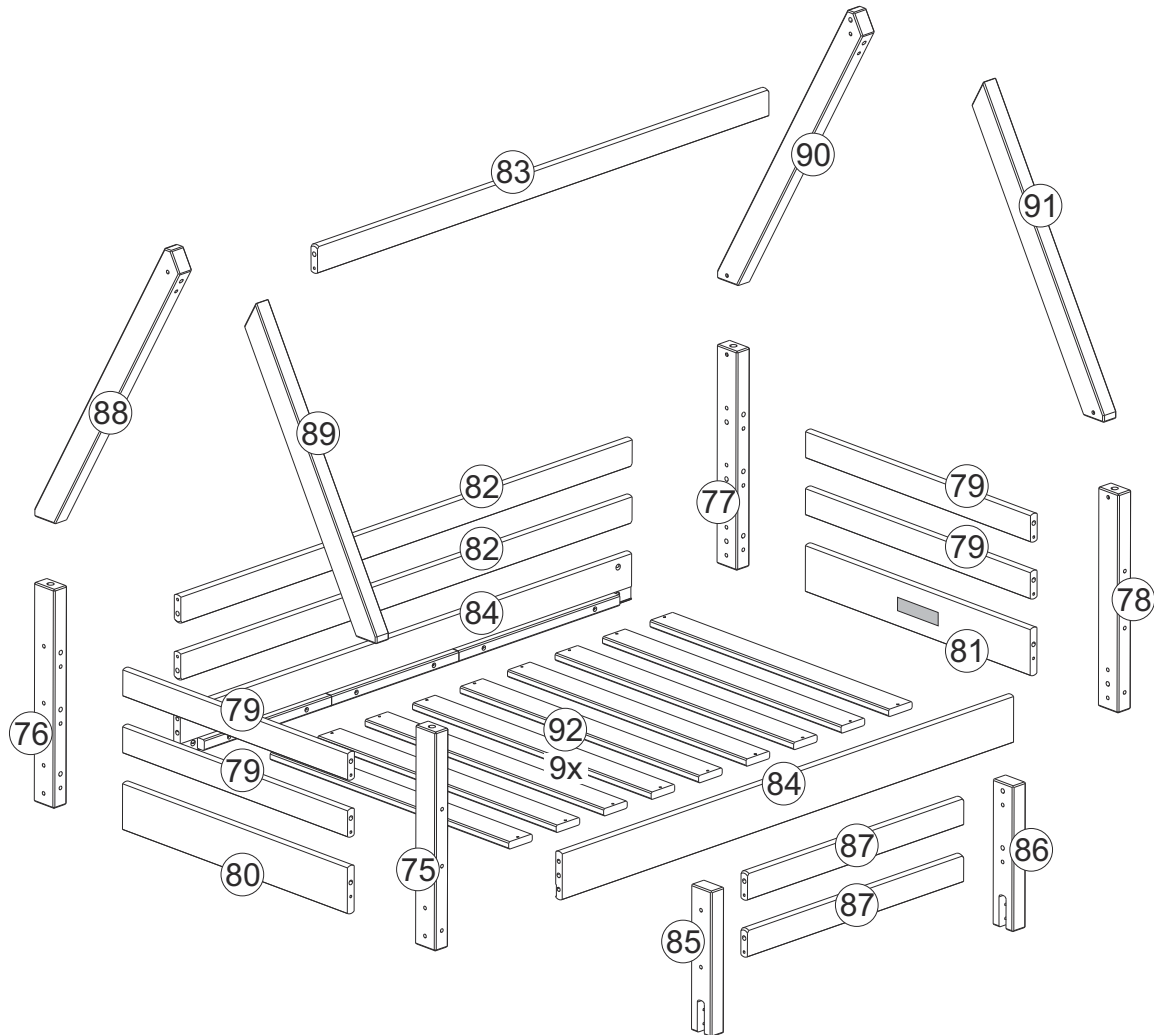
- Do not use bed if the space between bed and solid objects is less than 12in(31cm), a child could slide into the space and suffocate.

- If refinishing, use a non-toxic finish specified for children's products. To wash, clean with mild soap and damp cloth. To store, please keep in a cool place.



**IMPORTANT: PLEASE READ INSTRUCTIONS BEFORE STARTING THE ASSEMBLY**

# PART LIST



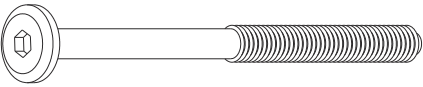

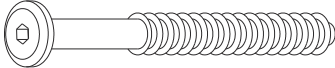
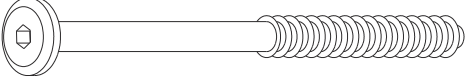
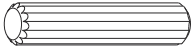
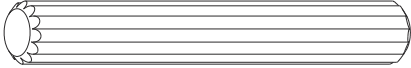

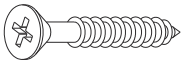
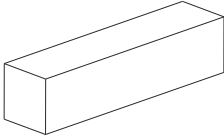

## BOX 1/1

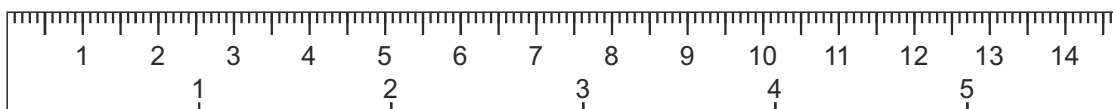
- (75) (76) (77) (78) (79) 4x (80) (81) (82) 2x (83) (84) 2x (85) (86) (87) 2x (88) (89) (90) (91)  
 (92) 9x



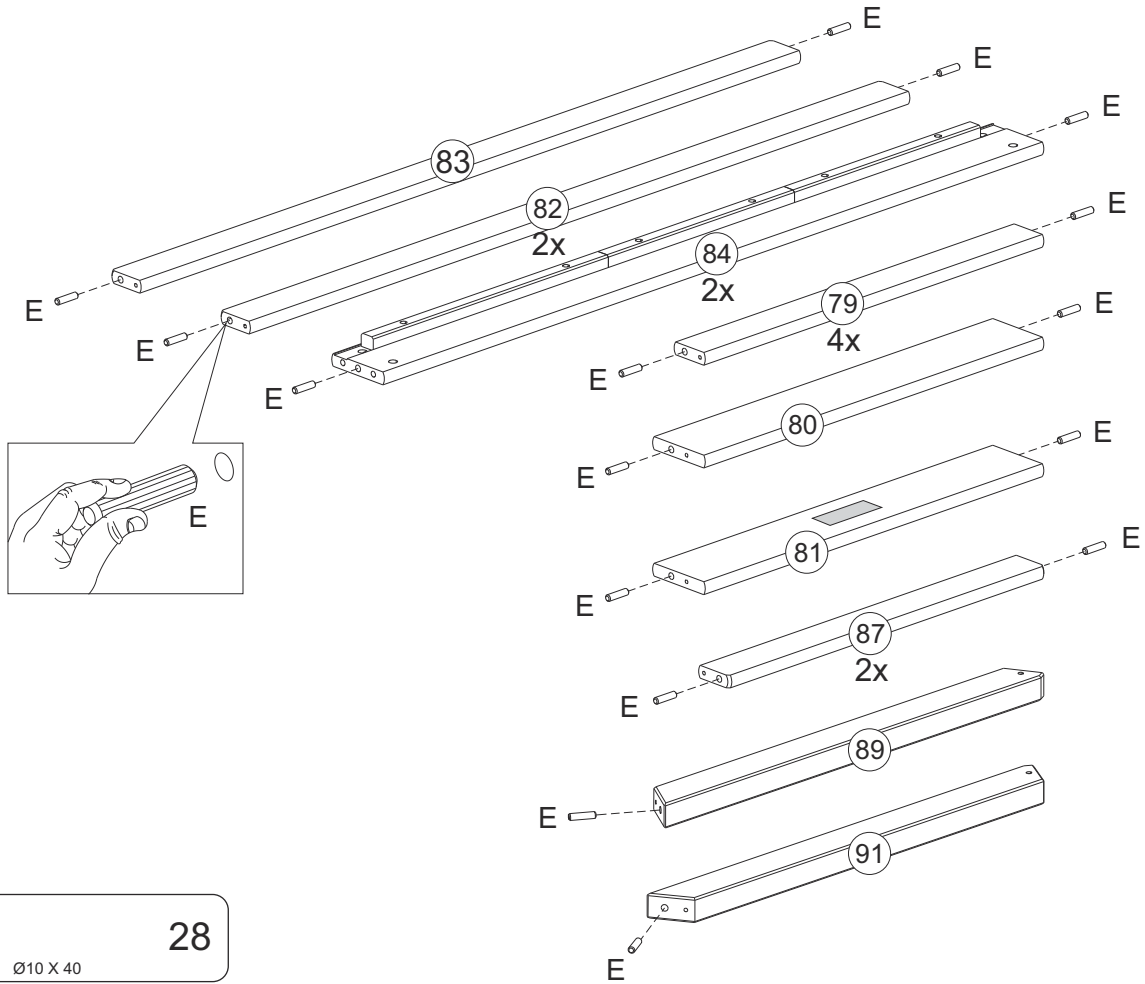
### Environmental Responsibility

All wood used in our products comes from reforestation planted areas, without use of native forest.

<b>A</b>		Structural screw Parafuso estrutural Tornillo estructural	1/4 X 90	<b>08</b>
<b>B</b>		Cylindrical nut Porca cilíndrica Tuerca cilíndrica	1/4	<b>08</b>
<b>C</b>		Structural screw Parafuso estrutural Tornillo estructural	7 X 80	<b>10</b>
<b>D</b>		Structural screw Parafuso estrutural Tornillo estructural	7 X 100	<b>14</b>
<b>E</b>		Wooden dowel / Cavilha / Taquete	Ø10 X 40	<b>28</b>
<b>F</b>		Wooden dowel / Cavilha / Taquete	Ø15 X 90	<b>04</b>
<b>G</b>		Flat head screw Parafuso cabeça chata Tornillo de cabeza plana	4,0 X 35	<b>22</b>
<b>H</b>		Flat head screw Parafuso cabeça chata Tornillo de cabeza plana	4,0 X 30	<b>08</b>
<b>I</b>		Spacer	71mm	<b>02</b>
<b>J</b>		Allen key / Chave allen / Liave allen		<b>01</b>

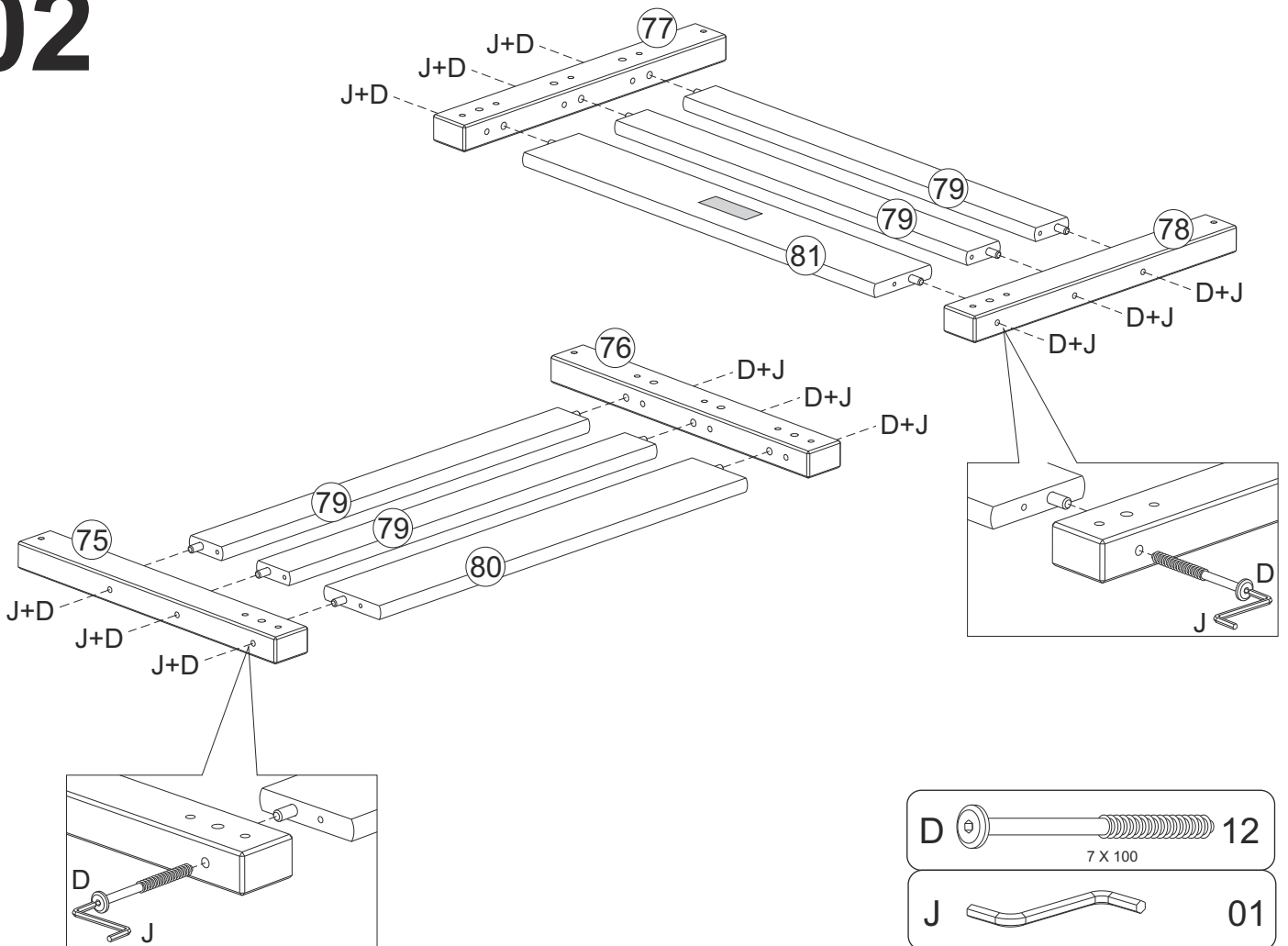


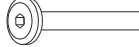
# 01




E  28  
 Ø10 X 40

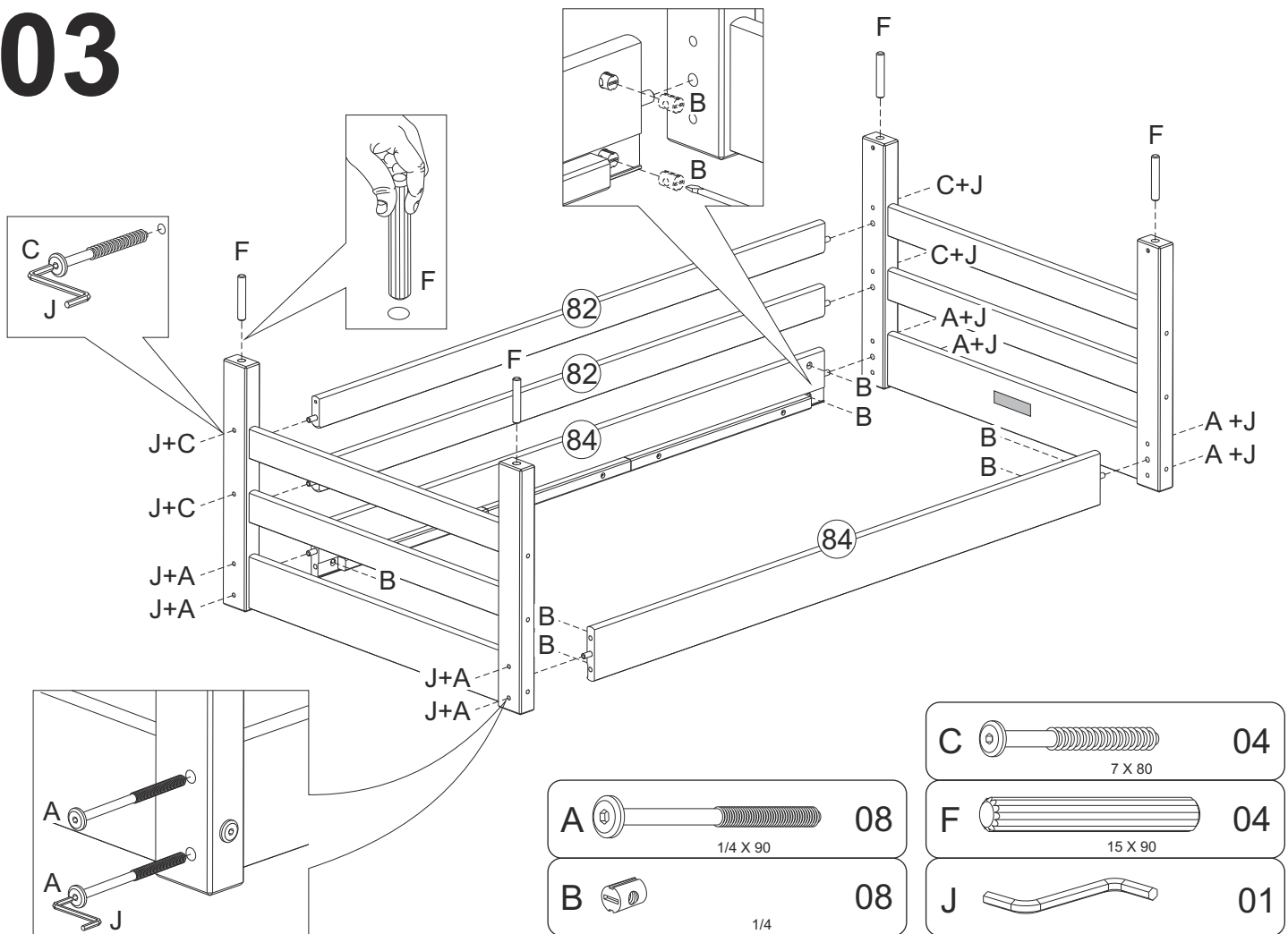
# 02



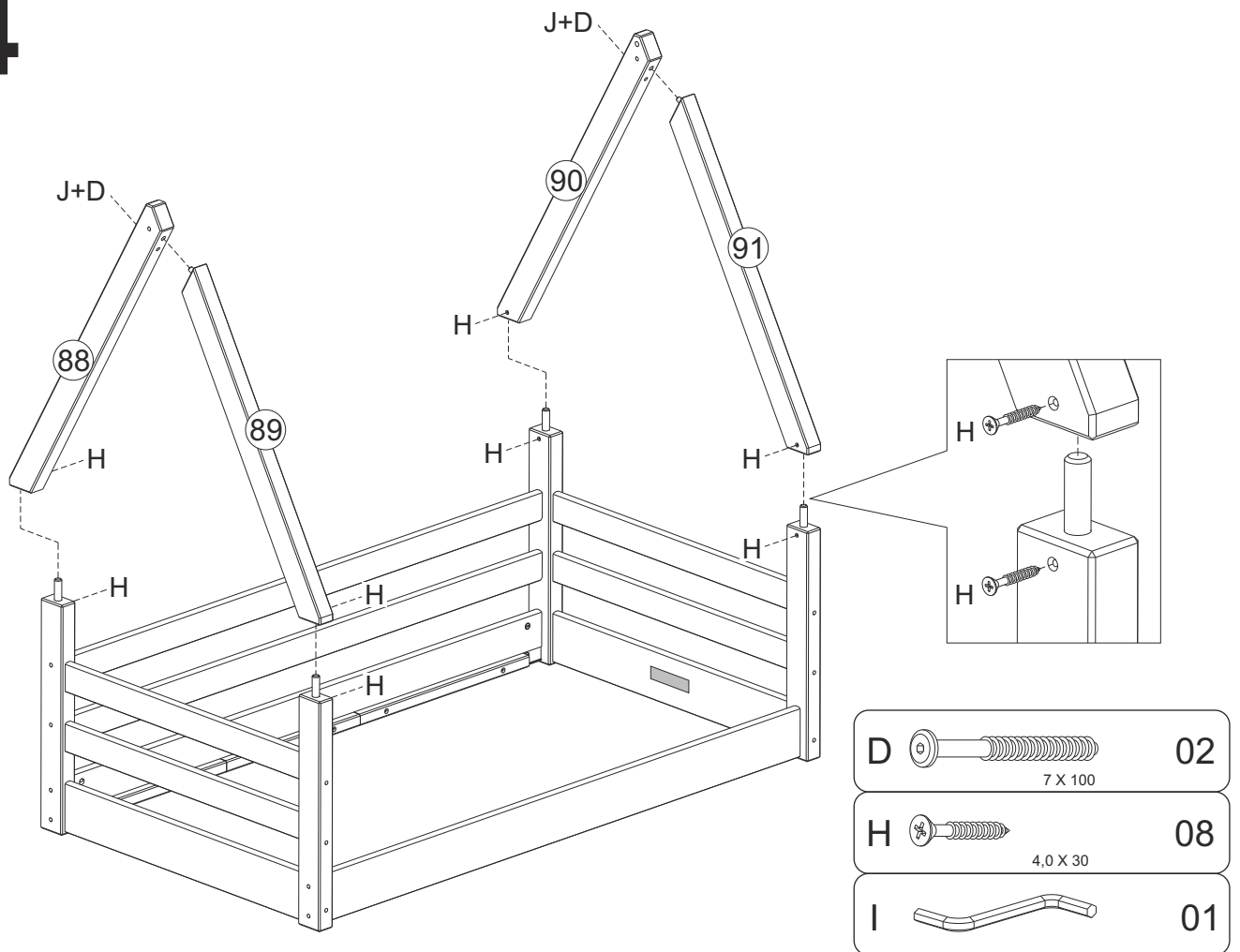
D  12  
 7 X 100

J  01

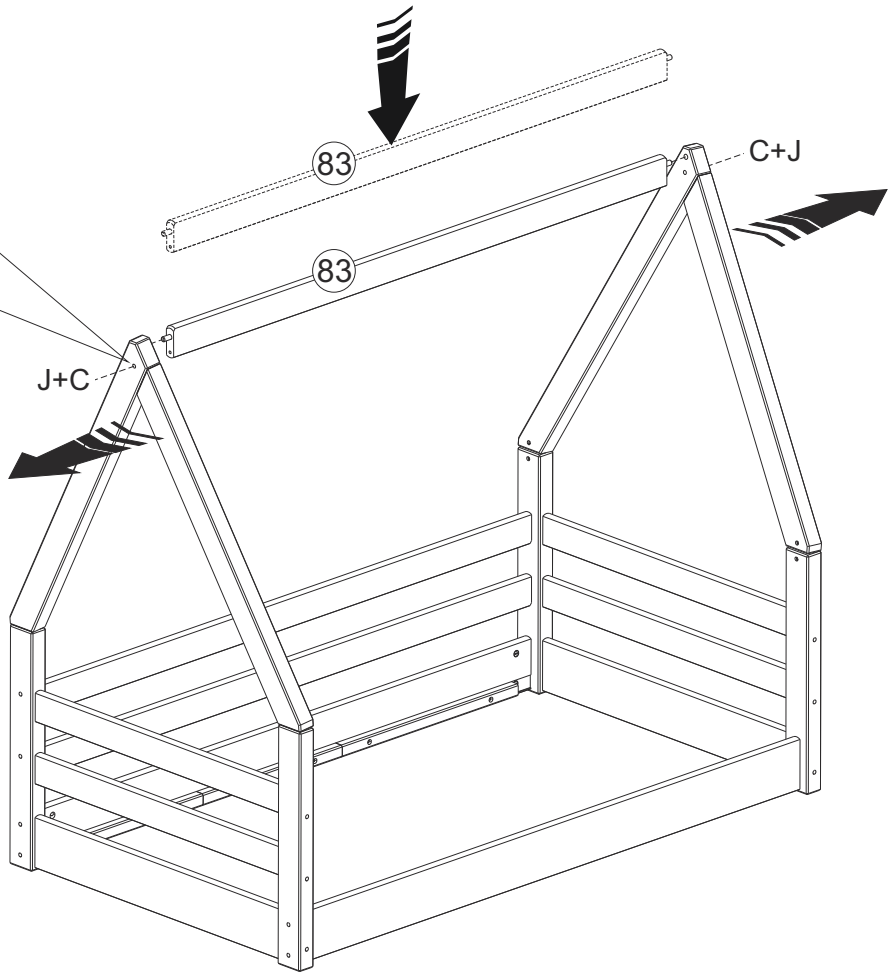
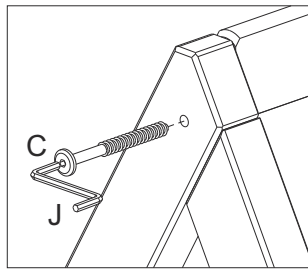
# 03





# 04

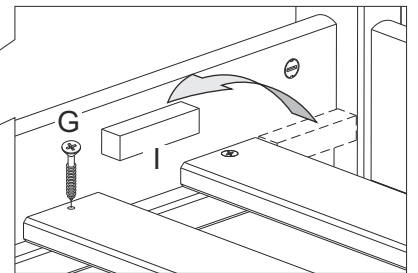
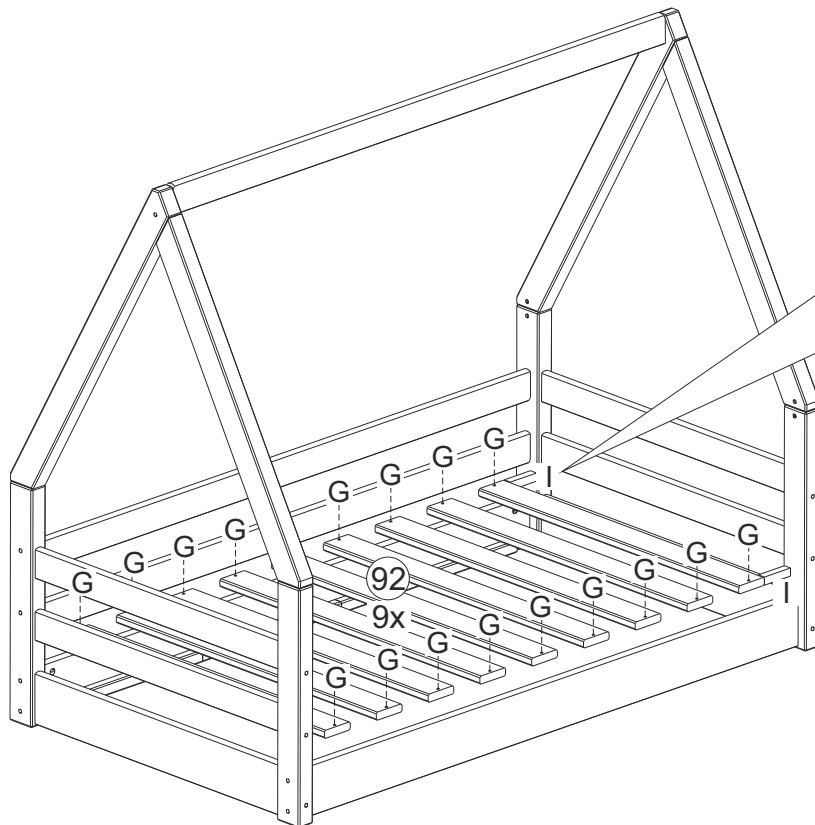



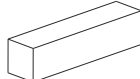
# 05



C		02
7 X 80		
J		01

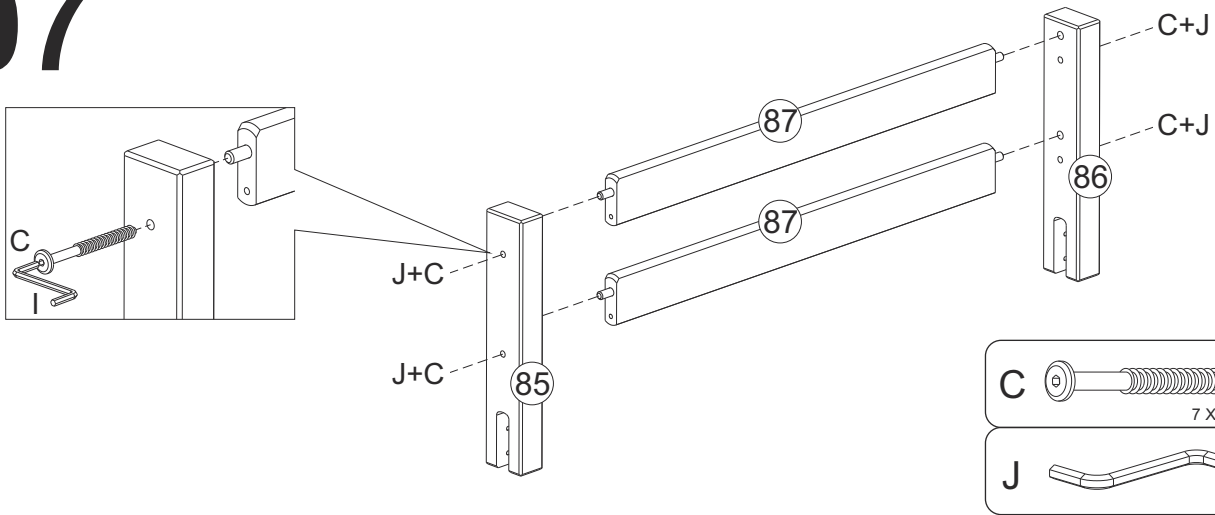
# 06



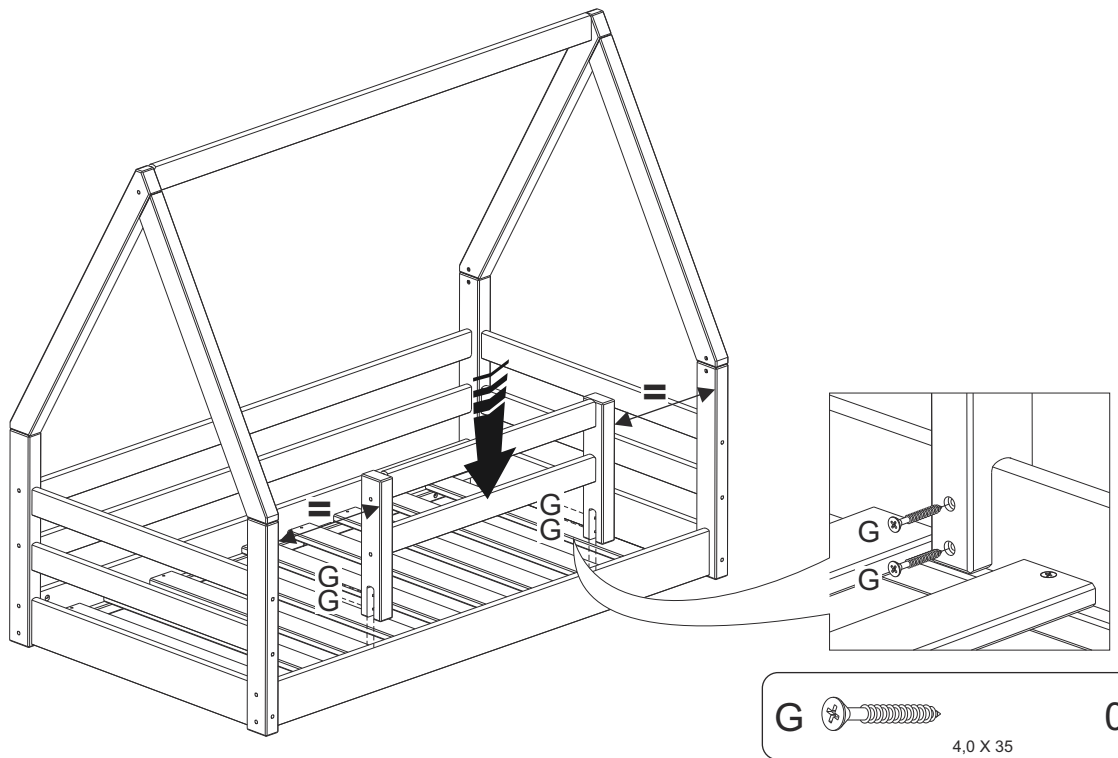
G		18
4,0 X 35		
I		02
71mm		



# 07



# 08



# 09

