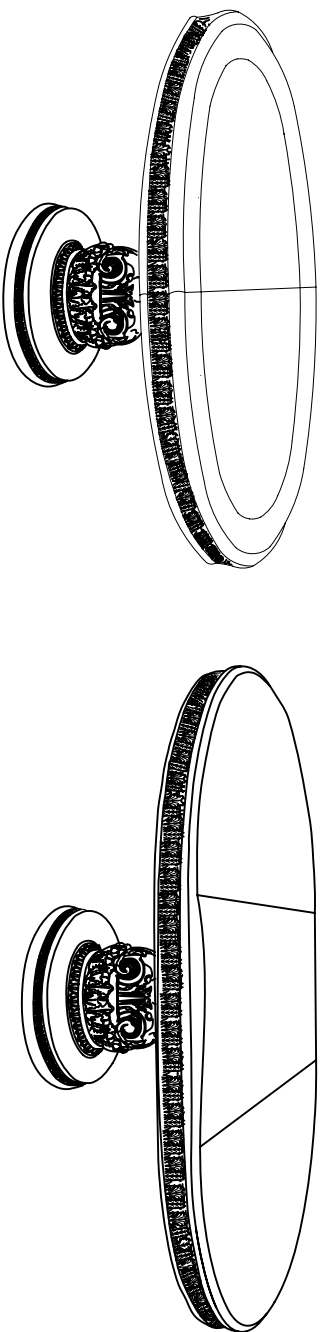


Step 2

Figure 1



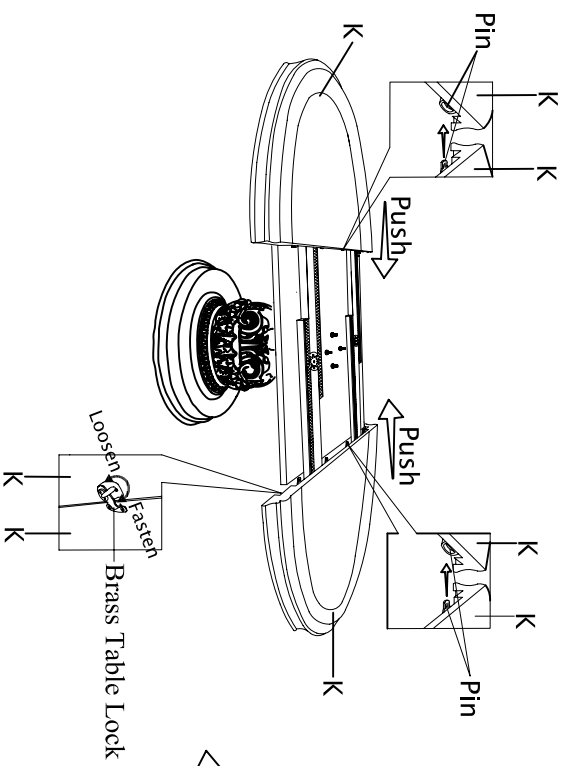
Option A: Round Dining Table

Option B: Oval Dining Table

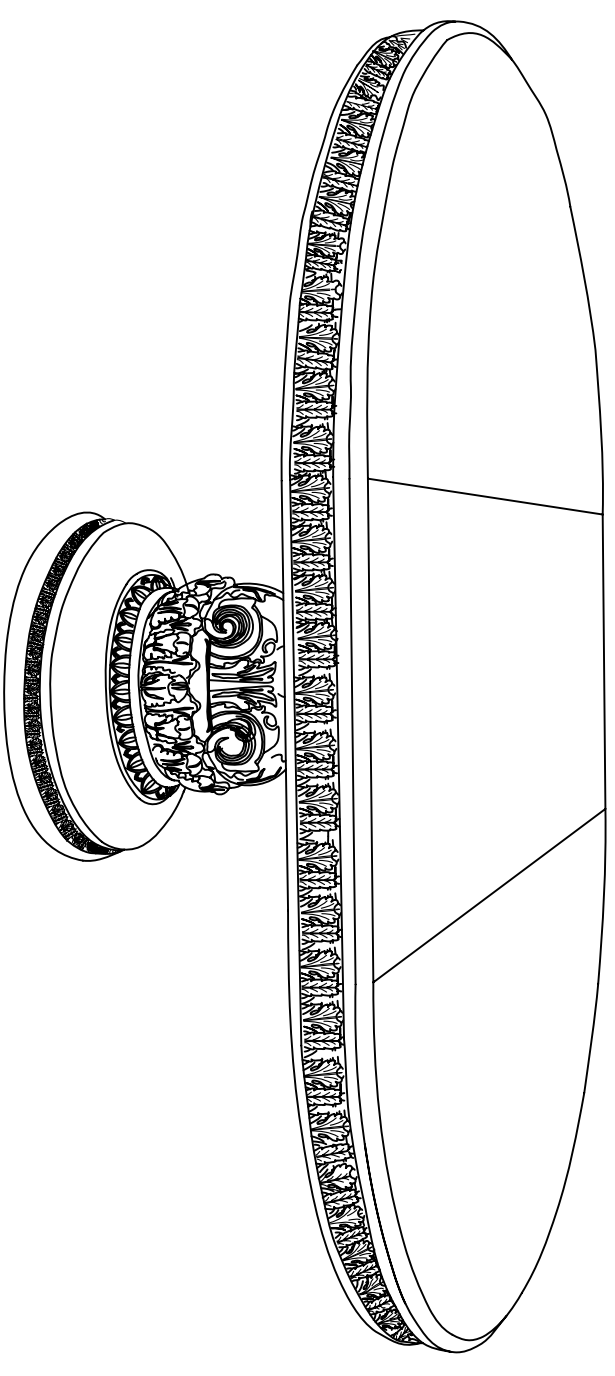
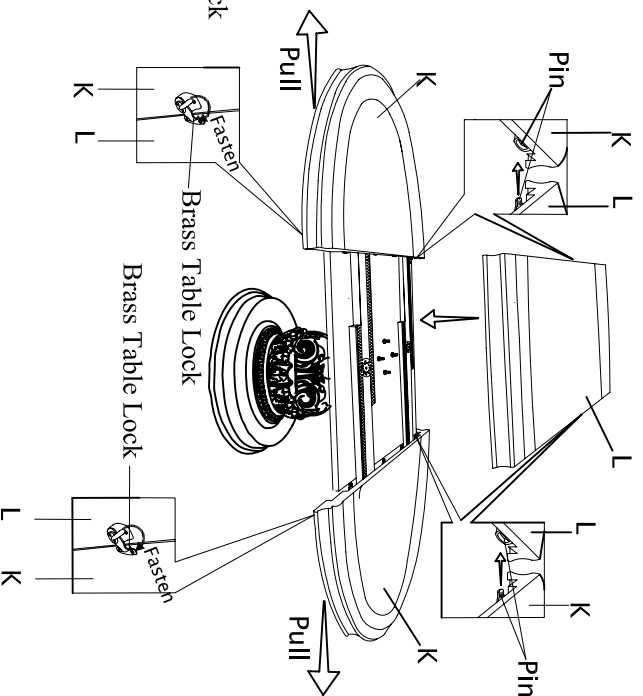
Michael Ammini[®]
ORIGINAL FURNITURE DESIGNS

Round Dining Table Assembly Instructions 72001T/B-55 Villa Valencia

Option A



Option B



Instructions:

Figure 1

1. Round Table can be installed with or without the Leaf Extension.

Installation without Leaf Extension:

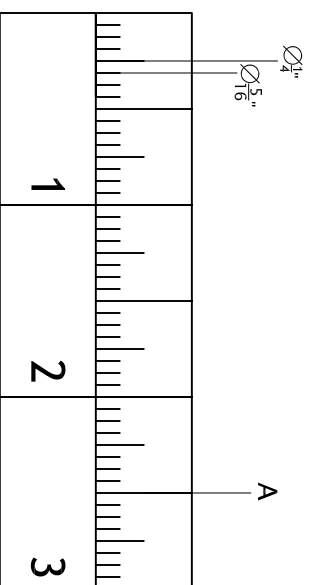
1. Push from both side to close two K (Table Side top), spin the connector underneath to lock the table top.

Installation With Leaf Extension

1. To install the Leaf Extension, unlock the connectors underneath, pull to open the table as much as possible.

2. Put L (Leaf Extension) on between two K (Table Side Top), match the pin on L to the pin hole on K.

3. Close the table top by pushing from both side of K, Clip and lock all the connectors underneath.



Small Parts Ruler

Congratulations on your purchase.

Rest assured only the finest materials, skilled artisans and modern engineering were used to carefully construct this exquisite piece.

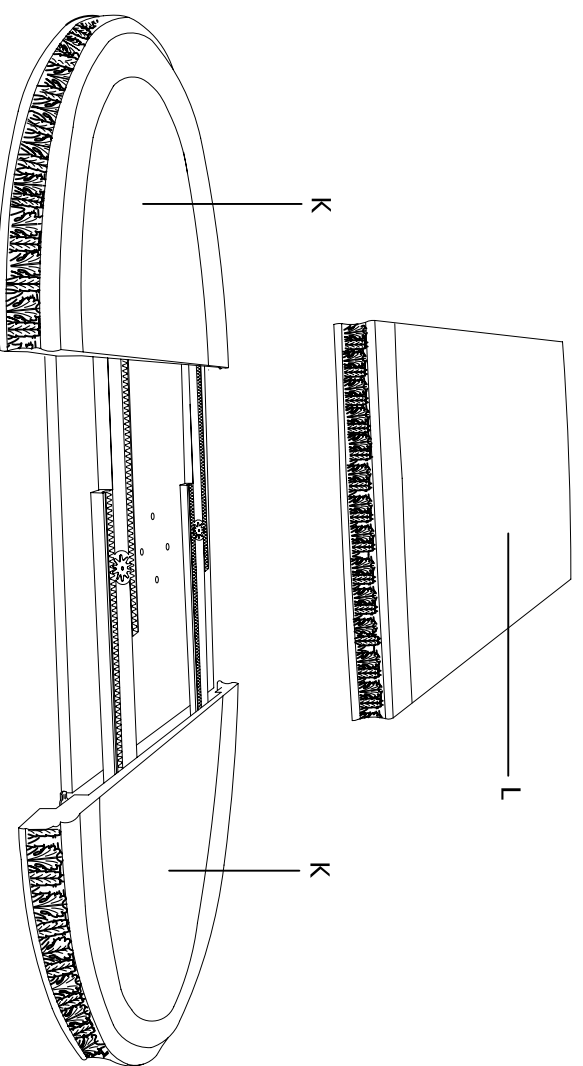


Figure 1

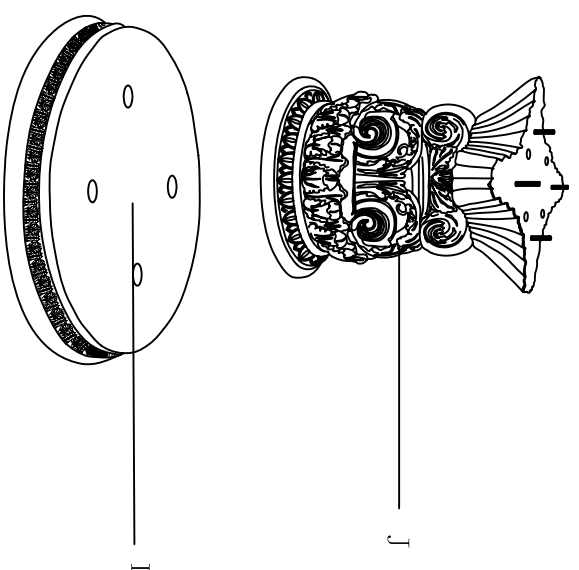
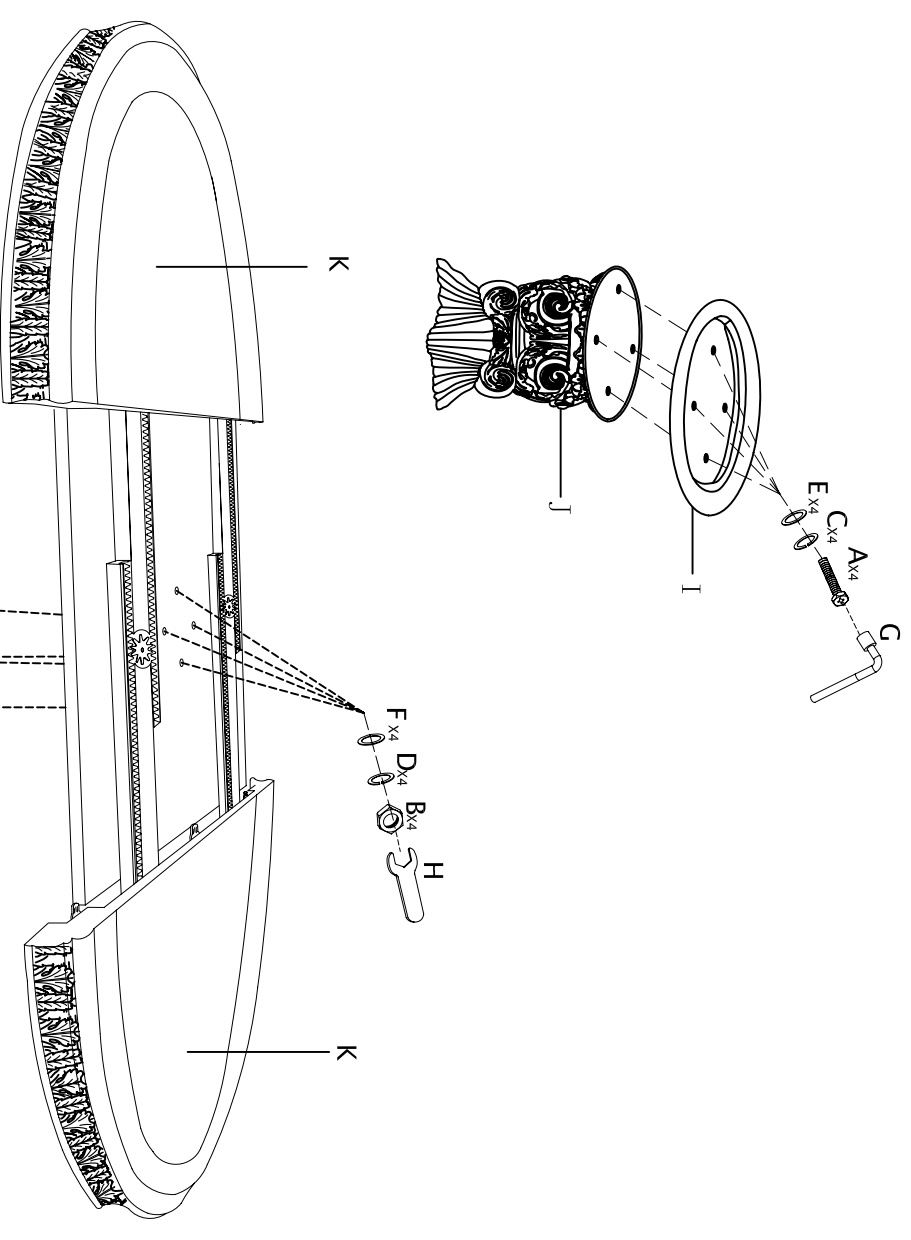


Figure 2



Assembly Hardware

Part	Description	Quantity
A	Bolt	4
B	Nut	4
C	Spring Washer	4
D	Spring Washer	4
E	Flat Washer	4
F	Flat Washer	4
G	Socket Wrench	1
H	Wrench	1

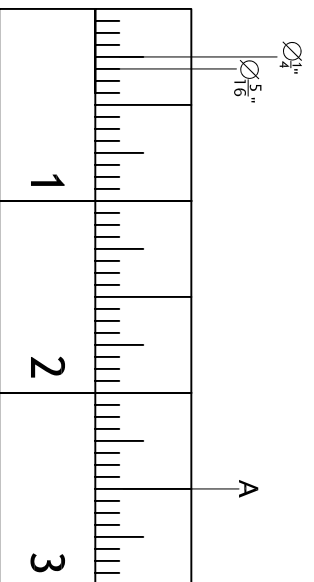
∅ = diameter

Dining Table Parts

Part	Description	Quantity
I	Table Base Plate	1
J	Table Base Column	2
K	Table Side Top	2
L	Leaf Extension	1

Dining Table Parts

NOTE: Inspect all packing material for small parts, which may have come loose during shipment. Identify and compare all parts against the parts list.



Small Parts Ruler

Instructions:

Figure 1

1. Lay J (Table Base Column) upside down, install the I (Table Base Plate) upside down to the bottom of J and match the holes to the screw bolt on the table base column.
2. Fasten A (Bolt)+C (Spring Washer)+E (Flat Washer) by using G (Socket Wrench).

Figure 2

1. Turn the Assembled table base to normal position, level up the table by adjusting the leveler underneath (Table Base Plate).
2. Put the Table top to the top of Table Base, and match the screw bolt on the base column to the holes on the mounting panel.
3. Unlock all the connector underneath the table top, and pull to open K (Table Side Top).
4. Take out the leaf extension from table storage.
5. Fasten B (Nut)+D (Spring Washer)+F (Flat Washer) by using H (Socket Wrench)