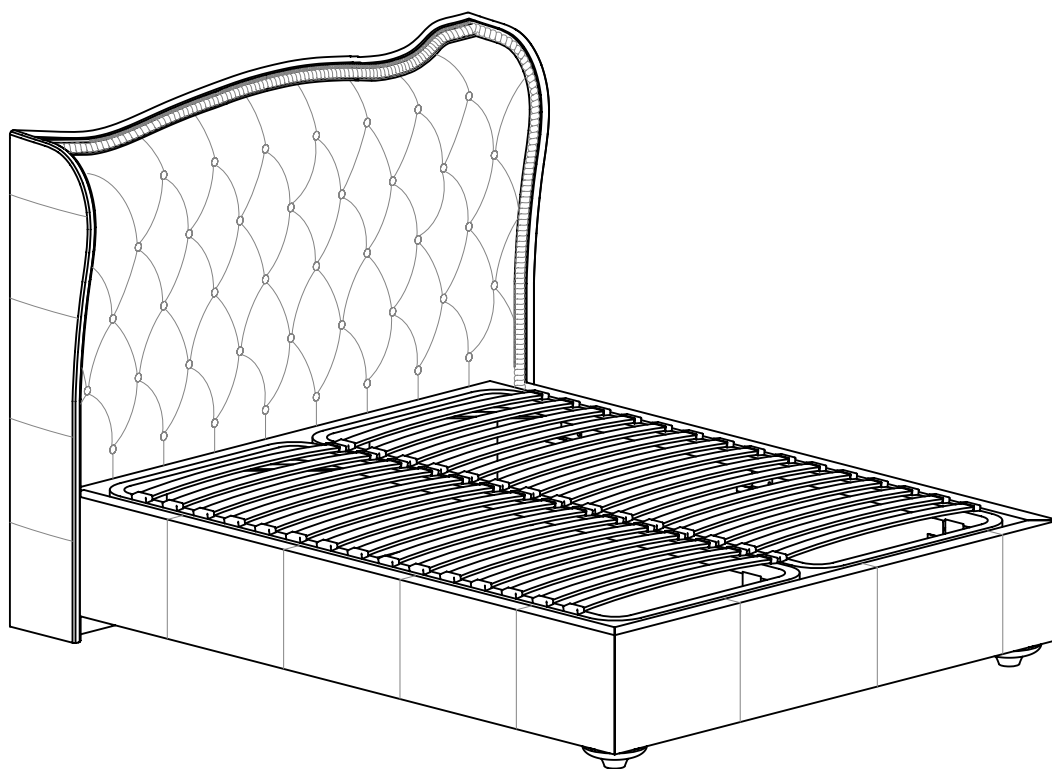


*Michael Amini® &*  
**JANE SEYMOUR™**  
A DESIGN COLLABORATION

**Hollywood Swank Queen Upholstered Bed**  
**Assembly Instructions**

*03012-14 / 03132-14 Headboard / Footboard / Rail*

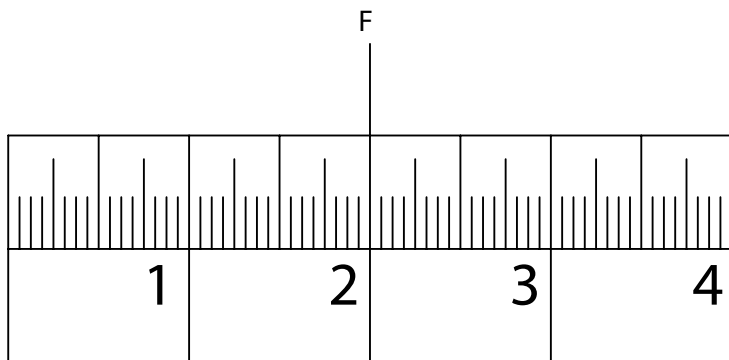
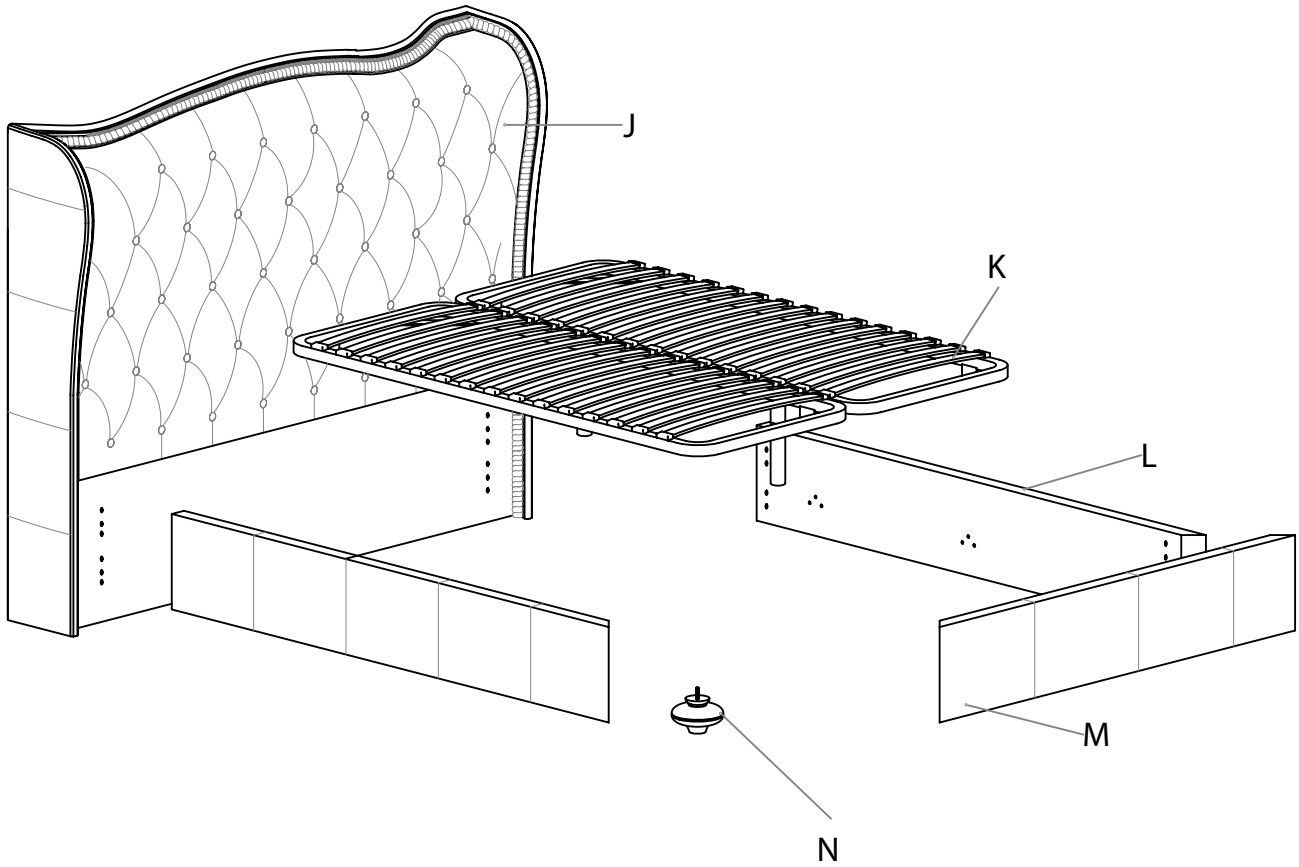


*Congratulations on your purchase.*

*Rest assured only the finest materials, skilled artisans and modern engineering were used to carefully construct this exquisite piece.*

 **AICO®**  
AMINI INNOVATION, CORP.  
www.amini.com

# Index



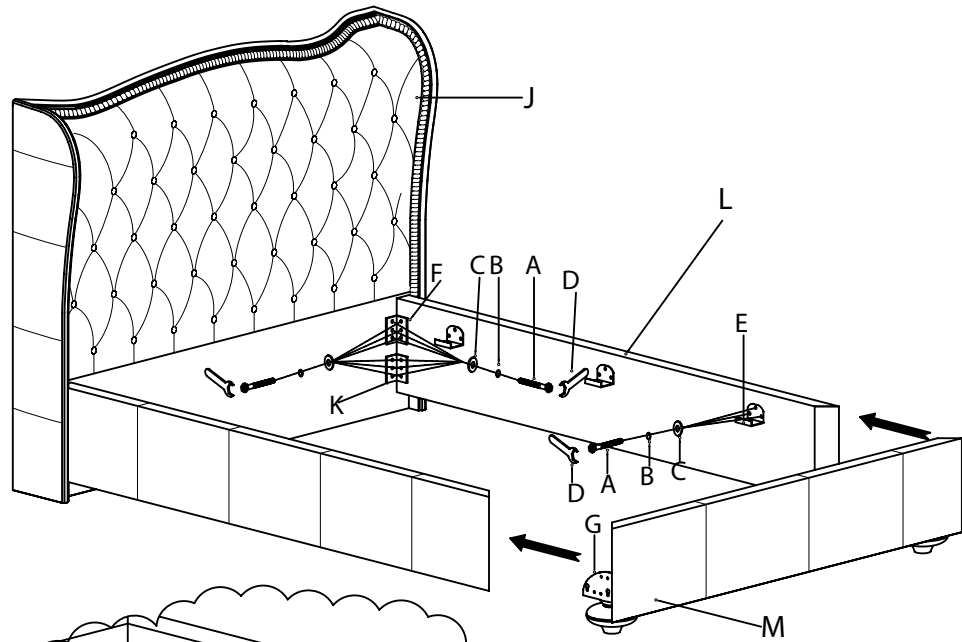
## Queen Bed Parts list

J	Headboard	1
K	Slat	1
L	Rail	2
M	Footboard	1
N	Leg	1

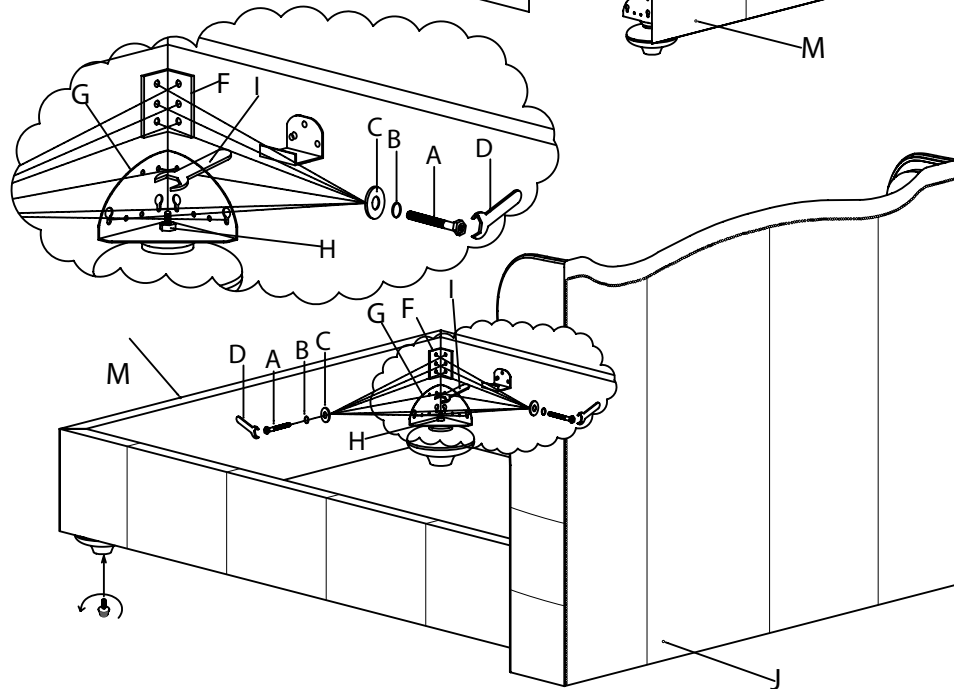
NOTE: Inspect all packing material for small parts, which may have come loose during shipment. Identify and compare all parts against the parts list.

# Step 1







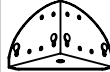

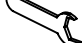
## Figure 1



## Figure 2



### Assembly Hardware

A	Bolt		Ø1/4"X 35mm	66
B	Spring Washer		Ø1/4"	66
C	Flat Washer		Ø1/4"X 18mm	66
D	Wrench		10mm	1
E	Support			6
F	Block			6
G	Bracket			2
H	Nut		Ø5/16"	2
I	Wrench		14mm	1

### Step 1

#### Figure 1:

- 1:Secure J(Headboard) and L(Rail) by inserting A (Bolt)+ B(Spring Washer)+ C(Flat Washer). Align the insert holes on F(Block).
- 2 Secure:E(Support) aim at the middle hole onto L (Rail) by A(Bolt)+B+C and tighten them.

#### Figure 2:

- 1: Secure N(Leg) to G(Bracket)with H(Nut)and tighten with I(Wrench).
- 2: Connect L(Rail) with M(Footboard) by attaching F(Block),the assembled N&G as above with A+B+C as shown.
- 3:Tighten all the bolts.

Step 2  
Figure 3

