

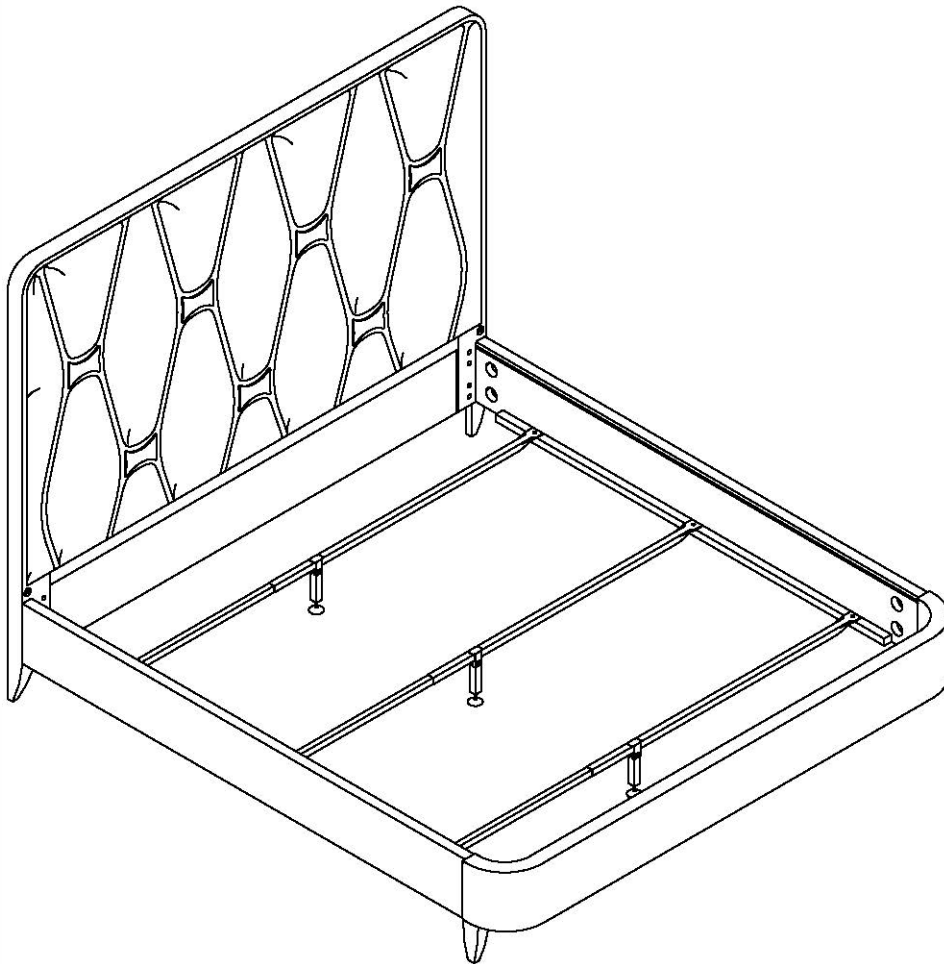
MICHAEL AMINI®

Assembly Instructions
9034014-136

La Rachele™ King Upholstered Panel HdBd™ Medium Champagne
9034137-136

La Rachele™ E. King Platform Frame™ Medium Champagne
9000238-00

Universal Metal Slats w/Adjustable Leg Supports

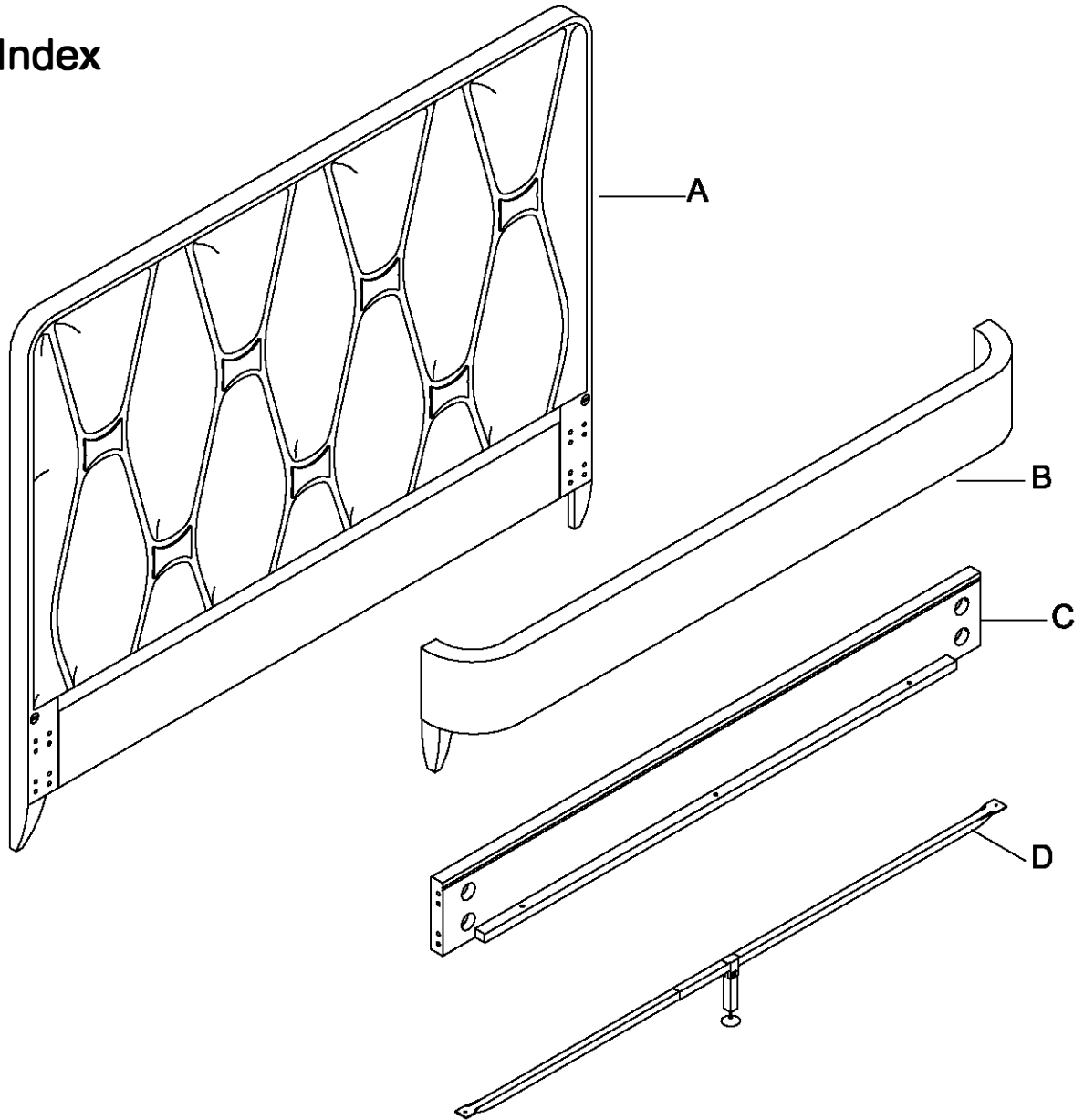


Congratulations on your purchase.

Rest assured only the finest materials, skilled artisans and modern engineering were used to carefully construct this exquisite piece.

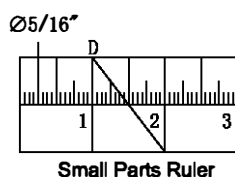
 **AICO®**
AMINI INNOVATION, CORP.
www.amini.com

Index



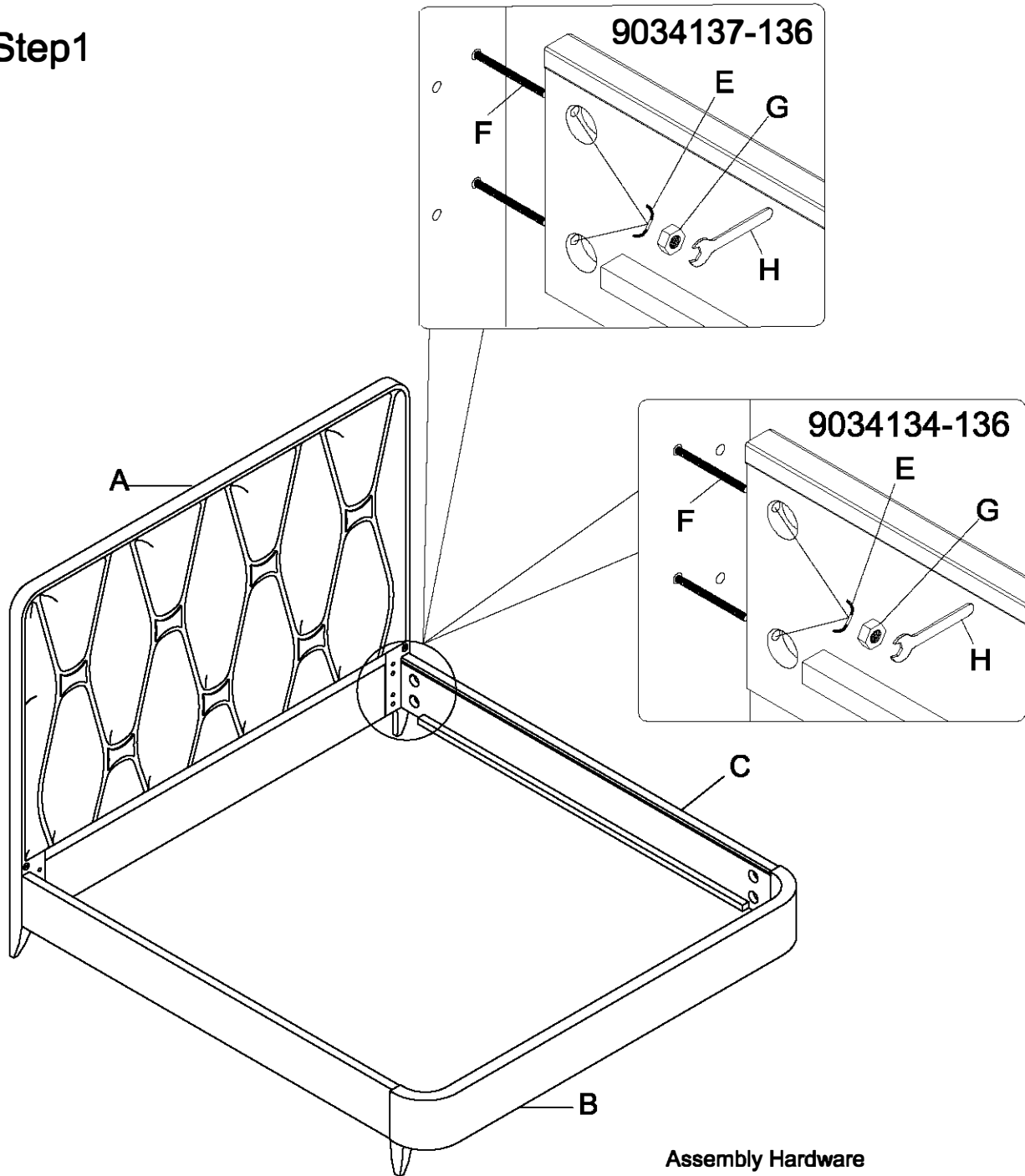
E. King Bed Parts

A	Headboard	9034017-136	1
B	Footboard	9034137-136	1
C	Rail		2
D	Bed slats only	9000238-00	3



NOTE:Inspect all packing material for small parts, which may have come loose during shipment. Identify and compare all parts against the parts list.






Step1



Instructions:

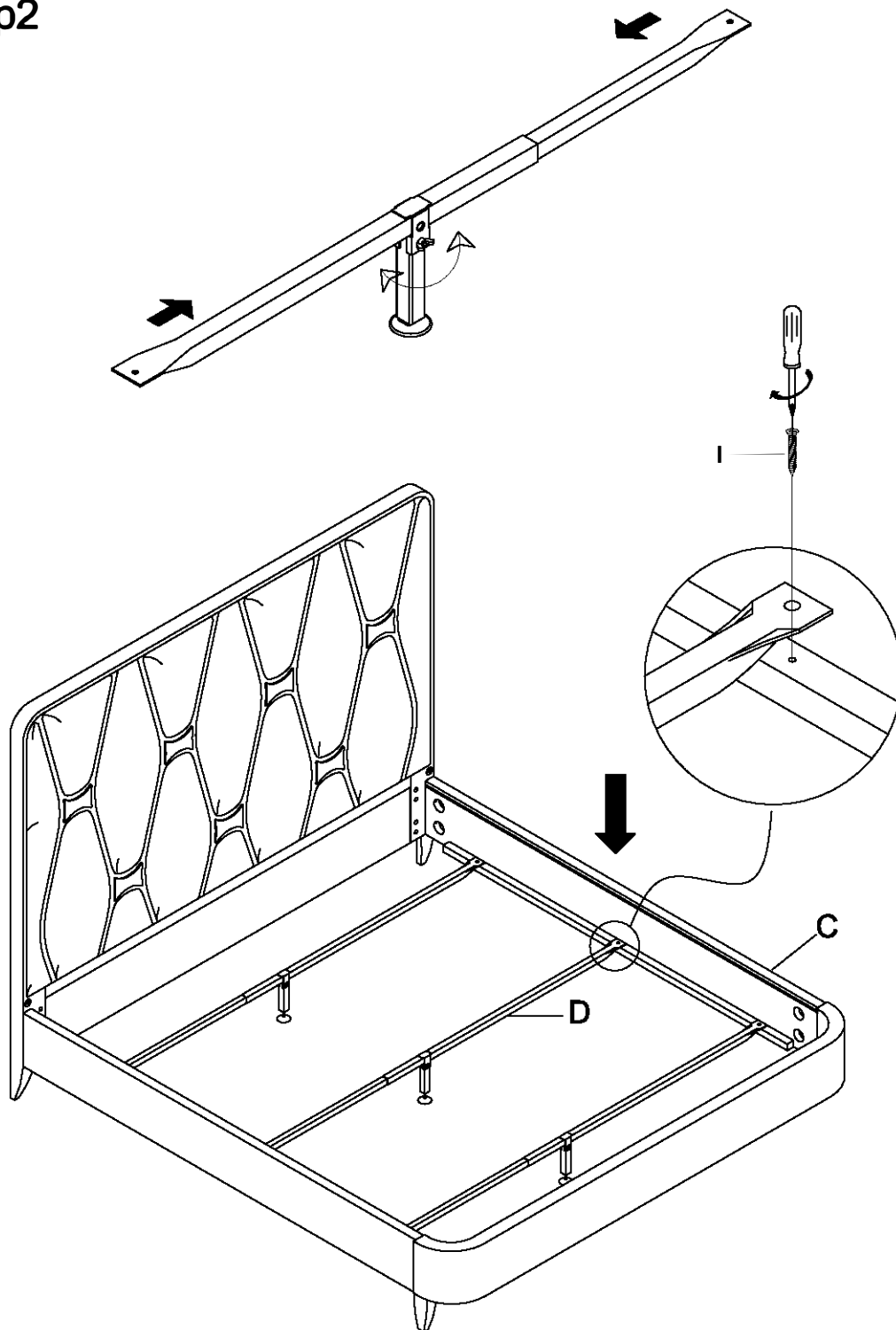
1. Connect A(Headboard) and C (Rail) .
2. Secure A and C by inserting F(Long Bolt)+E (Washer) +G (Nut) using H (Wrench), not too tight.
3. Connect B(Footboard) and C, just the same step as Connect the A and C.
4. Tighten all the Bolts.

Assembly Hardware

E	Washer		36*16*11H	8
F	Long Bolt		Ø5/16**3-1/2*L	8
G	Nut		Ø5/16"	8
H	Wrench		14mm	1
I	Wood Screw		Ø8*1"	6

Ø=diameter

Step2



Instructions:

1. Adjust metal slats provided as separate item accordingly with distance of C(Bed Rail)
2. Open key and adjust foot to middle of metal bar. Tighten up the key.
3. Secure D to C(Rail) with I(Wood Screw) as shown.