

Your **holder** for all
things awesome.

Entertainment/Fireplace Credenza

Model 426154

NOTE: THIS INSTRUCTION
BOOKLET CONTAINS **IMPORTANT**
SAFETY INFORMATION.

PLEASE READ AND KEEP FOR
FUTURE REFERENCE.

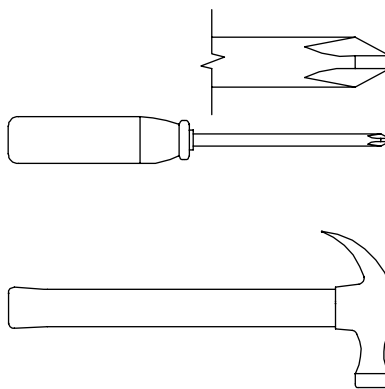
Share your journey!



Table of Contents

Assembly Tools Required

Part Identification	3
Hardware Identification	4
Assembly Steps	5-22
Français	23-25
Español	26-28
Safety	29-30
Warranty	31



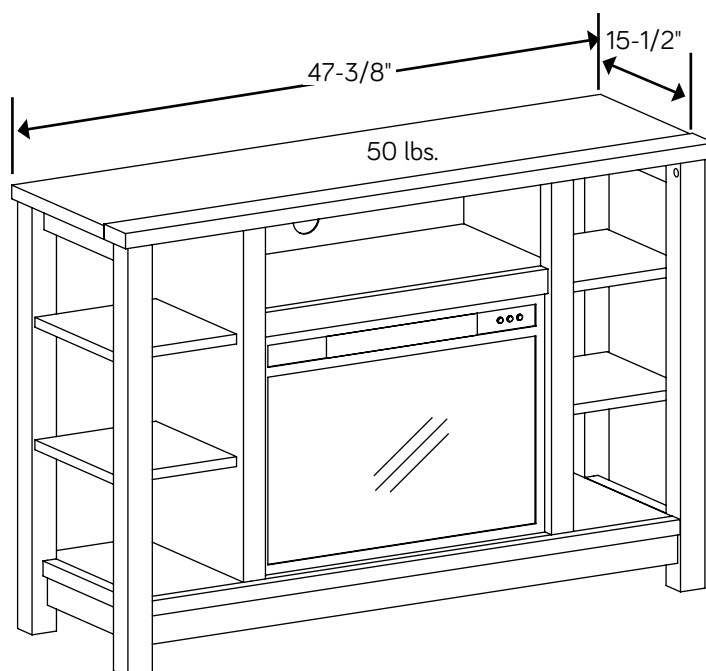
No. 2 Phillips Screwdriver
Tip Shown Actual Size

Hammer
Not actual size 😊

⚠️ WARNING

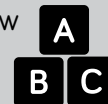
Use of a TV that is too heavy or large is hazardous. A TV that is too heavy will create a risk of a tip-over that can cause severe injury or death. A TV that is too large for the available space might be accidentally pushed or bumped off the furniture, or subject to tip-over.

- Check the size and weight of your TV. Compare it to the diagram below – **before you begin assembly!**
- This Sauder unit is designed for use with flat panel televisions weighing less than 50 pounds. **Never** use with a TV that weighs more.
- The size of the television, front-to-back and side-to-side, must fit within the space defined in the diagram.
 - **Never** place the front edge of the TV past the front edge of the TV support shelf (or stop molding – if equipped)
 - **Never** allow the sides of the TV to extend past the side edges of the TV support surface.
- Be sure to apply the warning label as instructed later in the assembly. The label provides important safety related information.



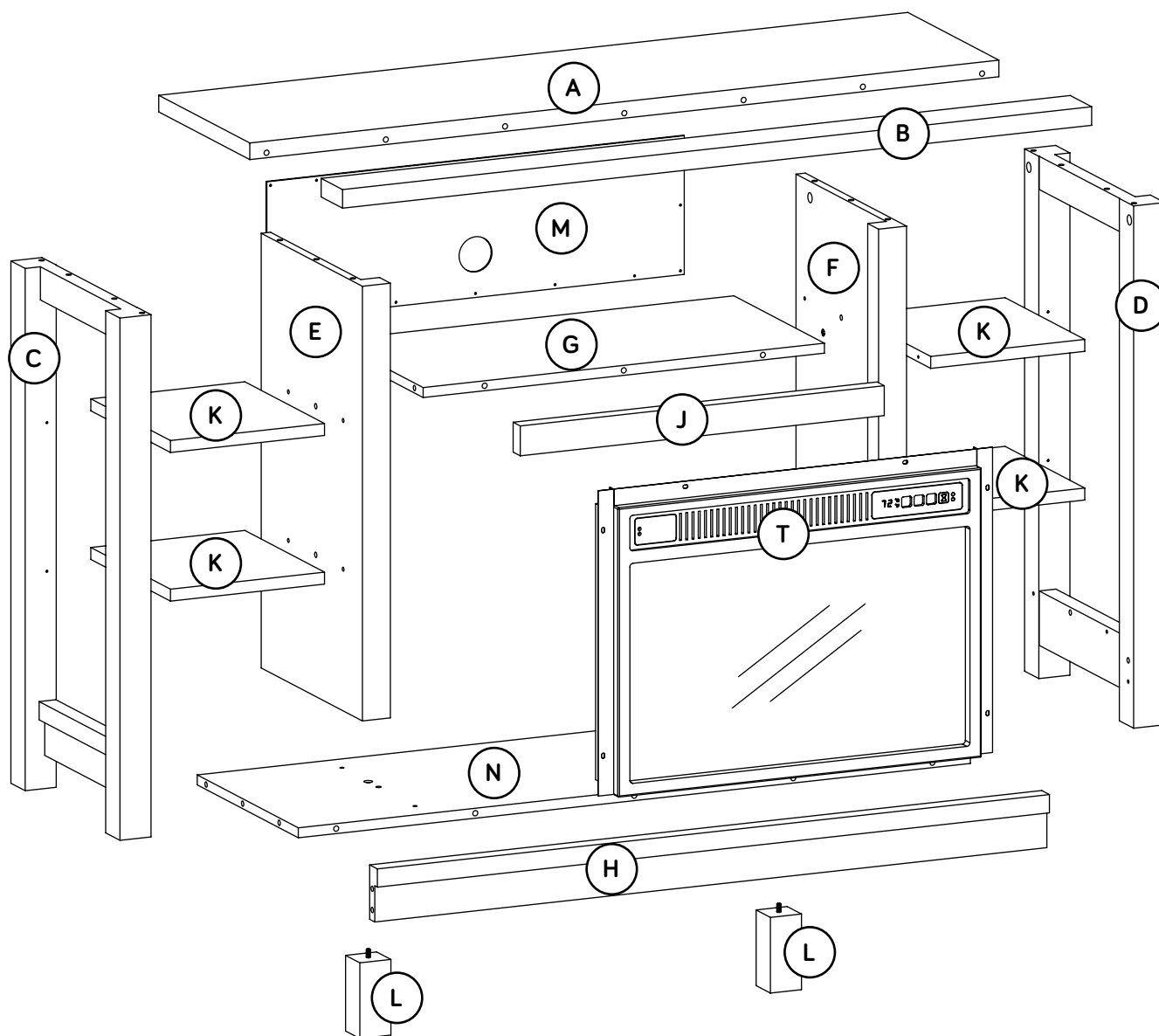
Part Identification

Now you know
our ABCs.



⚠ While not all parts are labeled, some of the parts will have a label or an inked letter on the edge to help distinguish similar parts from each other. Use this part identification to help identify similar parts.

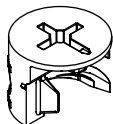
A	TOP (1)	F	RIGHT UPRIGHT (1)	L	FOOT (2)
B	STOP MOLDING (1)	G	LARGE SHELF (1)	M	BACK (1)
C	LEFT END (1)	H	SKIRT (1)	N	BOTTOM (1)
D	RIGHT END (1)	J	SHELF MOLDING (1)	T	ELECTRIC FIREPLACE (1)
E	LEFT UPRIGHT (1)	K	SMALL SHELF (4)		



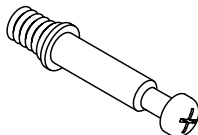
Hardware Identification

† Screws are shown actual size. You may receive extra hardware with your unit.

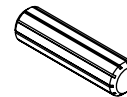
1 HIDDEN CAM - 27



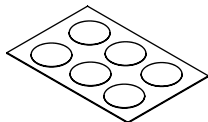
2 CAM SCREW - 27



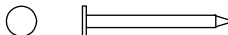
3 SHORT WOOD DOWEL - 21



4 APPLIQUE CARD - 5



5 NAIL - 16



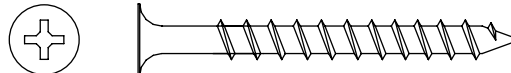
6 BRACKET - 8



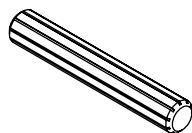
7 1/2" PAN HEAD SCREW - 16



8 2" FLAT HEAD SCREW - 12



9 LONG WOOD DOWEL - 3



10 WARNING LABEL - 1

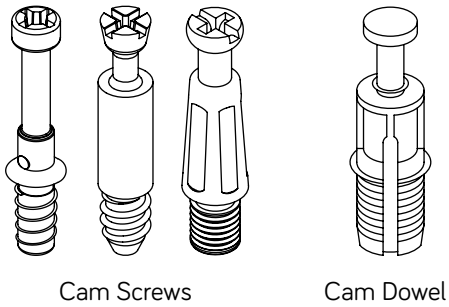


(Refer to the last step for proper location and application)

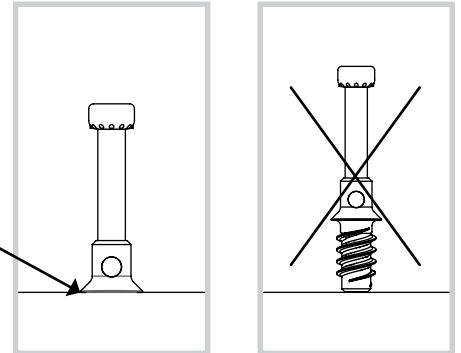
Hardware Usage Guide

HOW TO USE A HIDDEN CAM & CAM SCREW OR CAM DOWEL

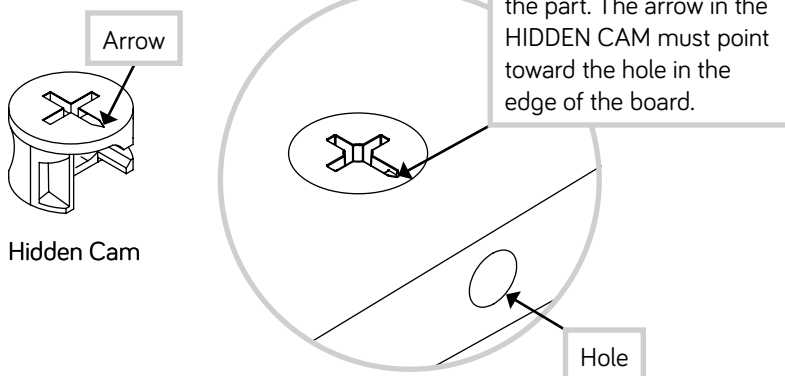
1. NOTE: Various CAM SCREWS or a CAM DOWEL may be used.



Turn the CAM SCREW or gently tap the CAM DOWEL until the shoulder is against the surface of the part.

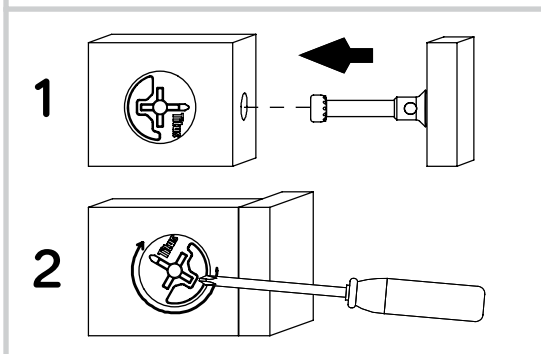


2.



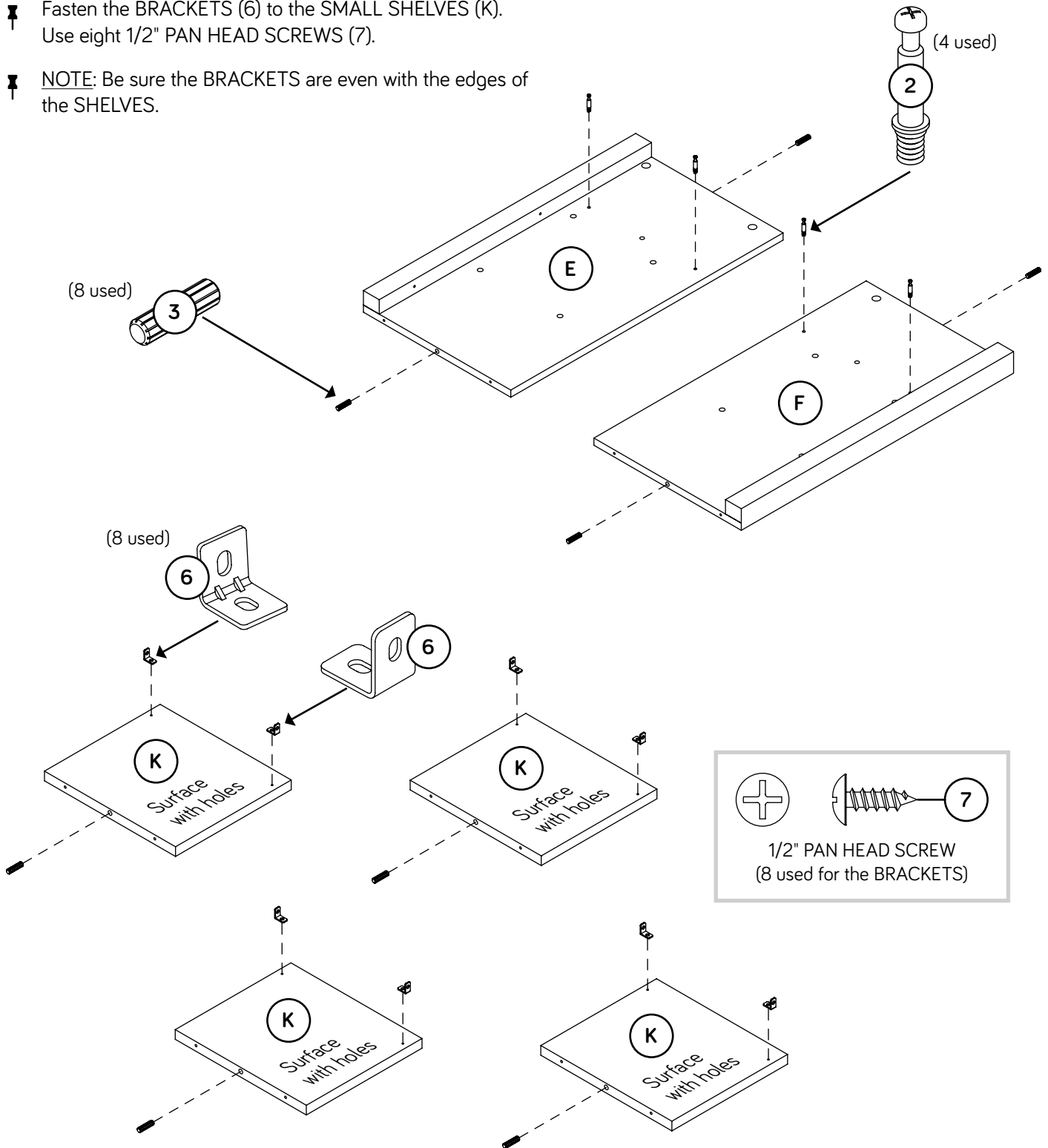
3.

Insert the CAM SCREW or CAM DOWEL into the HIDDEN CAM. Tighten the HIDDEN CAM.



Step 1

- ✚ Assemble your unit on a carpeted floor or on the empty carton to avoid scratching your unit or the floor.
- ✚ Turn four CAM SCREWS (2) into the UPRIGHTS (E and F).
- ✚ Insert eight SHORT WOOD DOWELS (3) into the edges of the UPRIGHTS (E and F) and SMALL SHELVES (K).
- ✚ Fasten the BRACKETS (6) to the SMALL SHELVES (K). Use eight 1/2" PAN HEAD SCREWS (7).
- ✚ **NOTE:** Be sure the BRACKETS are even with the edges of the SHELVES.

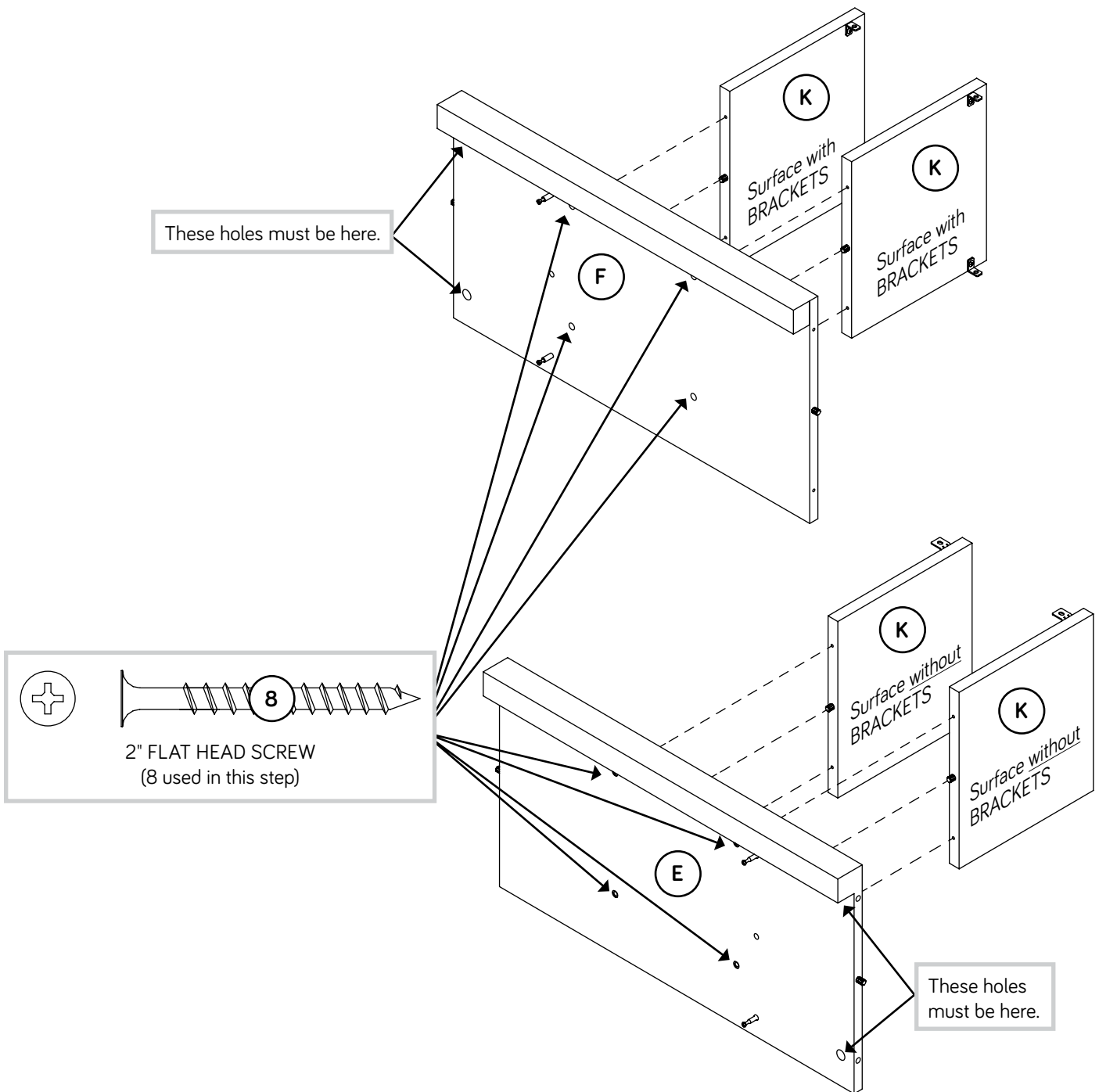


Step 2

✚ Fasten the UPRIGHTS (E and F) to the SMALL SHELVES (K).
Use eight 2" FLAT HEAD SCREWS (8).


✚ NOTE: You should start each SCREW a few turns before completely tightening any of them.

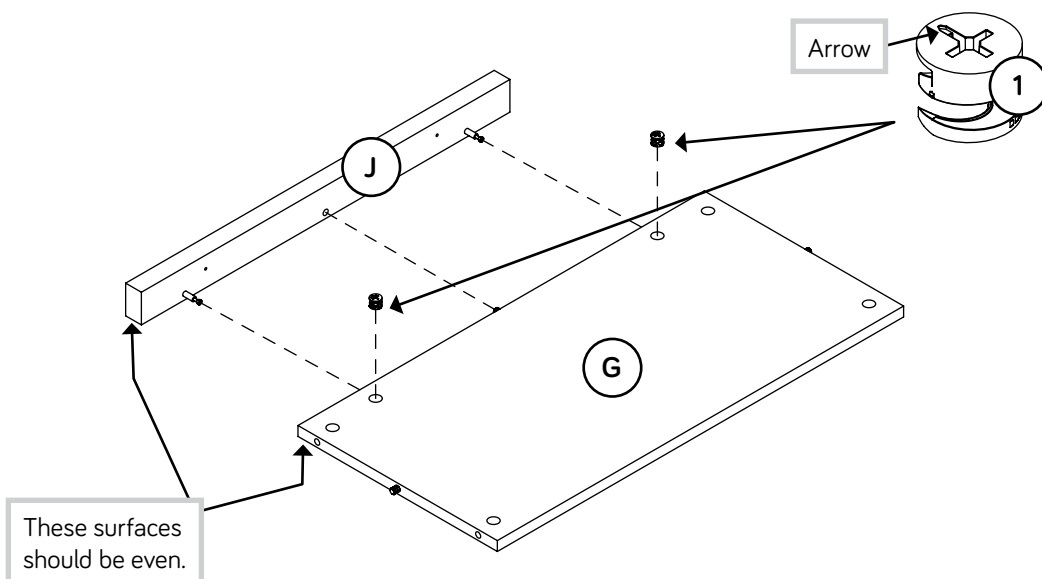
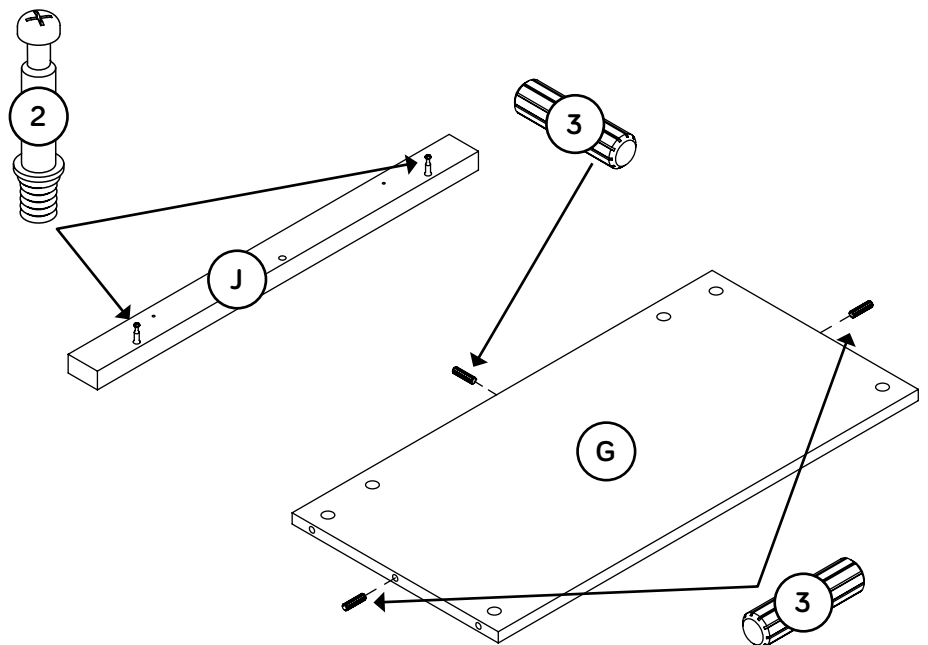
✚ NOTE: Be sure the WOOD DOWELS in the SHELVES insert into the UPRIGHTS.



Step 3

- ✚ Turn two CAM SCREWS (2) into the SHELF MOLDING (J).
- ✚ Insert three SHORT WOOD DOWELS (3) into the edges of the LARGE SHELF (G).
- ✚ Push two HIDDEN CAMS (1) into the LARGE SHELF (G).
- ✚ Fasten the SHELF MOLDING (J) to the LARGE SHELF (G). Tighten two HIDDEN CAMS.
- ✚ **NOTE:** Be sure the WOOD DOWEL in the SHELF inserts into the MOLDING.

 Some assembly (and snacks) required.

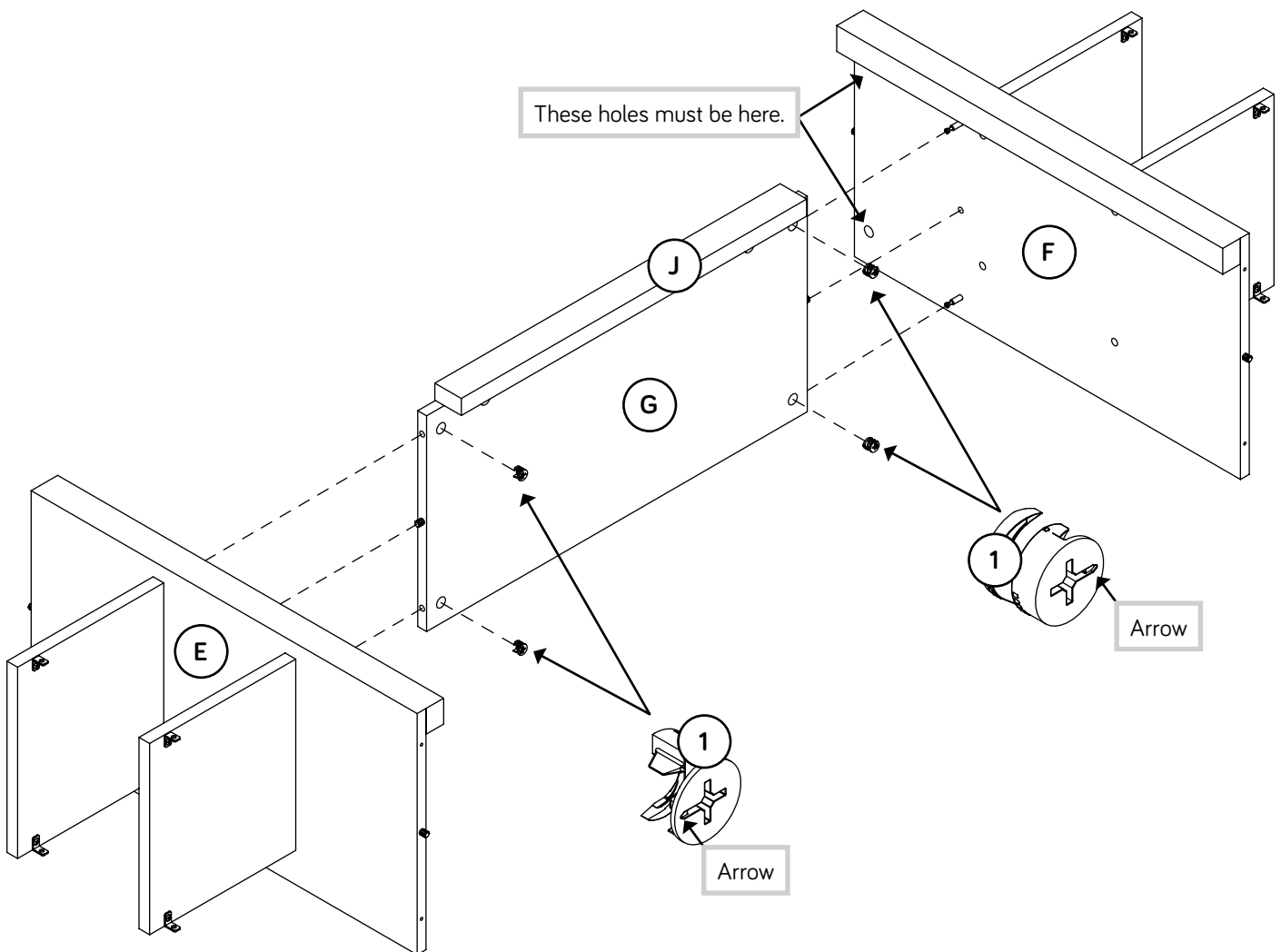


Step 4

- ✚ Push four HIDDEN CAMS (1) into the LARGE SHELF (G).
- ✚ Fasten the UPRIGHTS (E and F) to the LARGE SHELF (G). Tighten four HIDDEN CAMS.
- ✚ NOTE: Be sure the WOOD DOWELS in the SHELF insert into the UPRIGHTS.

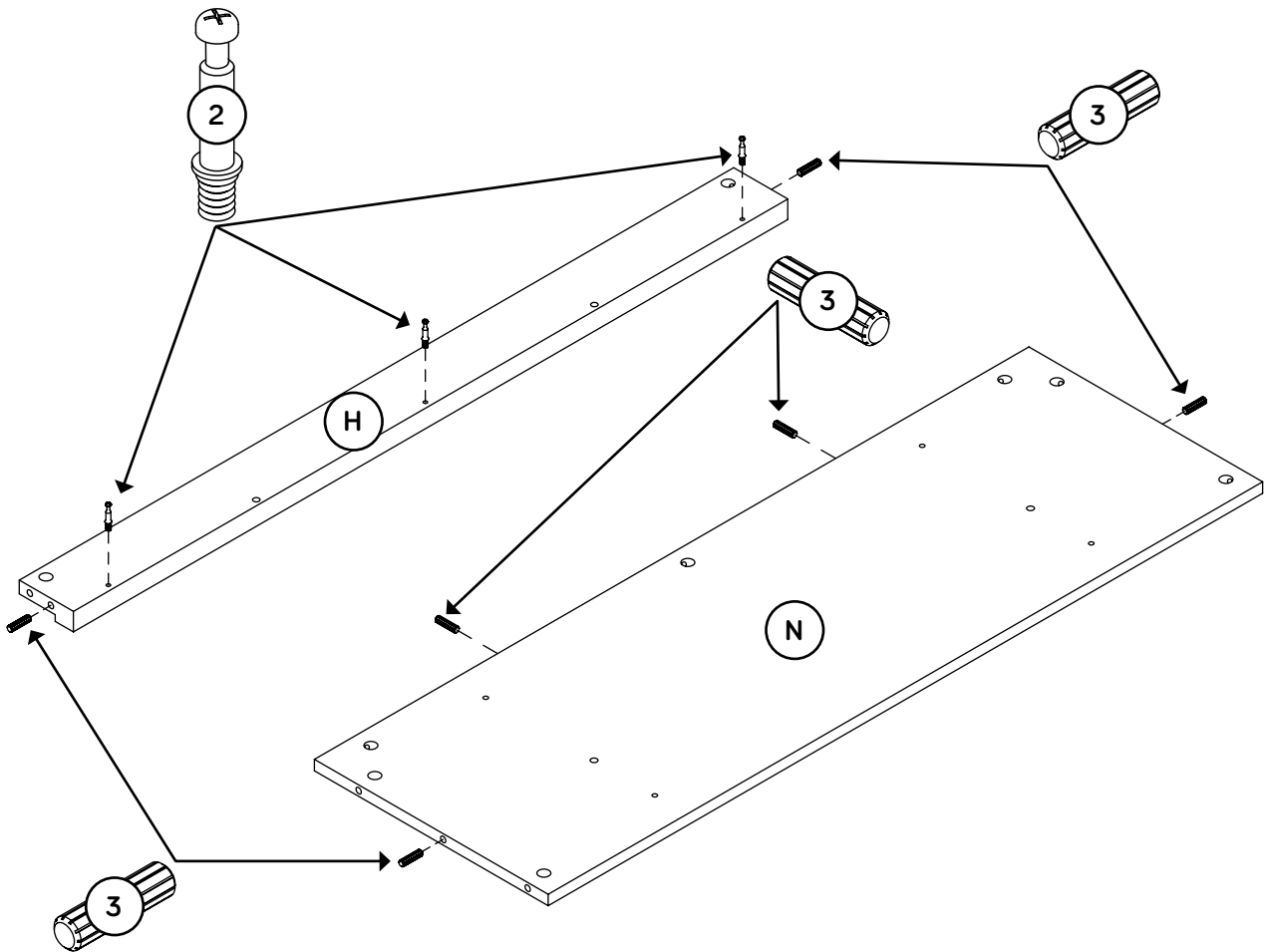
Caution

Do not stand the unit upright without the BACK fastened. The unit may collapse.



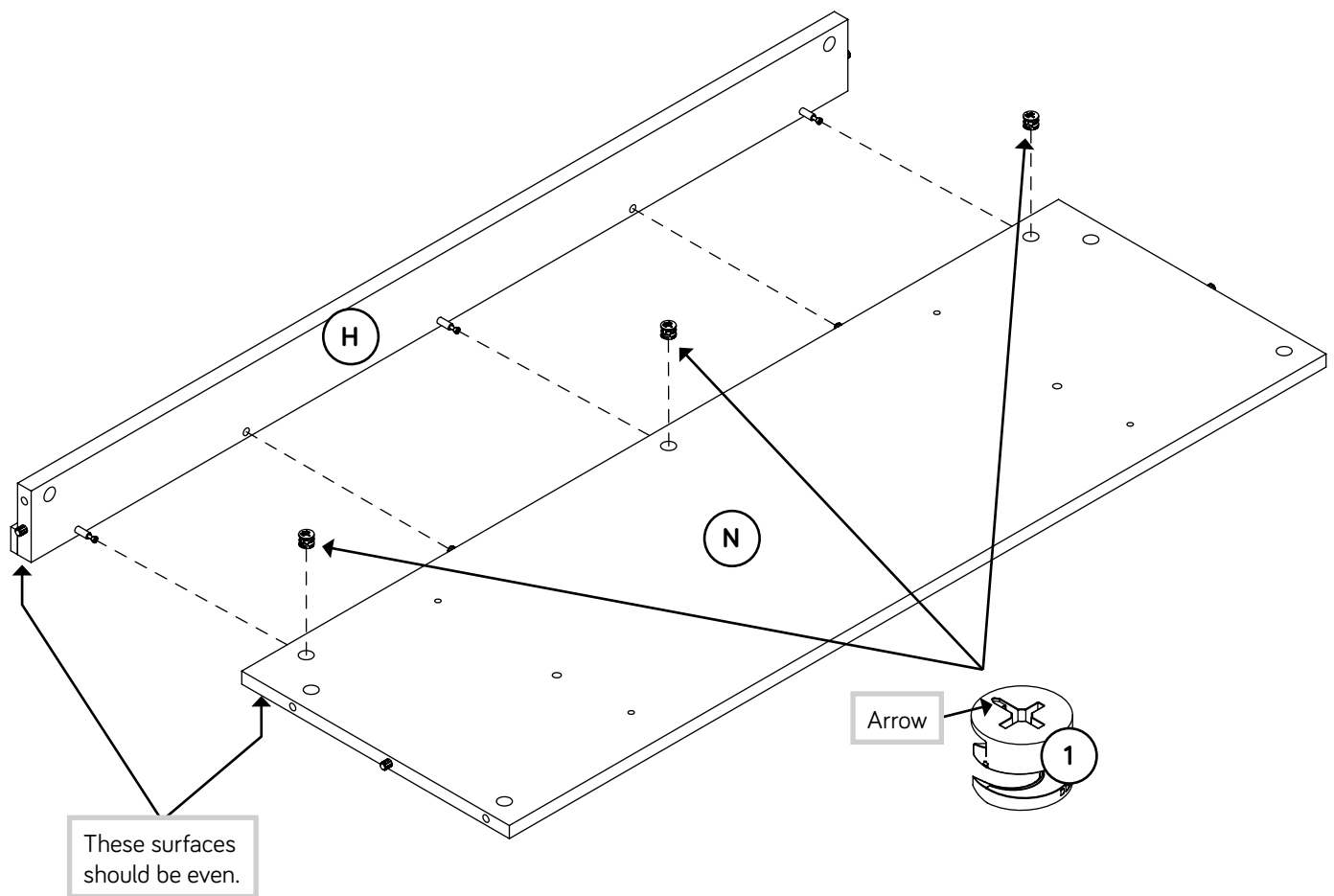
Step 5

- ✚ Turn three CAM SCREWS (2) into the SKIRT (H).
- ✚ Insert six SHORT WOOD DOWELS (3) into the edges of the SKIRT (H) and BOTTOM (N).



Step 6

- ✚ Push three HIDDEN CAMS (1) into the BOTTOM (N).
- ✚ Fasten the SKIRT (H) to the BOTTOM (N). Tighten three HIDDEN CAMS.
- ✚ NOTE: Be sure the WOOD DOWELS in the BOTTOM insert into the SKIRT.

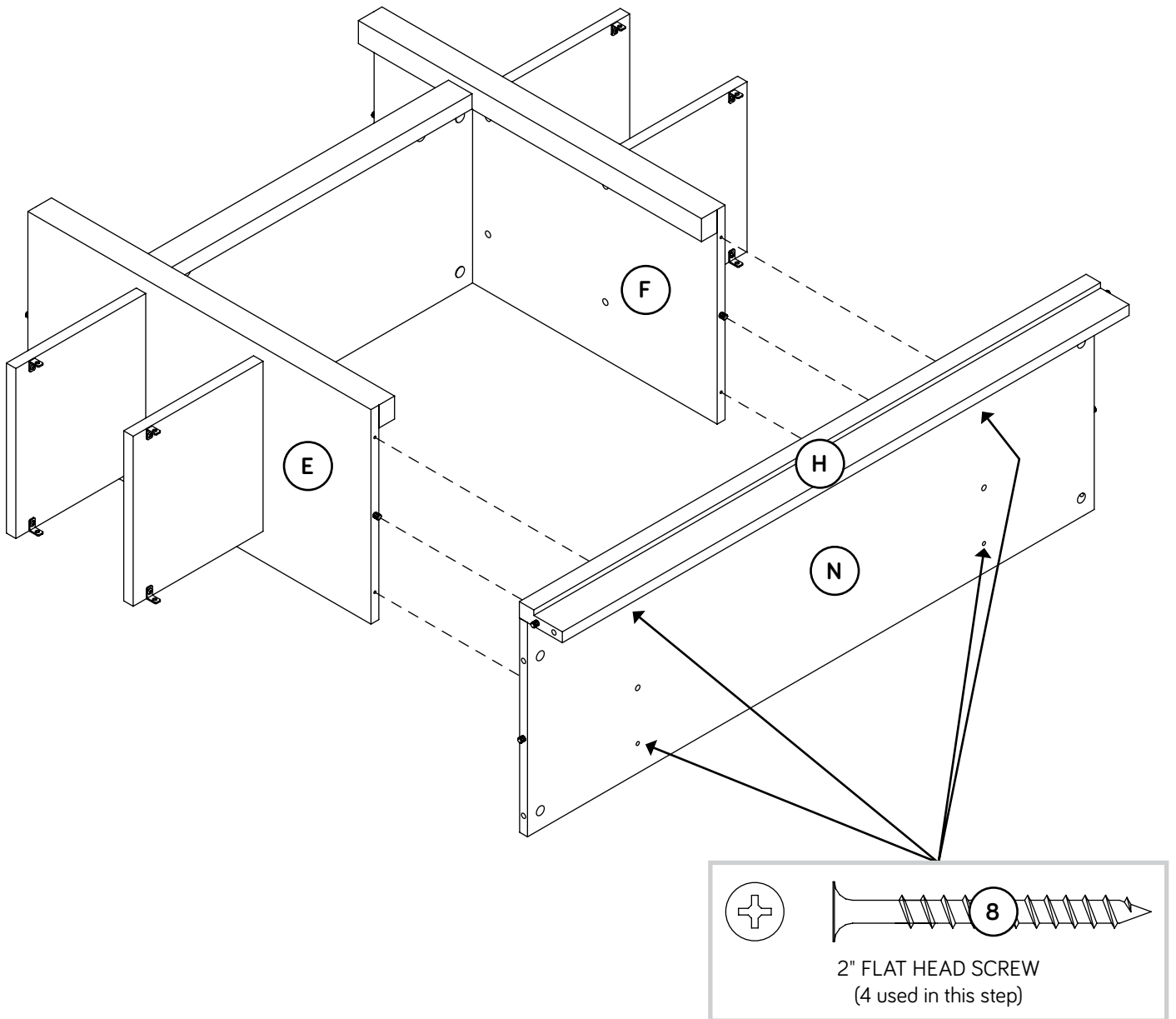


Step 7

✚ Fasten the BOTTOM (N) to the UPRIGHTS (E and F). Use four 2" FLAT HEAD SCREWS (8).

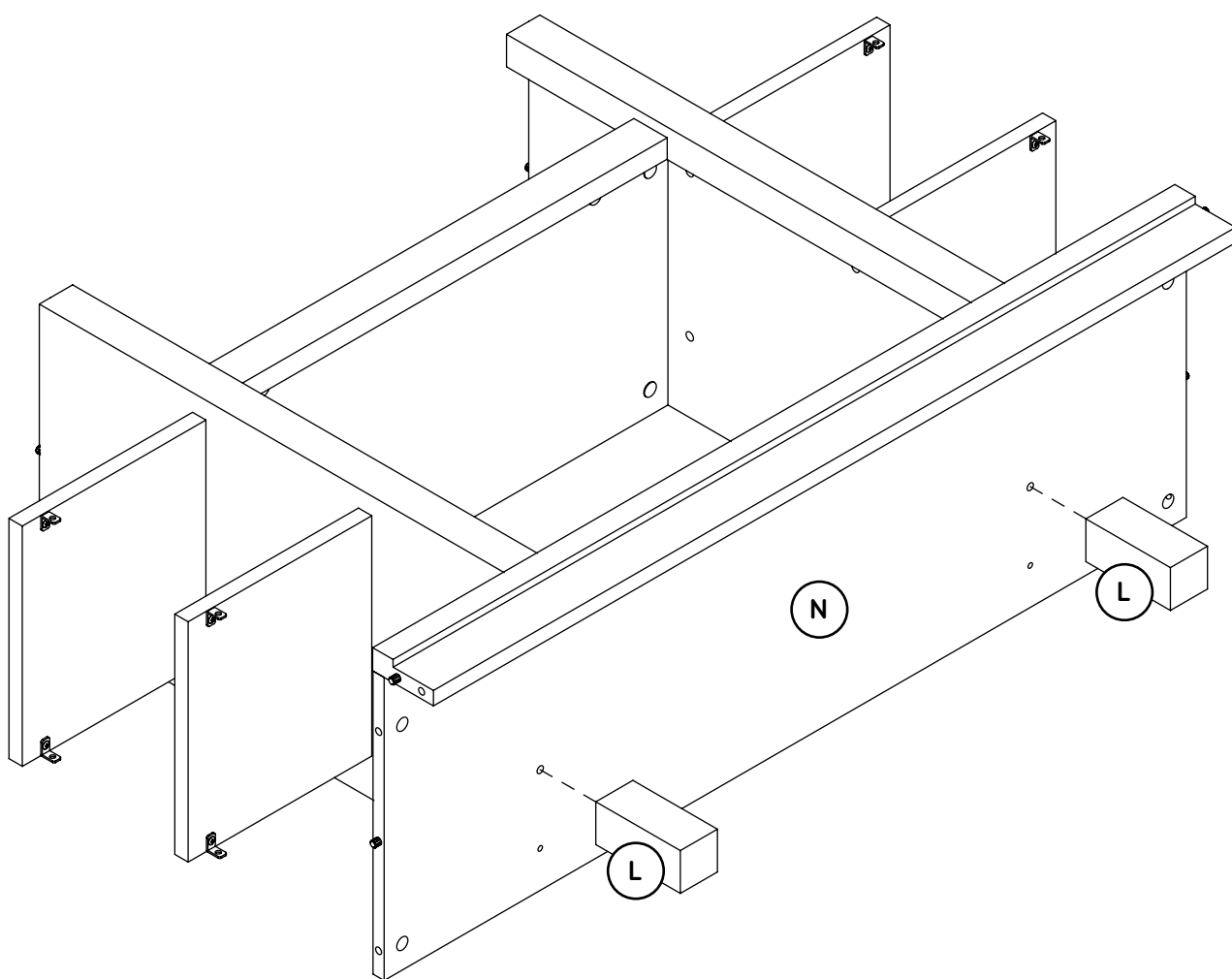
✚ NOTE: You should start each SCREW a few turns before completely tightening any of them.

✚ NOTE: Be sure the WOOD DOWELS in the UPRIGHTS insert into the BOTTOM.



Step 8

Turn the FEET (L) into the holes in the BOTTOM (N).

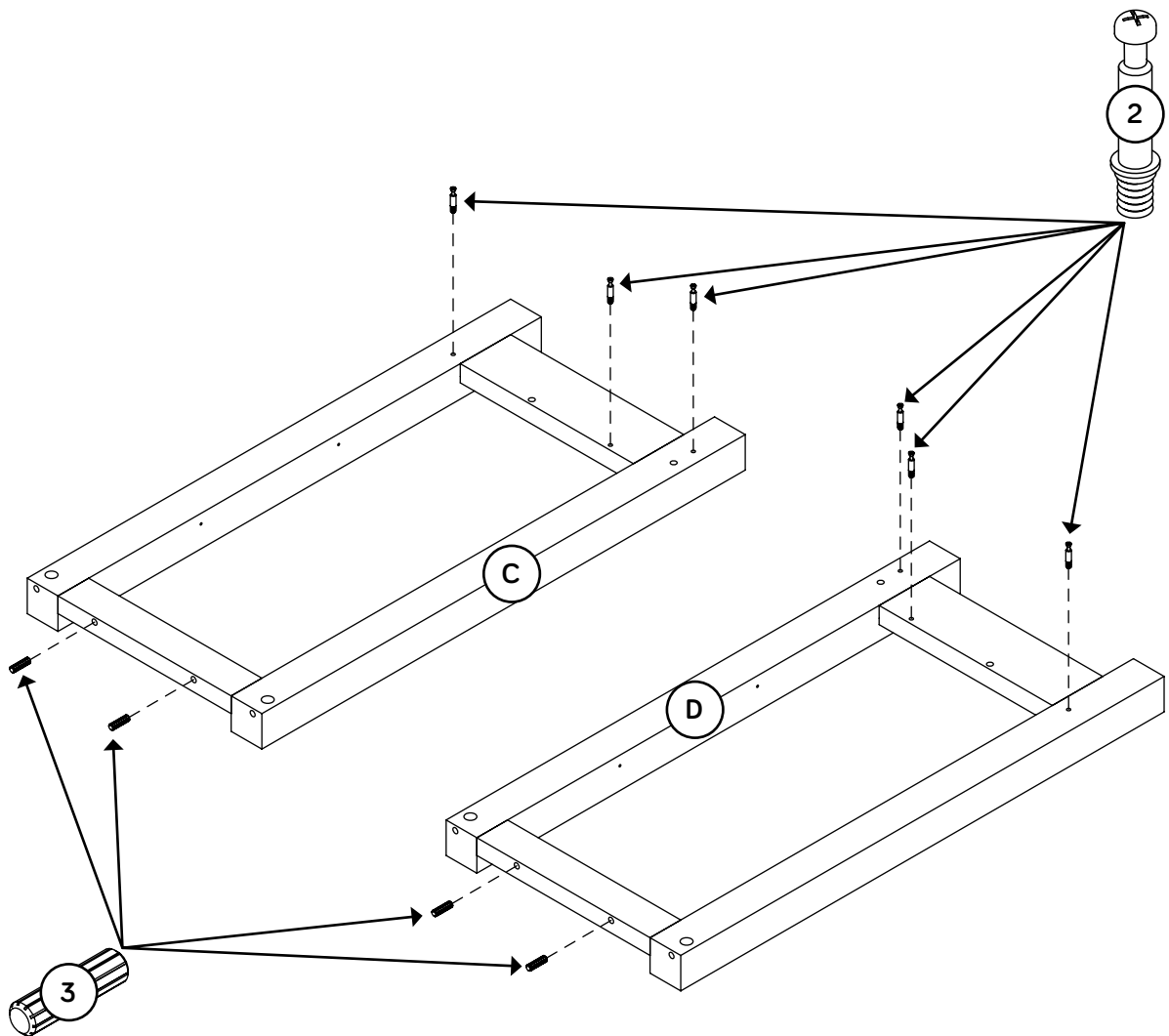


Step 9

- ✚ Turn six CAM SCREWS (2) into the ENDS (C and D).
- ✚ Insert four SHORT WOOD DOWELS (3) into the edges of the ENDS (C and D).

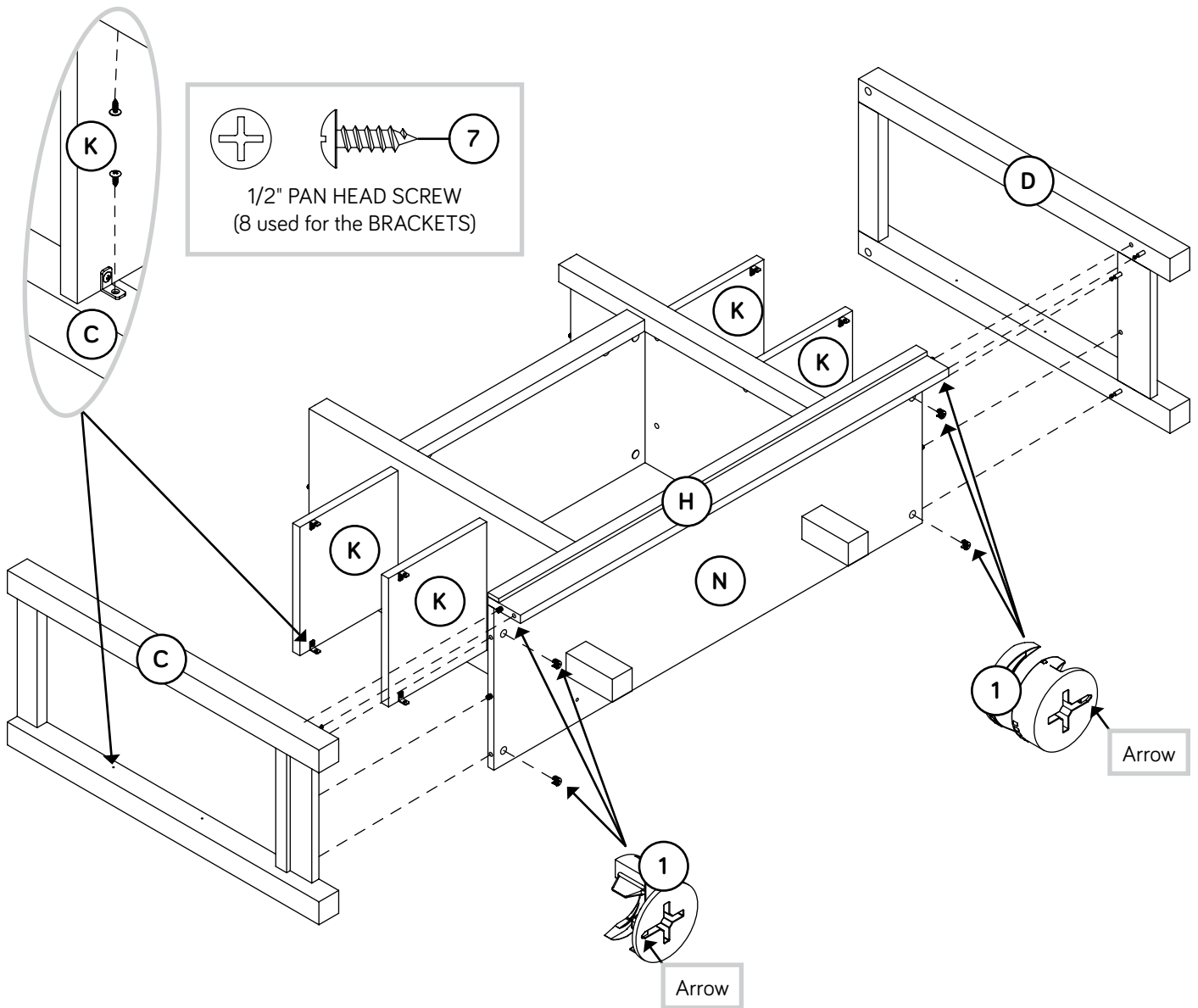


Don't worry. It isn't Rome. This can be built in a day.



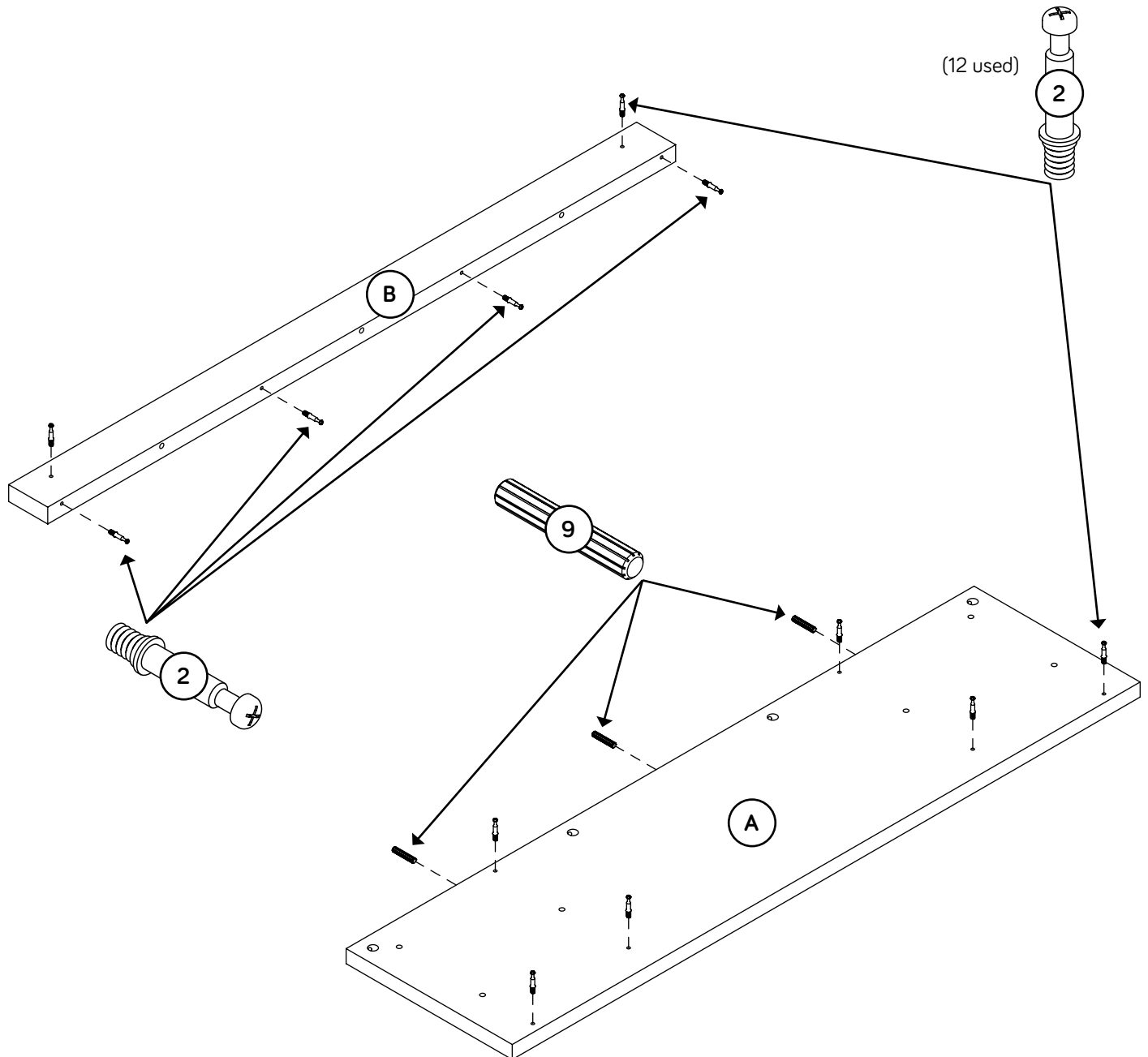
Step 10

- ✚ Push six HIDDEN CAMS (1) into the SKIRT (H) and BOTTOM (N).
- ✚ Fasten the ENDS (C and D) to the SKIRT (H) and BOTTOM (N).
Tighten six HIDDEN CAMS.
- ✚ NOTE: Be sure the WOOD DOWELS in the SKIRT and BOTTOM insert into the ENDS.
- ✚ Fasten the ENDS (C and D) to the SMALL SHELVES (K). Use eight 1/2" PAN HEAD SCREWS (7) through the BRACKETS on the SHELVES and into the holes in the ENDS.
- ✚ NOTE: Do not completely tighten the SCREWS at this time.



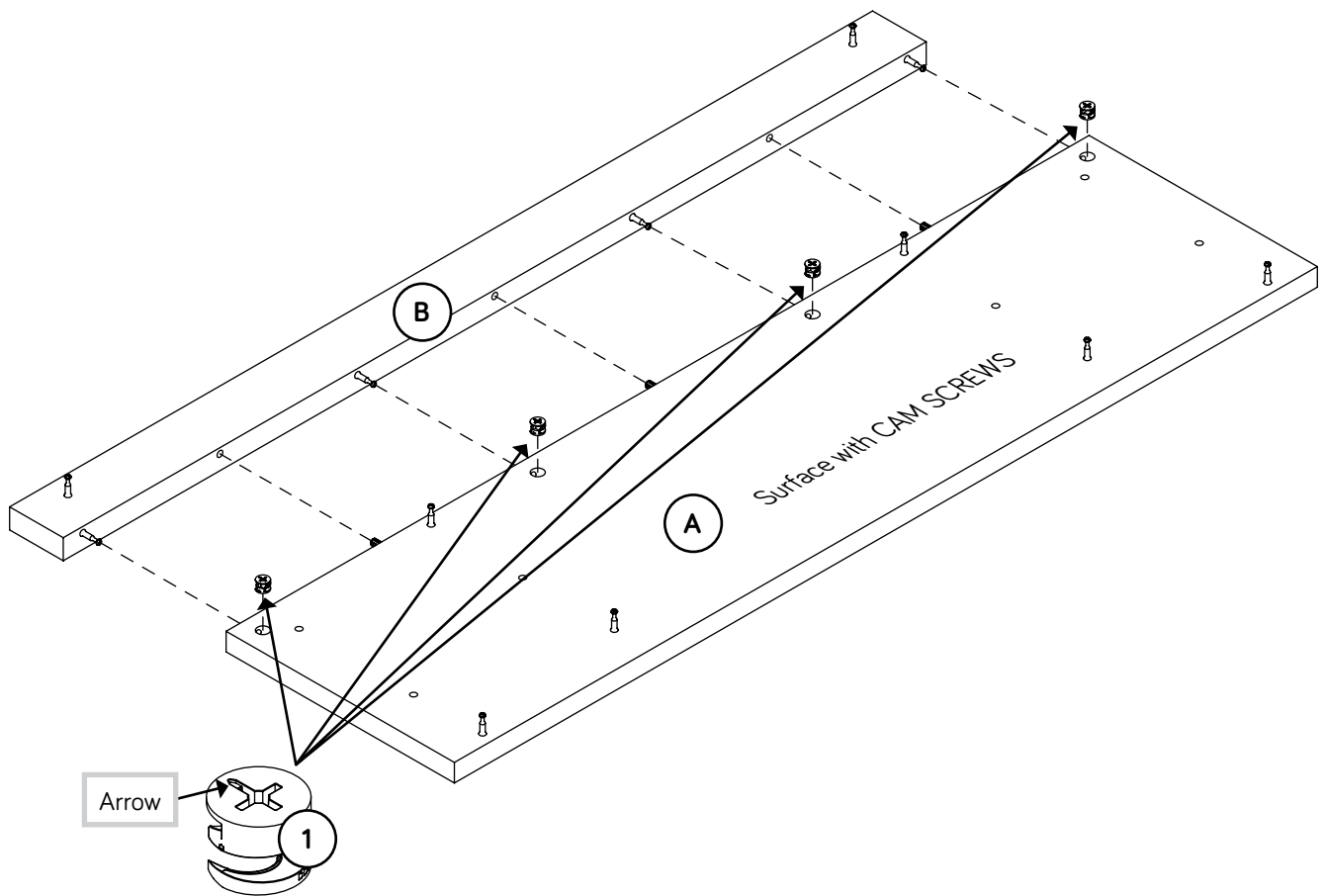
Step 11

- ✚ Turn twelve CAM SCREWS (2) into the TOP (A) and STOP MOLDING (B).
- ✚ Insert three LONG WOOD DOWELS (9) into the long edge of the TOP (A).



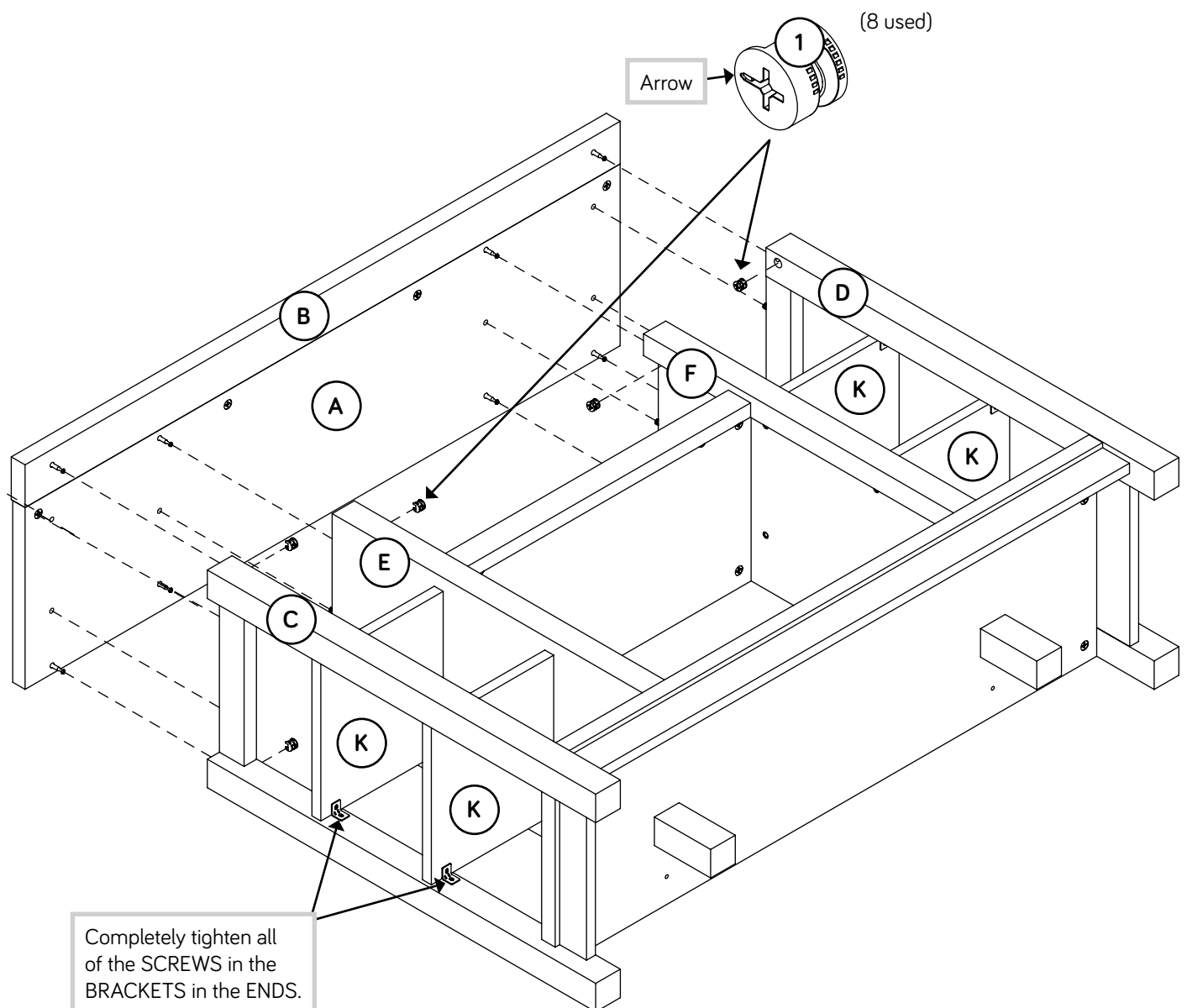
Step 12

- ✚ Push four HIDDEN CAMS (1) into the TOP (A).
- ✚ Fasten the STOP MOLDING (B) to the TOP (A). Tighten four HIDDEN CAMS.
- ✚ NOTE: Be sure the WOOD DOWELS in the TOP insert into the MOLDING.



Step 13

- ✚ Push eight HIDDEN CAMS (1) into the ENDS (C and D) and UPRIGHTS (E and F).
- ✚ Fasten the TOP (A) and STOP MOLDING (B) to the ENDS (C and D) and UPRIGHTS (E and F). Tighten eight HIDDEN CAMS.
- ✚ NOTE: Be sure the WOOD DOWELS in the ENDS and UPRIGHTS insert into the TOP.
- ✚ Completely tighten all of the SCREWS in the BRACKETS on the ENDS (C and D).

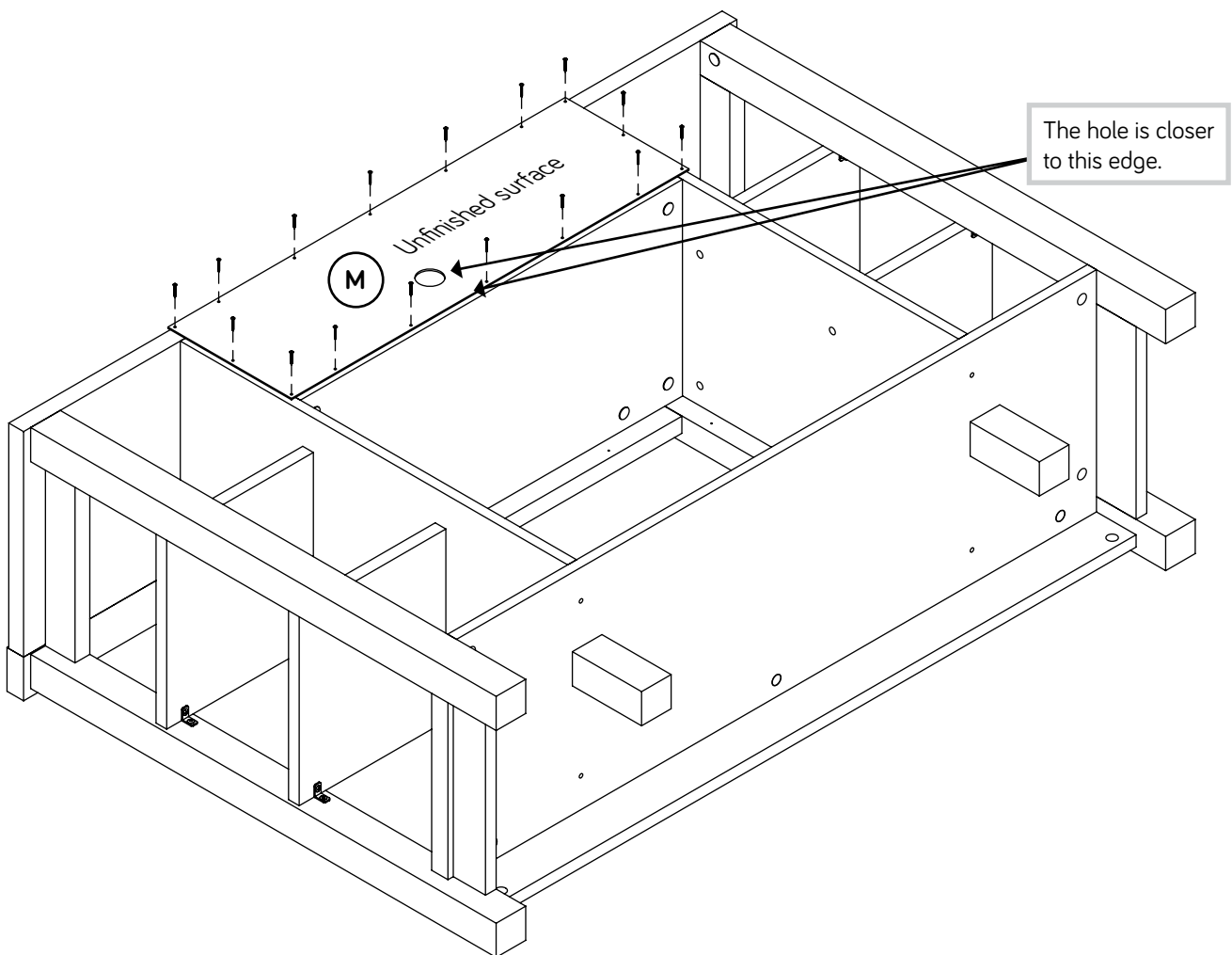
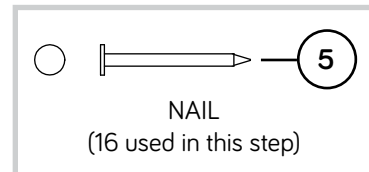


Step 14

- ✚ Carefully turn your unit over onto its front edges. Lay the BACK (M) over your unit.
- ✚ Make equal margins along all four edges of the BACK (M). Push on opposite corners of your unit if needed to make it "square".
- ✚ Fasten the BACK (M) to your unit using the NAILS (5).



Do not stand the unit upright without the BACK fastened. The unit may collapse.



Step 15

- ✚ Open the ELECTRIC FIREPLACE (T) box.
- ✚ Fasten two SHORT FLANGES to the vertical edges of the FIREPLACE (T) as shown. Use four screws from the FIREPLACE pack.
- ✚ Fasten the LONG FLANGE horizontally to the top edge of the FIREPLACE (T) as shown. Use two screws from the FIREPLACE pack.
- ✚ NOTE: The smaller edge of the FLANGE will be fastened to the FIREPLACE and the larger edge will be fastened to your unit.

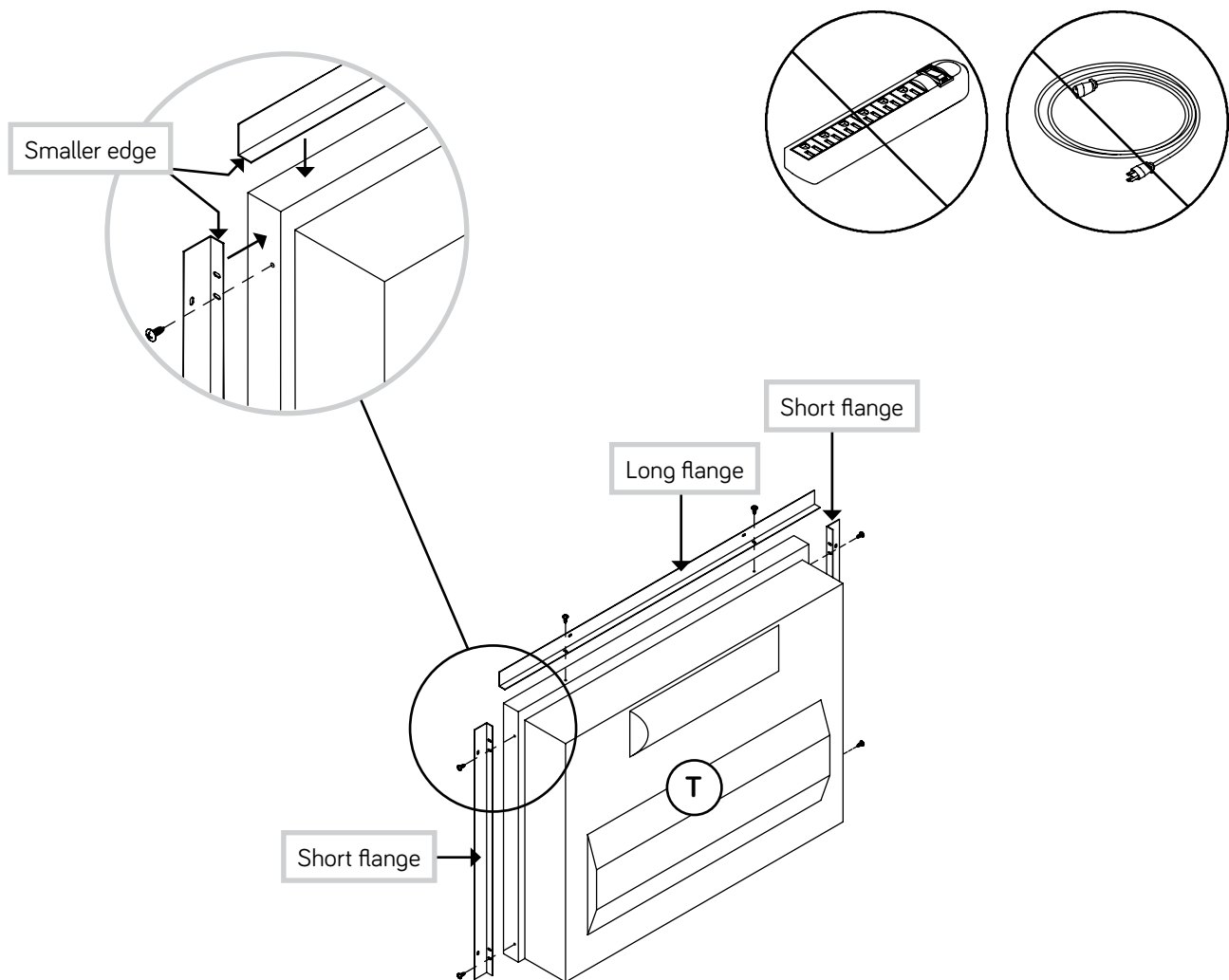
Caution

Please read all FIREPLACE instructions prior to installing or removing it from your unit.

Connect to properly grounded outlets only. Always plug heaters directly into a wall outlet/receptacle. Never use with an extension cord or reloadable power tap (outlet/power strip).

Do not plug the FIREPLACE into the power supply until it is installed and your unit is in its final position. Do not move the FIREPLACE while it is plugged into a power supply. Unplug it before moving it.

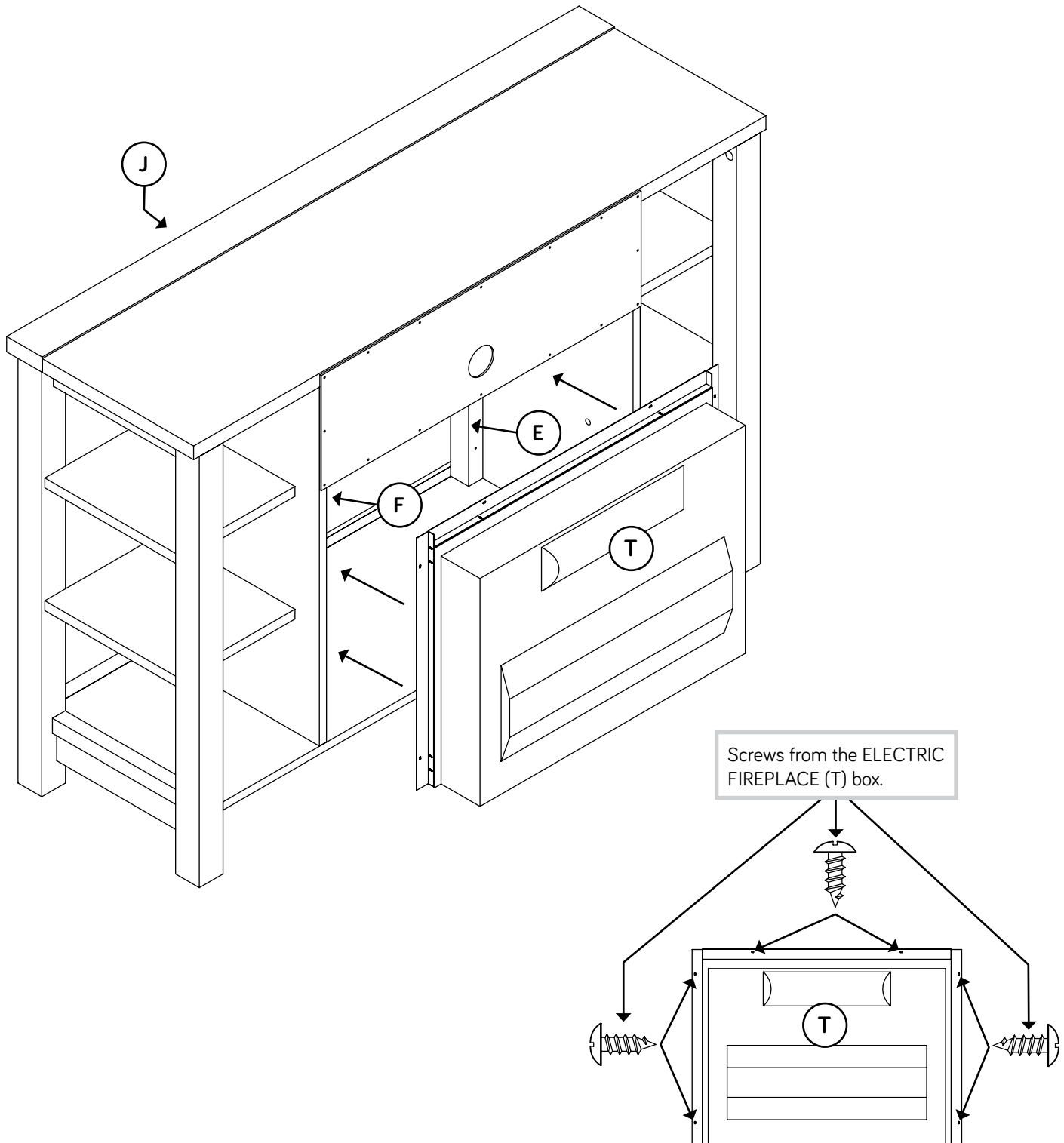
When installing or removing the FIREPLACE, move it in or out from the back, to keep from scratching the top surface of the bottom.



Step 16

- ⚡ Carefully stand your unit upright.
- ⚡ Fasten the ELECTRIC FIREPLACE (T) to the UPRIGHTS (E and F) and SHELF MOLDING (J). Use the screws from the FIREPLACE pack.

Zzz Almost time to celebrate! With a nap.

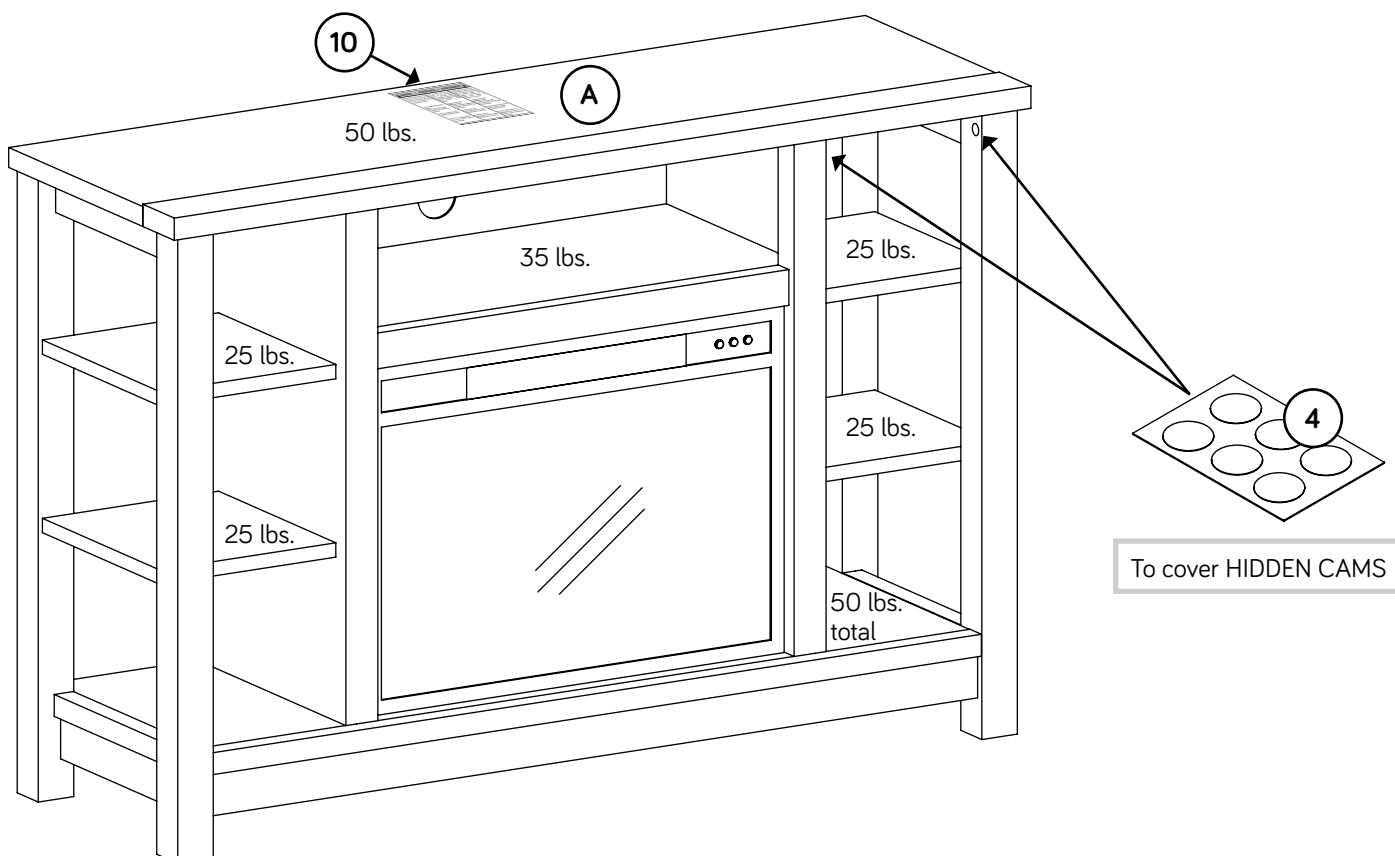


Step 17

- ✦ Peel APPLIQUES from the APPLIQUE CARDS (4) and stick them onto each visible HIDDEN CAM.
- ✦ Apply the WARNING LABEL (10) to the TOP (A). You should be able to read the label when the TV is removed from the unit. Peel off the backing and apply the label as shown in the diagram.
- ✦ NOTE: This is a permanent label intended to last for the life of the product. Once applied, do not try to remove it.
- ✦ NOTE: Please read the back pages of the instruction booklet for important safety information.
- ✦ This completes assembly. Clean with a damp cloth. Wipe dry.



⚠ WARNING	• ADVERTENCIA	• AVERTISSEMENT	⚠
<p>Never use this furniture with a TV that is too large or too heavy. Severe injury or death can occur. The TV and furniture will be unstable and may tip.</p> <p>-The TV must weigh less than 50 lbs. -The base of the TV must be able to sit completely on this shelf.</p> <p>Refer to instruction book for complete safety information.</p> <p><i>Note: This is a <u>permanent</u> label. Do not try to remove. Surface will be damaged.</i></p>	<p>Nunca use este mueble con un televisor que es demasiado grande o demasiado pesado. Podría resultar en una lesión grave hasta fatal. El televisor y el mueble estarán inestables y pueden volcarse.</p> <p>-El televisor debe pesar 22,68 kg o menos. -La base del televisor debe poder colocarse completamente sobre este estante.</p> <p>Consulte el folleto de instrucciones para información completa sobre la seguridad.</p> <p><i>Nota: Esta etiqueta es <u>permanente</u>. No intente quitarla. Causará daño a la superficie.</i></p>	<p>Ne jamais utiliser ce meuble avec un téléviseur qui soit trop large ou trop lourd. Risque de provoquer des blessures graves, voire mortelles. Le téléviseur et le meuble seront instables et risquent de se renverser.</p> <p>-Le téléviseur doit peser 22,68 kg ou moins. -Le socle du téléviseur doit pouvoir être placé complètement sur cette tablette.</p> <p>Consulter le manuel d'instructions pour information complète concernant la sécurité.</p> <p><i>Remarque: Cette étiquette est <u>permanente</u>. Ne pas essayer de la retirer. Causera des dommages à la surface.</i></p>	



WARNING

Please use your furniture correctly and safely. Improper use can cause safety hazards, or damage to your furniture or household items. Carefully read the following safety information.

Death or serious injury may occur when children climb on audio and/or video equipment furniture. A remote control or toys placed on the furnishing may encourage a child to climb on the furnishing and as a result may tip over onto the child.

NEVER allow children to climb or play with the TV or furnishing supporting the TV.

NEVER place toys, food, remote, etc. on top of the TV or TV furnishing.

ALWAYS use either the safety hardware as instructed or other wall anchoring device.

Relocating audio and/or video equipment to furniture not specifically designed to support audio and/or video equipment may result in death or serious injury due to furniture collapse or over turning onto a child.

NEVER place a TV on furniture that is not intended to support a TV.

NEVER exceed the maximum size and weight of the TV shown in the instructions.

Be sure to apply the TV warning label as shown in the instructions.

Overloading drawers and shelves may result in furniture that can break or sag, or tip-over which may result in injury.

NEVER exceed the weight limits shown in the instructions.

Place the heavier items on lower shelves as far back from the front as possible.

Load the bottom surfaces first to avoid top-heavy furniture.

Moving furniture that is not designed to be moved or equipped with casters may result in injury or damage to furnishings or personal property.

ALWAYS unload shelves and drawers, starting with the top surfaces, before moving.

NEVER push or pull furniture on carpet. Have a friend help lift properly to move and/or reposition it.

AVERTISSEMENT

Prière d'utiliser le mobilier à bon escient et avec prudence. Une mauvaise utilisation peut être à l'origine de risques d'accident ou peut endommager le mobilier et les articles ménagers.
Lire attentivement l'information suivante sur la sécurité.

La mort voire de graves blessures peuvent se produire lorsque des enfants grimpent sur le meuble audio et/ou de matériel vidéo. Une télécommande ou des jouets placés sur les meubles peuvent encourager un enfant à grimper sur les meubles et risquent de les renverser sur l'enfant.

NE JAMAIS laisser les enfants grimper sur ou jouer avec le téléviseur ou le meuble le supportant.

NE JAMAIS placer de jouets, d'aliments, de télécommande, etc. sur le téléviseur ou le meuble télé.

TOUJOURS utiliser soit la visserie de sécurité comme il l'est indiqué soit un autre dispositif d'ancrage mural.

Relocaliser du matériel audio et/ou vidéo sur un meuble non spécifiquement conçu pour supporter du matériel audio et/ou vidéo peut entraîner la mort voire de graves blessures l'effondrement du meuble ou son renversement sur un enfant.

NE JAMAIS placer de téléviseur sur un meuble non conçu pour supporter un téléviseur.

NE JAMAIS excéder la taille et le poids maximum du téléviseur indiqué sur les instructions.

S'assurer d'apposer l'étiquette d'avertissement téléviseur comme il l'est indiqué sur les instructions.

Surcharger les tiroirs et tablettes peut provoquer la casse, l'affaissement ou encore le renversement du meuble entraînant ainsi des blessures.

NE JAMAIS excéder les limites de poids indiquées sur les instructions.

Placer les articles plus lourds sur les tablettes inférieures aussi loin que possible de l'avant.

Charger les surfaces inférieures en premier pour éviter un meuble trop lourd en haut.

Déplacer un meuble qui n'est pas conçu pour être déplacé ou qui est équipé de roulettes peut entraîner des blessures voire des dommages de meuble ou de matériel personnel.

TOUJOURS décharger les tablettes et les tiroirs, en commençant par les surface supérieures, avant de déplacer le meuble.

NE JAMAIS pousser ou tirer un meuble sur de la moquette. Demander à une autre personne de le soulever correctement pour le déplacer et/ou le repositionner.

ADVERTENCIA

Por favor use el mobiliario correcta y seguramente. El mal uso puede causar riesgos de seguridad o daño a las unidades o artículos domésticos. Lea cuidadosamente la siguiente información de seguridad.

Pueden suceder lesiones graves o la muerte cuando los niños se suben en los muebles de equipo de audio y/o video. Un control remoto o juguetes colocados en el mueble pueden alentar a un niño a subirse en el mueble y como resultado puede derribarse sobre el niño.

NUNCA permita que los niños se suban o jueguen con el televisor o el mueble que sostiene el televisor.

NUNCA coloque juguetes, alimentos, control remoto, etc. encima del televisor o el mueble del televisor.

SIEMPRE utilice el soporte físico de seguridad según las instrucciones u otro dispositivo de anclaje en la pared.

La reubicación de equipos de audio y/o video a muebles que no estén específicamente diseñados para soportar equipos de audio y/o video puede resultar en muerte o lesiones graves debido al colapso de los muebles o al darse vuelta encima de un niño.

NUNCA coloque un televisor en muebles que no estén diseñados para soportar un televisor.

NUNCA exceda el tamaño y peso máximo del televisor indicado en las instrucciones.

Asegúrese de aplicar la etiqueta de advertencia del televisor como se indica en las instrucciones.

El sobrecargar los cajones y estantes puede resultar en muebles que se puedan romper o colapsar o derribar, lo que puede resultar en lesiones.

NUNCA exceda los límites de peso indicados en las instrucciones.

Coloque los artículos más pesados en los estantes inferiores cuanto lejos de la parte delantera sea posible.

Cargue las superficies inferiores primero para evitar muebles con la parte superior pesada.

El mover muebles que no estén diseñados para ser movidos o equipados con ruedas puede resultar en lesiones o daños al mueble o a los bienes personales.

SIEMPRE descargue los estantes y cajones, empezando con las superficies superiores, antes de moverlo.

NUNCA empuje ni tire de los muebles sobre una alfombra. Obtenga que un amigo le ayude a levantarlo correctamente para moverlo y/o reposicionarlo.