

Coffee Table - LH216L2

Assembly Instructions



Safety And Maintanances

Important - Please read these instructions carefully before assembly

Please verify that all the components and tools listed have been received.

Please remove all fittings from the box and separate them into homologous groups.

Please keep children and animals away from the working areas;swallow small parts may cause suffocation.

Please make sure you have enough space to lay out the parts before starting.

Please assemble the products as close to their final position as possible.

Do not place furniture directly in front of radiators, fires, or any other source of heat.

Having two people will make the assembly process easier.

Please dispose of all packaging carefully and responsibly.



General care and maintenance

Please clean the product with a damp cloth; do not use bleach or abrasive cleaners.

Do not allow the spill to stay on the surface for a long time.

Do not clean with products containing the following: acetone(e.g.,nail varnish remover), ammonia(e.g.,bleach),or sodium hydroxide(e.g.,caustic soda, drain and oven cleaners).

Please check whether there are missing screws in the product regularly.

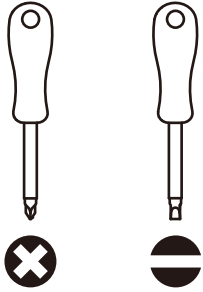
The product should not be discarded with household waste. and please take it to your local disposal center.



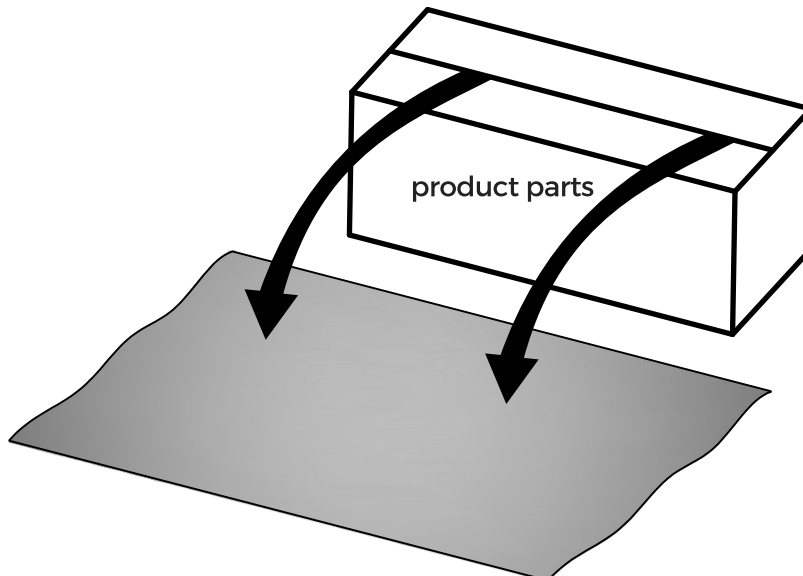
Safety And Maintanances

Important - Please read the instructions carefully before assembly.

Tools Required

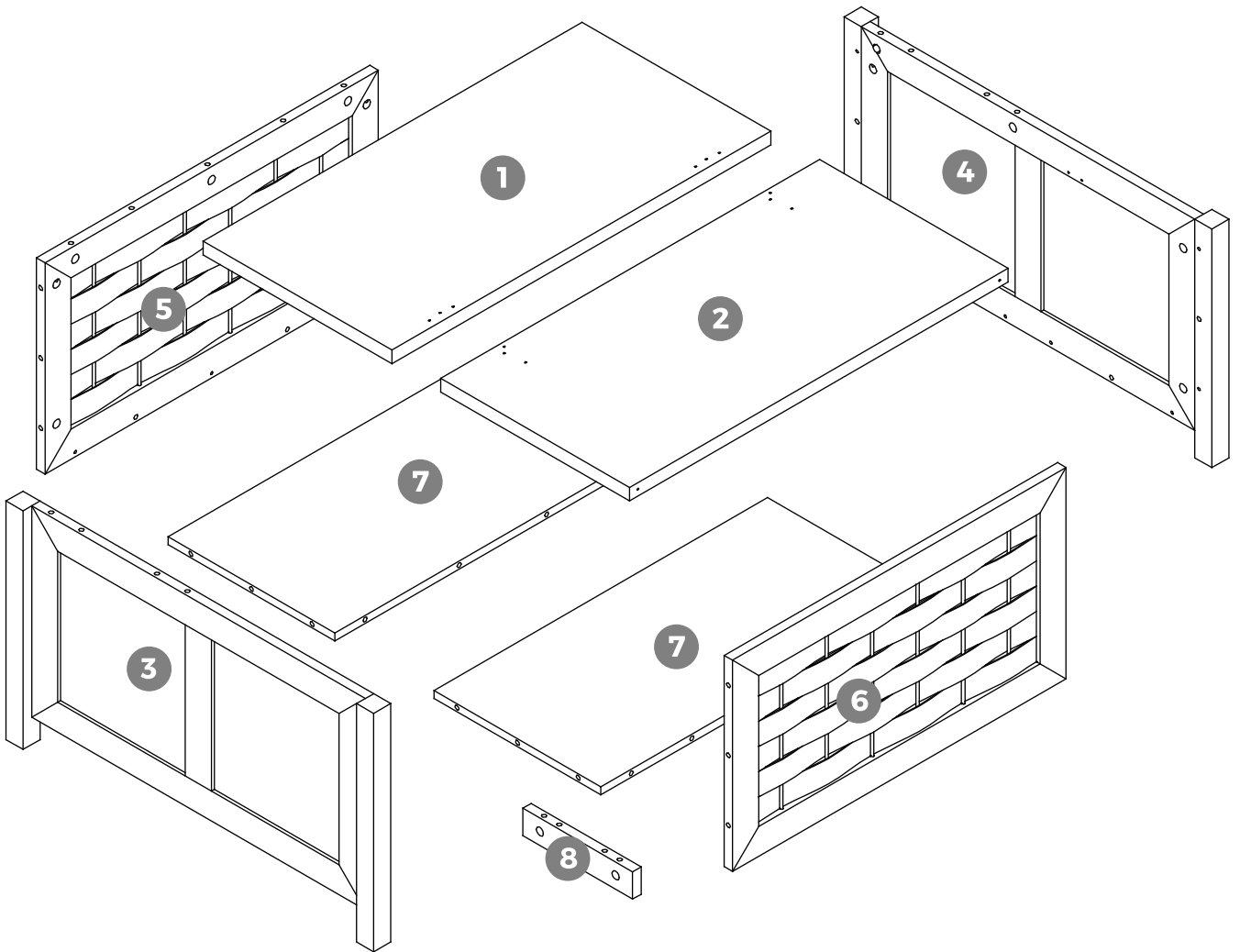


Lay a piece of clean paper or carpet on the floor, then put the product parts on it to prevent scratching.



Components

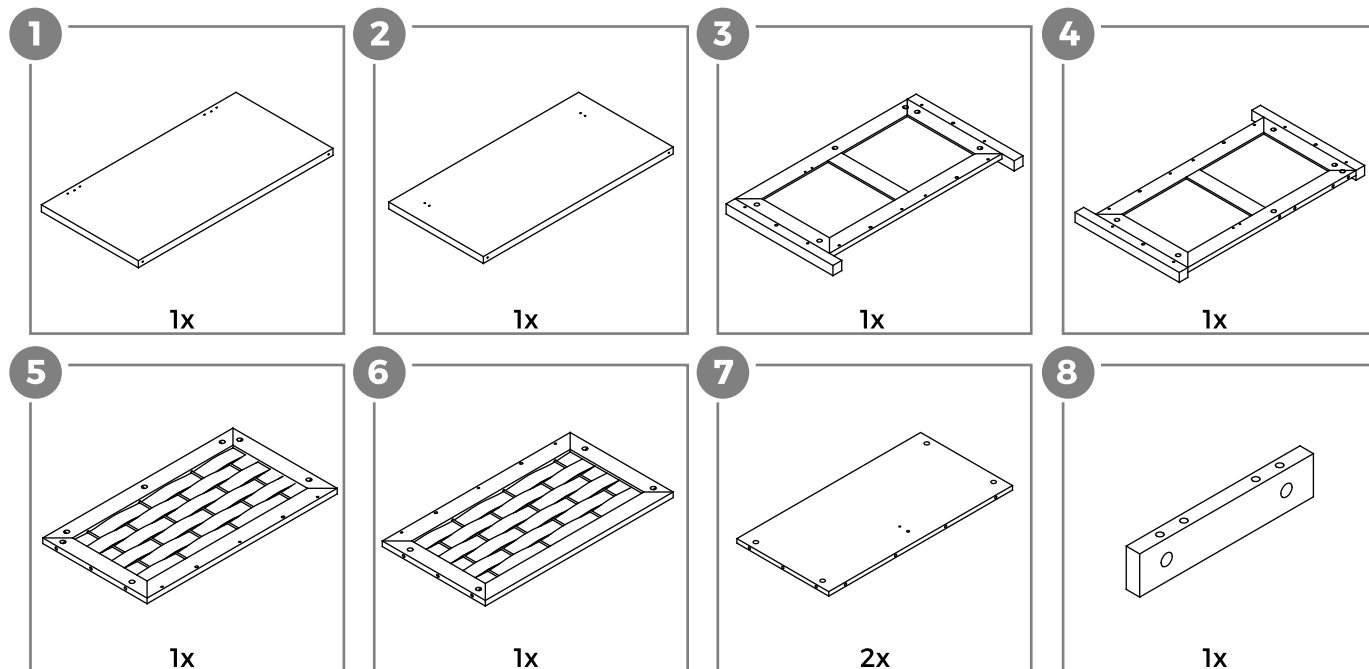
Please check if all the pieces listed below are received.



Components

Please check if all the pieces listed below are received.

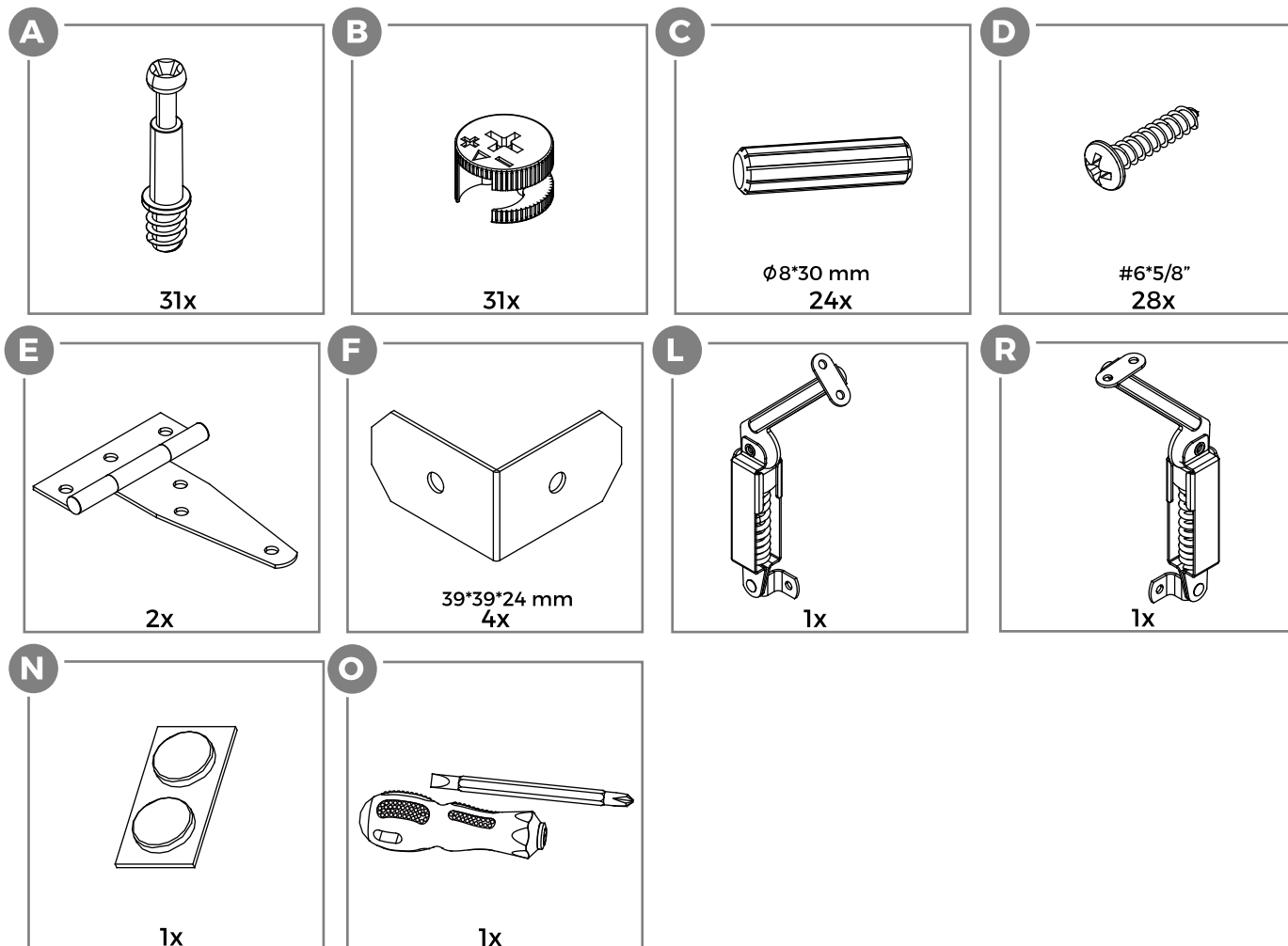
Parts



Components

Please check if all the pieces listed below are received.

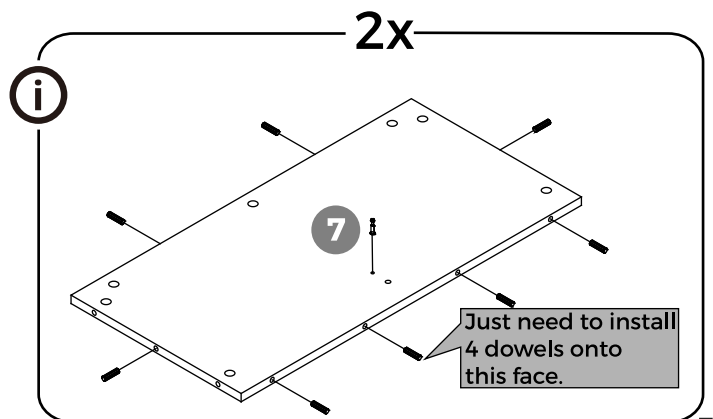
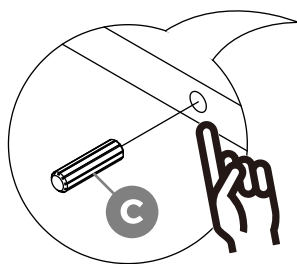
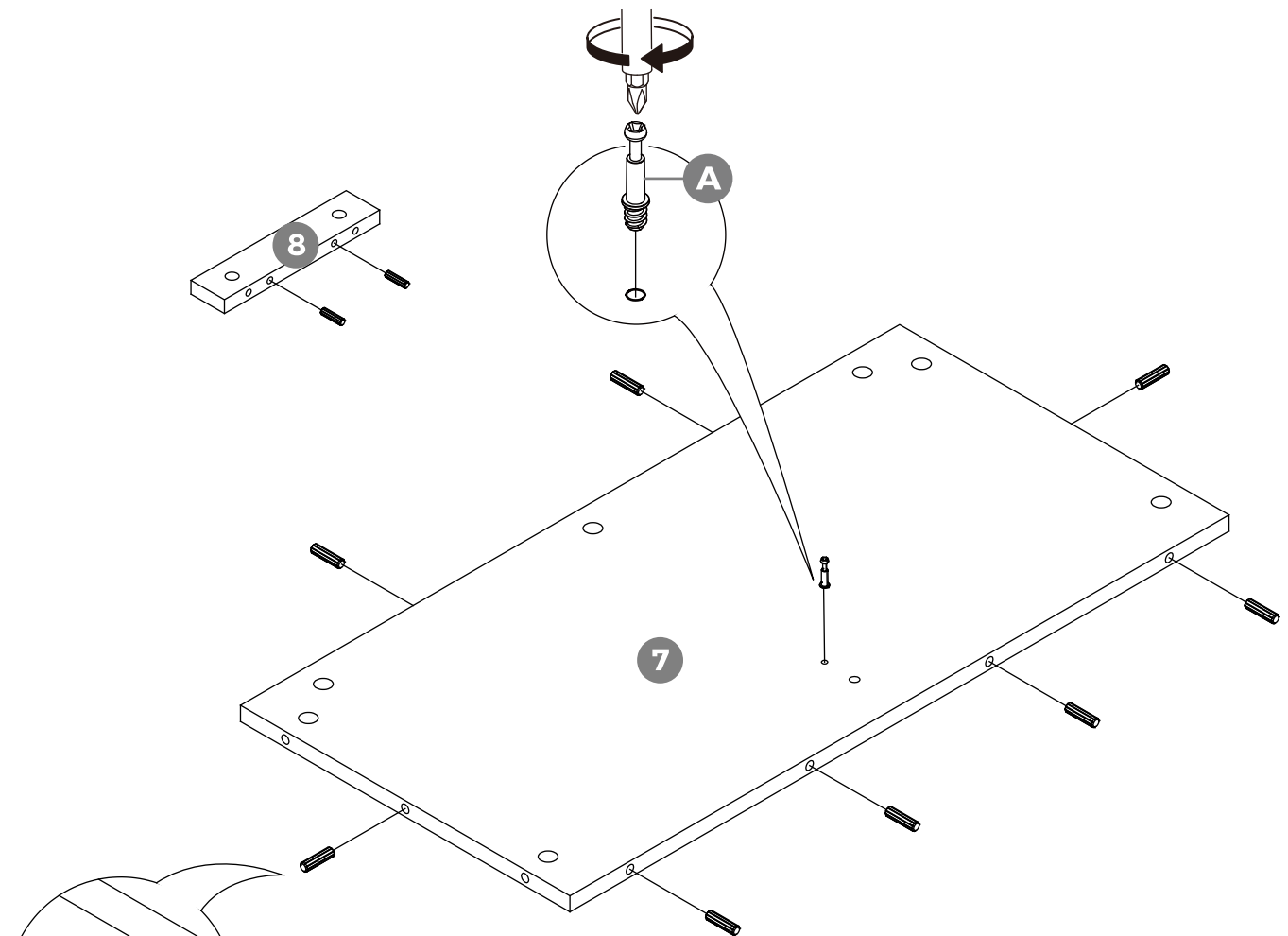
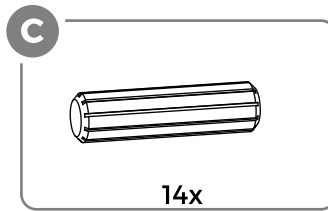
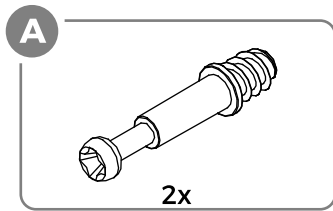
Hardware



Assembly Instructions

CAUTION : Inappropriate installation of screws will cause damages to the product !

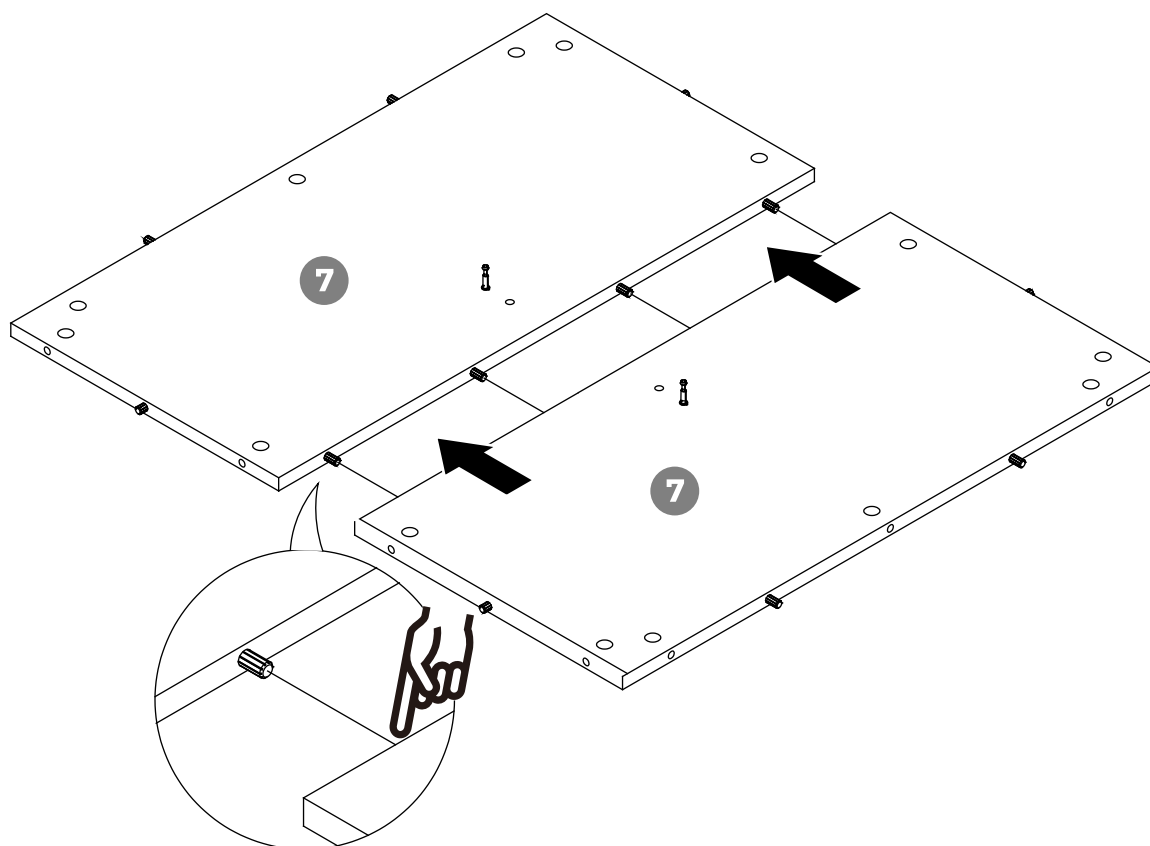
Step 1



Assembly Instructions

CAUTION : Inappropriate installation of screws will cause damages to the product !

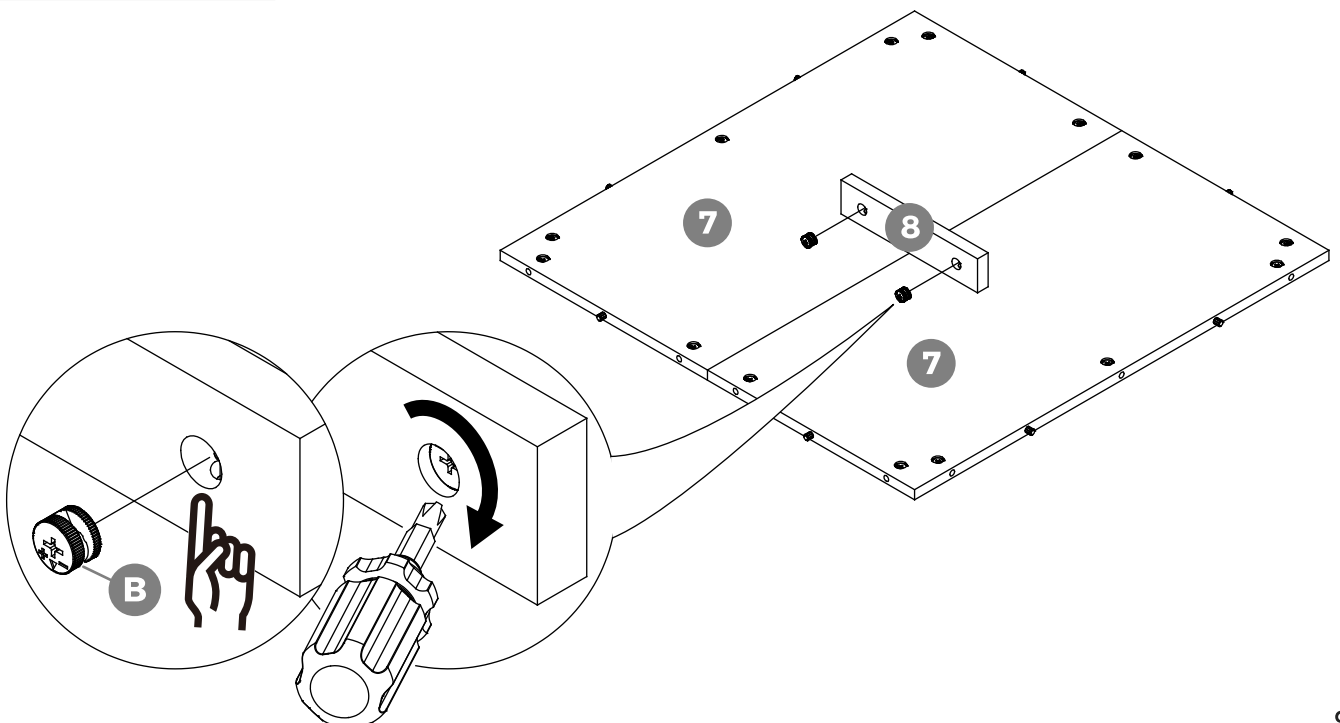
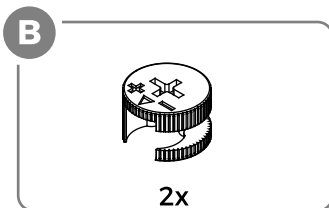
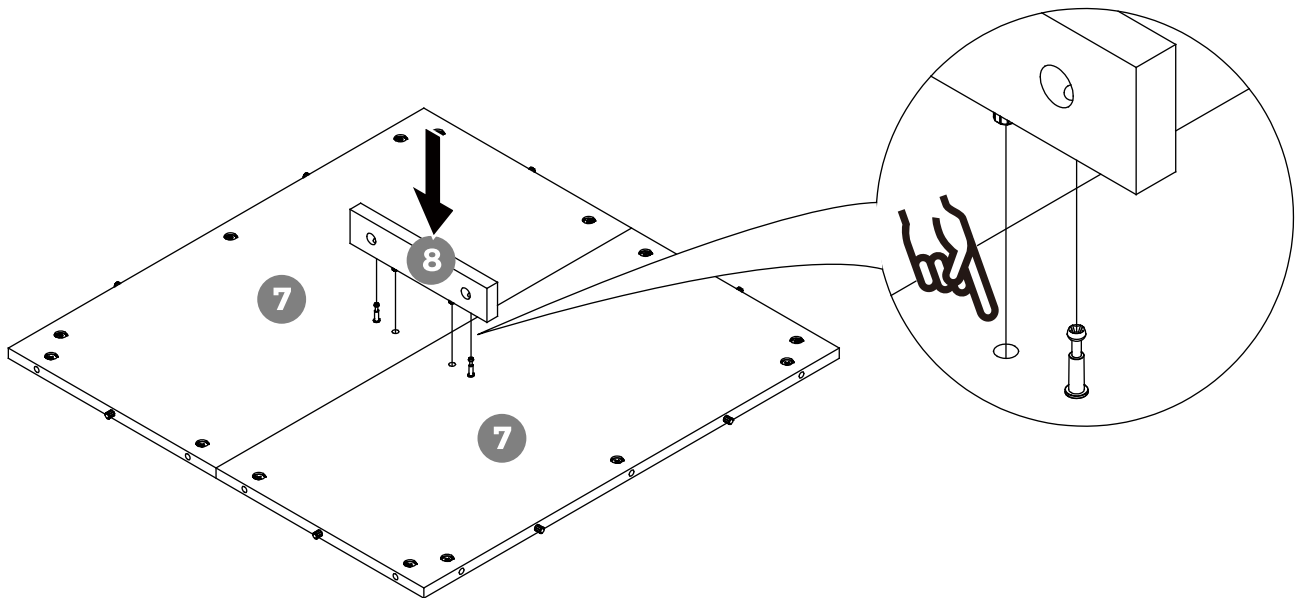
Step 2



Assembly Instructions

CAUTION : Inappropriate installation of screws will cause damages to the product !

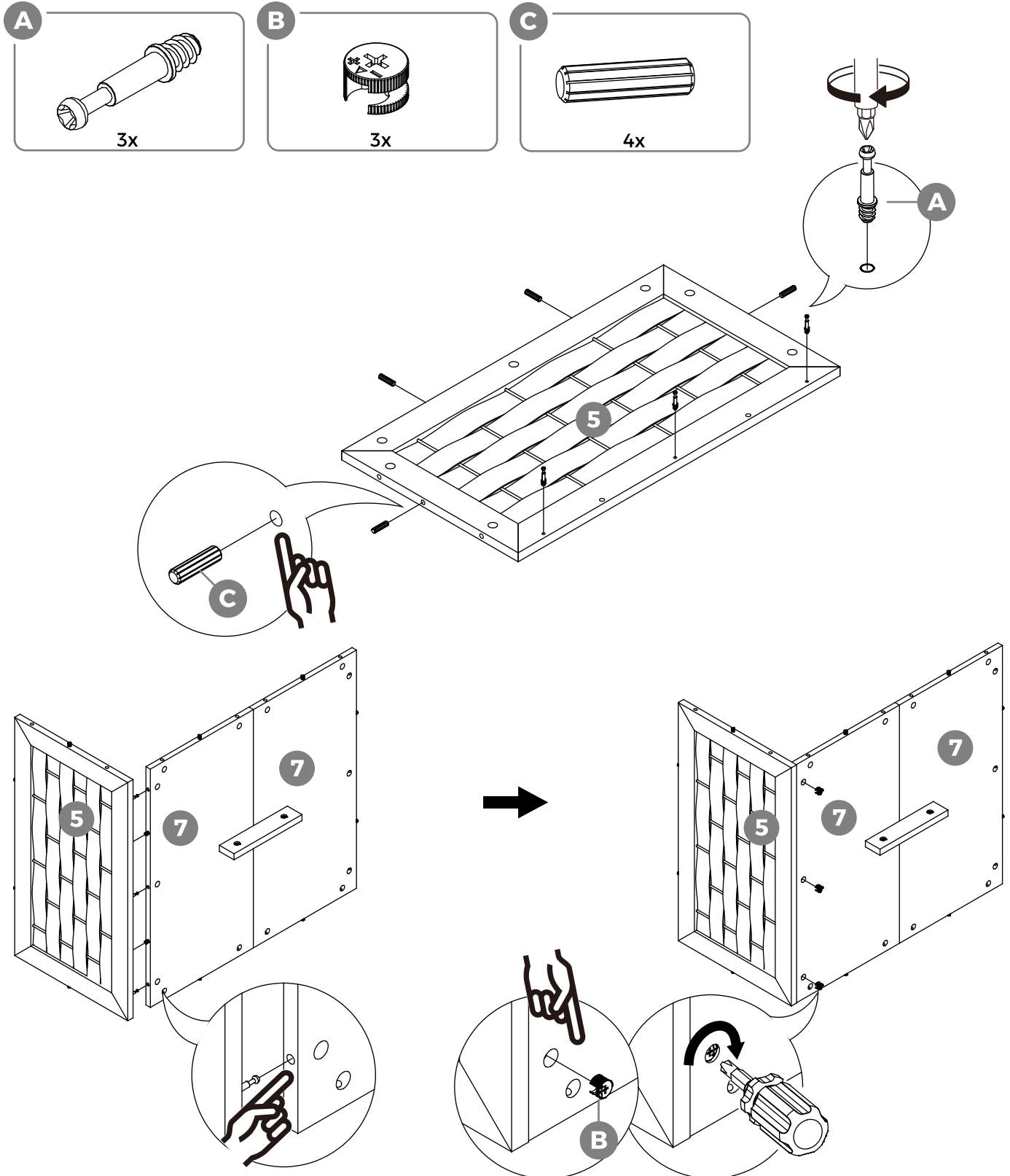
Step 3



Assembly Instructions

CAUTION : Inappropriate installation of screws will cause damages to the product !

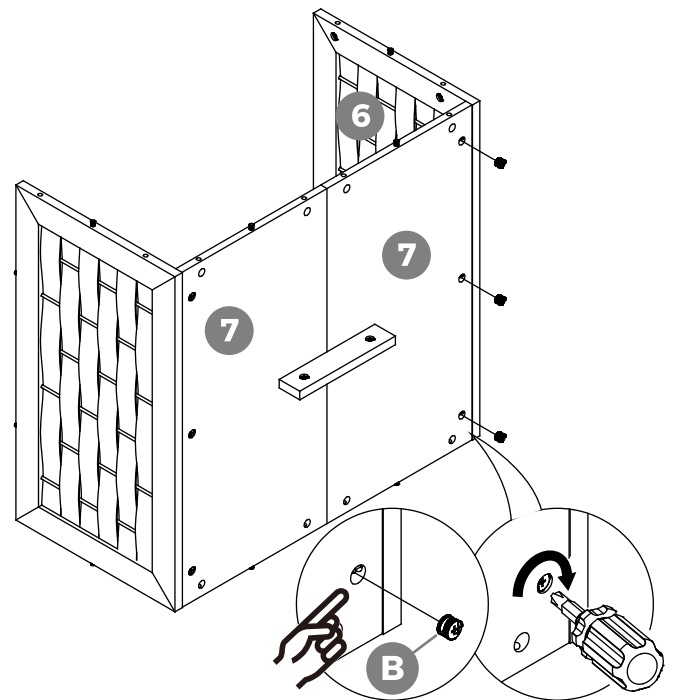
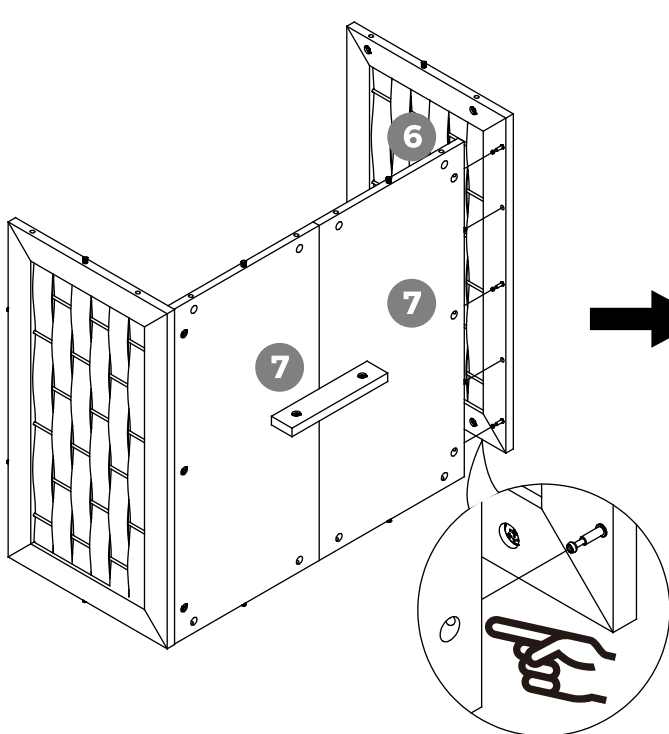
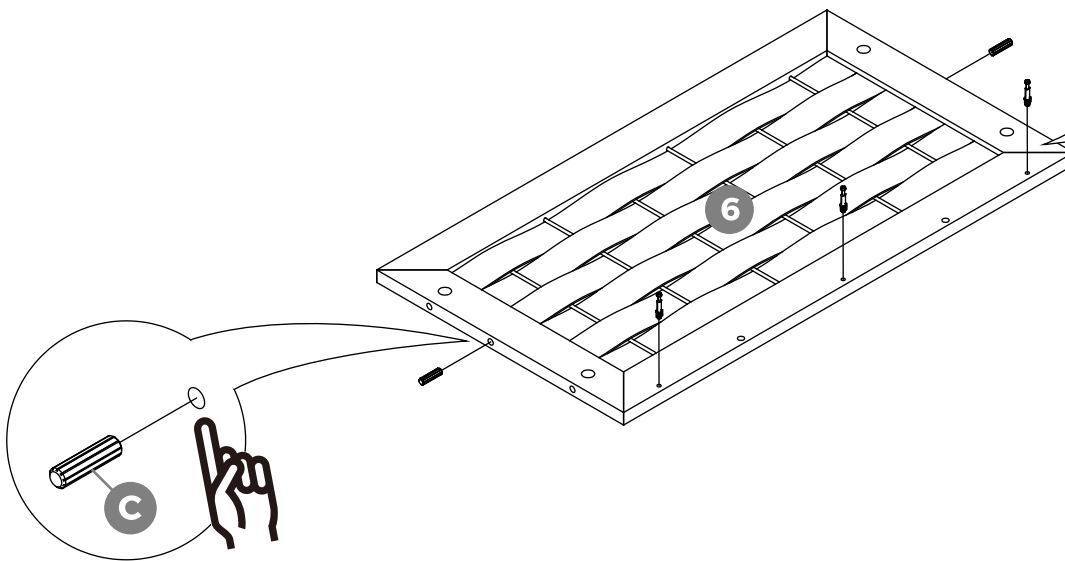
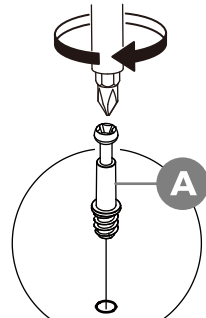
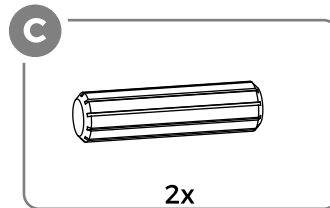
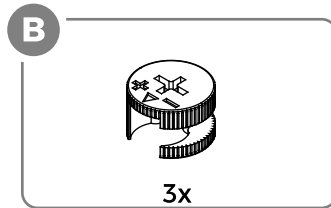
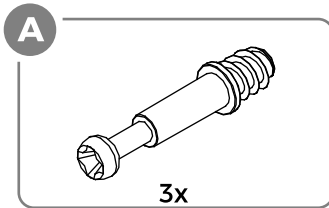
Step 4



Assembly Instructions

CAUTION : Inappropriate installation of screws will cause damages to the product !

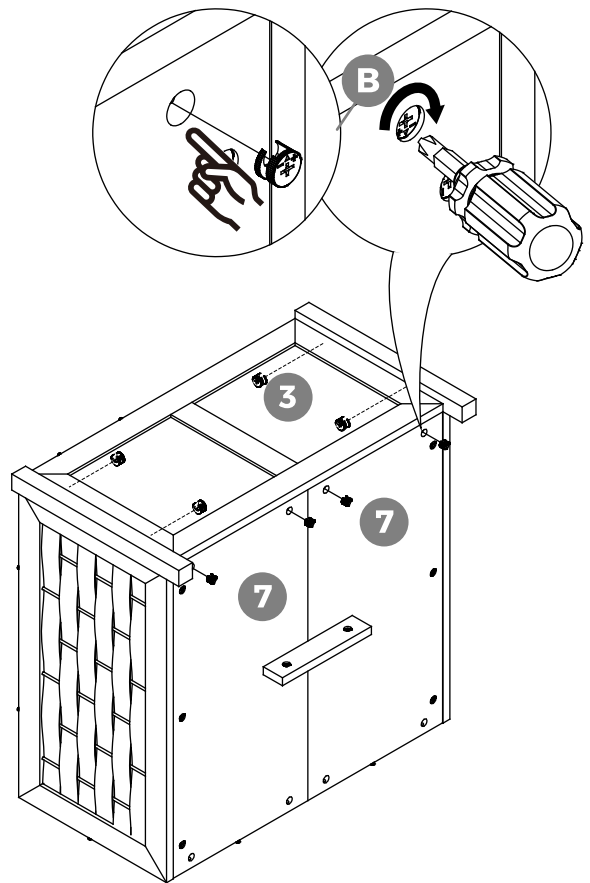
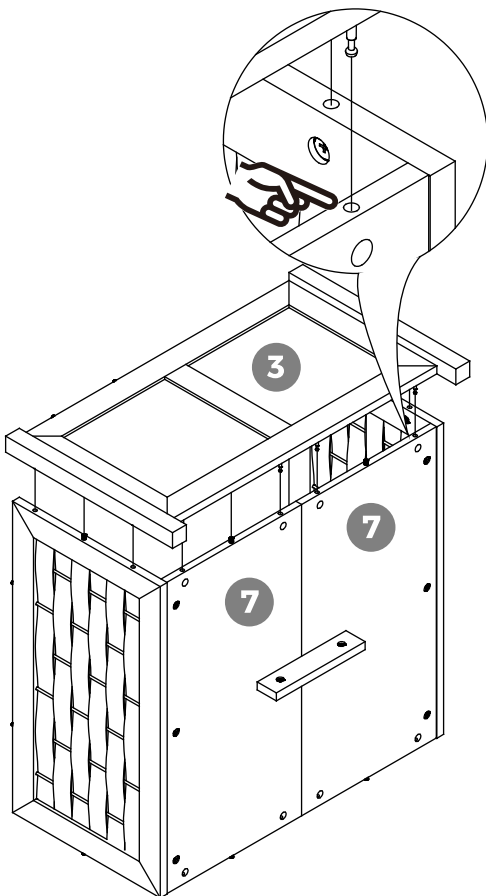
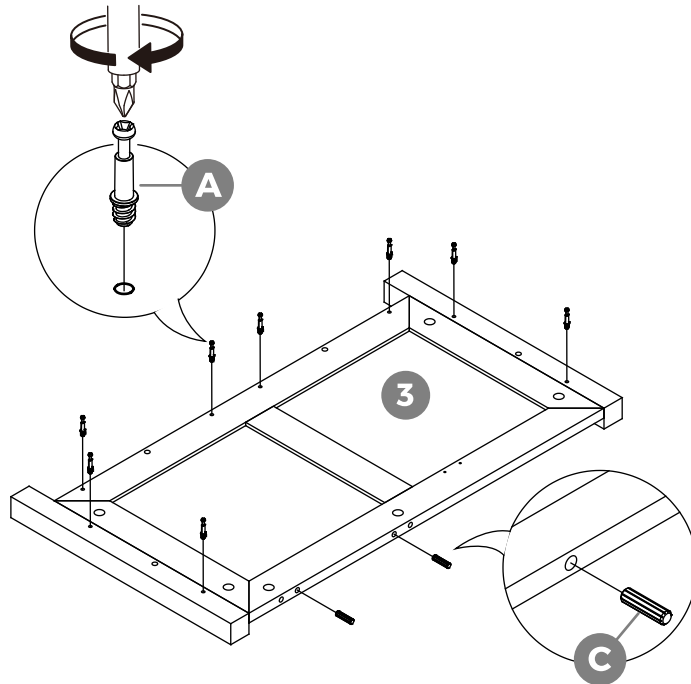
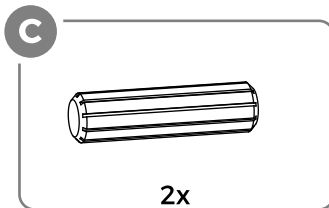
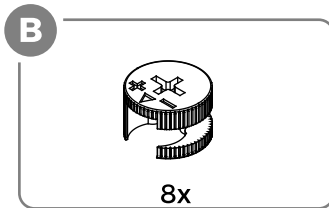
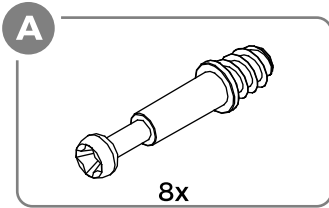
Step 5



Assembly Instructions

CAUTION : Inappropriate installation of screws will cause damages to the product !

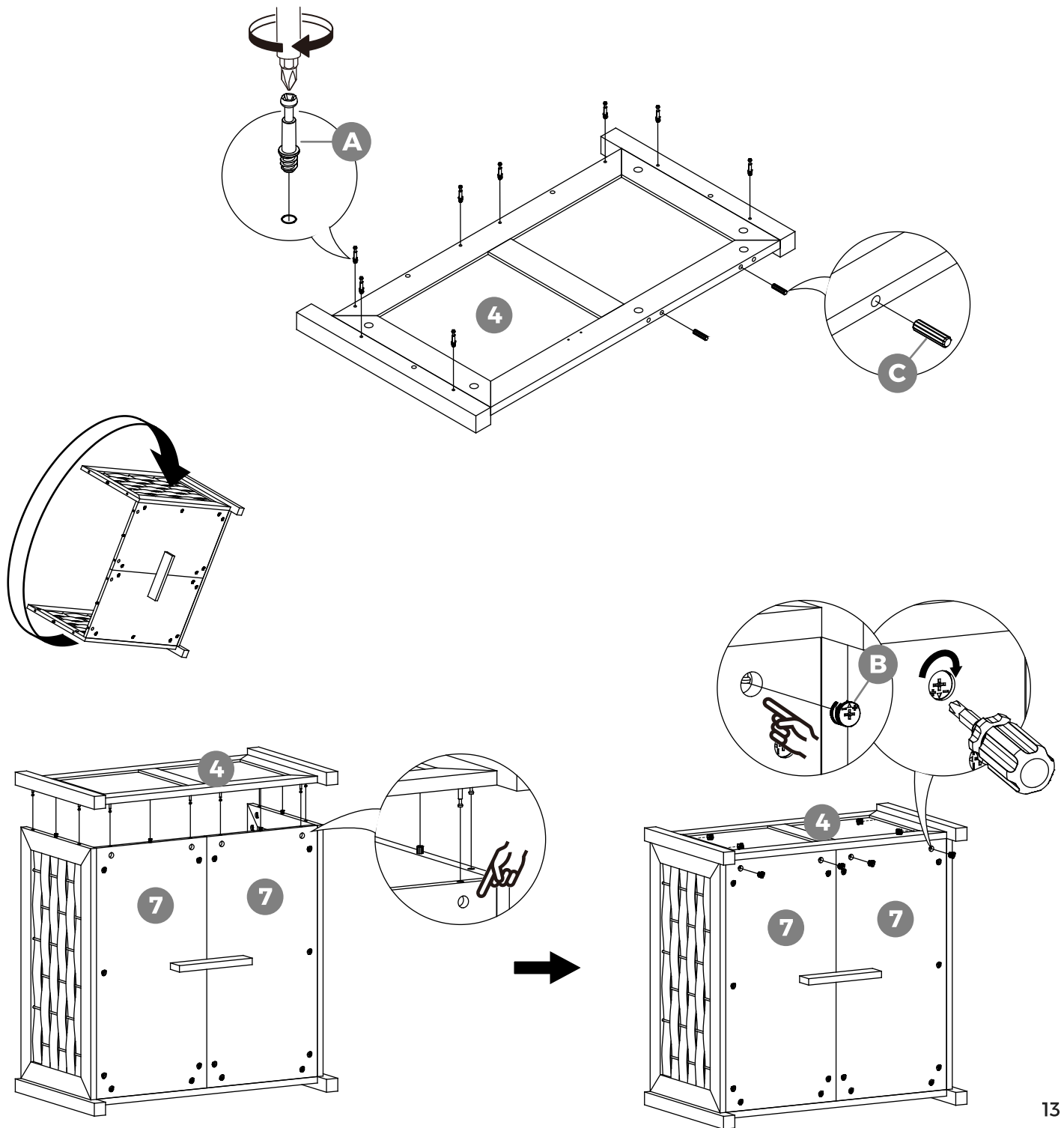
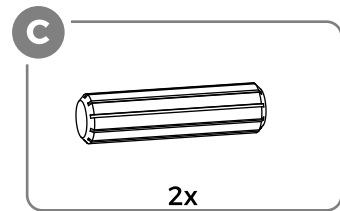
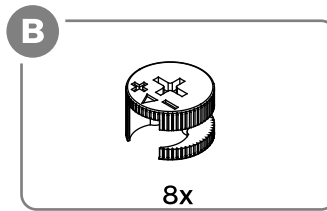
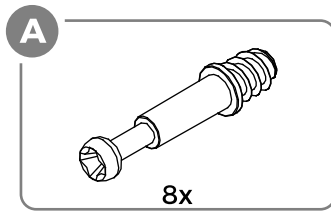
Step 6



Assembly Instructions

CAUTION : Inappropriate installation of screws will cause damages to the product !

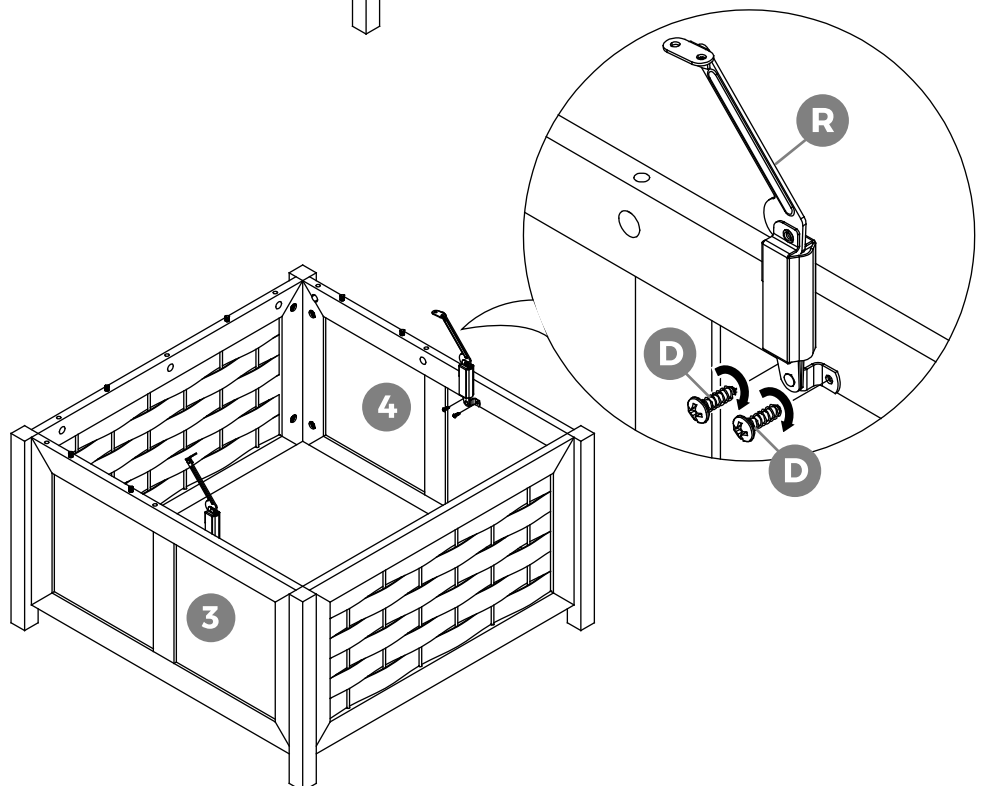
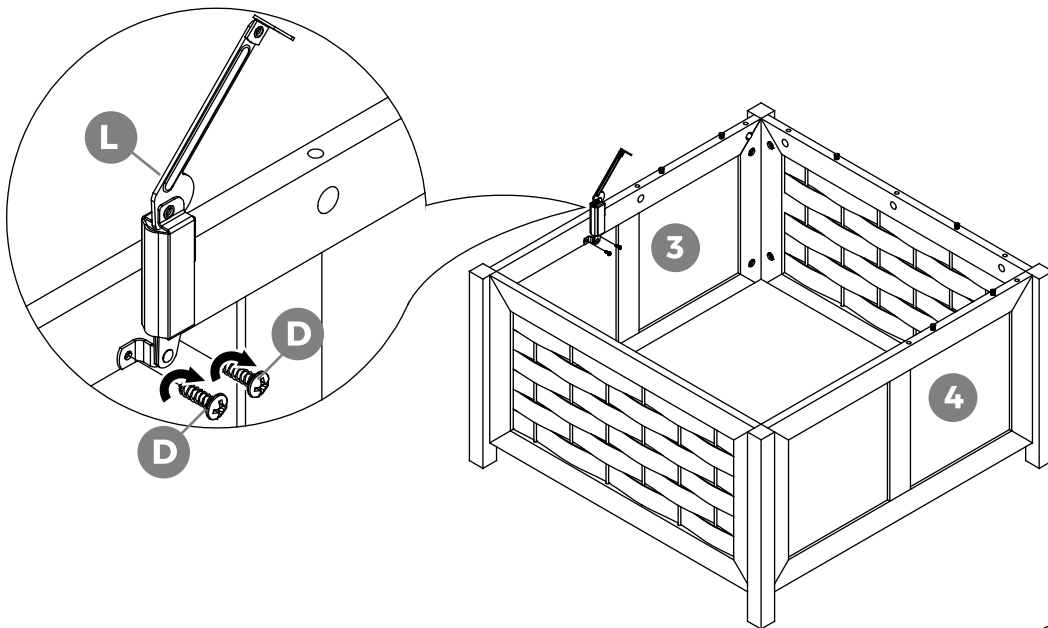
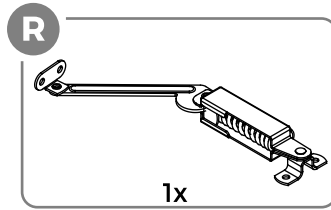
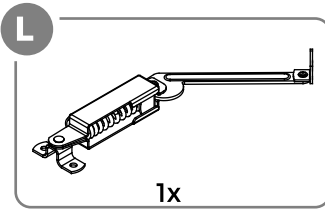
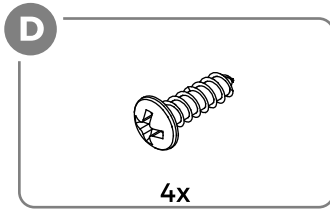
Step 7



Assembly Instructions

CAUTION : Inappropriate installation of screws will cause damages to the product !

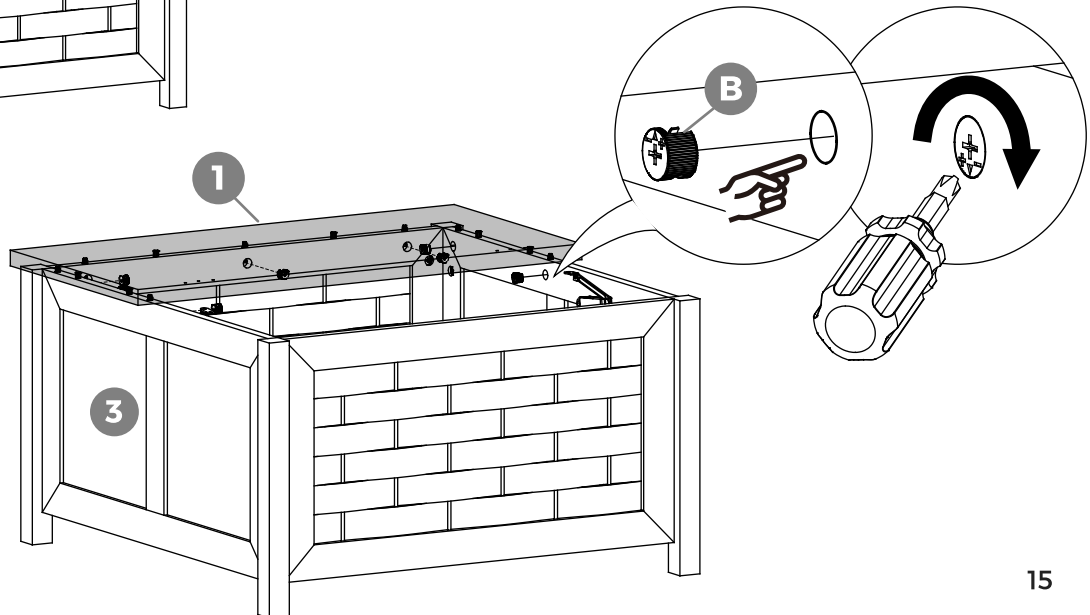
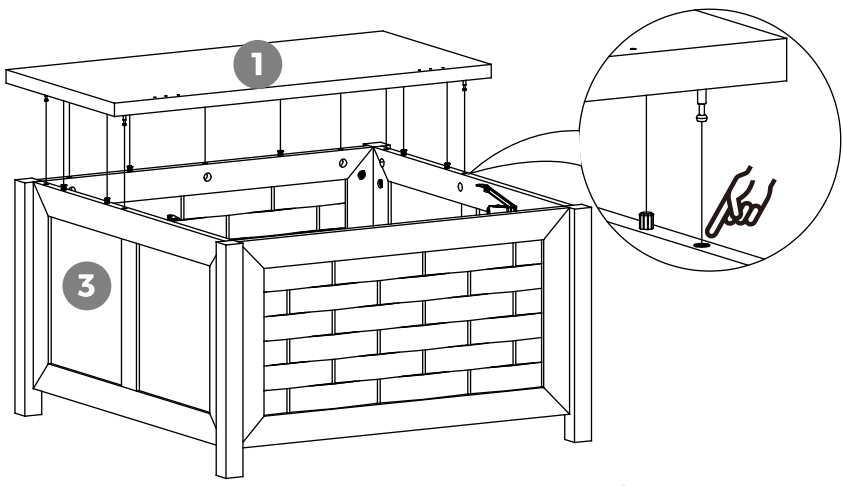
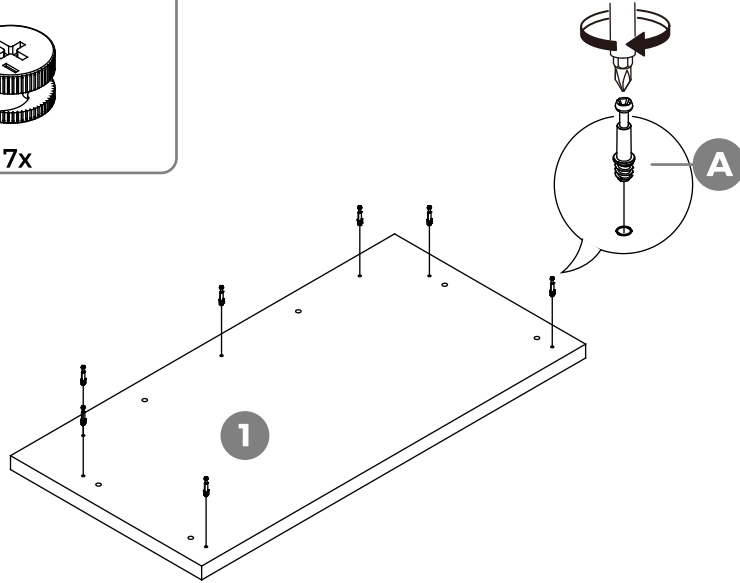
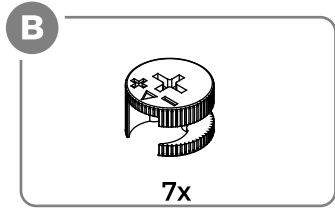
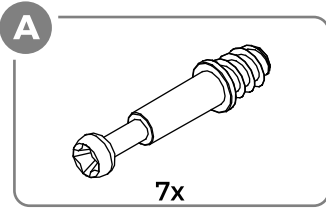
Step 8



Assembly Instructions

CAUTION : Inappropriate installation of screws will cause damages to the product !

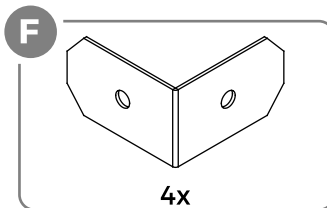
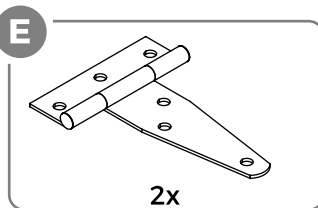
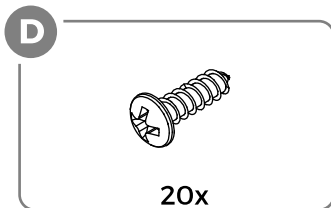
Step 9



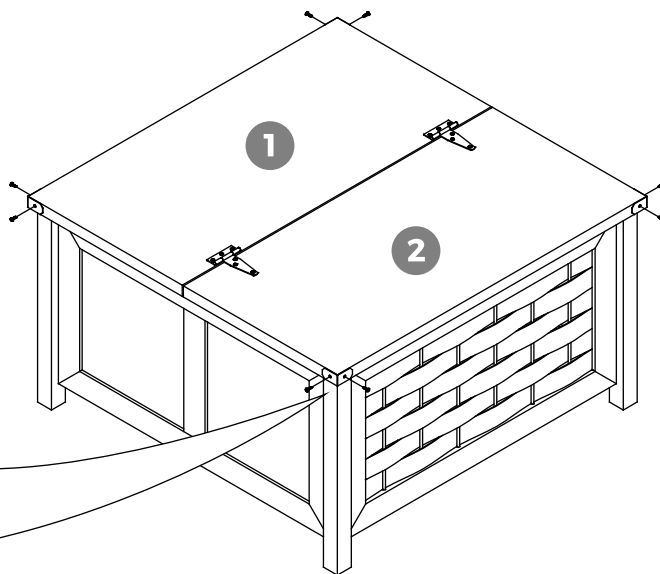
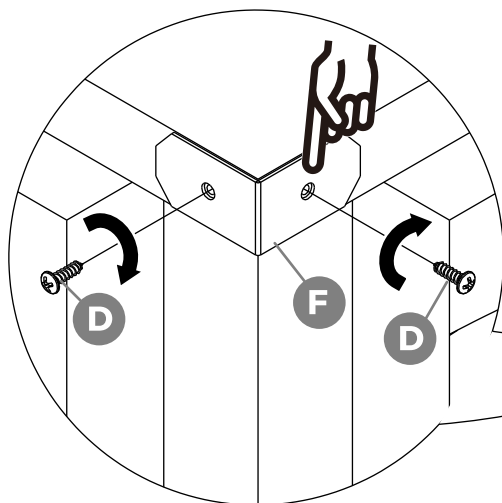
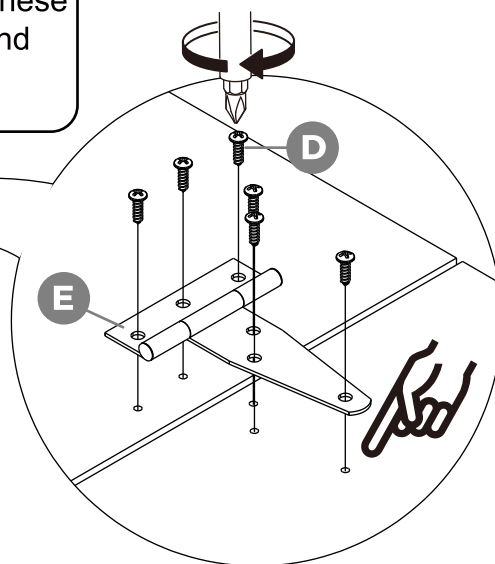
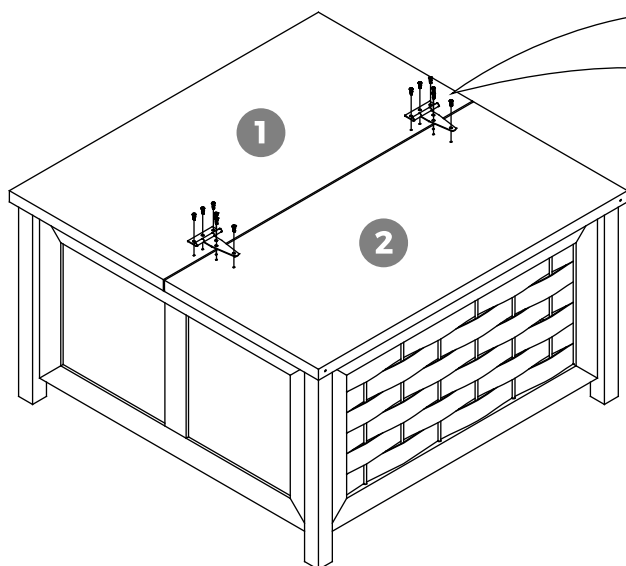
Assembly Instructions

CAUTION : Inappropriate installation of screws will cause damages to the product !

Step 10



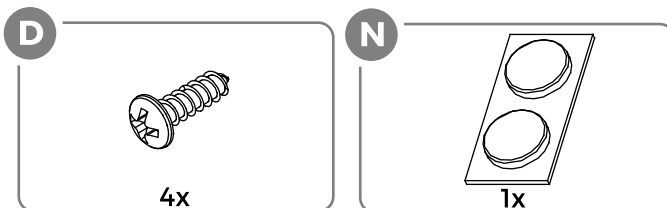
i Please note that when installing these two hinges, first align the holes and position them, then tighten them.



Assembly Instructions

CAUTION : Inappropriate installation of screws will cause damages to the product !

Step 11



i When installing this support rod, it is best to have two people present at the same time, one person holding the “board 2” with hands and the other one responsible for aligning the hole positions for installation.

