

Bookcase - LH216X1

Assembly Instructions



Safety And Maintanances

Important - Please read these instructions carefully before assembly

Please verify that all the components and tools listed have been received.

Please remove all fittings from the box and separate them into homologous groups.

Please keep children and animals away from the working areas;swallow small parts may cause suffocation.

Please make sure you have enough space to lay out the parts before starting.

Please assemble the products as close to their final position as possible.

Do not place furniture directly in front of radiators, fires, or any other source of heat.

Having two people will make the assembly process easier.

Please dispose of all packaging carefully and responsibly.



General care and maintenance

Please clean the product with a damp cloth; do not use bleach or abrasive cleaners.

Do not allow the spill to stay on the surface for a long time.

Do not clean with products containing the following: acetone(e.g.,nail varnish remover), ammonia(e.g.,bleach),or sodium hydroxide(e.g.,caustic soda, drain and oven cleaners).

Please check whether there are missing screws in the product regularly.

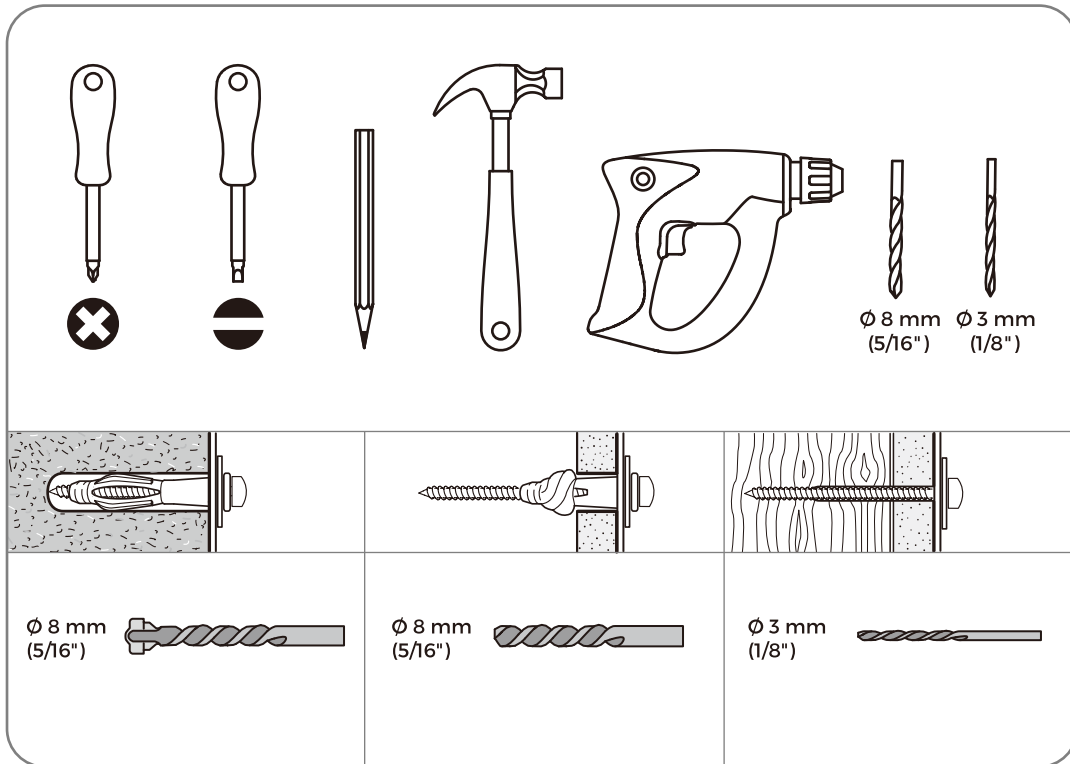
The product should not be discarded with household waste. and please take it to your local disposal center.



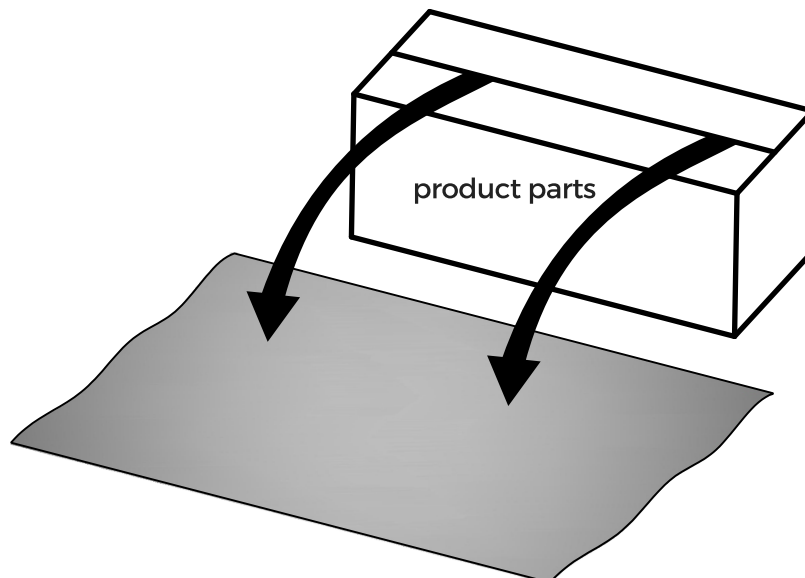
Safety And Maintanances

Important - Please read the instructions carefully before assembly.

Tools Required

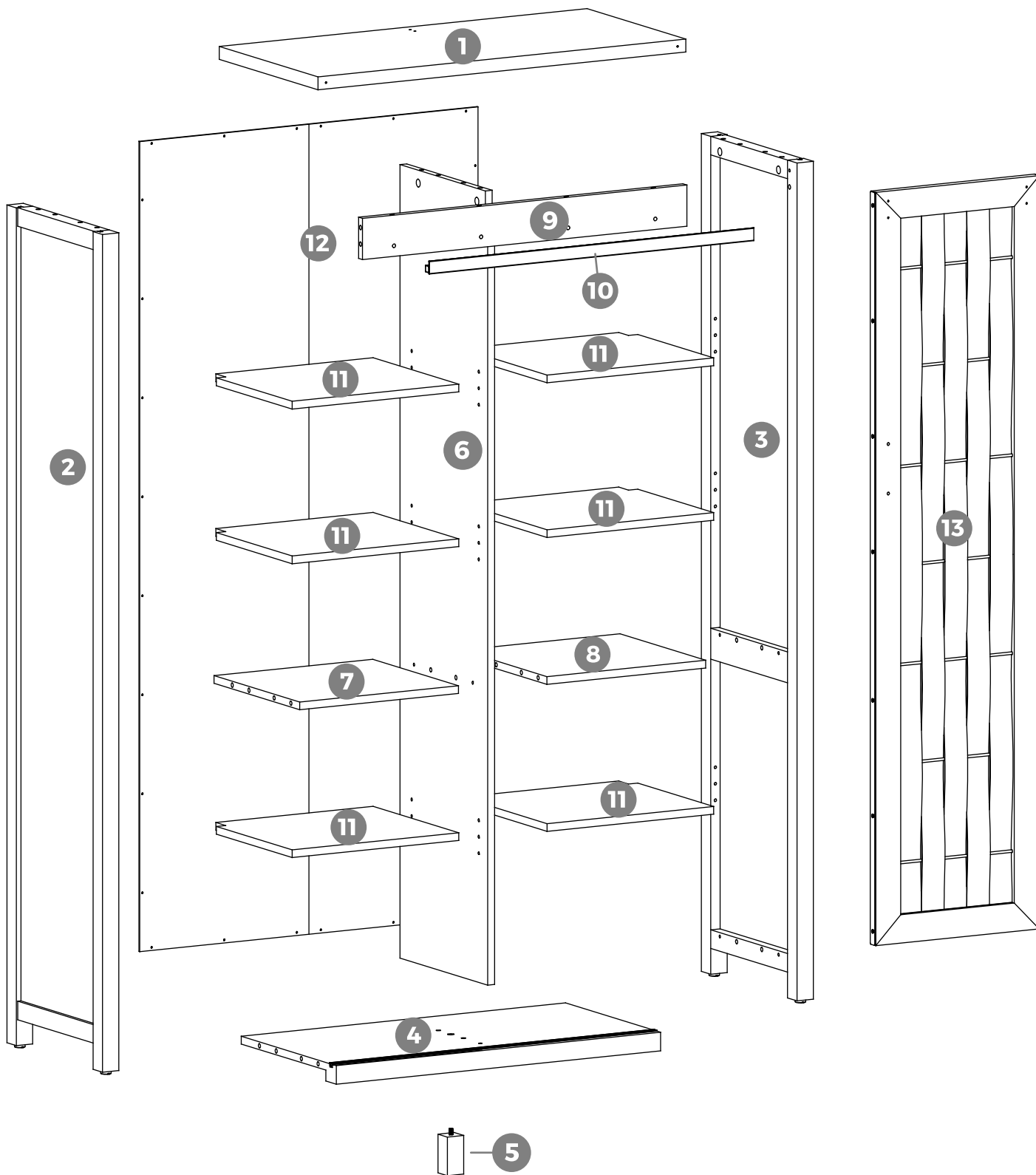


Lay a piece of clean paper or carpet on the floor, then put the product parts on it to prevent scratching.



Components

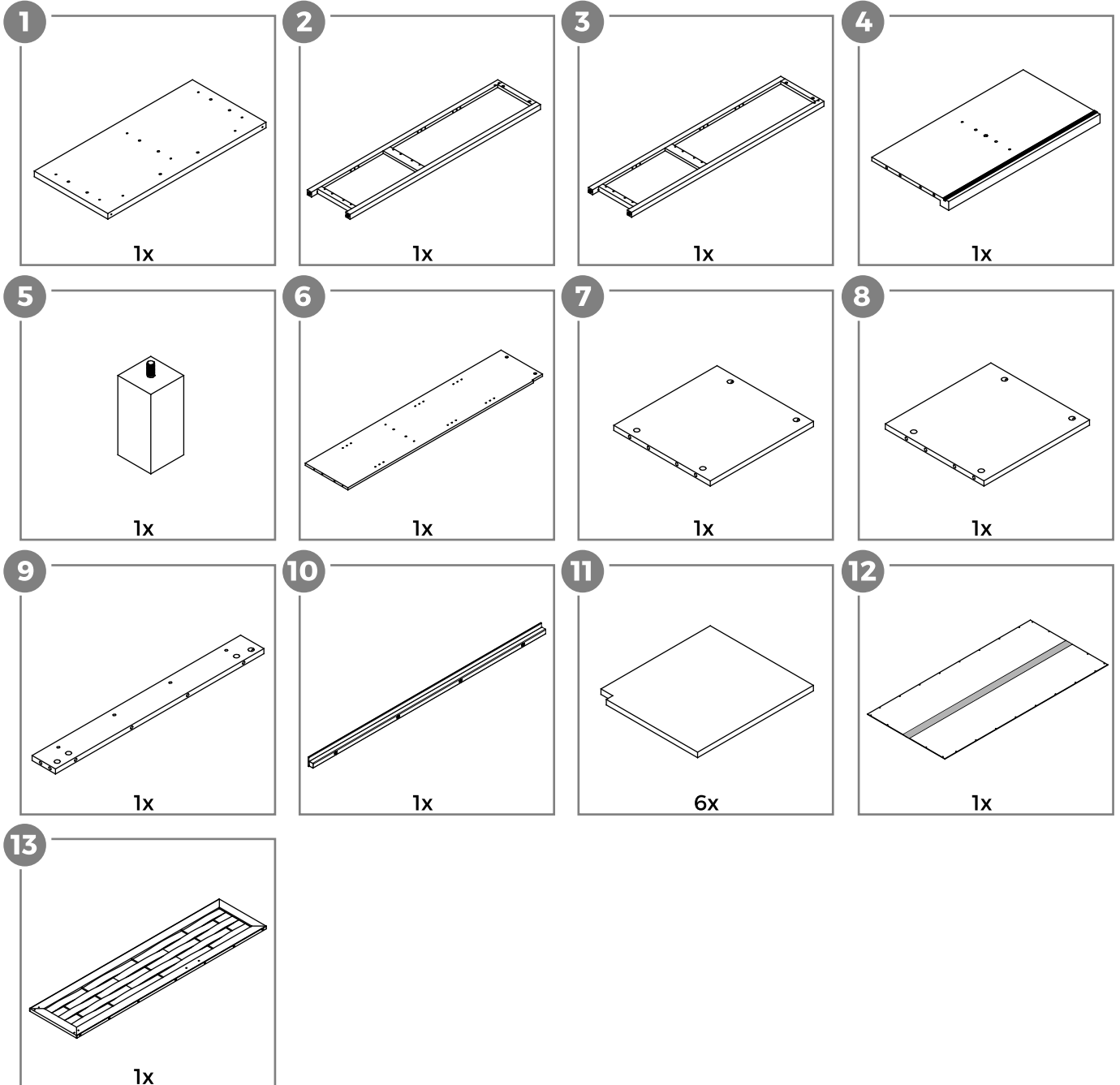
Please check if all the pieces listed below are received.



Components

Please check if all the pieces listed below are received.

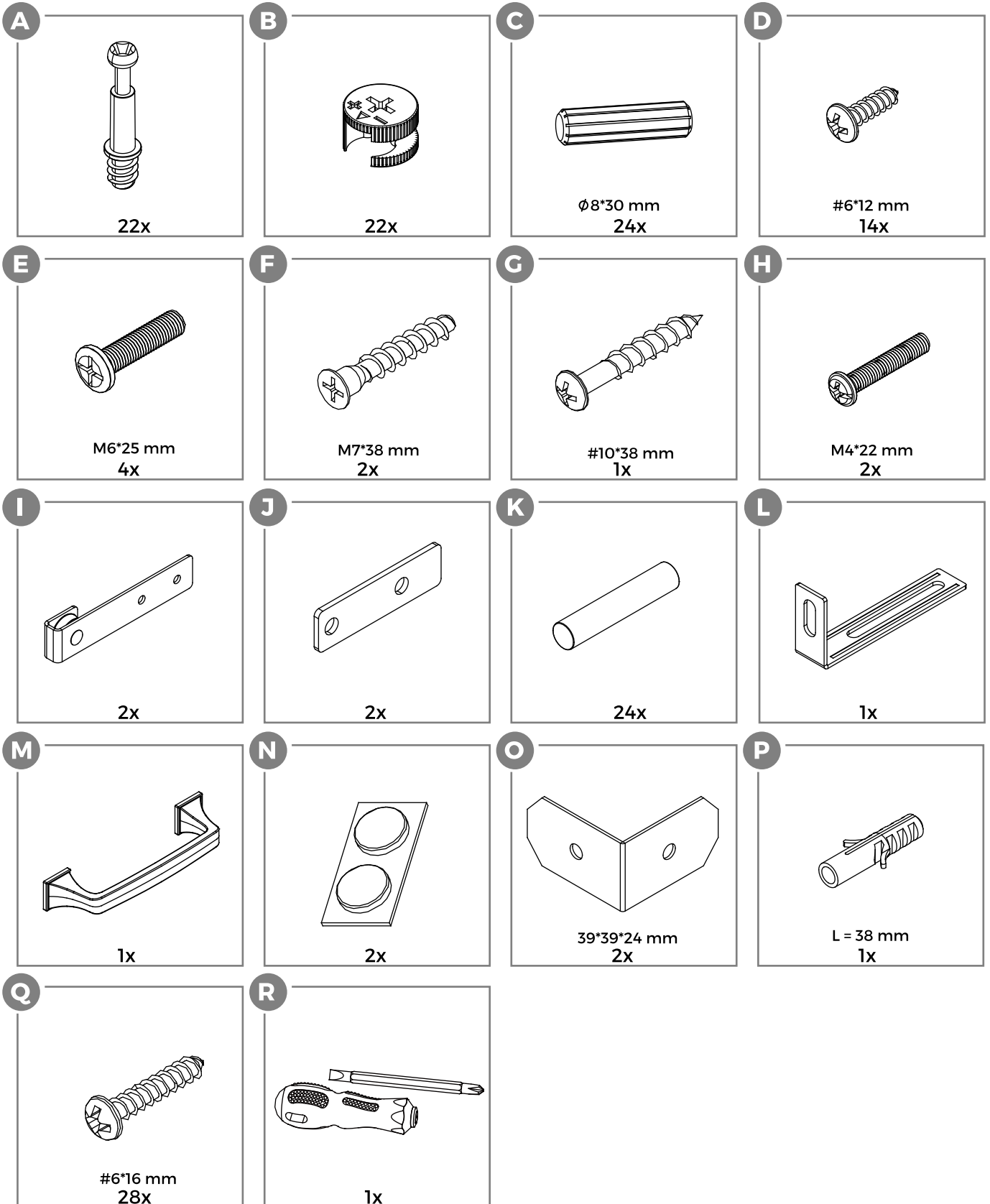
Parts



Components

Please check if all the pieces listed below are received.

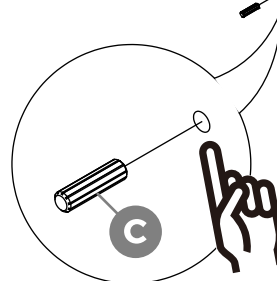
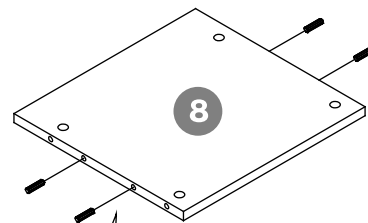
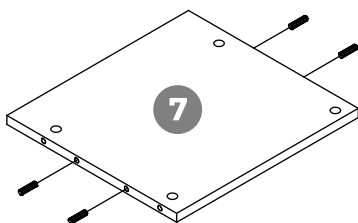
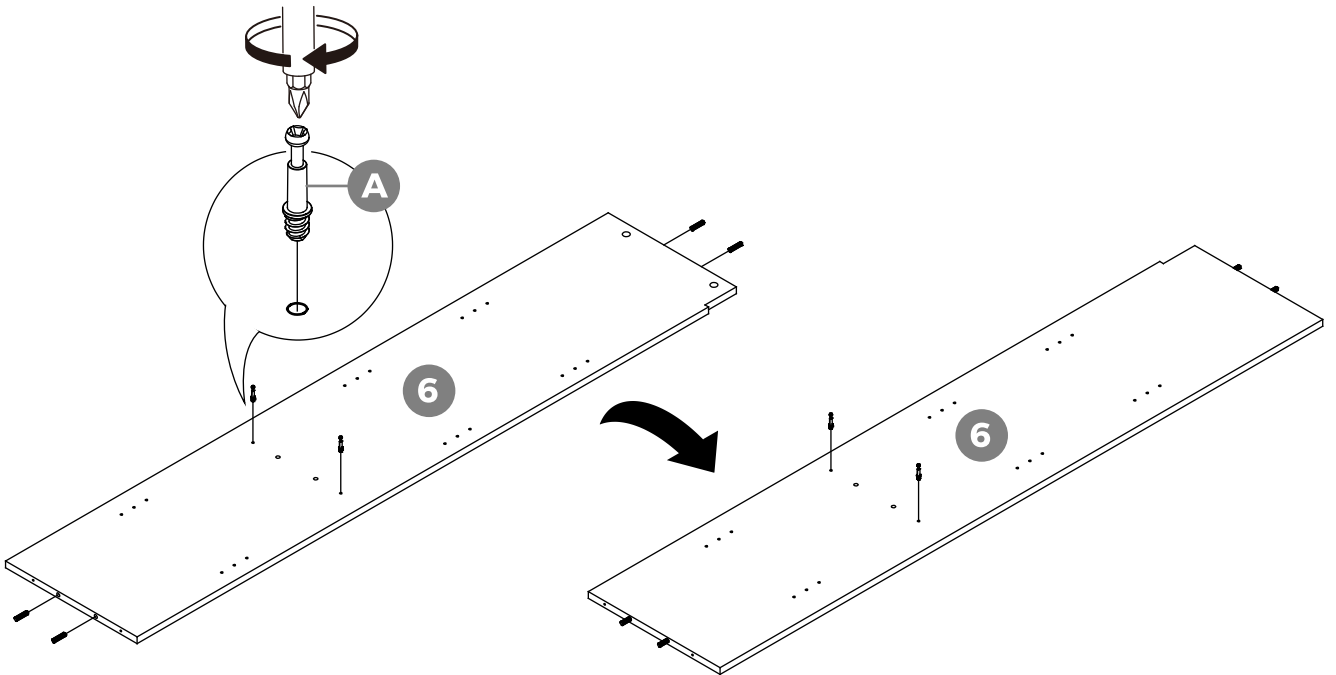
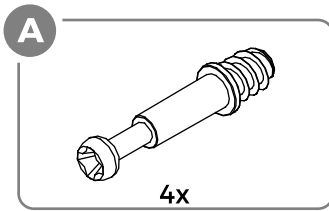
Hardware



Assembly Instructions

CAUTION : Inappropriate installation of screws will cause damages to the product !

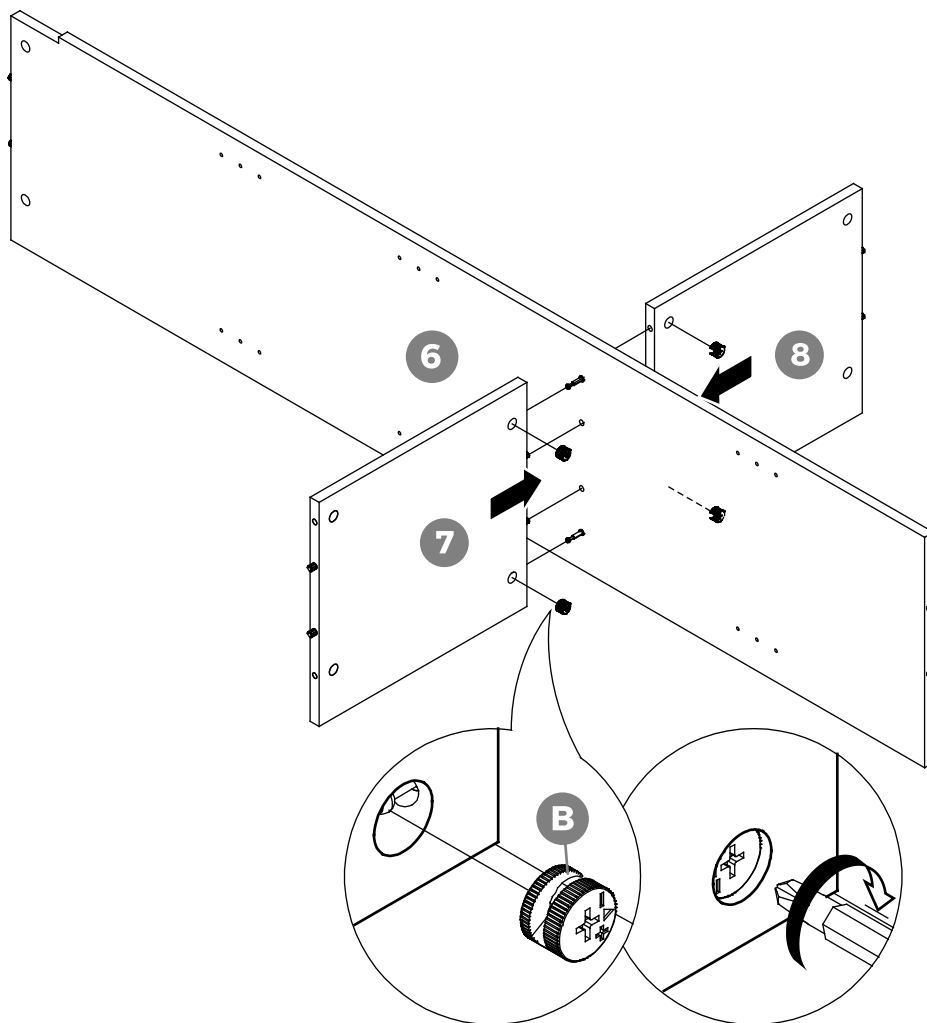
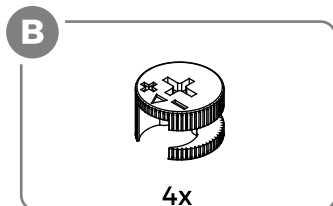
Step 1



Assembly Instructions

CAUTION : Inappropriate installation of screws will cause damages to the product !

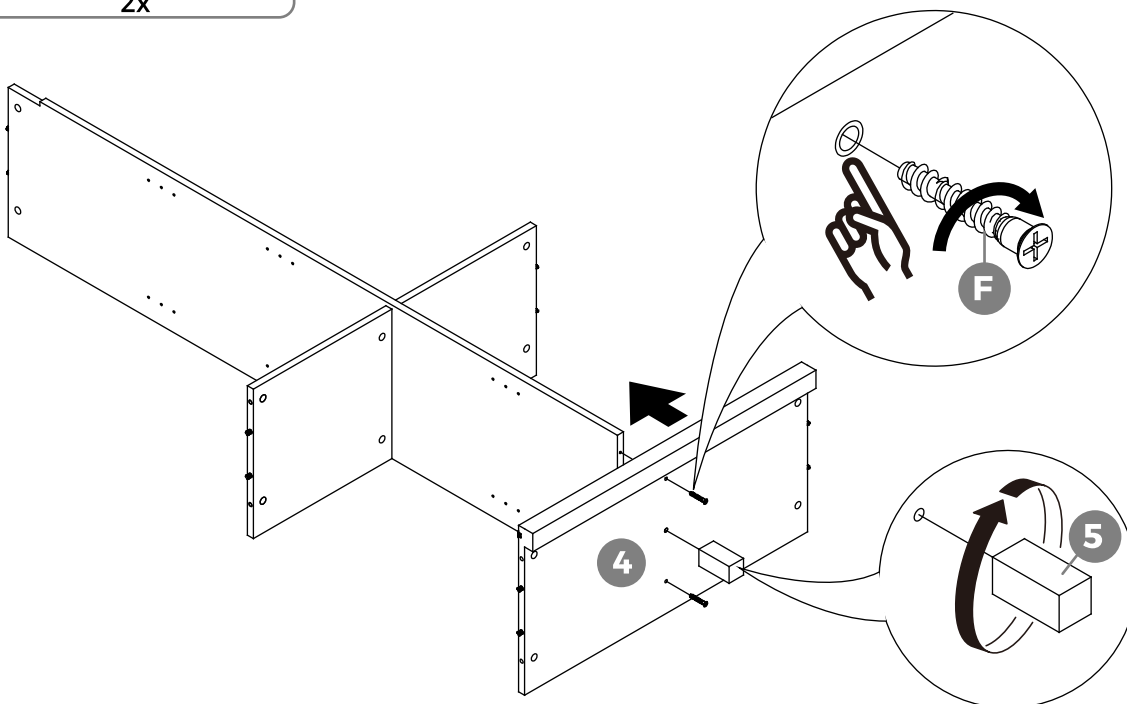
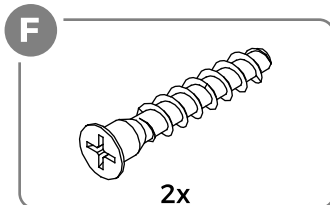
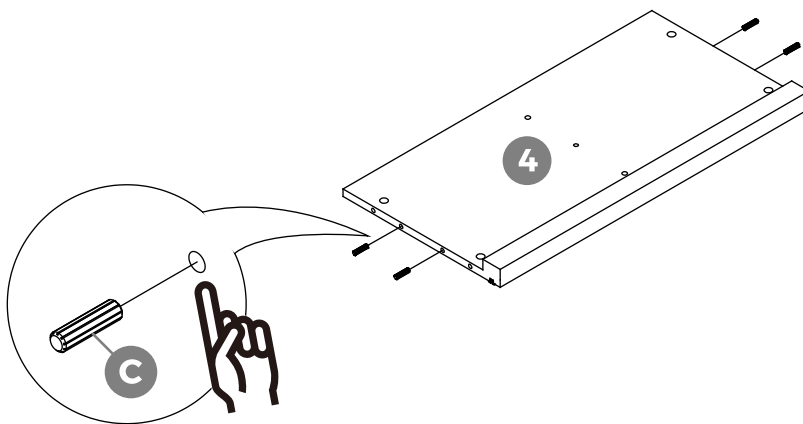
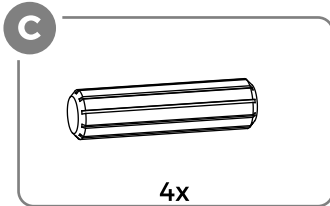
Step 2



Assembly Instructions

CAUTION : Inappropriate installation of screws will cause damages to the product !

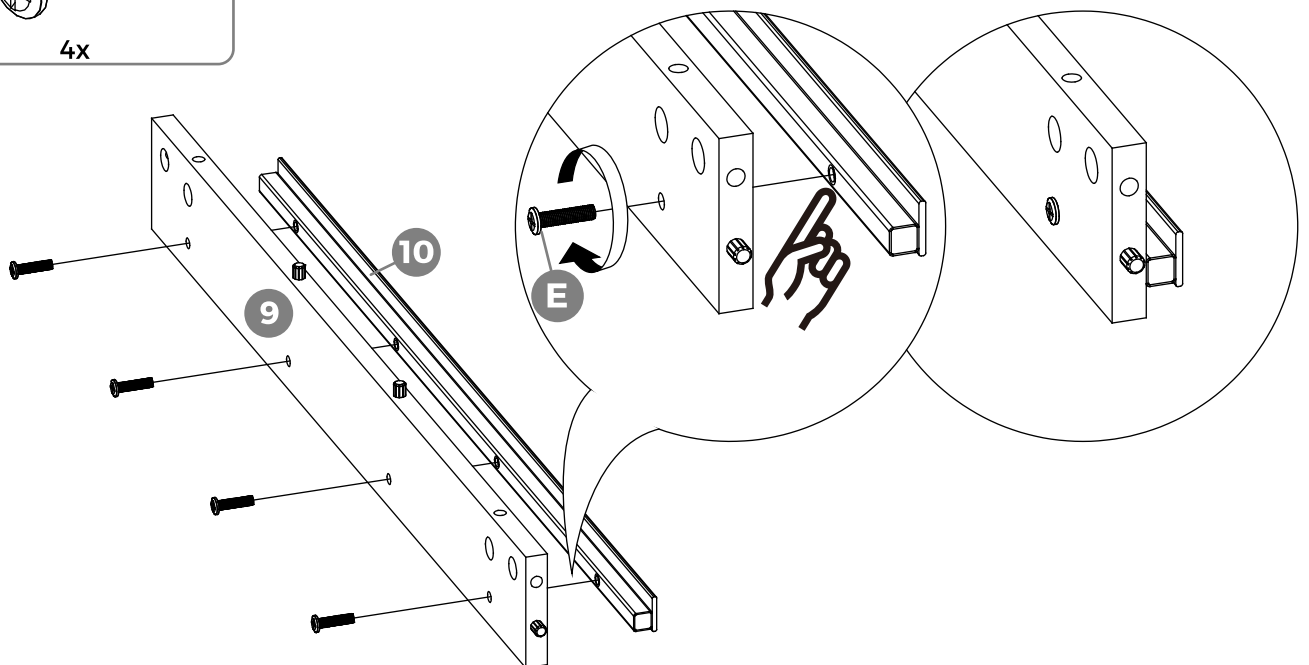
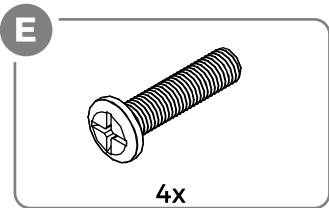
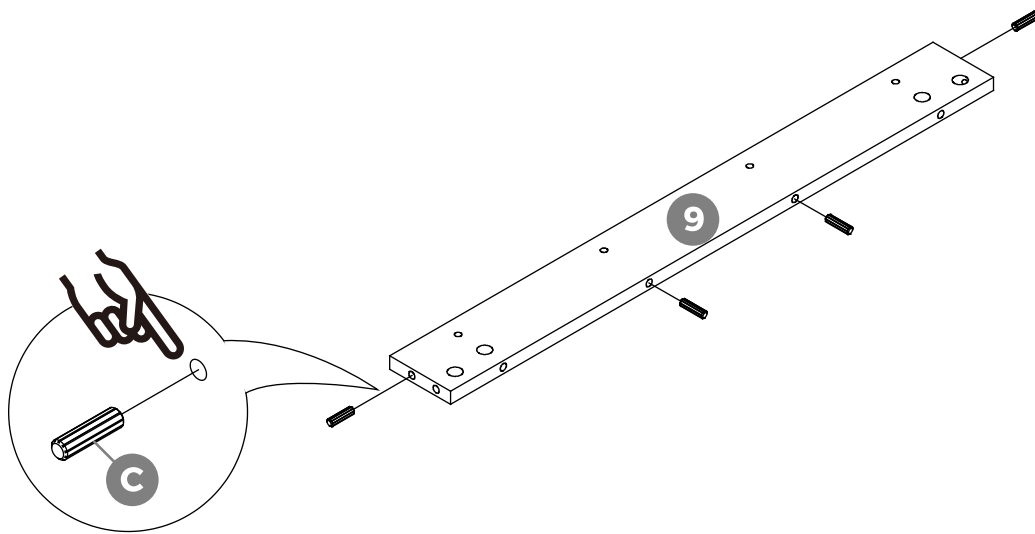
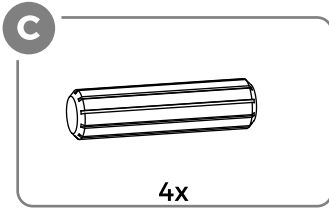
Step 3



Assembly Instructions

CAUTION : Inappropriate installation of screws will cause damages to the product !

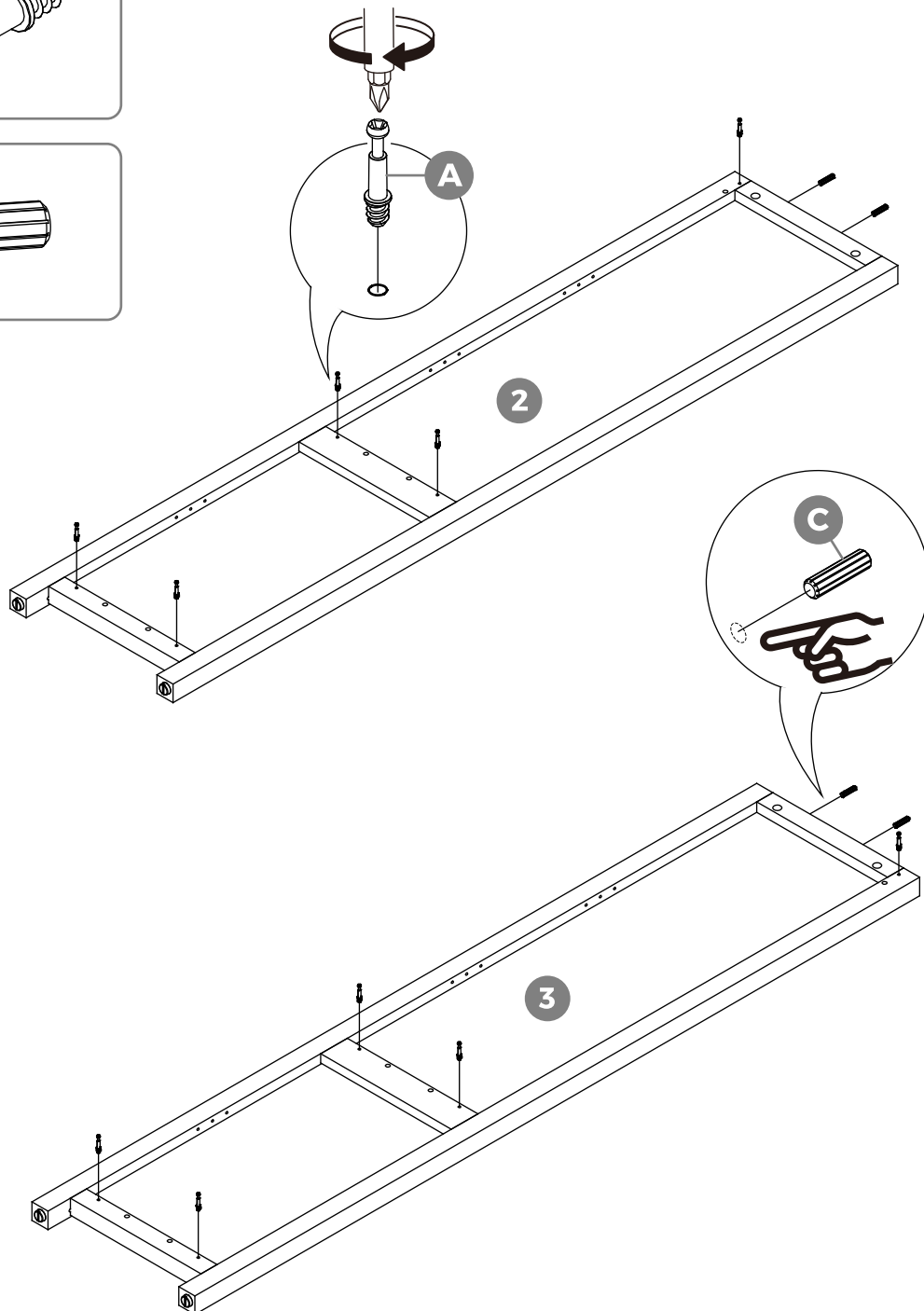
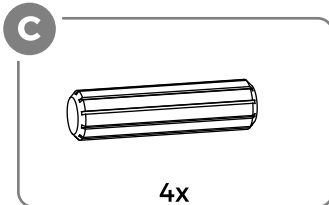
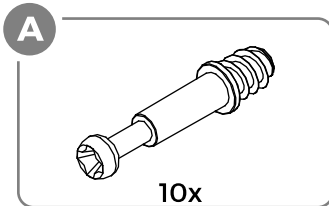
Step 4



Assembly Instructions

CAUTION : Inappropriate installation of screws will cause damages to the product !

Step 5



Assembly Instructions

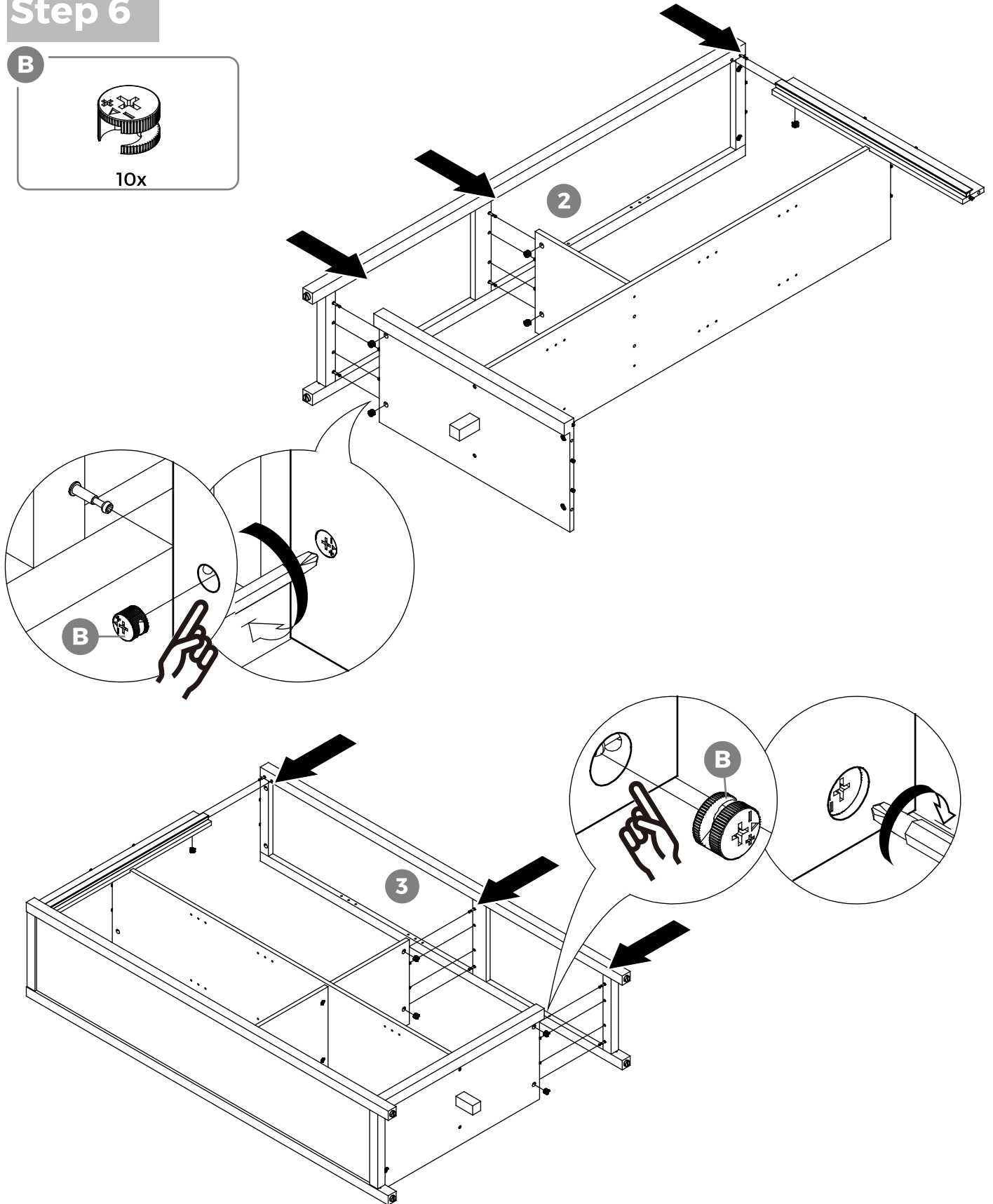
CAUTION : Inappropriate installation of screws will cause damages to the product !

Step 6

B



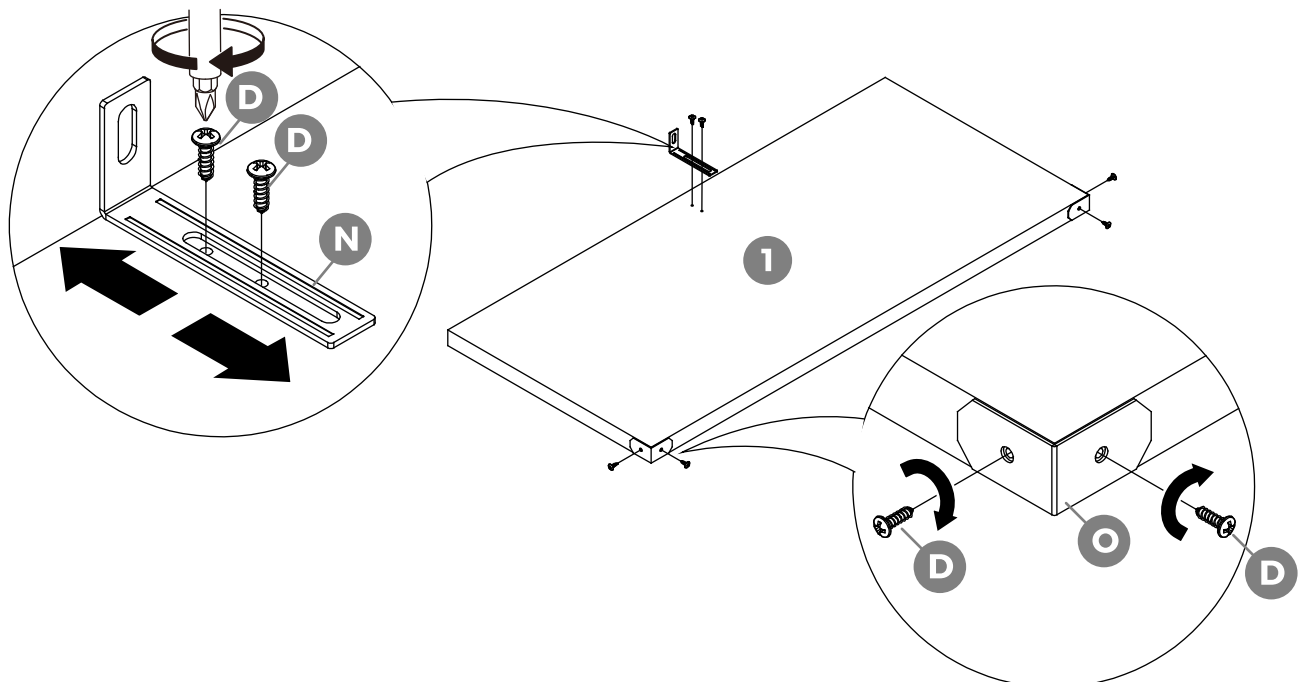
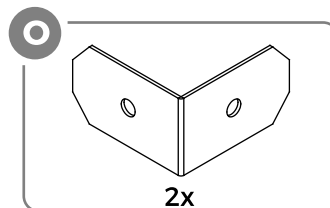
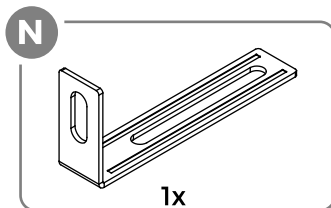
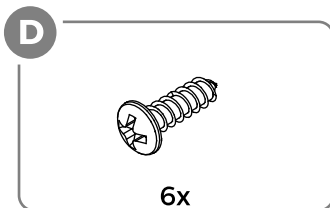
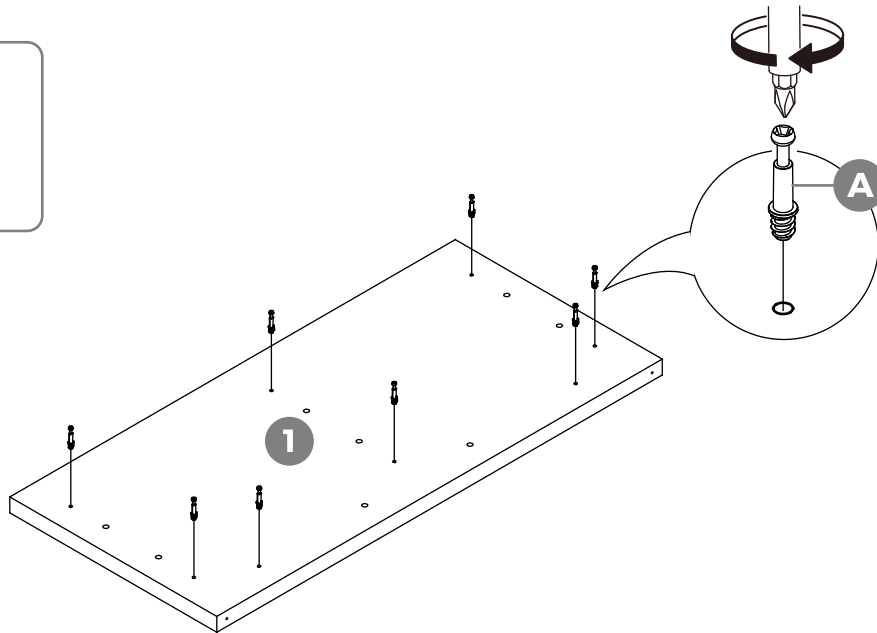
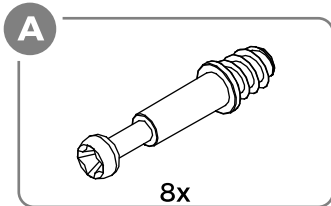
10x



Assembly Instructions

CAUTION : Inappropriate installation of screws will cause damages to the product !

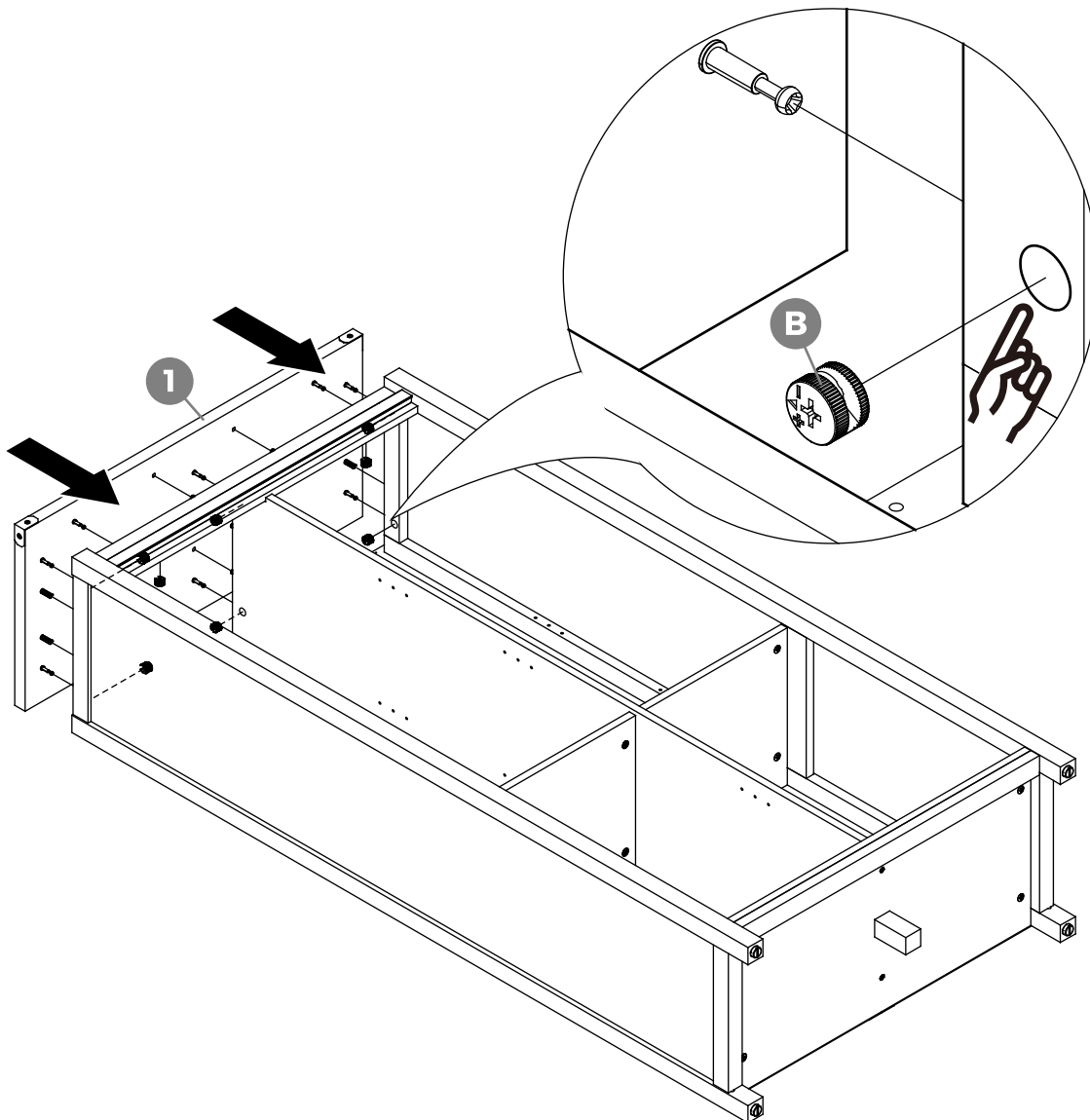
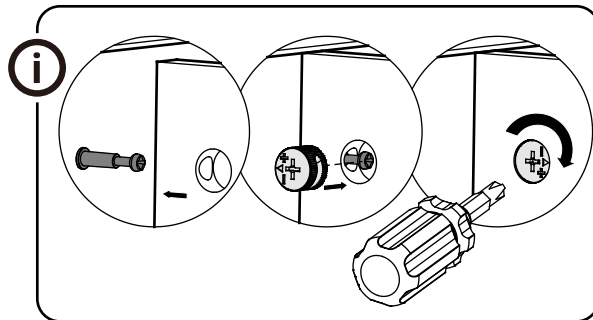
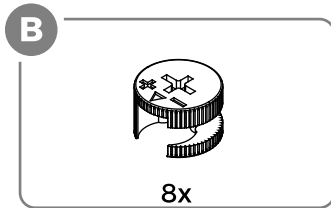
Step 7



Assembly Instructions

CAUTION : Inappropriate installation of screws will cause damages to the product !

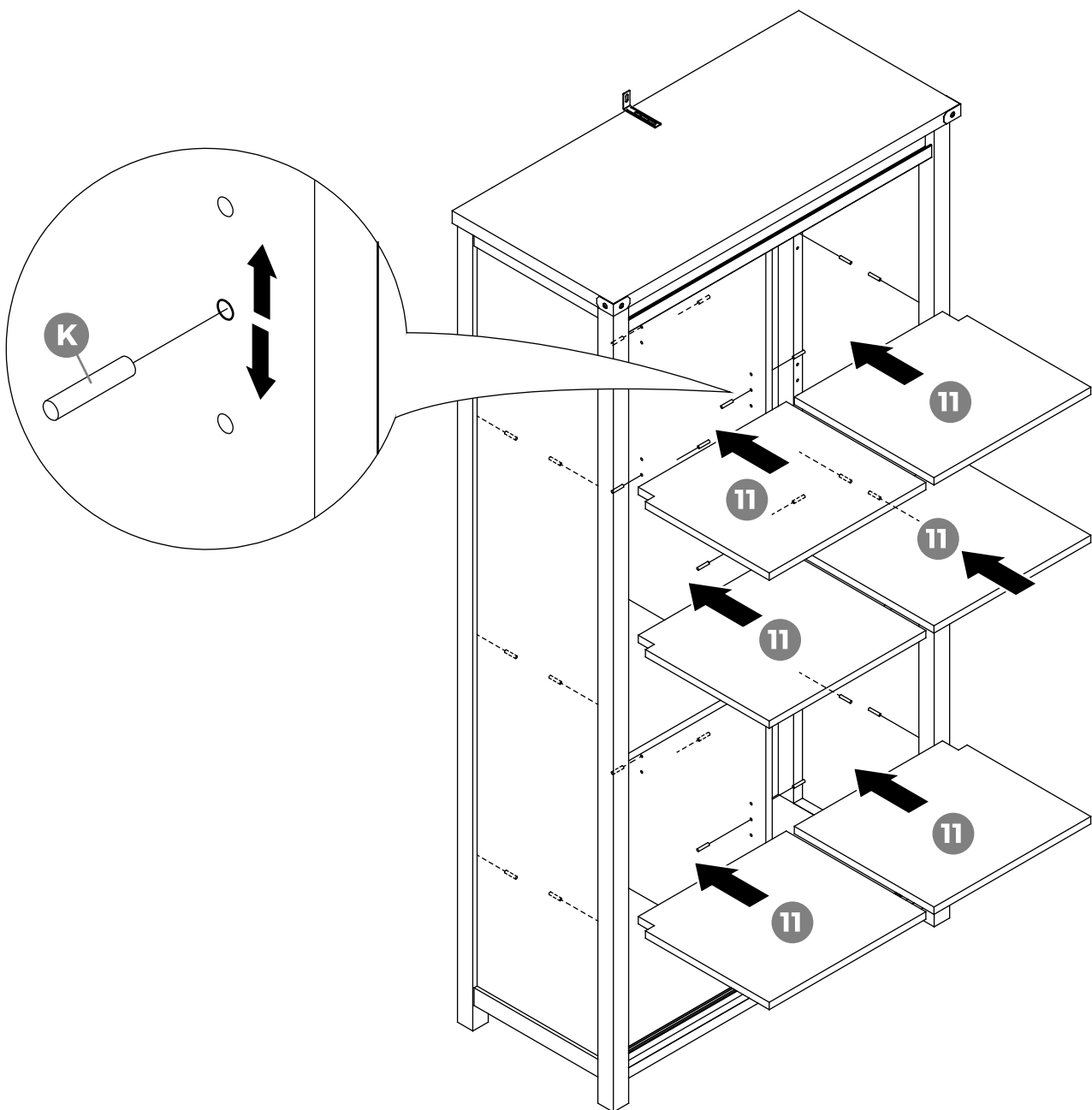
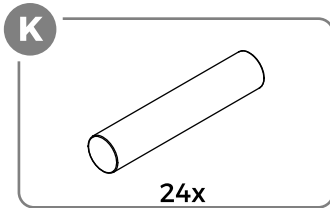
Step 8



Assembly Instructions

CAUTION : Inappropriate installation of screws will cause damages to the product !

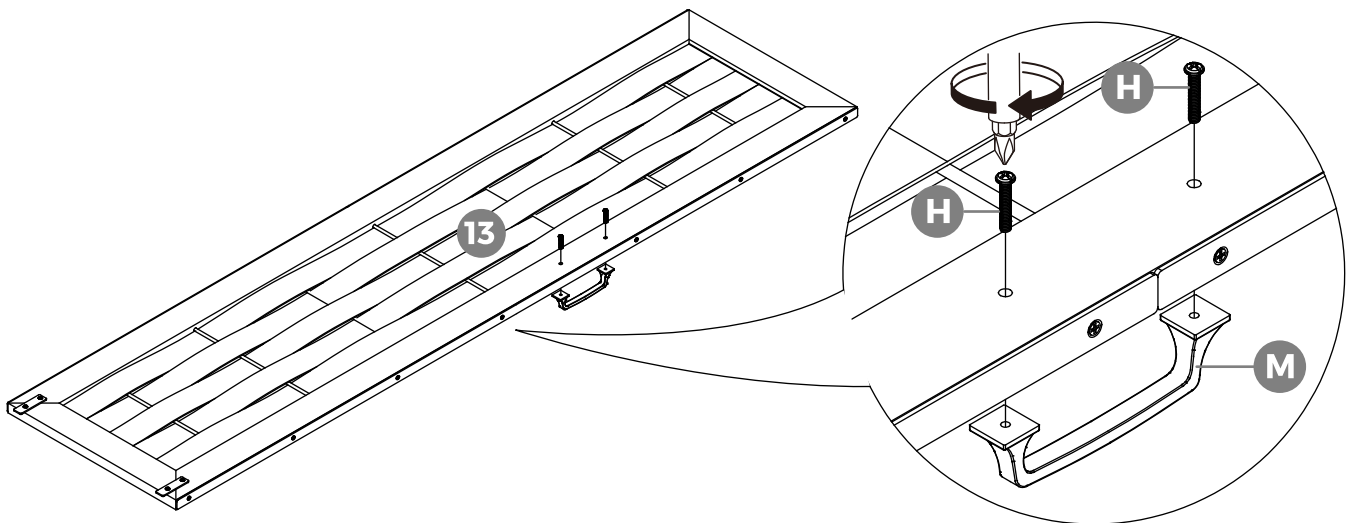
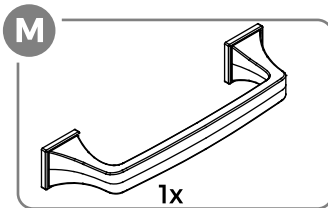
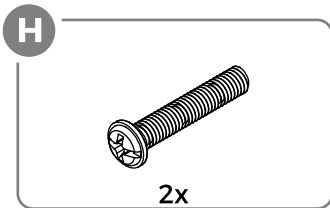
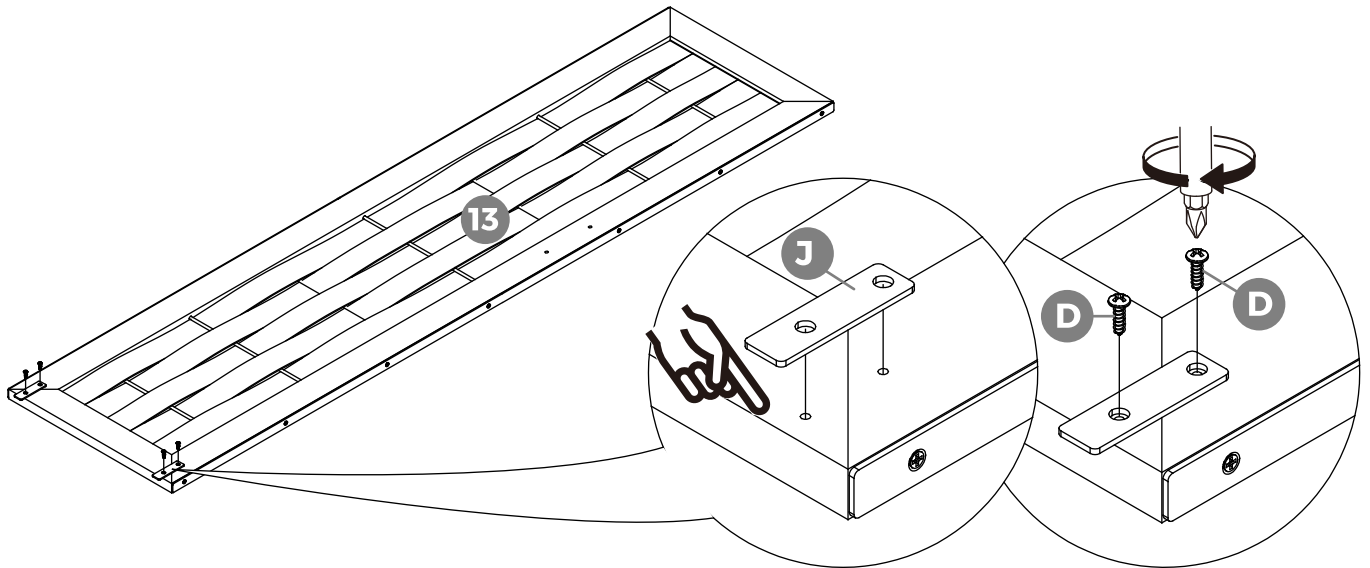
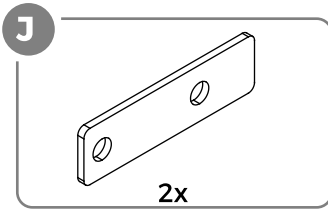
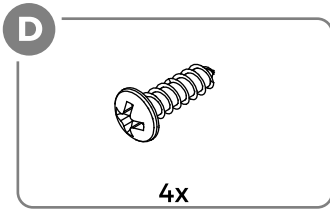
Step 10



Assembly Instructions

CAUTION : Inappropriate installation of screws will cause damages to the product !

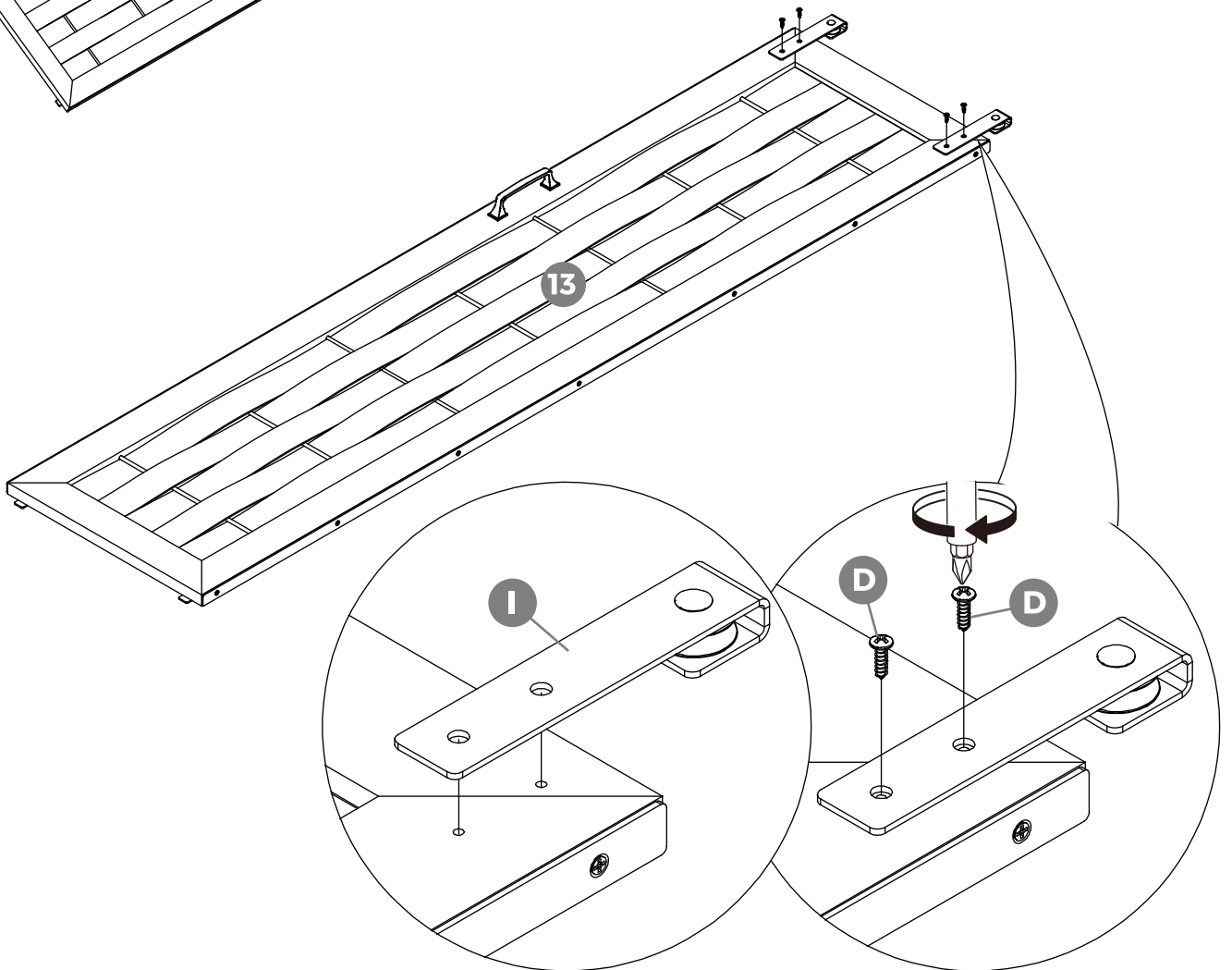
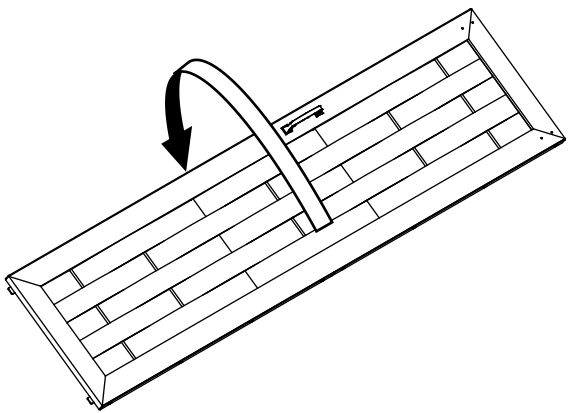
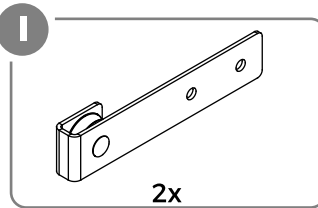
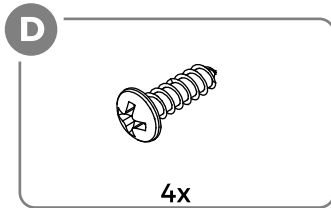
Step 11



Assembly Instructions

CAUTION : Inappropriate installation of screws will cause damages to the product !

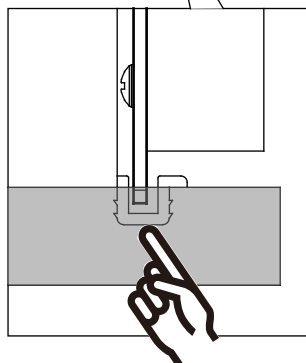
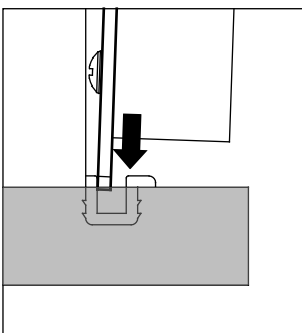
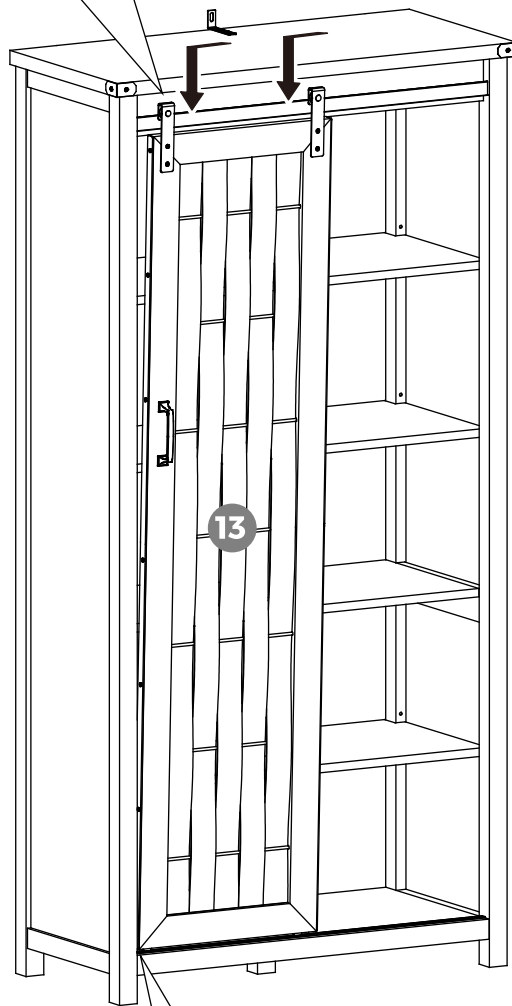
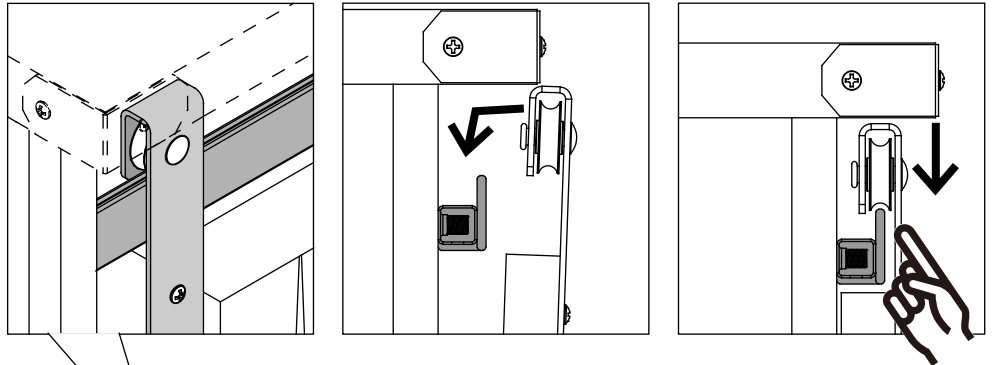
Step 12



Assembly Instructions

CAUTION : Inappropriate installation of screws will cause damages to the product !

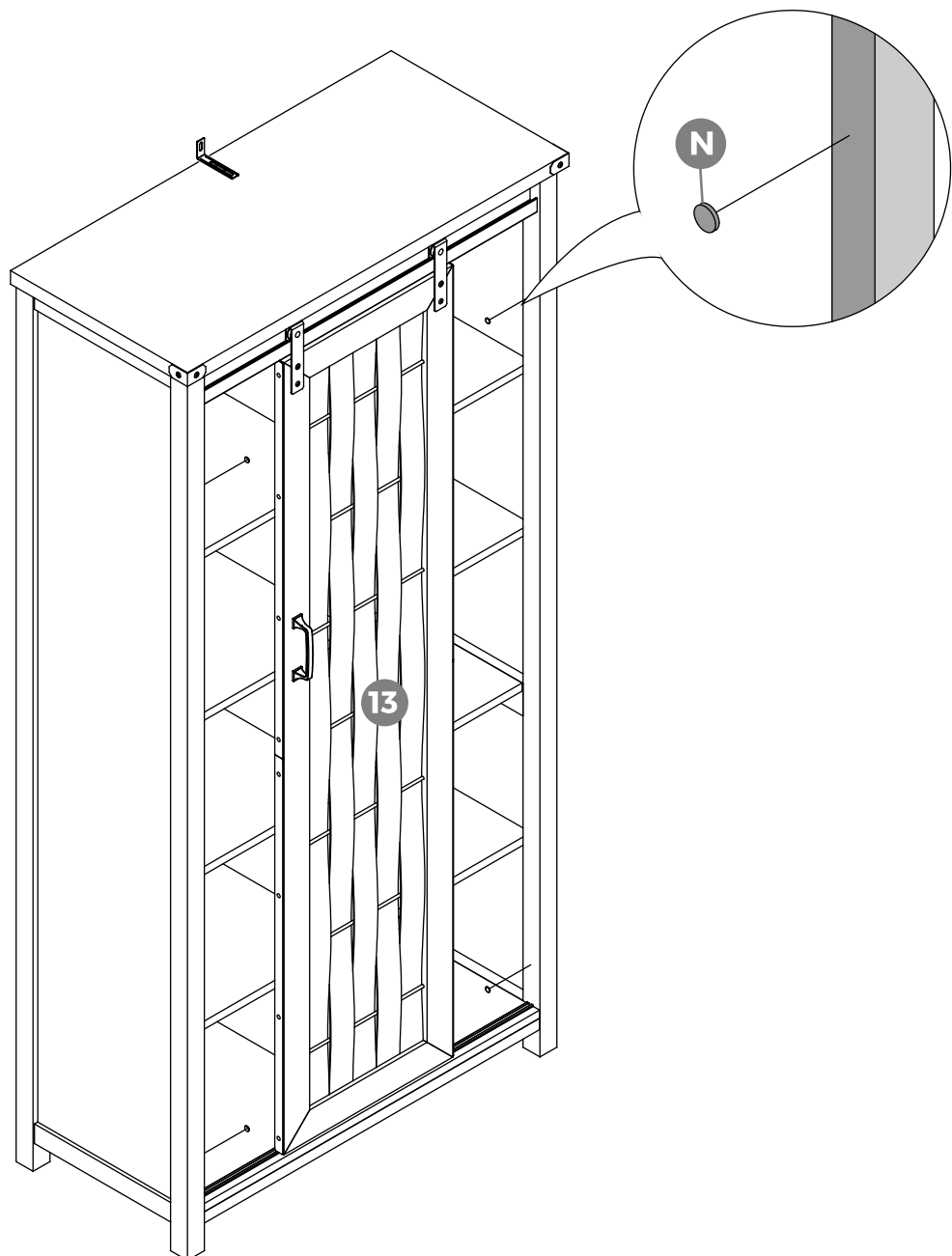
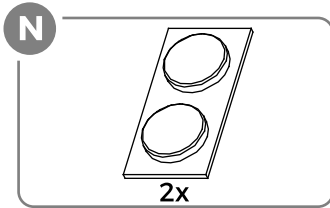
Step 13



Assembly Instructions

CAUTION : Inappropriate installation of screws will cause damages to the product !

Step 14

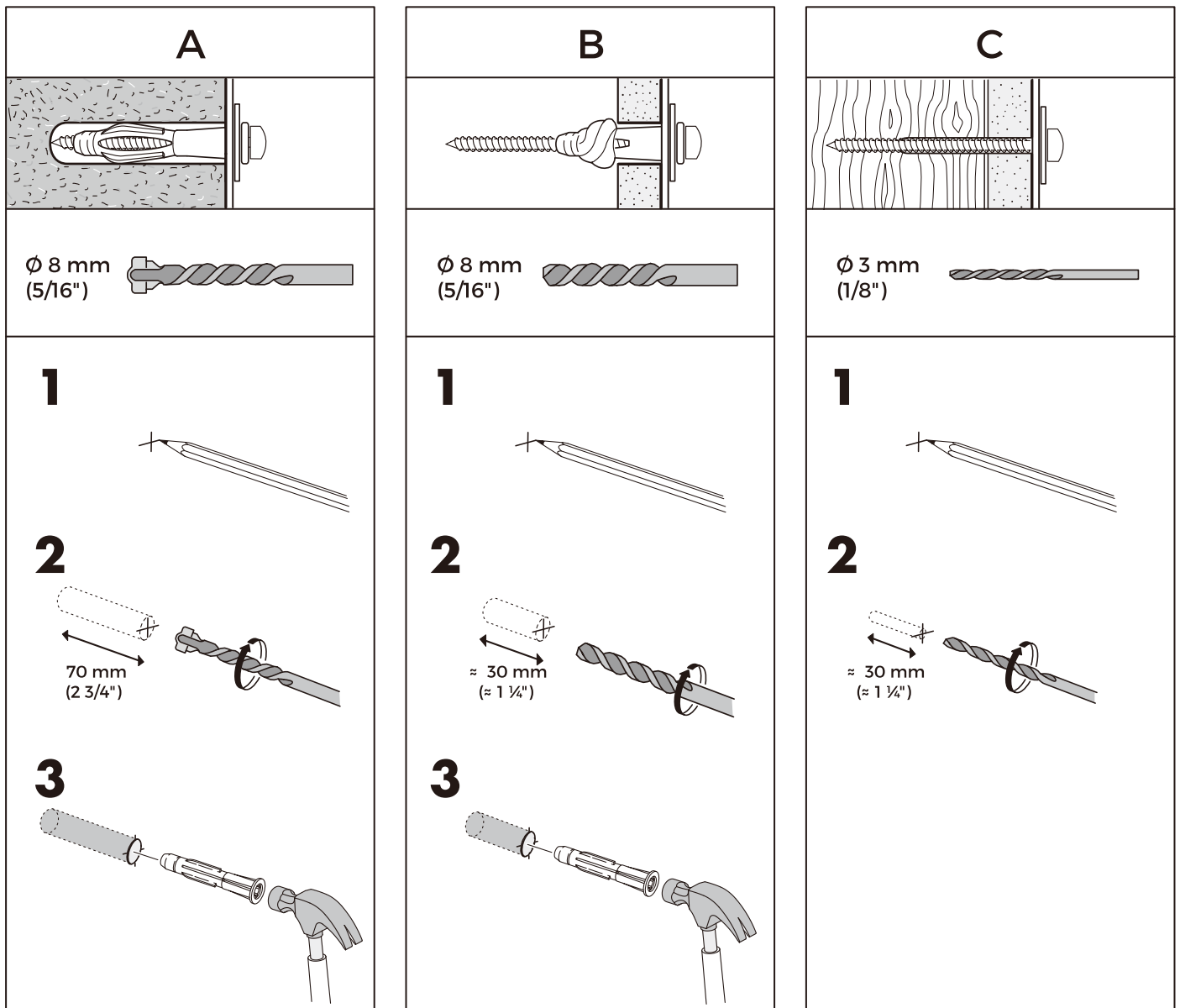


Assembly Instructions

CAUTION : Inappropriate installation of screws will cause damages to the product !

Step 15

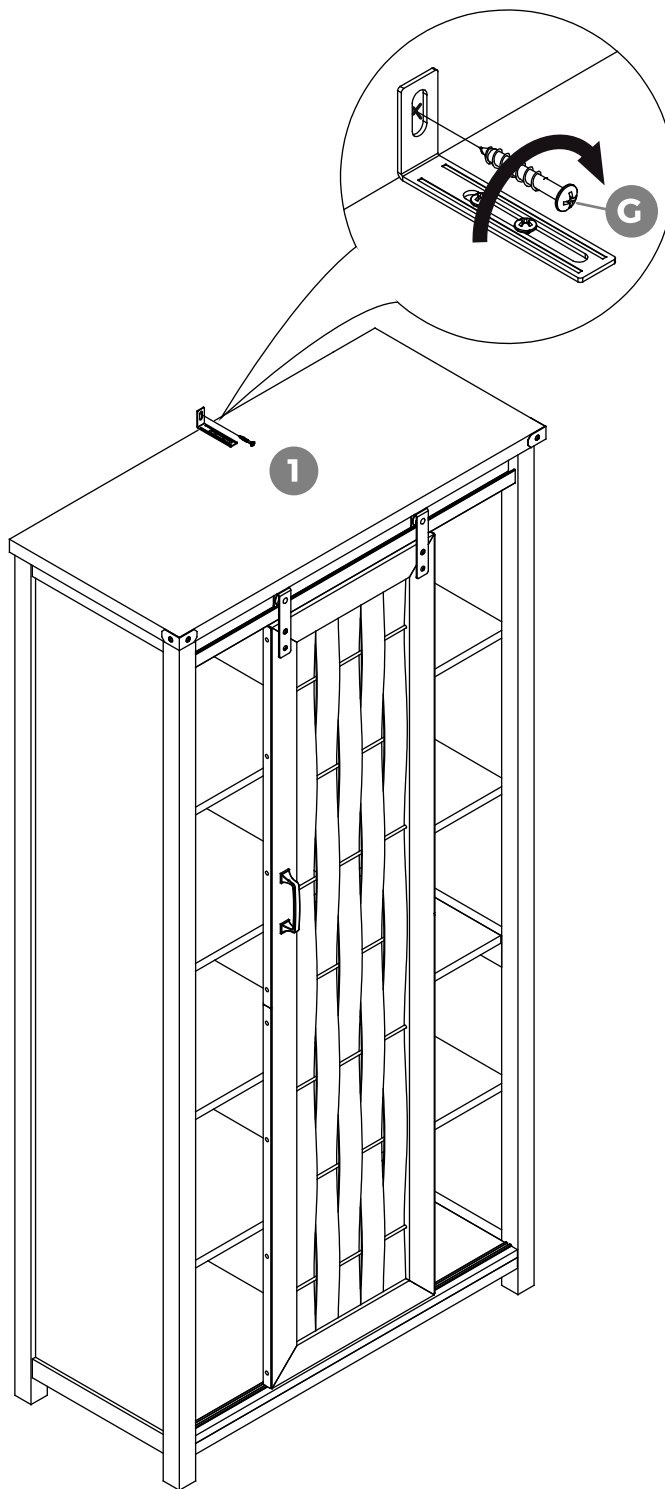
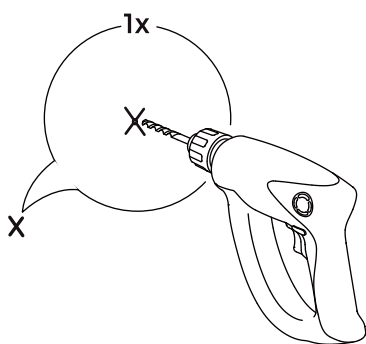
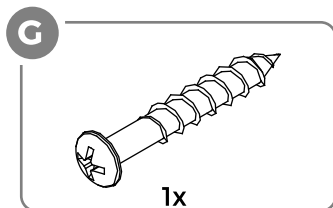
The screw(s) and plug(s) supplied can be used with most solid (A) and hollow (B) walls. For solid wood (C) use the screw(s) without plug(s). If you are uncertain, please seek professional advice.



Assembly Instructions

CAUTION : Inappropriate installation of screws will cause damages to the product !

Step 16

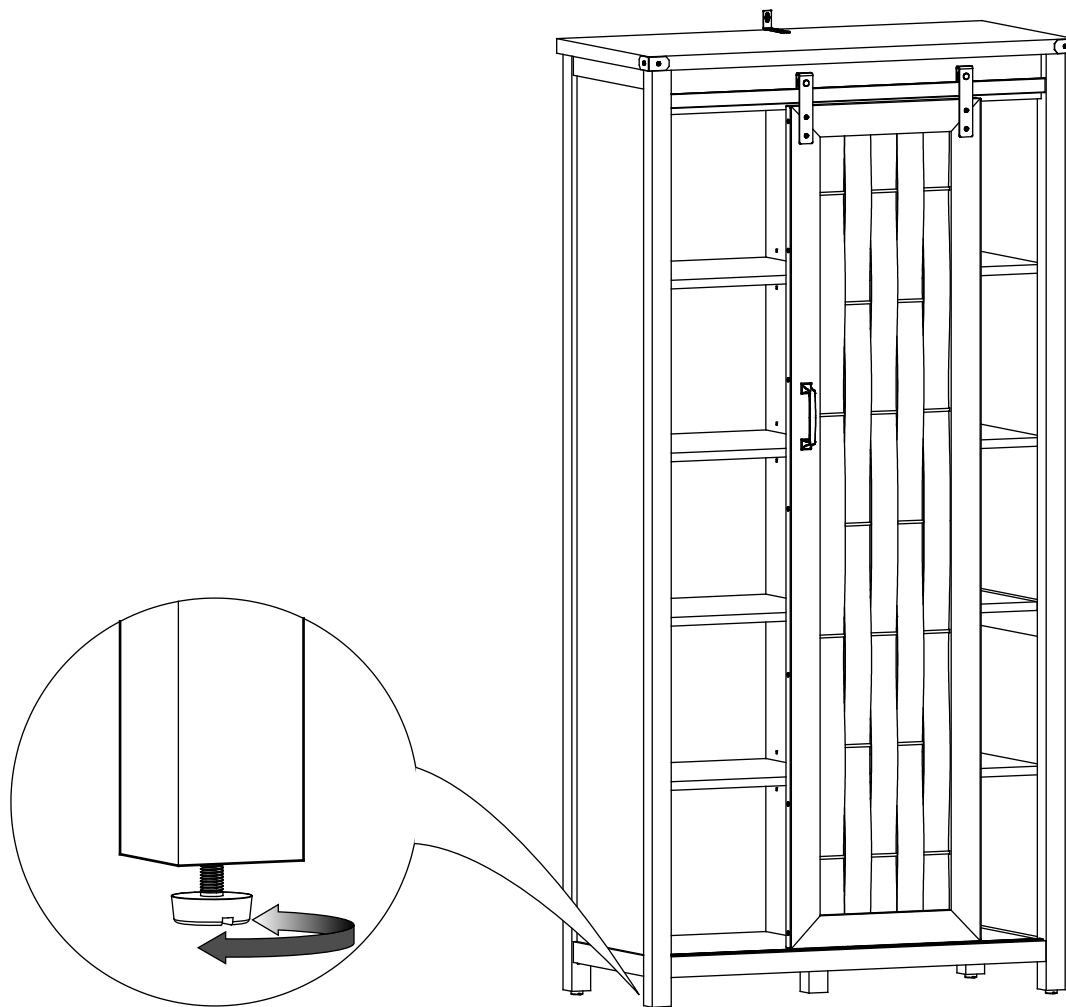


i Please note that after assembling the cabinet, please make sure to install the anti tipping device to prevent tipping and injury to people.

Assembly Instructions

CAUTION : Inappropriate installation of screws will cause damages to the product !

Step 17



Tips for proper door alignment:

- Adjustable levelers will reduce minor door mis-alignments caused by an uneven floor.
- Use a level to determine if the cabinet top is level. If not, start with the levelers retracted and adjust them as needed. To retract the levelers turn them counterclockwise. To extend the levelers turn them clockwise.