

## **Storage Cabinet - LH216U1**

# **Assembly Instructions**



# Safety And Maintanances

## Important - Please read these instructions carefully before assembly

Please verify that all the components and tools listed have been received.

Please remove all fittings from the box and separate them into homologous groups.

Please keep children and animals away from the working areas;swallow small parts may cause suffocation.

Please make sure you have enough space to lay out the parts before starting.

Please assemble the products as close to their final position as possible.

Do not place furniture directly in front of radiators, fires, or any other source of heat.

Having two people will make the assembly process easier.

Please dispose of all packaging carefully and responsibly.



## General care and maintenance

Please clean the product with a damp cloth; do not use bleach or abrasive cleaners.

Do not allow the spill to stay on the surface for a long time.

Do not clean with products containing the following: acetone(e.g.,nail varnish remover), ammonia(e.g.,bleach),or sodium hydroxide(e.g.,caustic soda, drain and oven cleaners).

Please check whether there are missing screws in the product regularly.

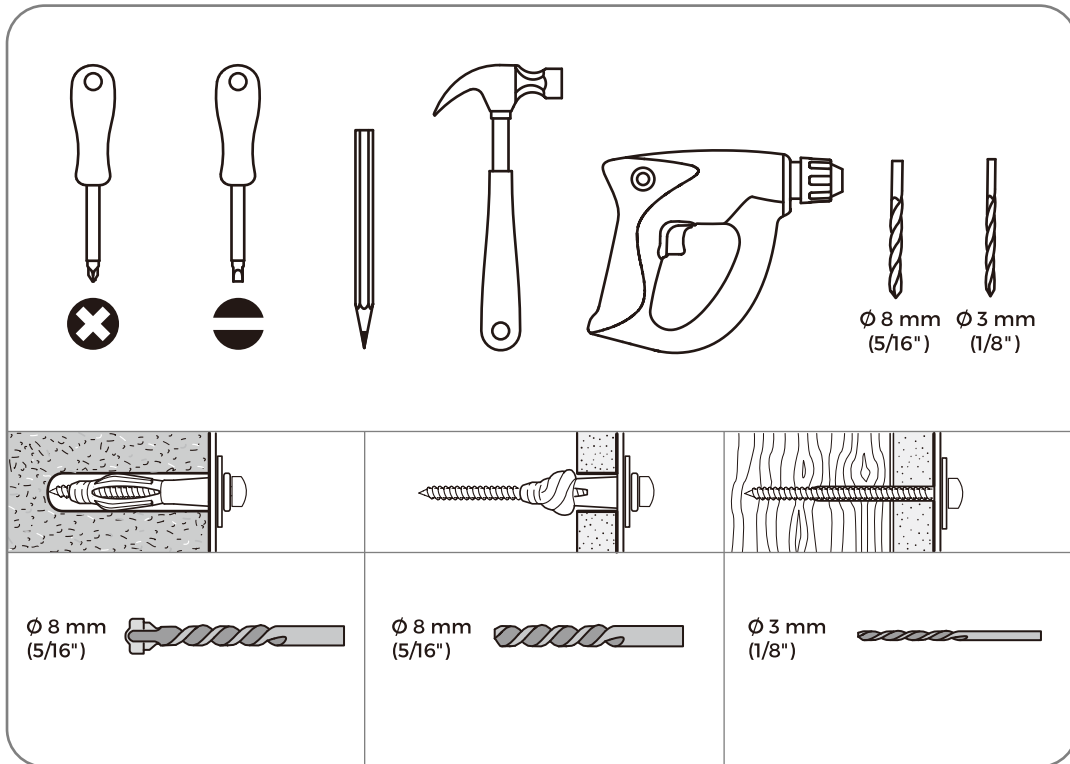
The product should not be discarded with household waste. and please take it to your local disposal center.



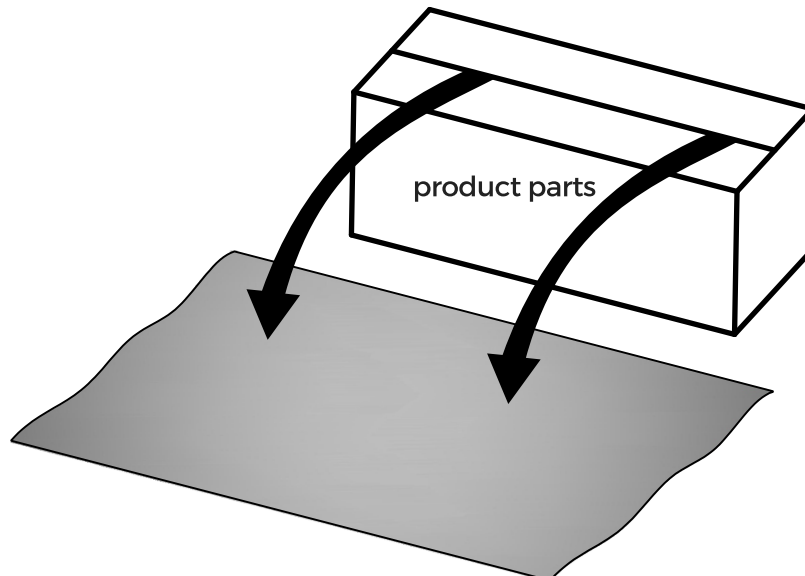
# Safety And Maintanances

Important - Please read the instructions carefully before assembly.

## Tools Required

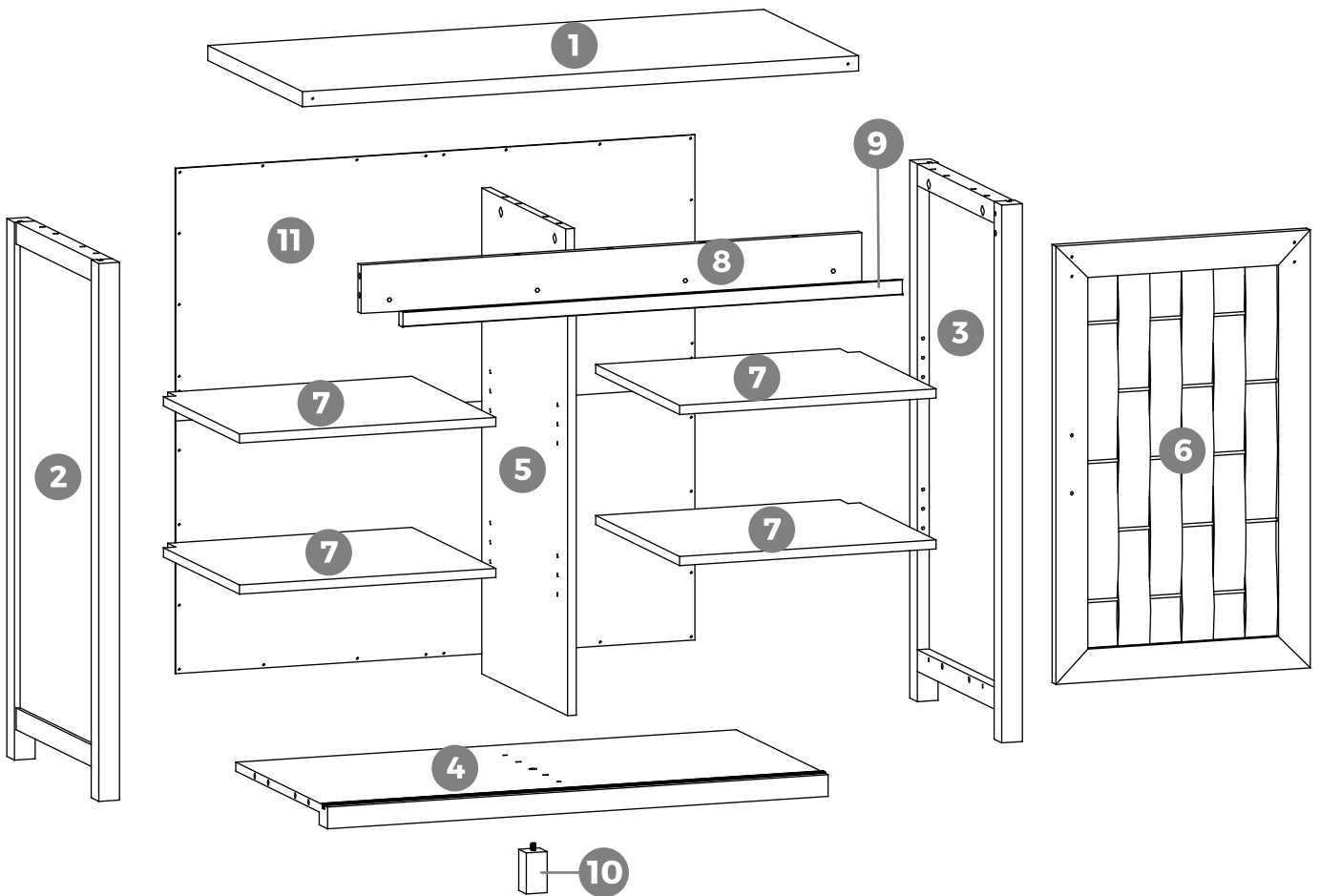


Lay a piece of clean paper or carpet on the floor, then put the product parts on it to prevent scratching.



# Components

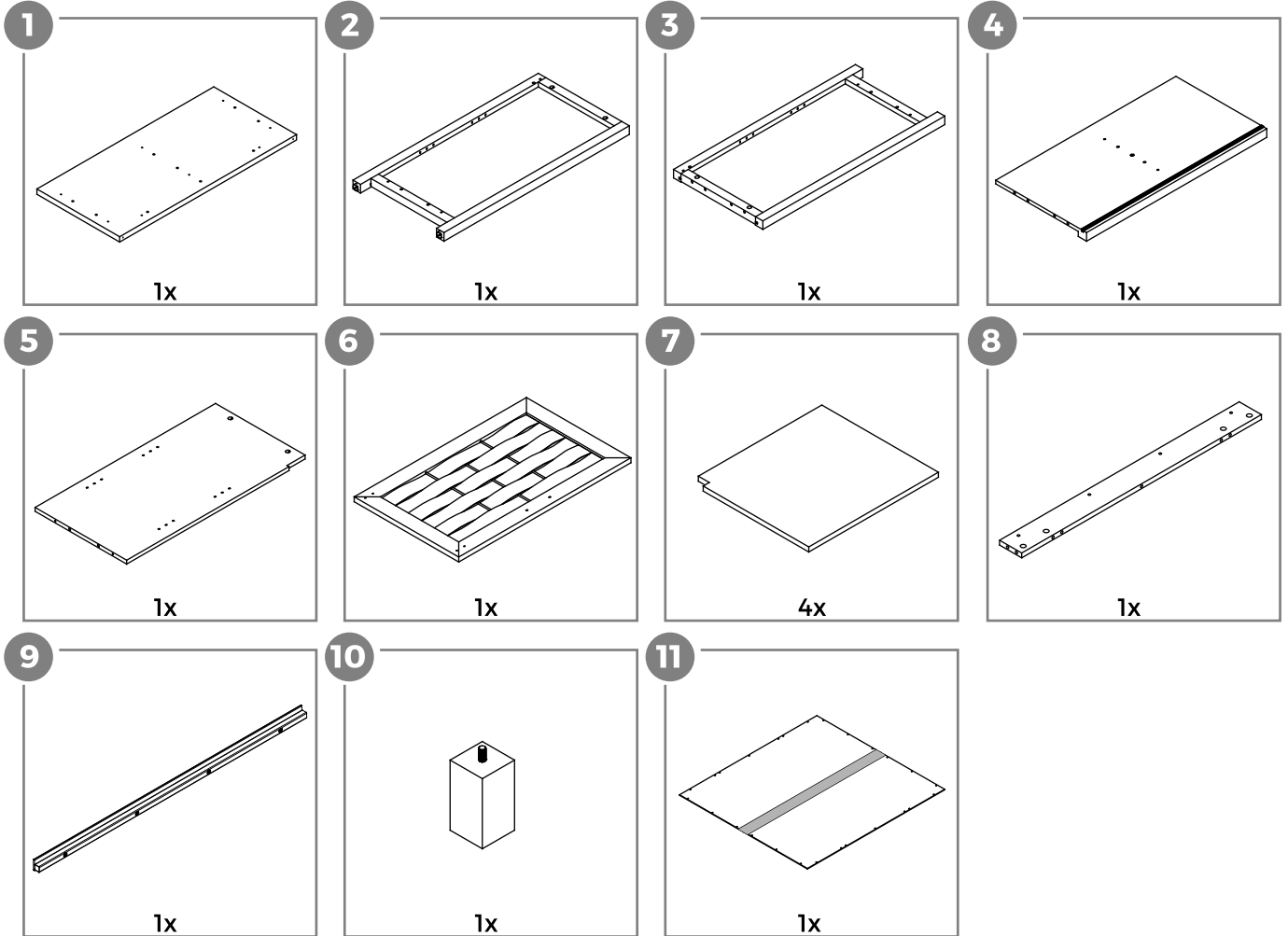
Please check if all the pieces listed below are received.



# Components

Please check if all the pieces listed below are received.

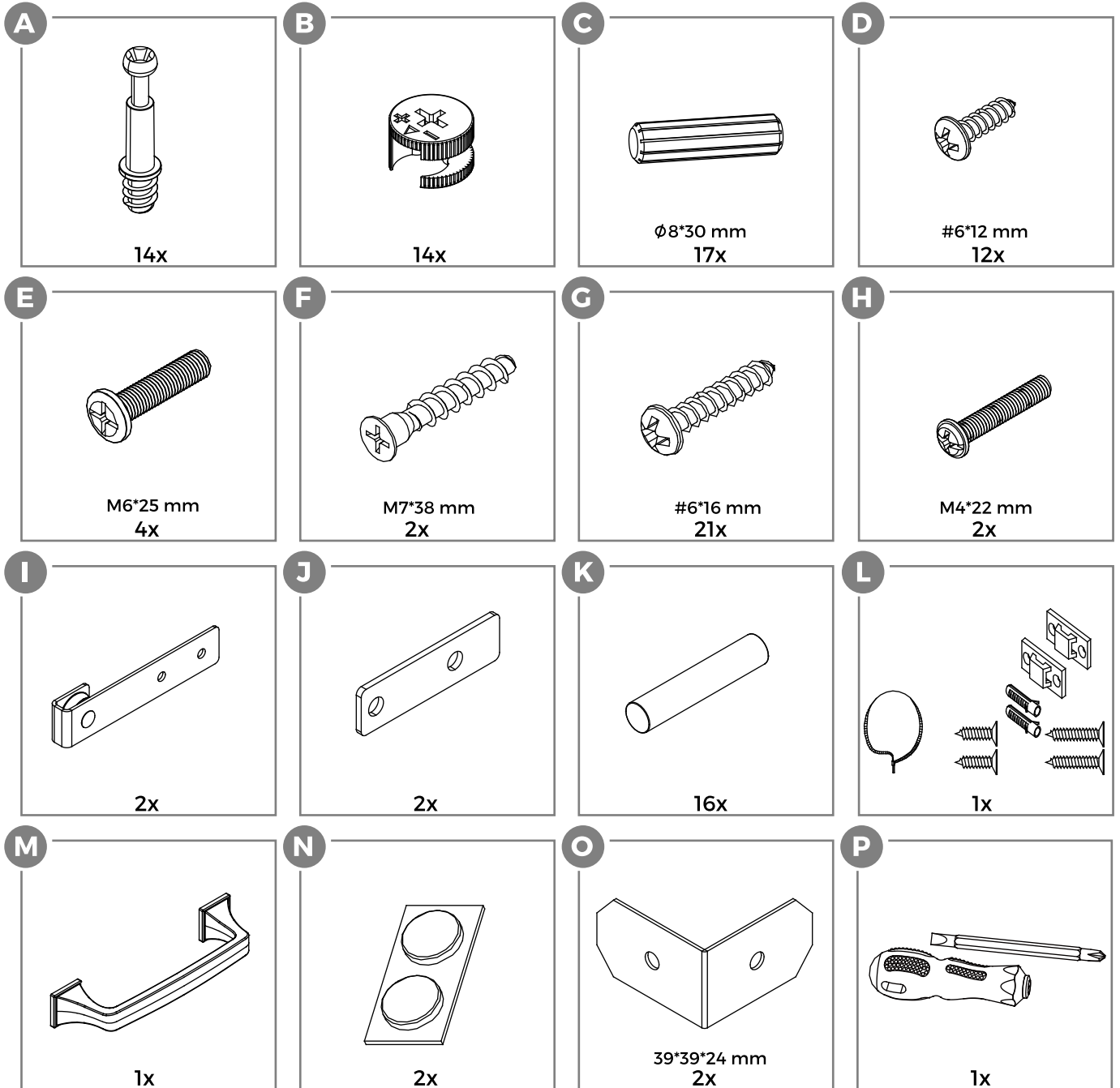
## Parts



# Components

Please check if all the pieces listed below are received.

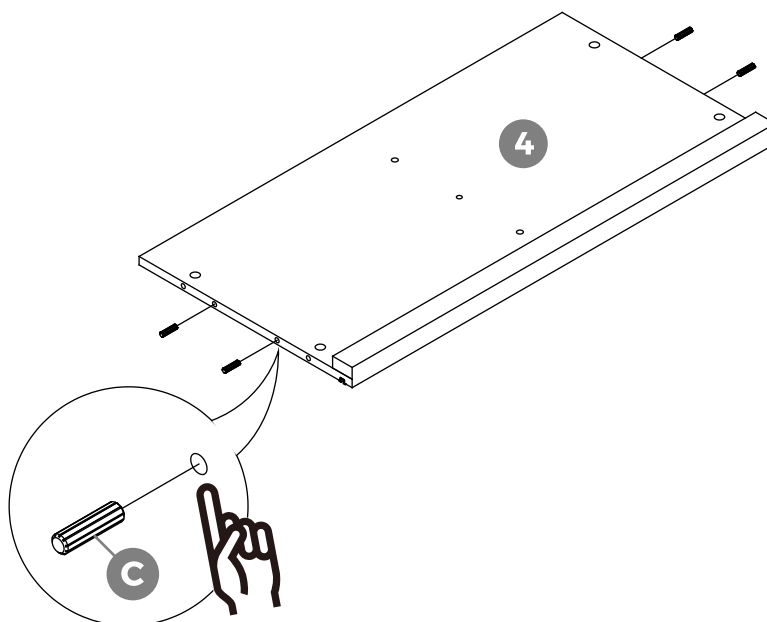
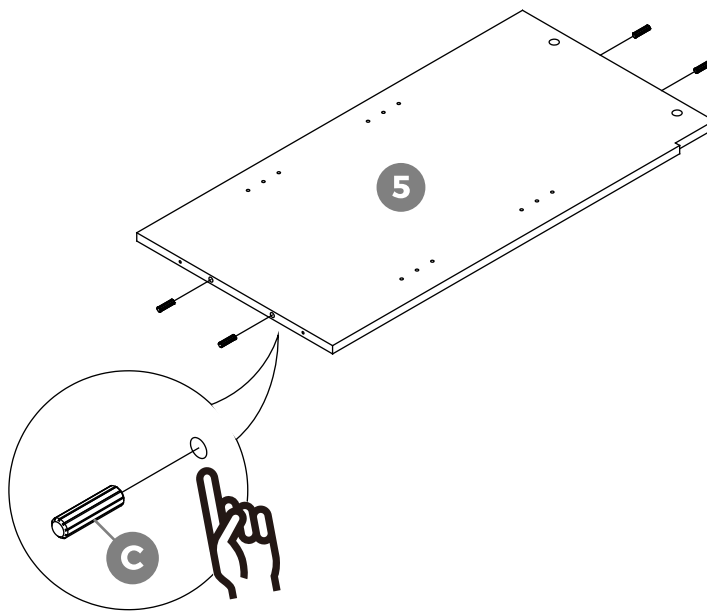
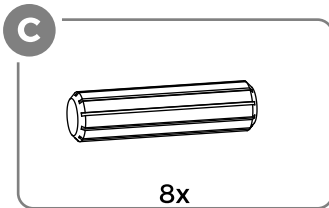
## Hardware



# Assembly Instructions

**CAUTION : Inappropriate installation of screws will cause damages to the product !**

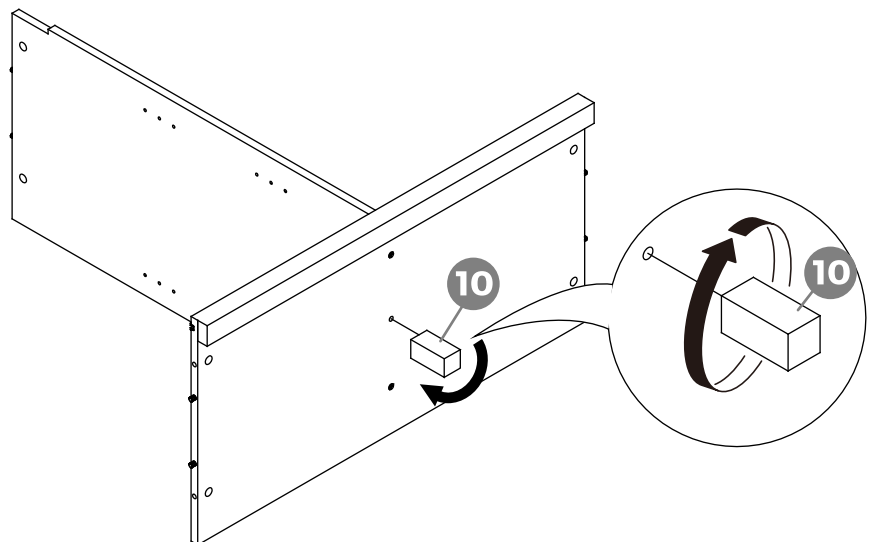
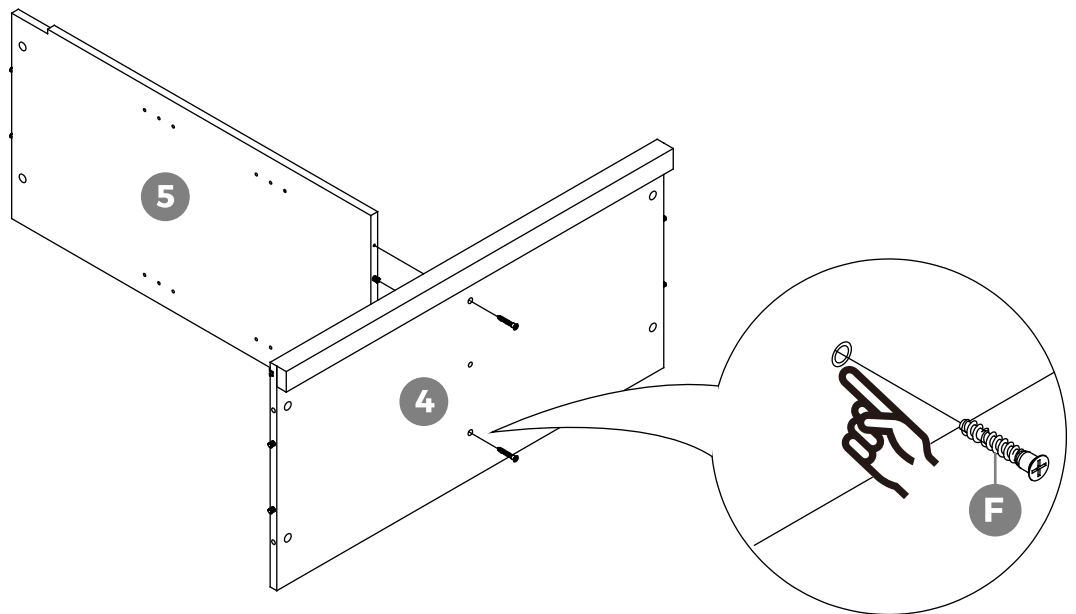
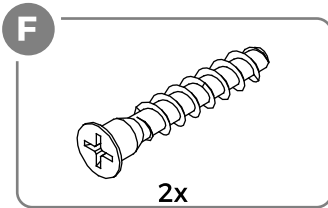
## Step 1



# Assembly Instructions

CAUTION : Inappropriate installation of screws will cause damages to the product !

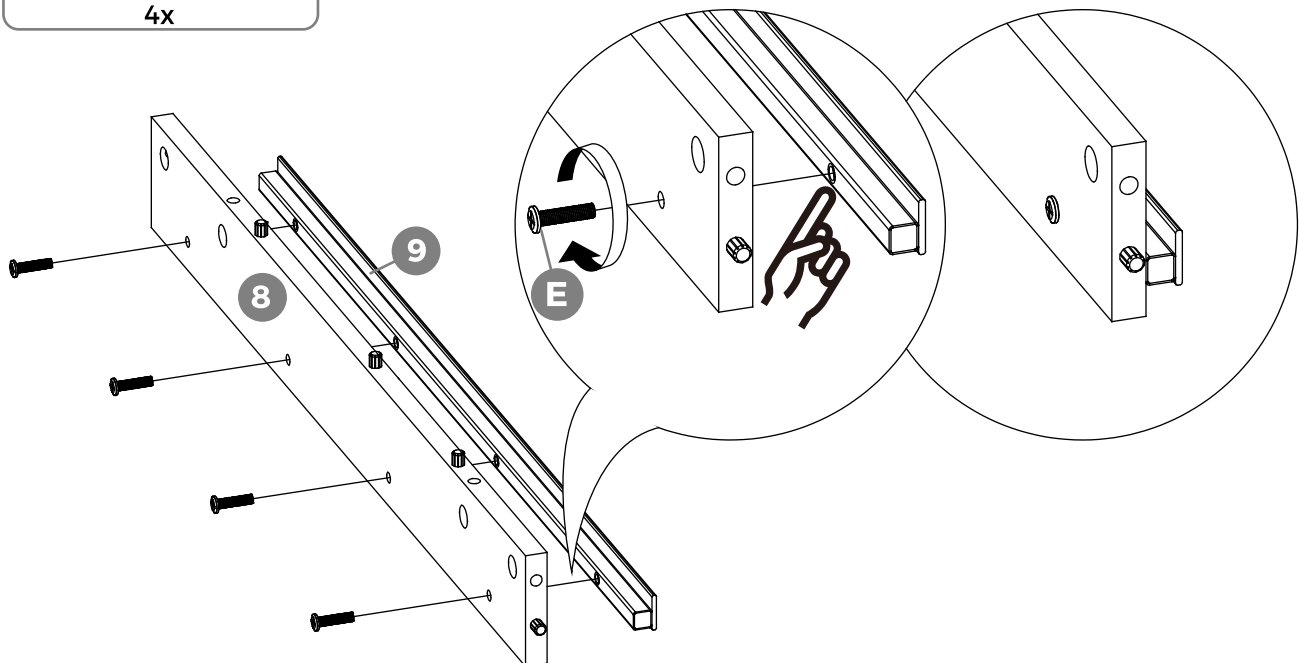
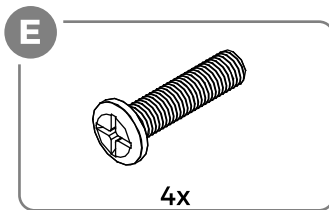
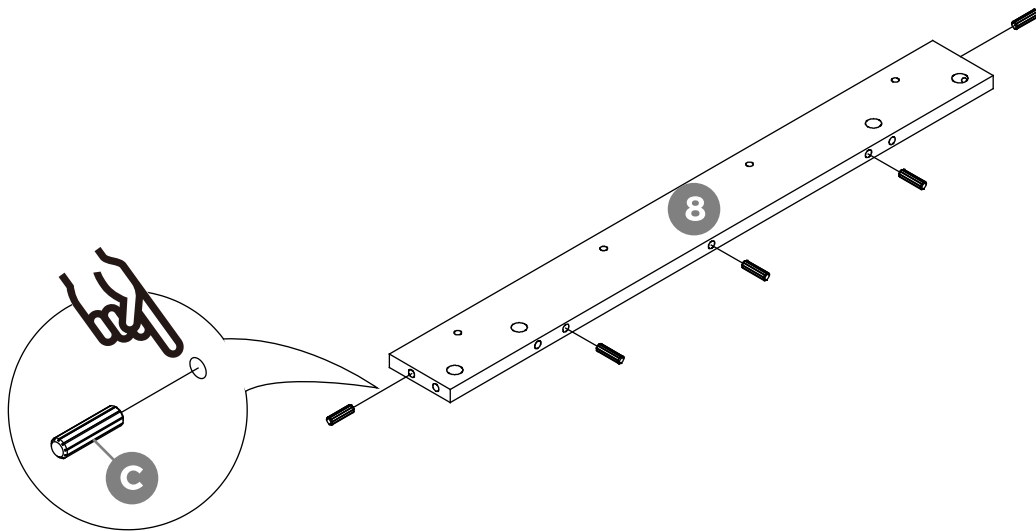
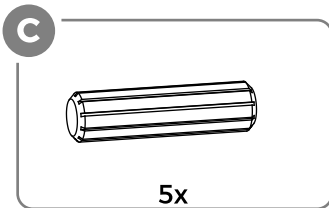
## Step 2



# Assembly Instructions

CAUTION : Inappropriate installation of screws will cause damages to the product !

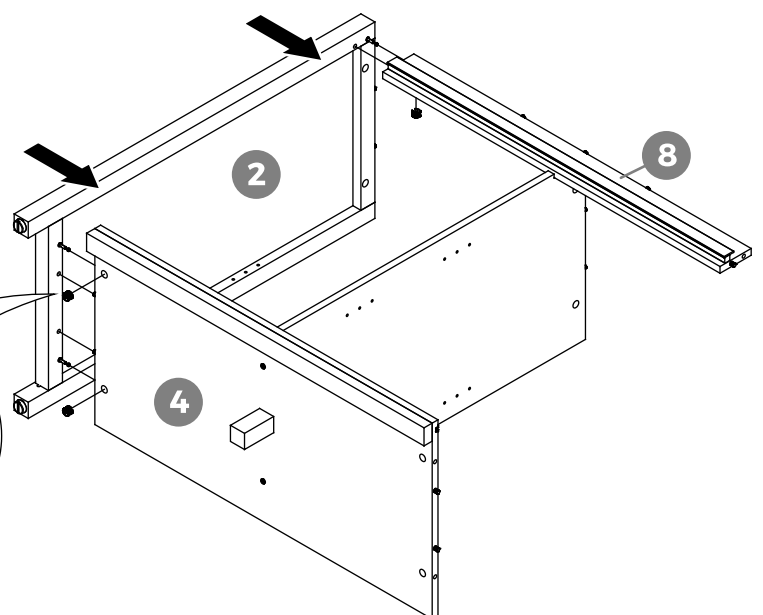
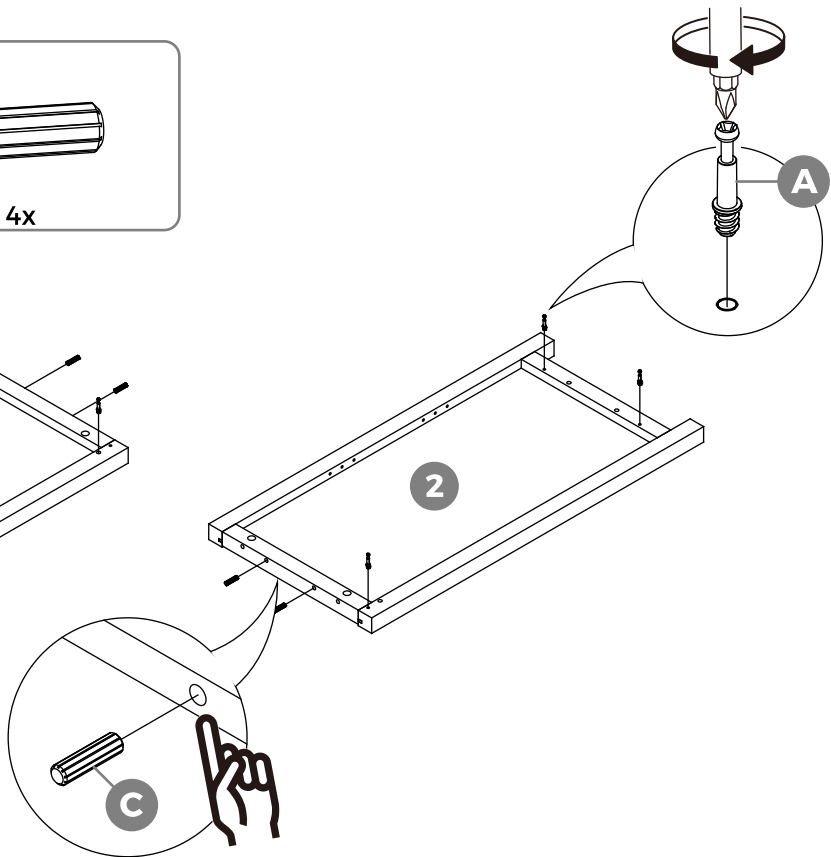
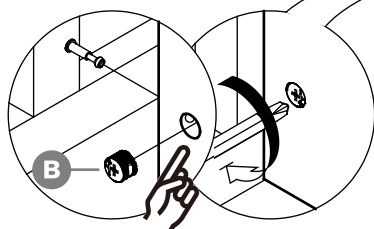
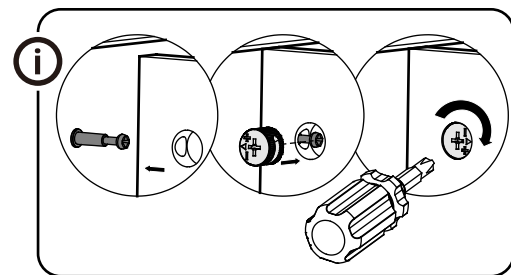
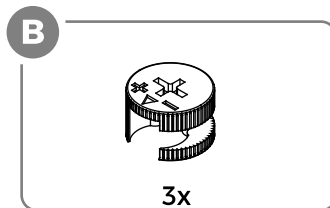
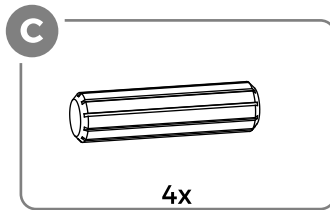
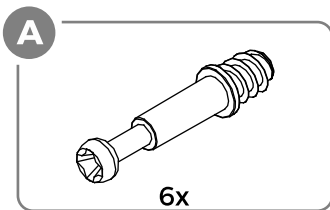
## Step 3



# Assembly Instructions

**CAUTION : Inappropriate installation of screws will cause damages to the product !**

## Step 4



# Assembly Instructions

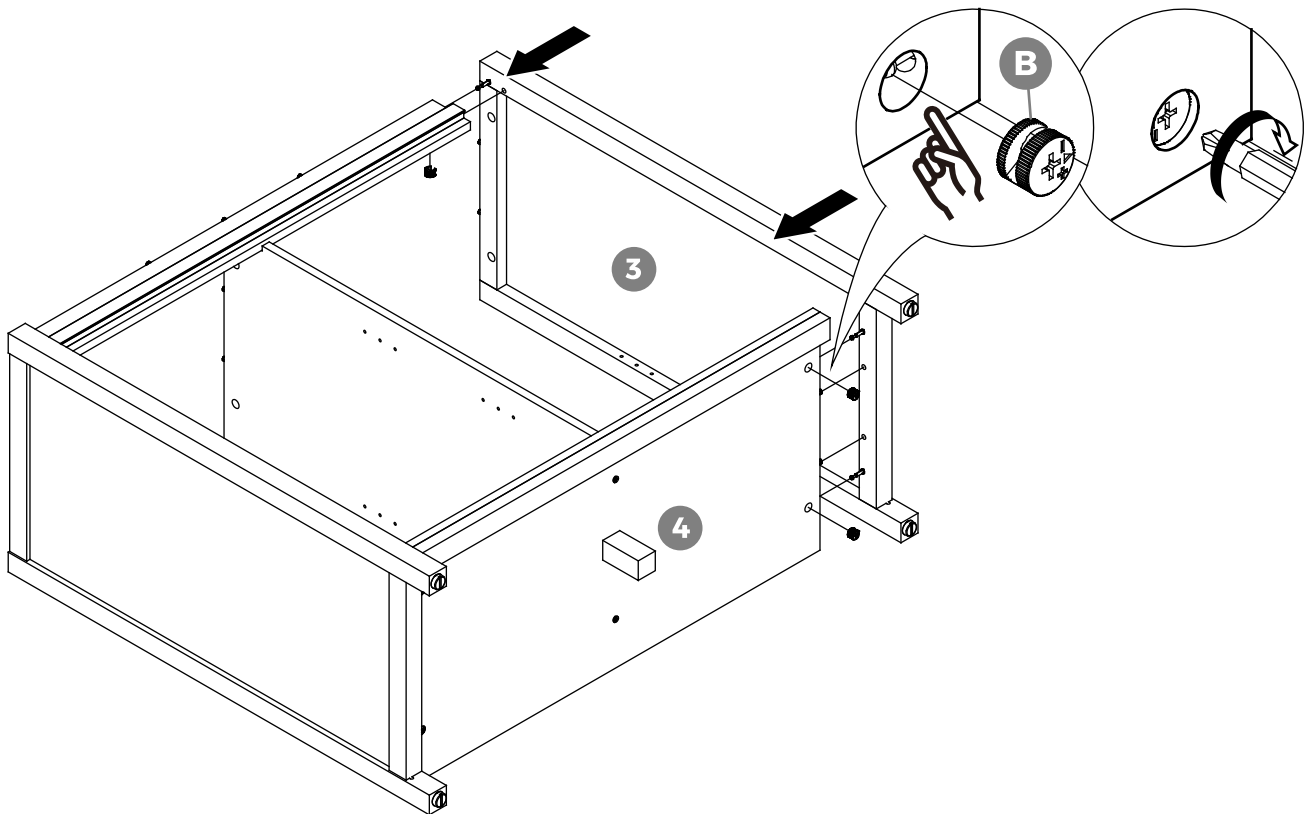
**CAUTION : Inappropriate installation of screws will cause damages to the product !**

## Step 5

**B**



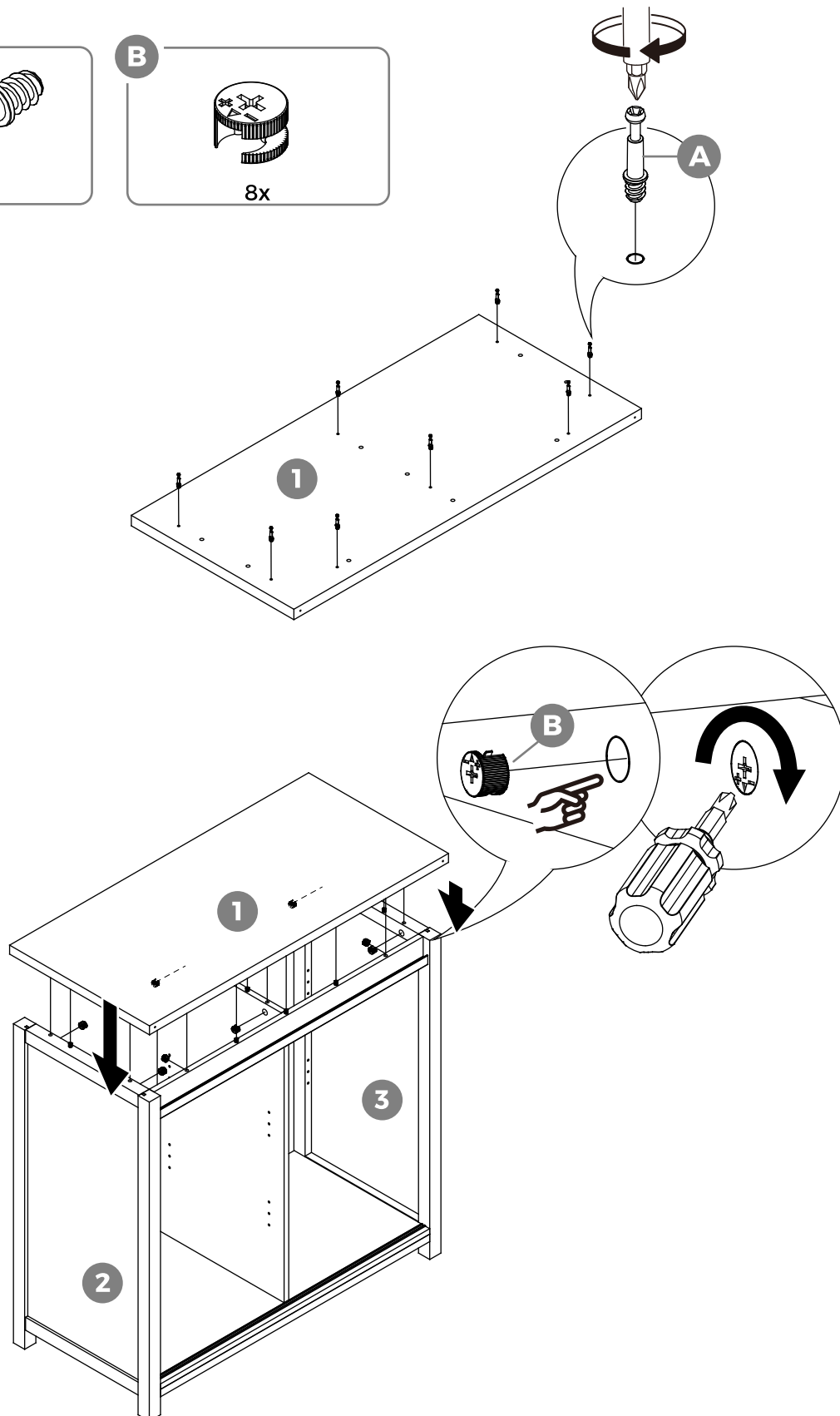
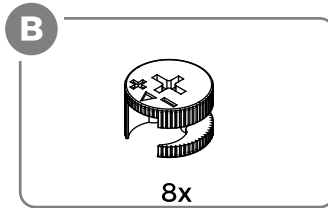
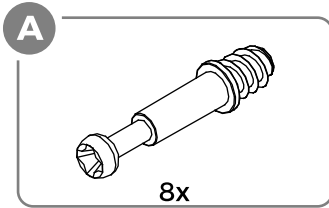
3x



# Assembly Instructions

**CAUTION : Inappropriate installation of screws will cause damages to the product !**

## Step 6

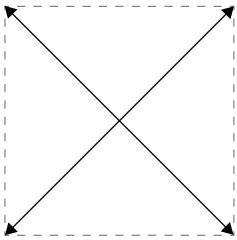


# Assembly Instructions

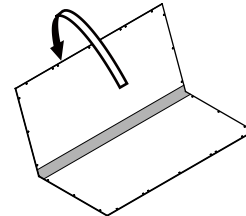
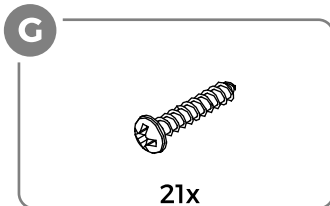
**CAUTION : Inappropriate installation of screws will cause damages to the product !**

## Step 7

**i** Begin by installing all of the screws along one edge of the back panel. Next, using a square or tape measure, make sure that the cabinet is square. (If using a tape measure, the distance from one corner, diagonally to the other corner should be the same in both directions.) If not, apply gentle pressure to the diagonally opposite corners to shift case into alignment. Re-measure to ensure equal distances. Install the remaining screws, starting with the corners.

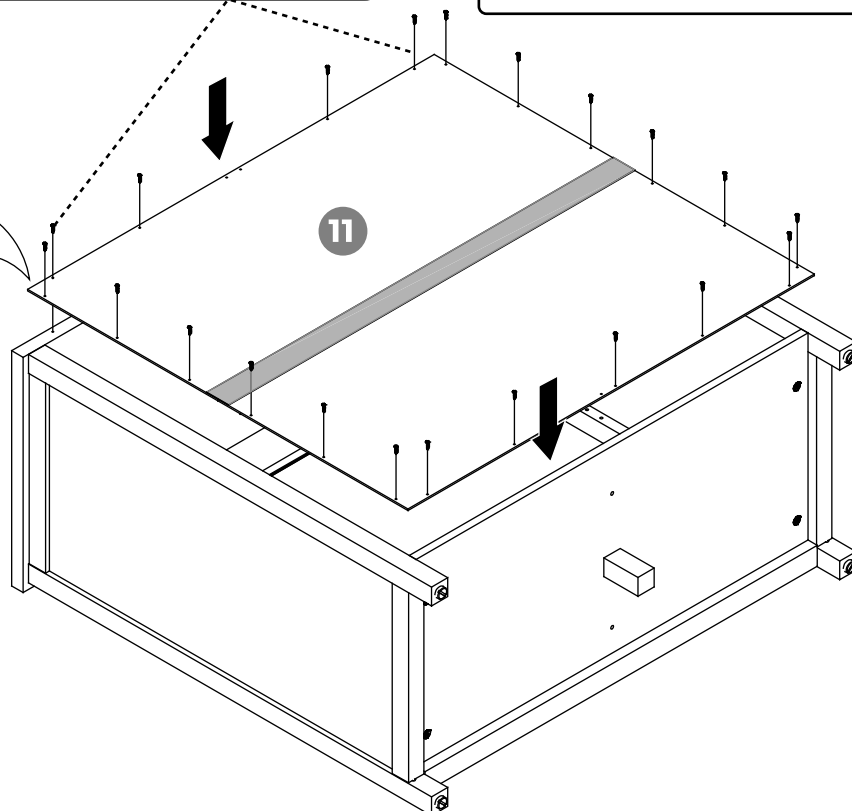
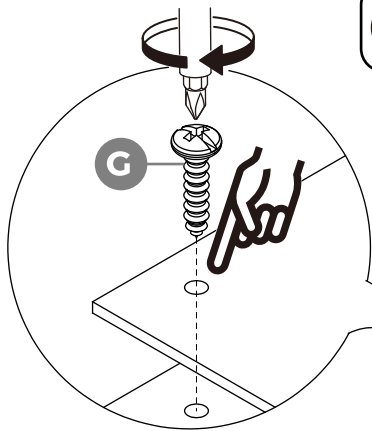


**FAILURE TO FOLLOW ALL DIRECTIONS ON THIS PAGE  
MAY RESULT IN UNEVEN DOOR ALIGNMENT**



**Gently open the back panel and  
lay it flat for installation.**

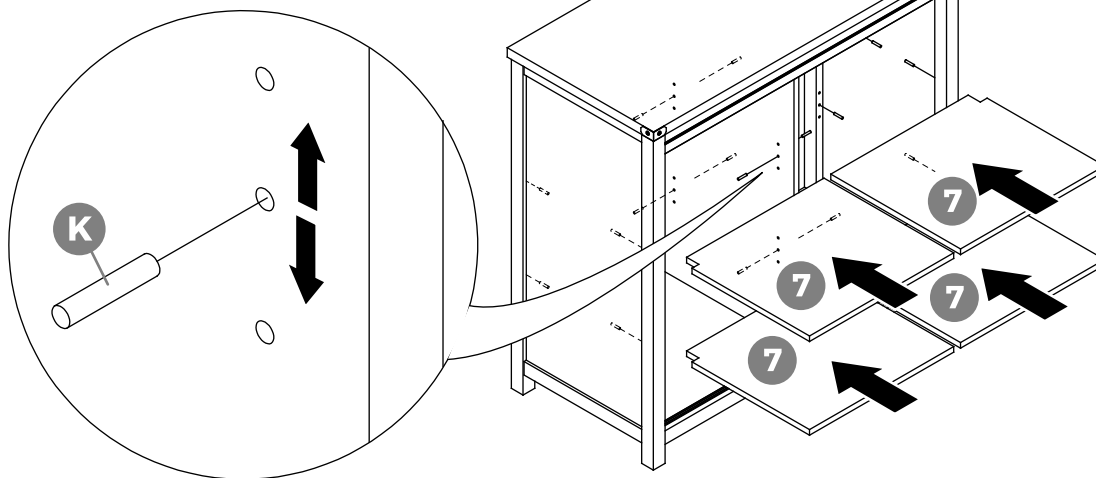
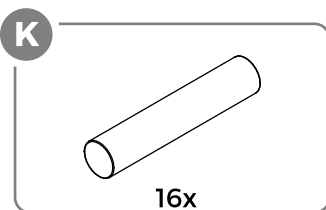
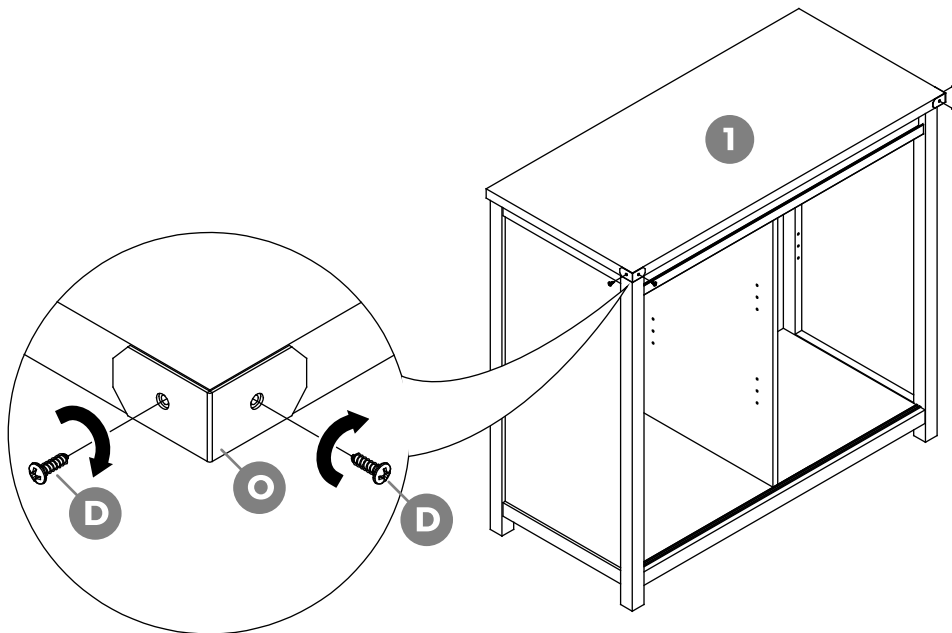
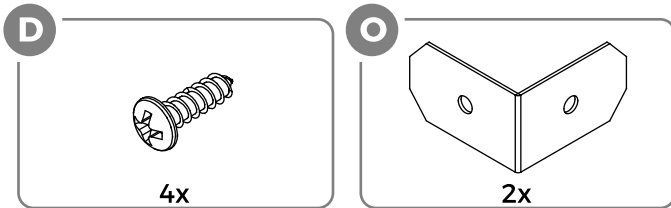
**i** Please mind to align  
the pre-drilled holes.



# Assembly Instructions

**CAUTION : Inappropriate installation of screws will cause damages to the product !**

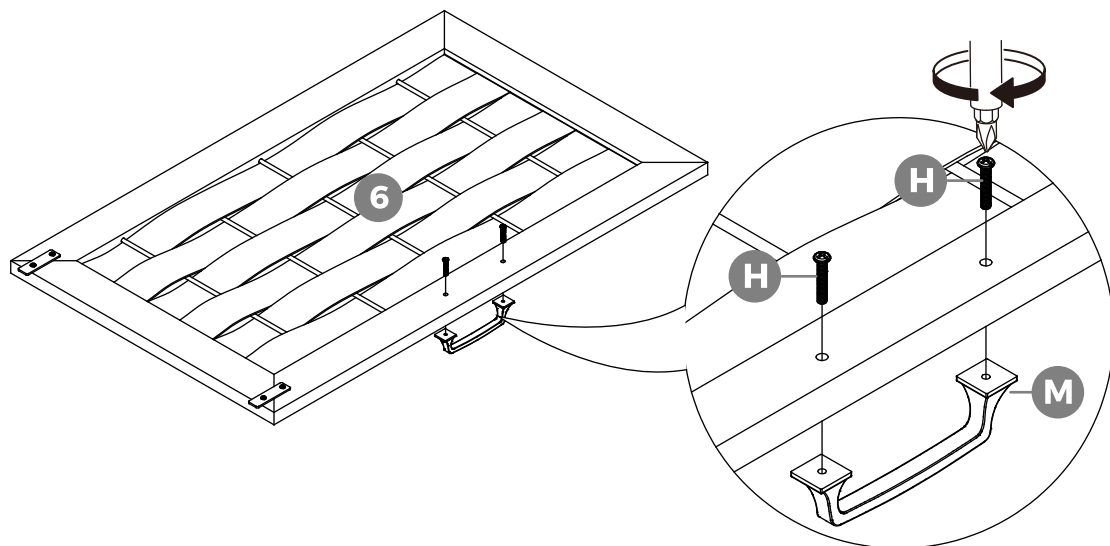
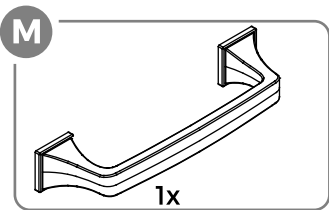
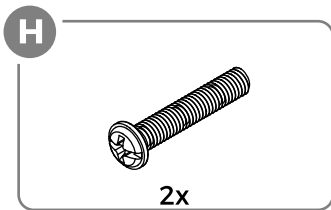
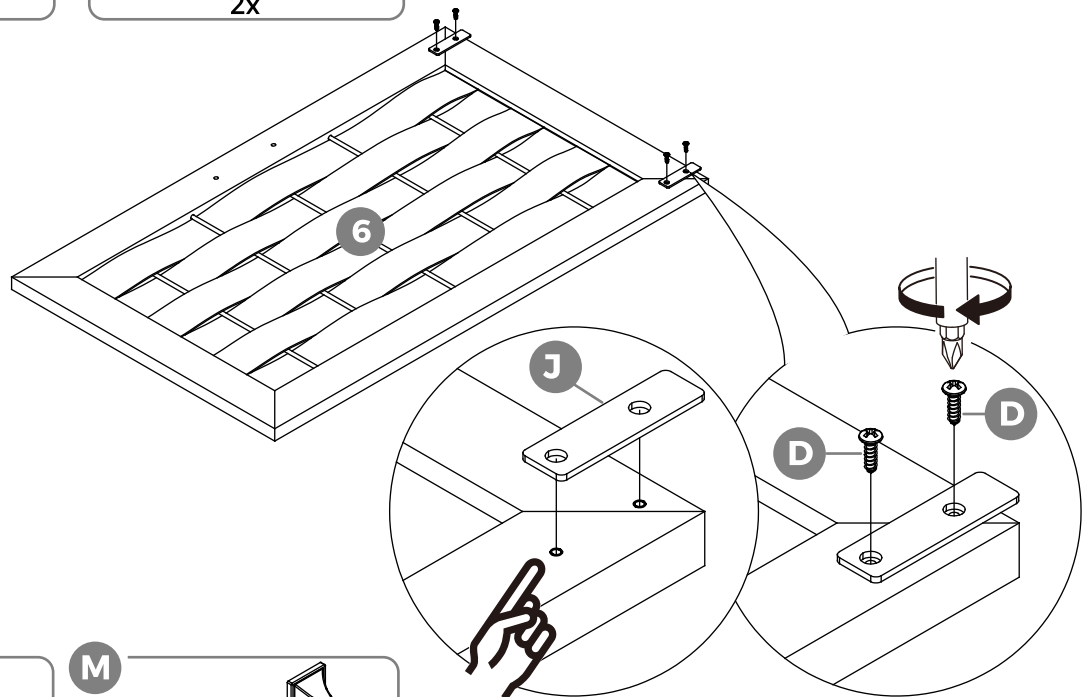
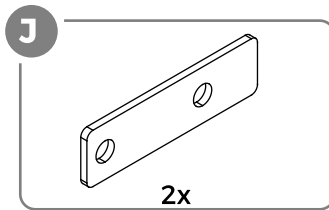
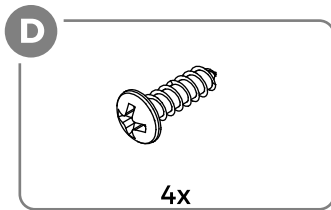
## Step 8



# Assembly Instructions

CAUTION : Inappropriate installation of screws will cause damages to the product !

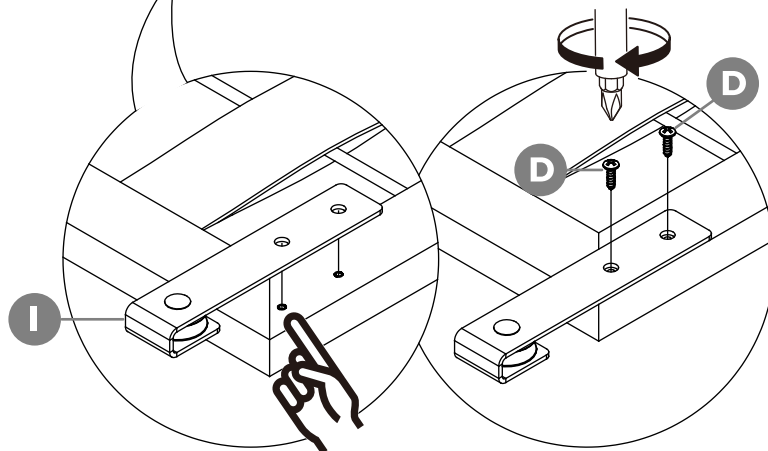
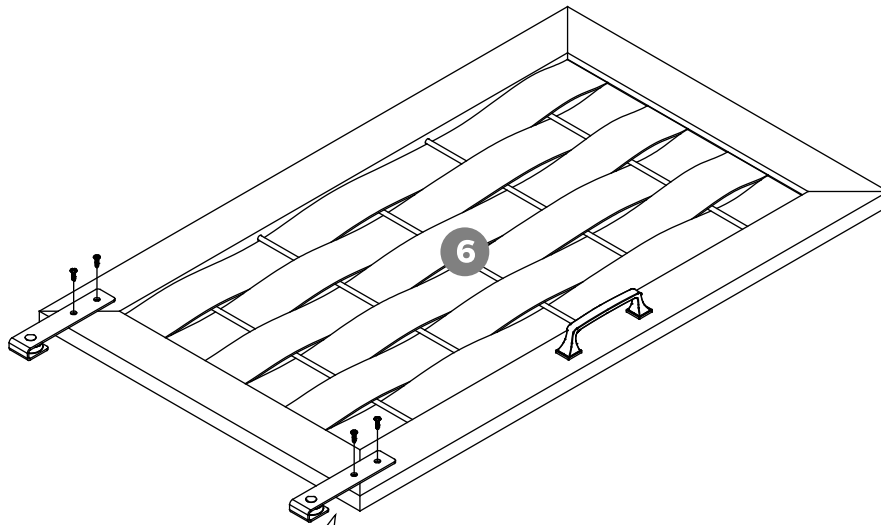
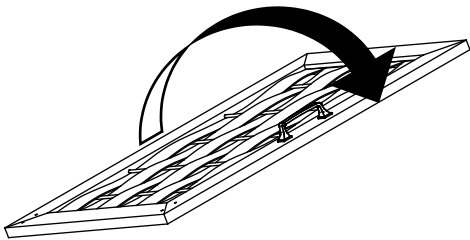
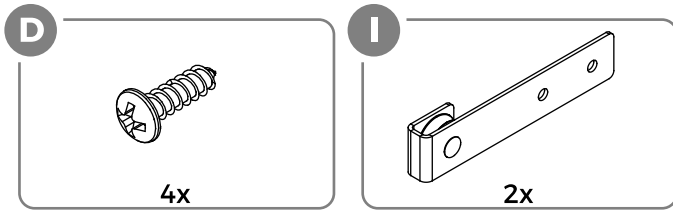
## Step 9



# Assembly Instructions

**CAUTION : Inappropriate installation of screws will cause damages to the product !**

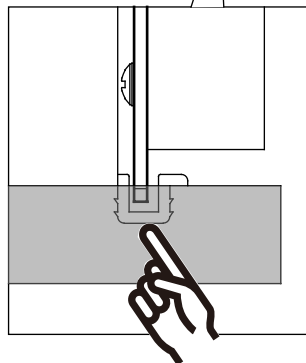
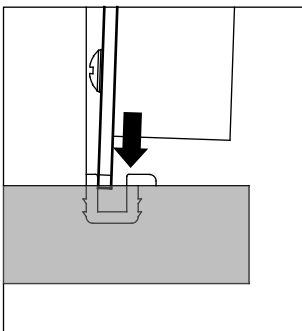
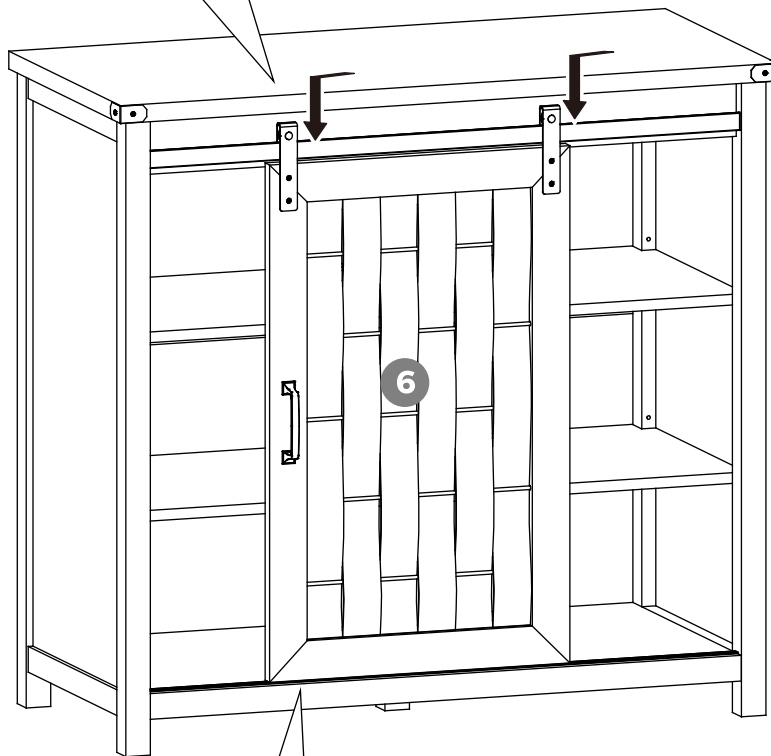
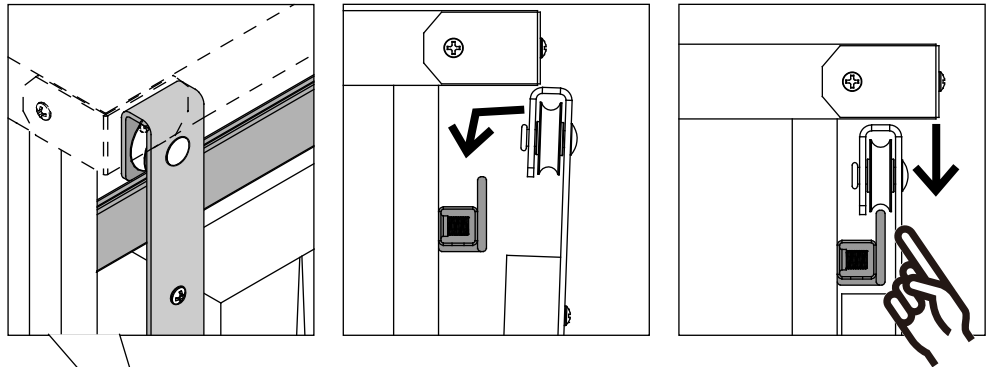
## Step 10



# Assembly Instructions

**CAUTION : Inappropriate installation of screws will cause damages to the product !**

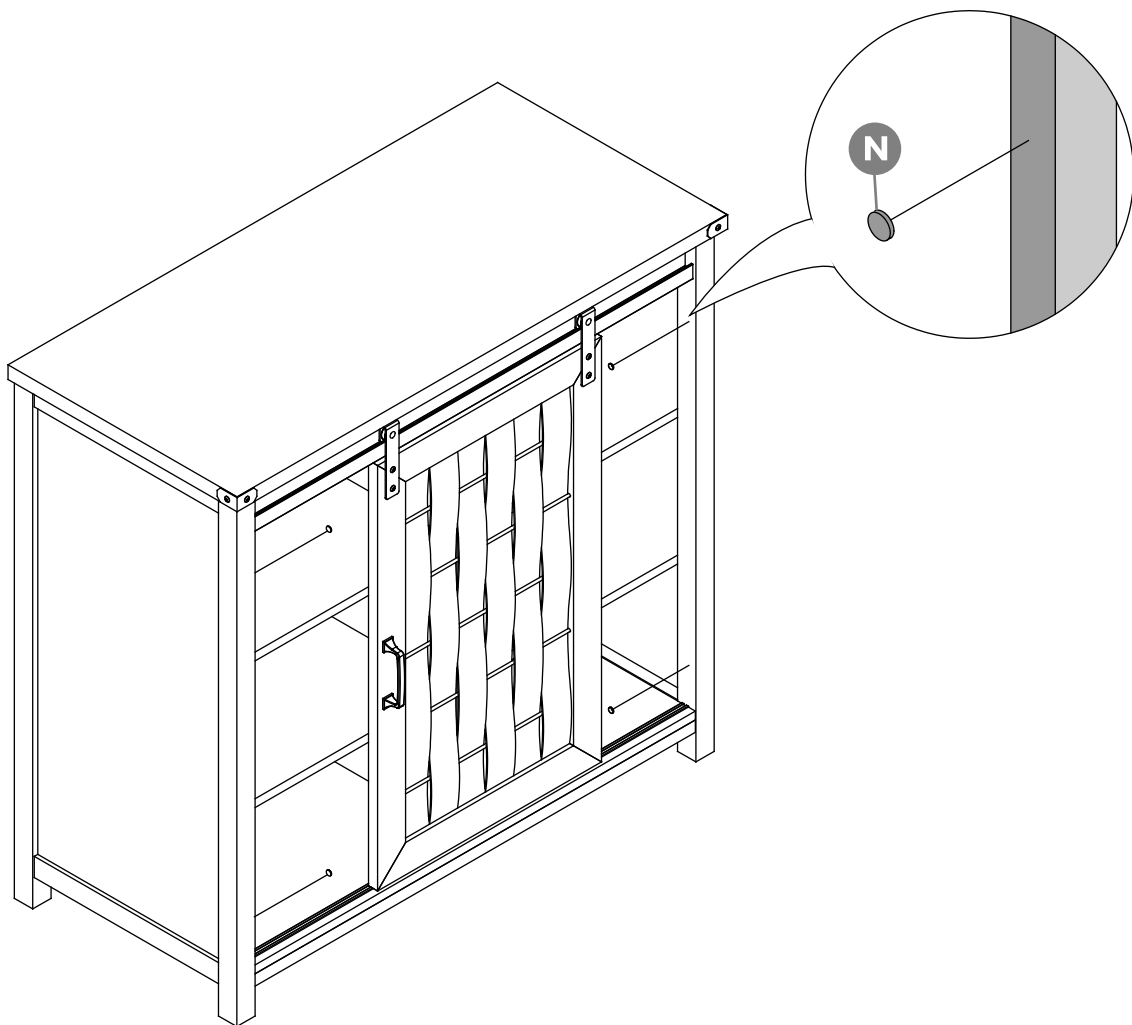
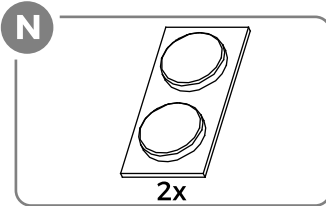
## Step 11



# Assembly Instructions

**CAUTION : Inappropriate installation of screws will cause damages to the product !**

## Step 12

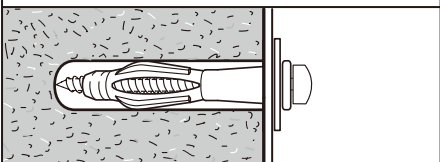
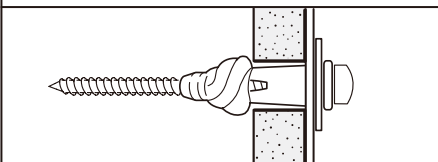
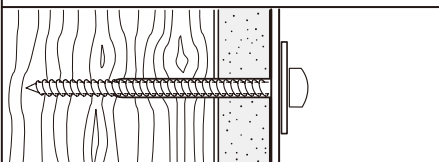




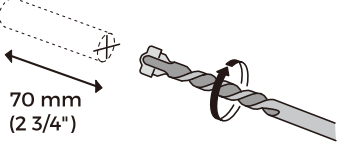
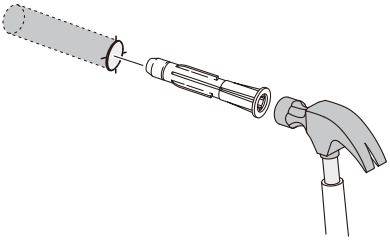
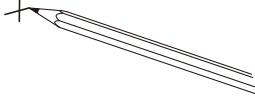
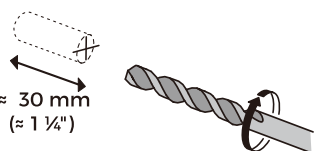
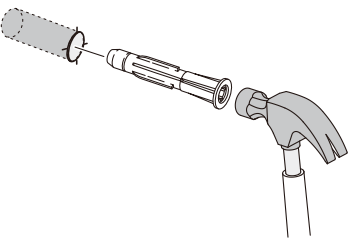
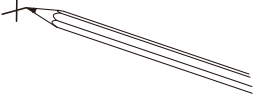




# Assembly Instructions

**CAUTION : Inappropriate installation of screws will cause damages to the product !**

## Step 13

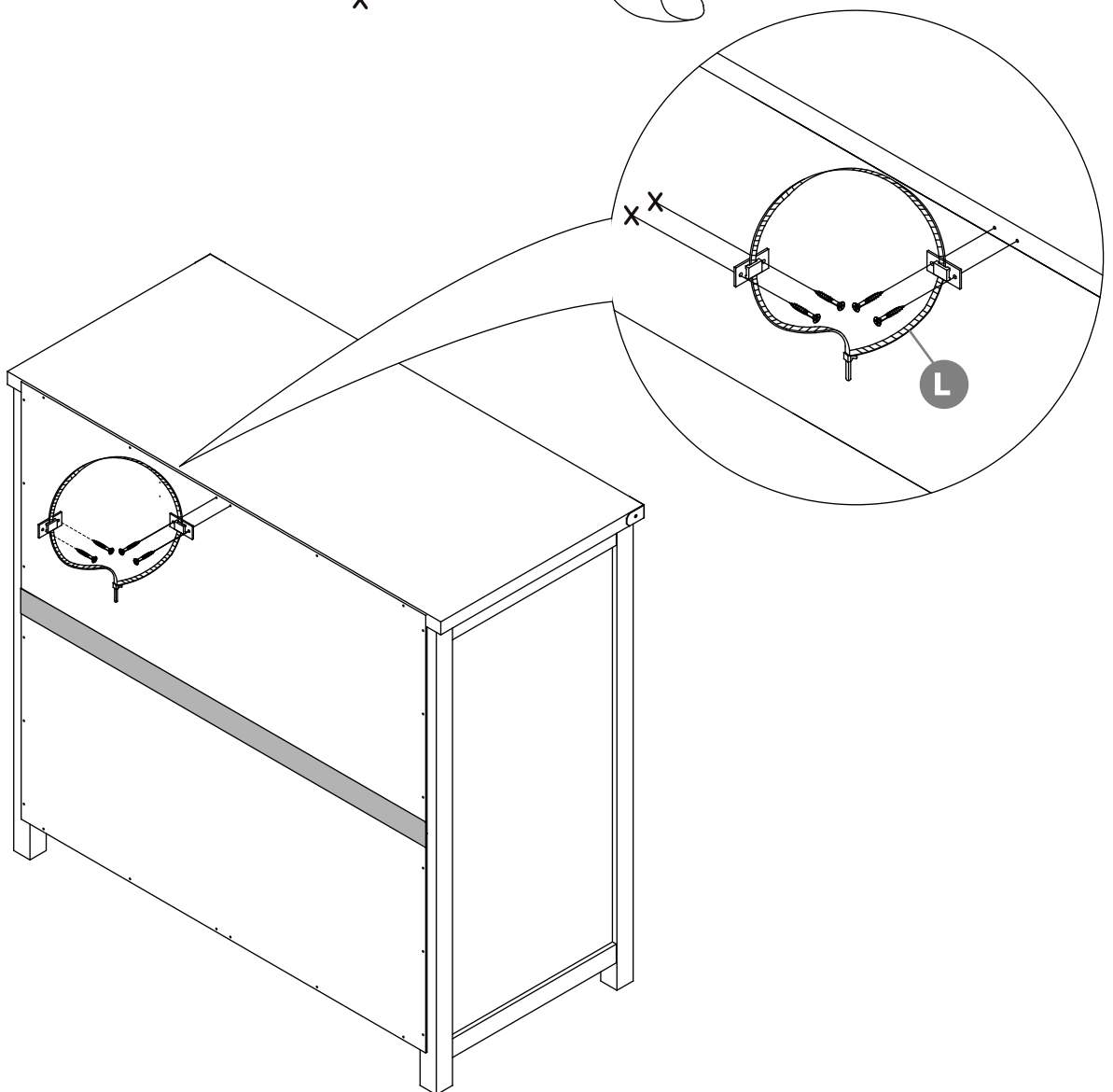
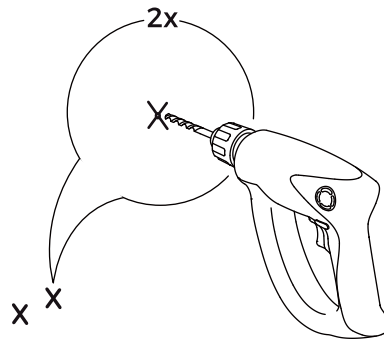
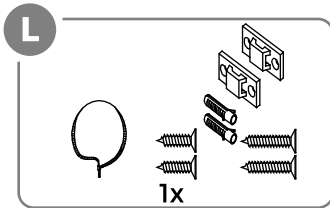
The screw(s) and plug(s) supplied can be used with most solid (A) and hollow (B) walls. For solid wood (C) use the screw(s) without plug(s). If you are uncertain, please seek professional advice.

A	B	C
		
<p>Ø 8 mm (5/16")</p> 	<p>Ø 8 mm (5/16")</p> 	<p>Ø 3 mm (1/8")</p> 
<p><b>1</b></p>  <p><b>2</b></p>  <p>70 mm (2 3/4")</p> <p><b>3</b></p> 	<p><b>1</b></p>  <p><b>2</b></p>  <p>≈ 30 mm (≈ 1 1/4")</p> <p><b>3</b></p> 	<p><b>1</b></p>  <p><b>2</b></p>  <p>≈ 30 mm (≈ 1 1/4")</p> <p><b>3</b></p> 

# Assembly Instructions

**CAUTION : Inappropriate installation of screws will cause damages to the product !**

## Step 14

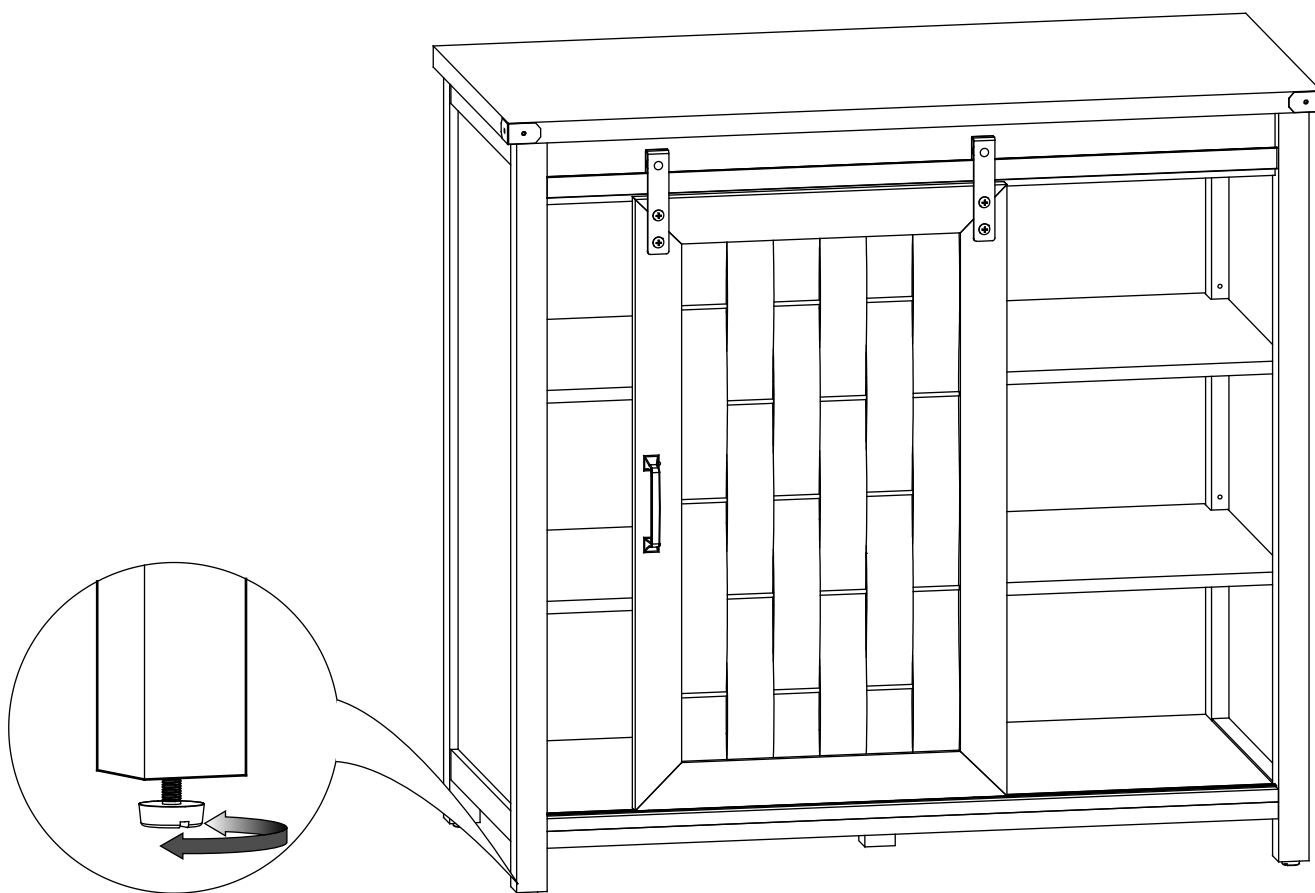


**i** Please note that after assembling the cabinet, please make sure to install the anti tipping device to prevent tipping and injury to people.

# Assembly Instructions

**CAUTION : Inappropriate installation of screws will cause damages to the product !**

## Step 15



### **i** Tips for proper door alignment:

- Adjustable levelers will reduce minor door mis-alignments caused by an uneven floor.
- Use a level to determine if the cabinet top is level. If not, start with the levelers retracted and adjust them as needed. To retract the levelers turn them counterclockwise. To extend the levelers turn them clockwise.