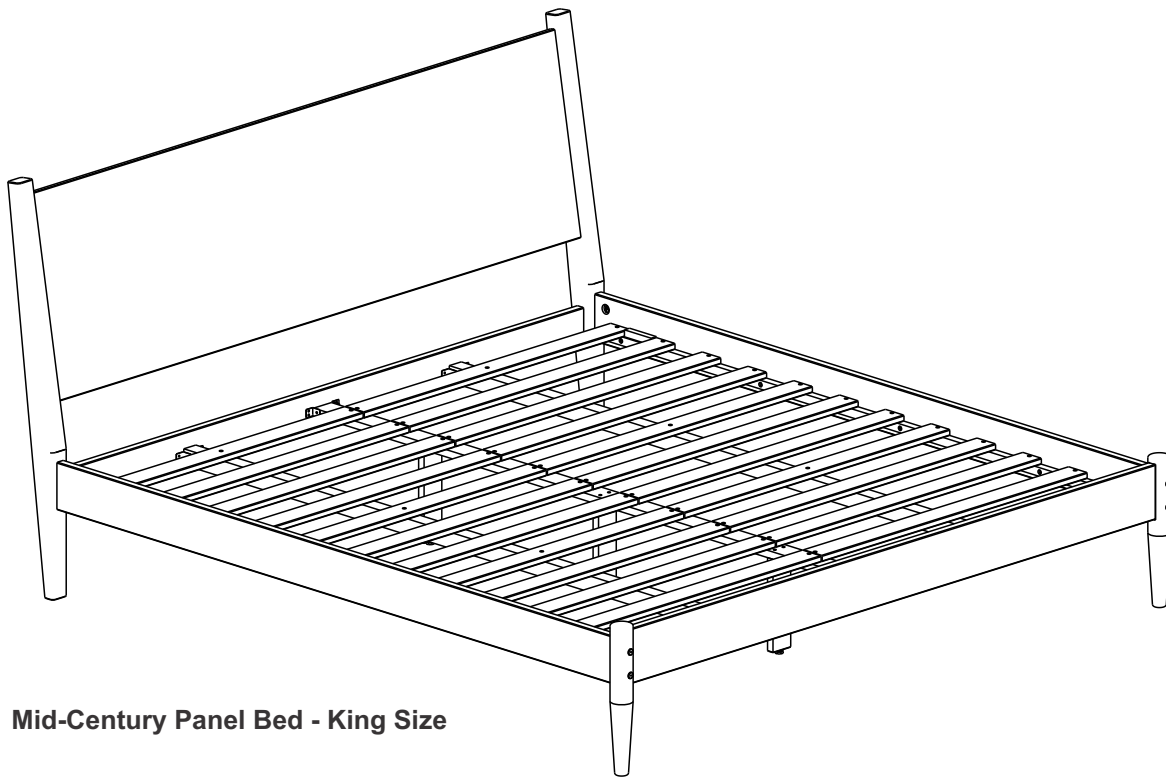
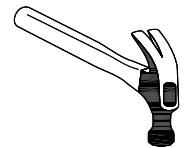
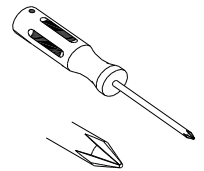
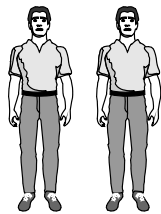


ASSEMBLY INSTRUCTIONS

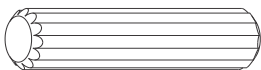


Mid-Century Panel Bed - King Size

01:00 Hs



HARDWARE INCLUDED



A - 10,0x50 Wood Dowel
Qty. 20



B - 4,0x40 Screw
Qty. 16



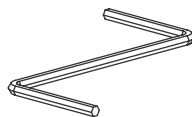
C - 3,5x16 Screw
Qty. 40



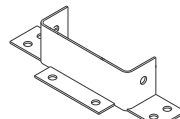
D - 3,5x30 Screw
Qty. 56



E - Screw Nut
Qty. 08



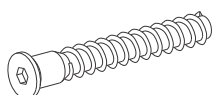
F - Allen Key
Qty. 01



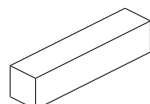
G - Support Bar
Qty. 02



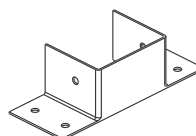
H - 1/4x100 Screw
Qty. 08



I - 7,0x50 Screw
Qty. 06



J - Bed Frame
Separator 100mm
Qty. 02

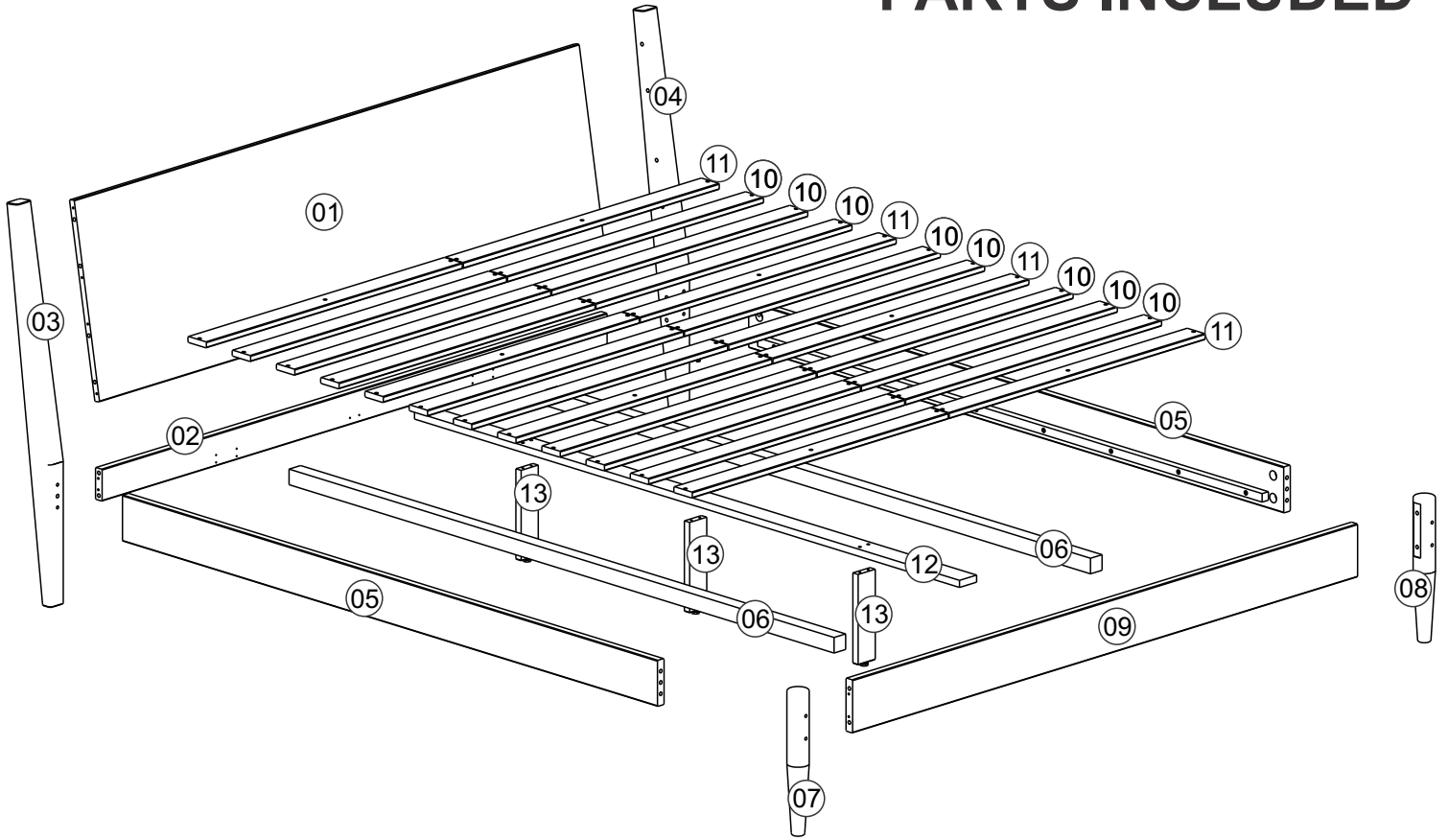


K - Support Bar
Qty. 04

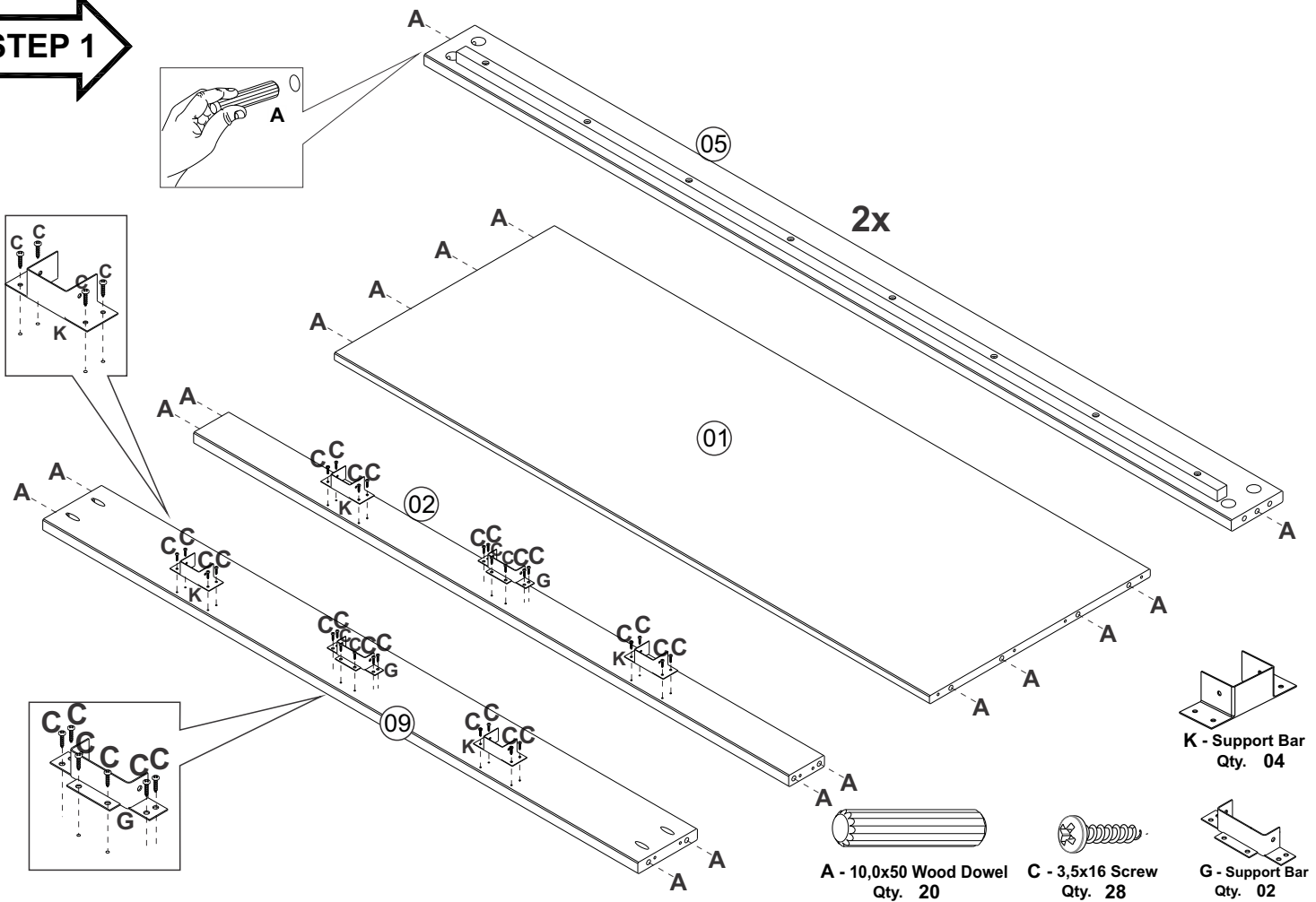


L - Wood Hole
Cover - Qty. 04

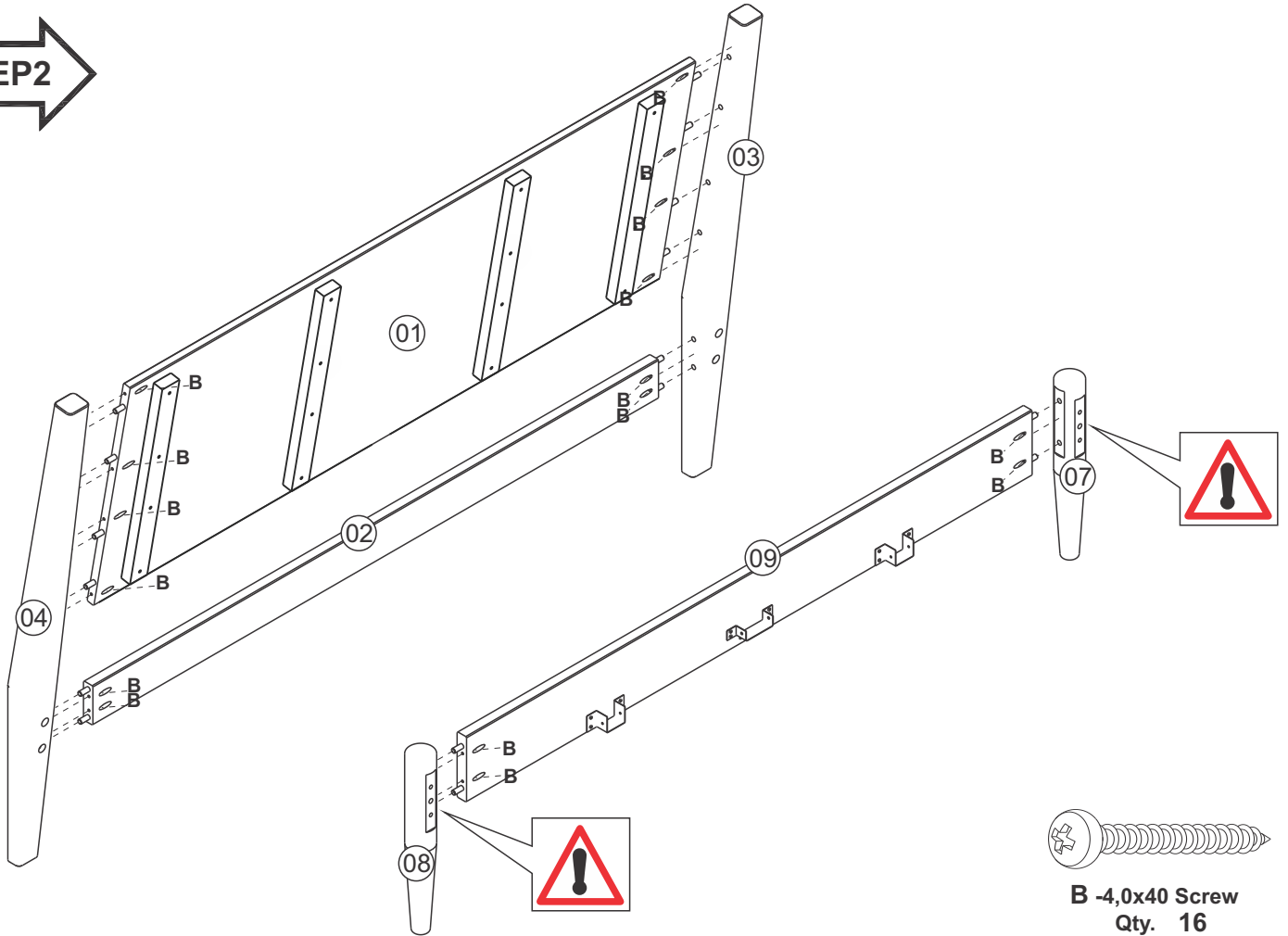
PARTS INCLUDED



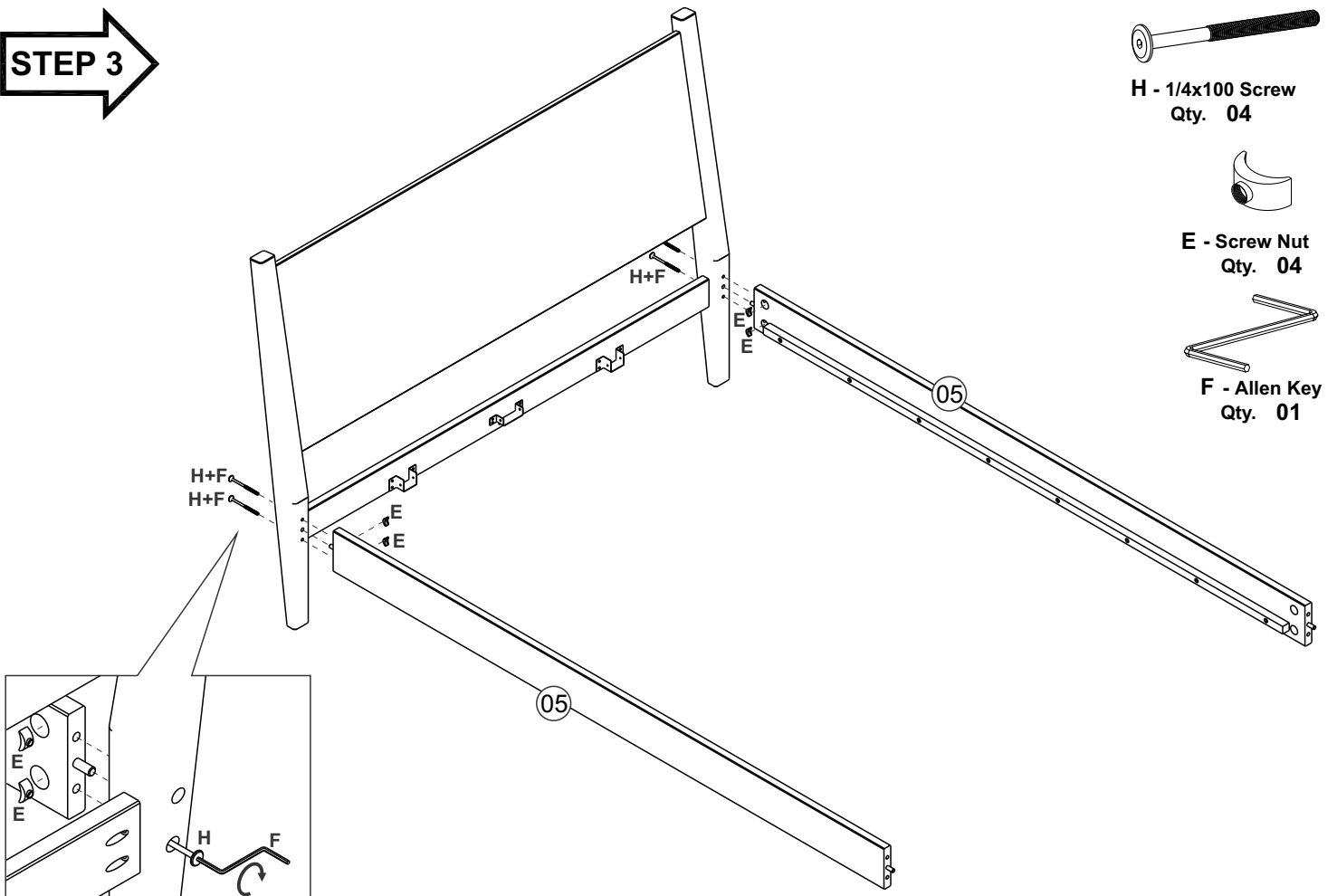
STEP 1



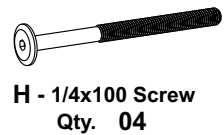
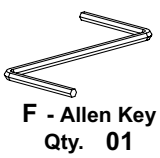
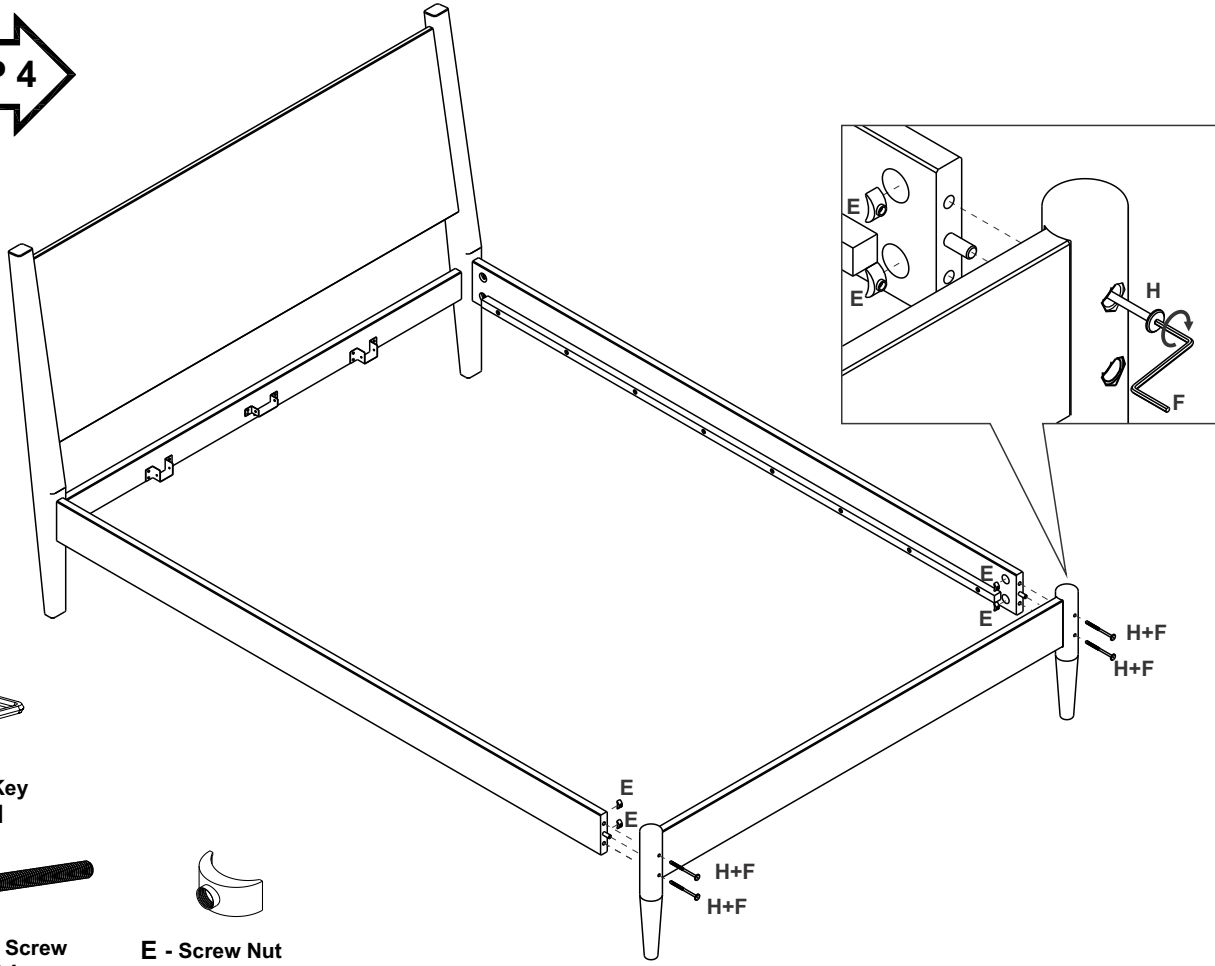
STEP 2



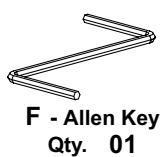
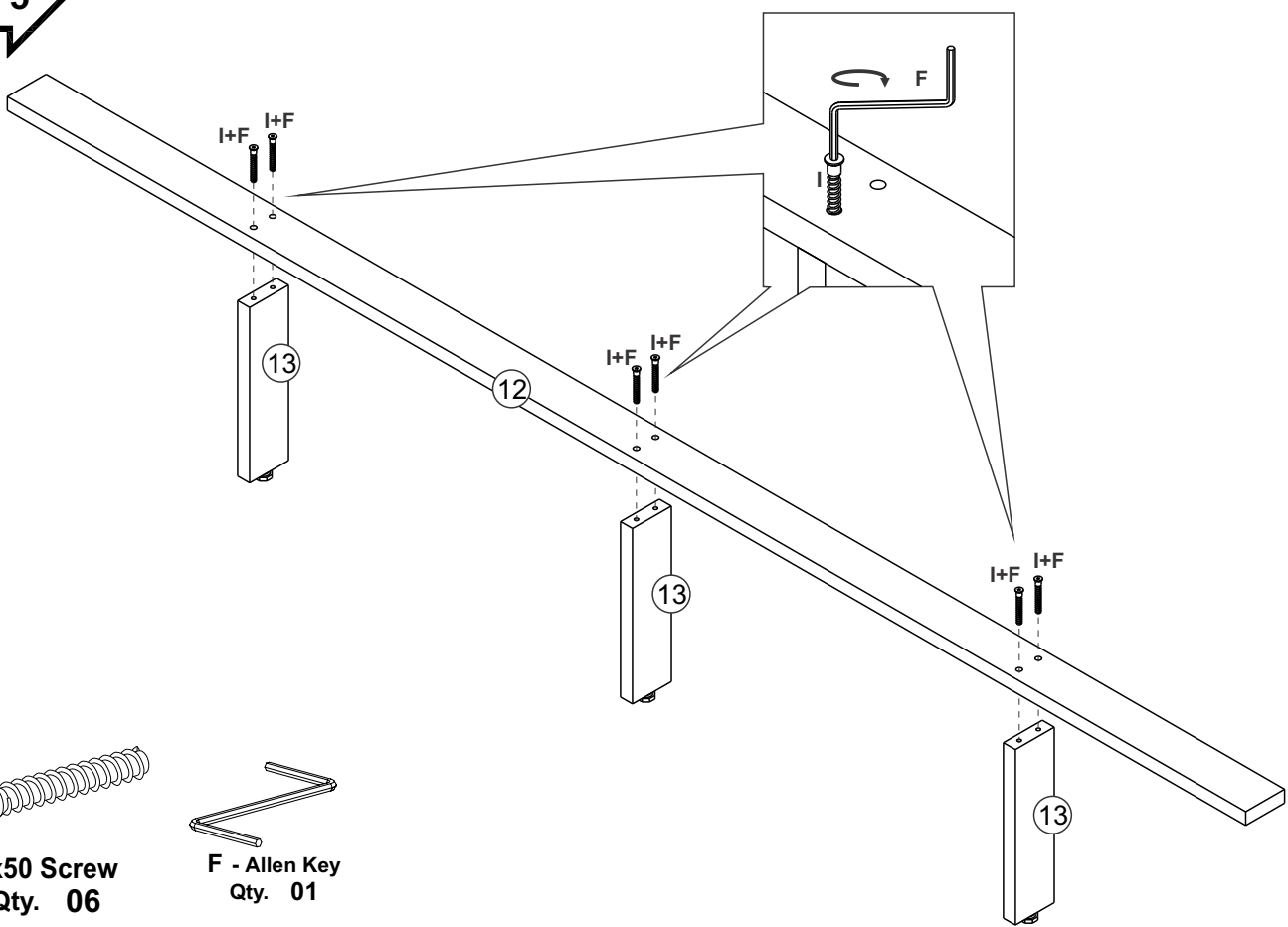
STEP 3



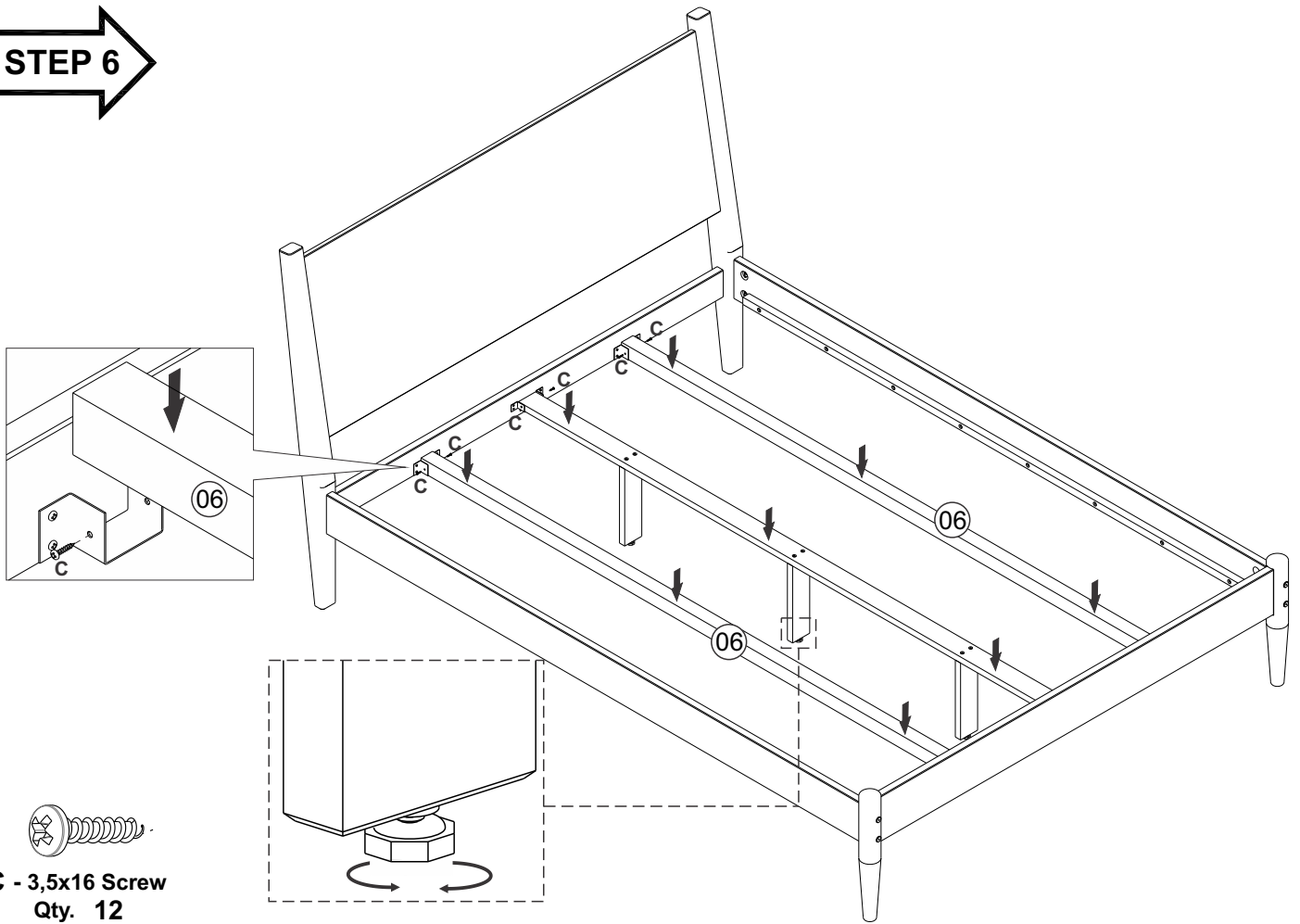
STEP 4



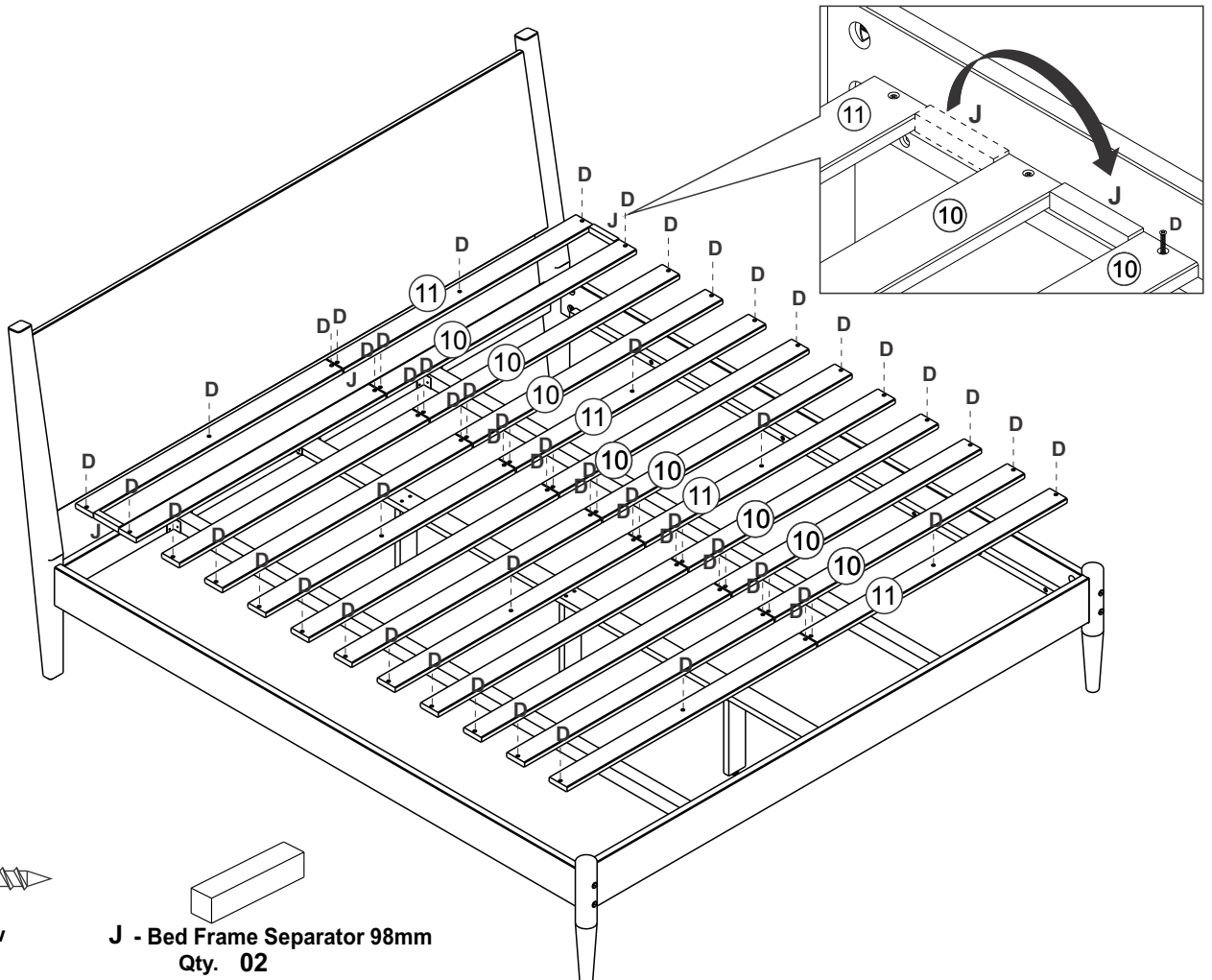
STEP 5



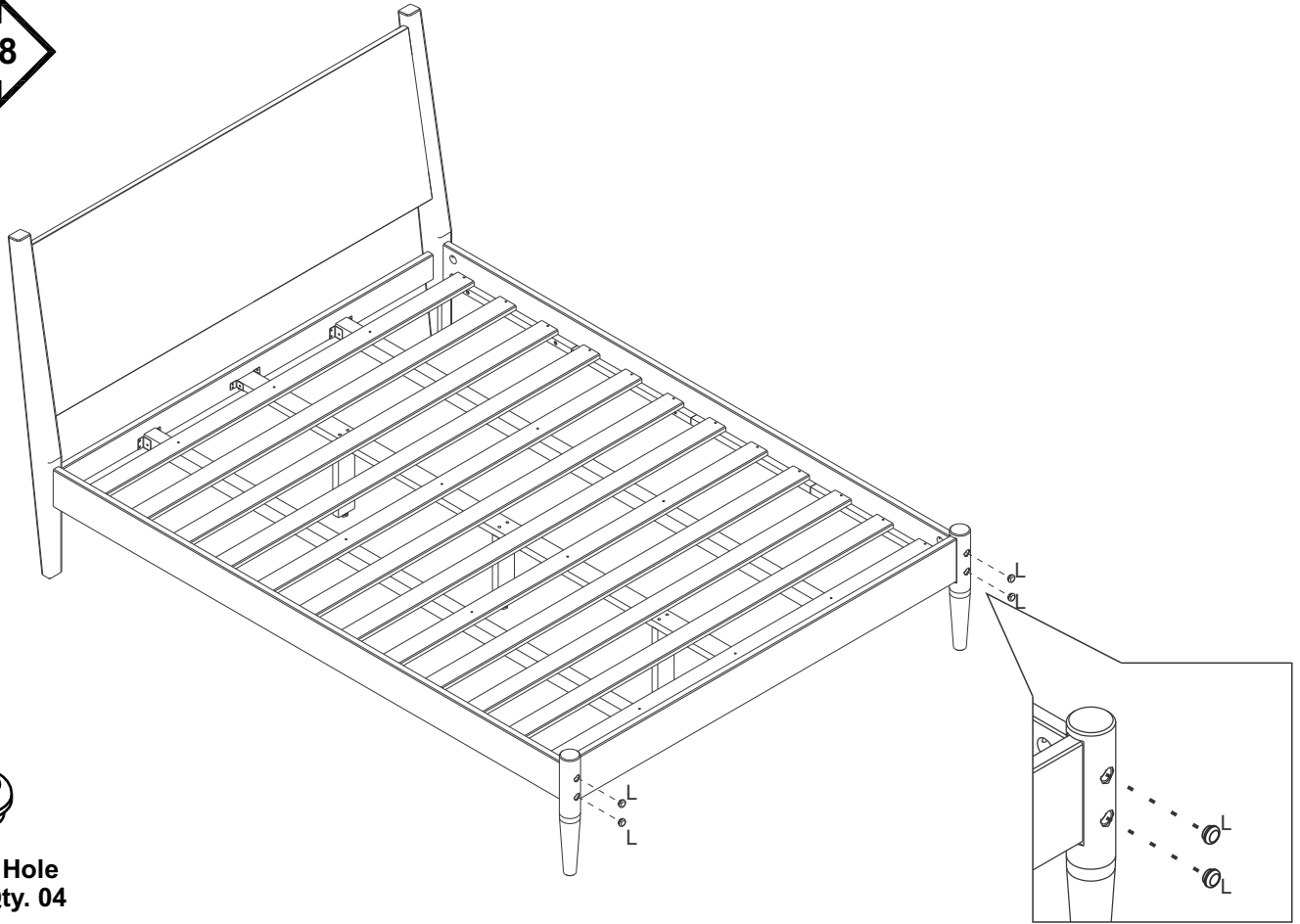
STEP 6



STEP 7



STEP 8



**L - Wood Hole
Cover - Qty. 04**