

# #910 CLASSIC 10 GUN CABINET ASSEMBLY INSTRUCTIONS



 **American**  
Furniture *Classics*

Thank you for purchasing this quality product. A list of PARTS and INSTRUCTIONS is included to assist you. Unpack and identify all parts included on the Parts List and Hardware List. If parts are missing, please DO NOT return this item to the store. For faster service please call our **Customer Service Department at 1-888-673-9080**. For efficient and speedy service, please indicate the model number and code letter of part(s) needed.


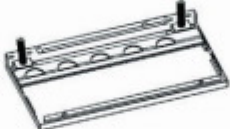



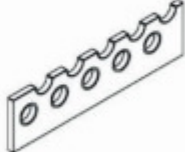



# #910 CLASSIC 10 GUN CABINET ASSEMBLY INSTRUCTIONS

**American**  
Furniture Classics

## HARDWARE LIST

- |  |  |   |
|--|--|---|
| <p>①  <b>SHELF LOCK</b><br/>QTY: 8 PCS</p>  | <p>②  <b>DOOR KEY</b><br/>QTY: 1 SET</p>  | <p>③  <b>SHELF SUPPORT X</b><br/>8 PCS</p>     |
| <p>④  <b>DOOR HANDLE</b><br/>QTY: 1 PCS</p> | <p>⑤  <b>WRENCH</b><br/>X 1 PCS</p>       | <p>⑥  <b>PLASTIC WASHER</b><br/>QTY: 2 PCS</p> |
| <p>⑦  <b>M6X12 LCK</b><br/>QTY: 8 SETS</p>  | <p>⑧  <b>M6X8 RND</b><br/>QTY: 4 SETS</p> |   |

## PARTS LIST

- |   |   |   |
|---|---|---|
| <p>Ⓐ <b>METAL BACK PANEL</b><br/>QTY: 1 PCS</p>  | <p>Ⓓ <b>BOTTOM PANEL</b><br/>QTY: 1 PCS</p>  | <p>Ⓖ <b>ADJUSTABLE SHELF</b><br/>QTY: 1 PCS</p>  |
| <p>Ⓑ <b>LEFT SIDE PANEL</b><br/>QTY: 1 PCS</p>   | <p>Ⓔ <b>TOP PANEL</b><br/>QTY: 1 PCS</p>     | <p>Ⓕ <b>BARREL REST</b><br/>QTY: 1 PCS</p>       |
| <p>Ⓒ <b>RIGHT SIDE PANEL</b><br/>QTY: 1 PCS</p>  | <p>Ⓕ <b>DOOR</b><br/>QTY: 1 PCS</p>          | <p>Ⓖ <b>WOOD BACK PANEL</b><br/>QTY: 1 PCS</p>   |

## CUSTOMER SERVICE

Toll Free 888-673-9080 • Fax 417-673-9081 • E-mail [service@americanfurnitureclassics.com](mailto:service@americanfurnitureclassics.com)

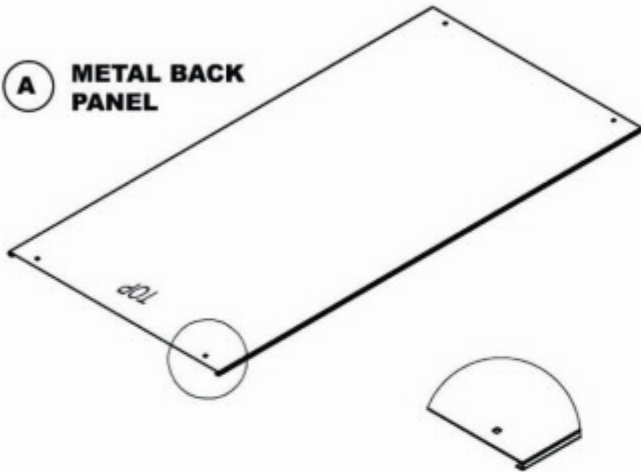
# #910 CLASSIC 10 GUN CABINET ASSEMBLY INSTRUCTIONS



## STEP 1

1

**(A) METAL BACK PANEL**



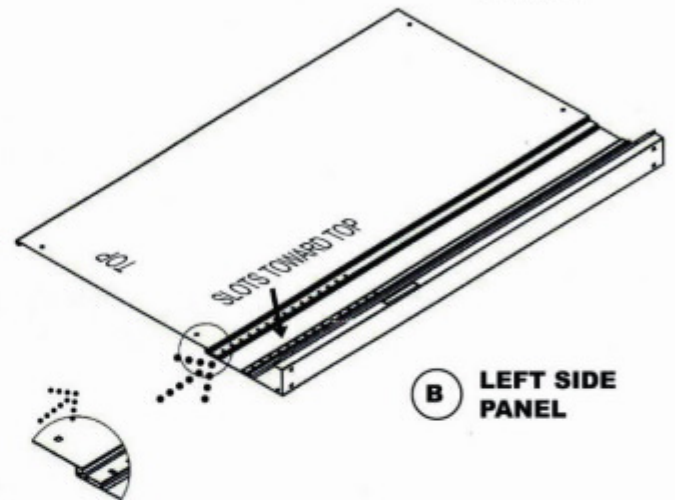
LAY METAL BACK PANEL ON FLOOR WITH INSIDE OF BACK PANEL FACING UP.

## STEP 2

2

### NOTE

HOLES/SLOTS IN CABINET SIDES FOR ADJUSTABLE SHELF BARREL REST MUST BE TOWARD TOP CABINET



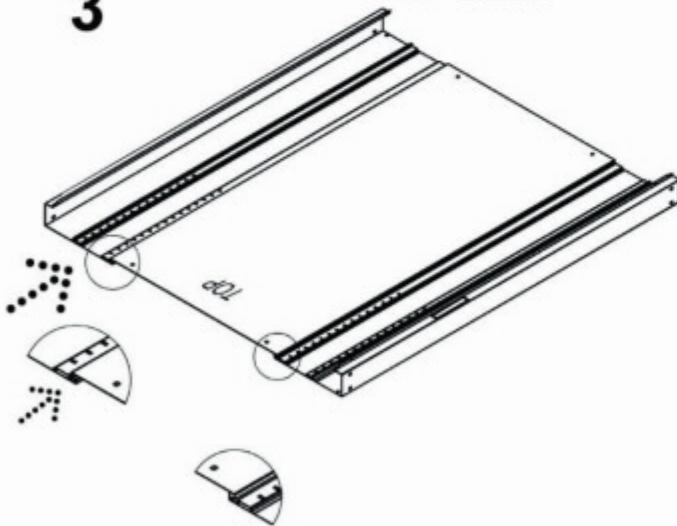
**(B) LEFT SIDE PANEL**

HOOK / ATTACH LEFT SIDE PANEL TO BACK PANEL.

## STEP 3

3

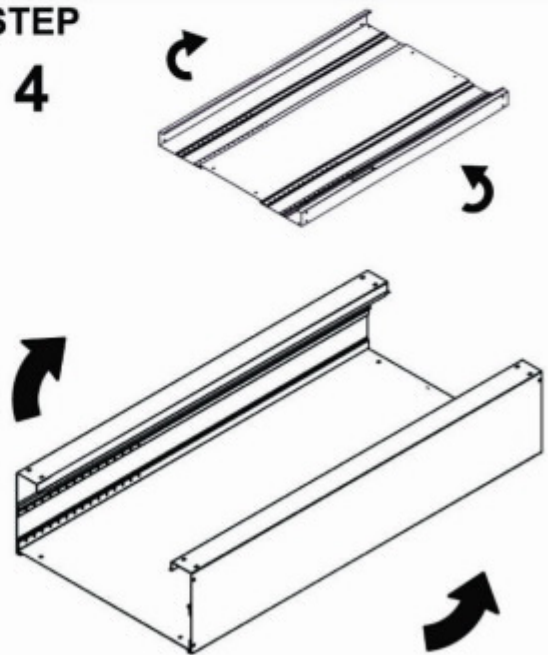
**(C) RIGHT SIDE PANEL**



HOOK / ATTACH RIGHT SIDE PANEL TO BACK PANEL.

## STEP 4

4



ROTATE FRONT EDGE OF BOTH SIDE PANELS UPWARD TO FORM RECTANGULAR CABINET SHAPE.

# #910 CLASSIC 10 GUN CABINET ASSEMBLY INSTRUCTIONS

**American**  
Furniture Classics

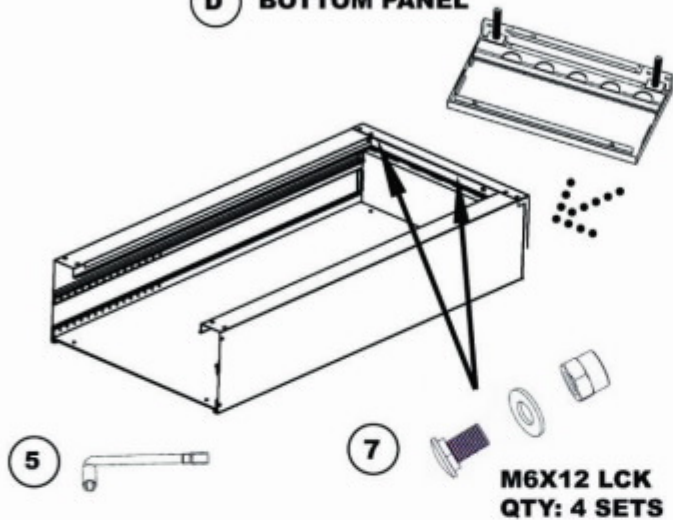
## STEP

### 5

### IMPORTANT

DO NOT FULLY TIGHTEN THE BOLTS DURING THIS STEP.

#### D BOTTOM PANEL



SLIDE BOTTOM PANEL OVER THE SIDE AND BACK PANELS. INSERT 4 - M6X12 BOLTS THROUGH FRONT AND LOOSELY TIGHTEN WASHER & LOCK NUTS FROM INSIDE.

## STEP

### 6

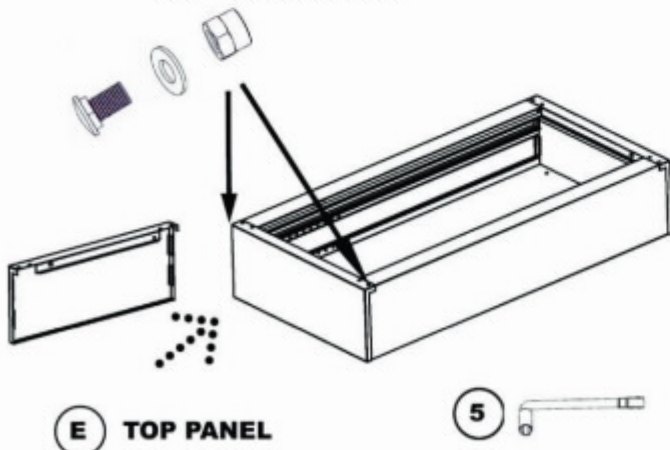


INSERT AND SLIDE WOOD BACK PANEL INTO PLACE FROM TOP END OF CABINET.

## STEP

### 7

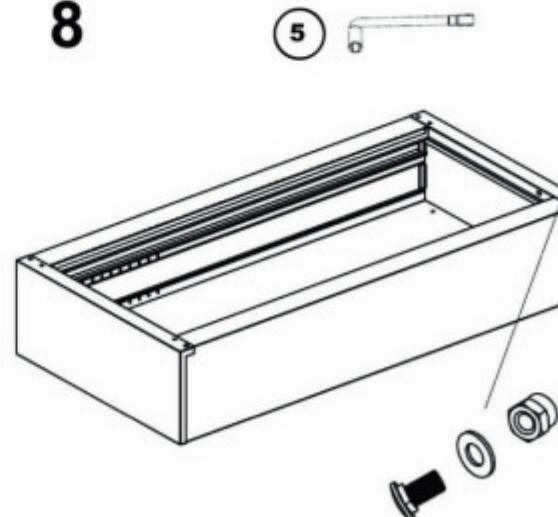
7 M6X12 LCK  
QTY: 4 SETS



SLIDE TOP PANEL OVER THE SIDE, CENTER AND BACK PANELS. INSERT 4 - M6X12 BOLTS THROUGH FRONT AND FULLY TIGHTEN WASHER & LOCK NUTS FROM INSIDE USING WRENCH.

## STEP

### 8



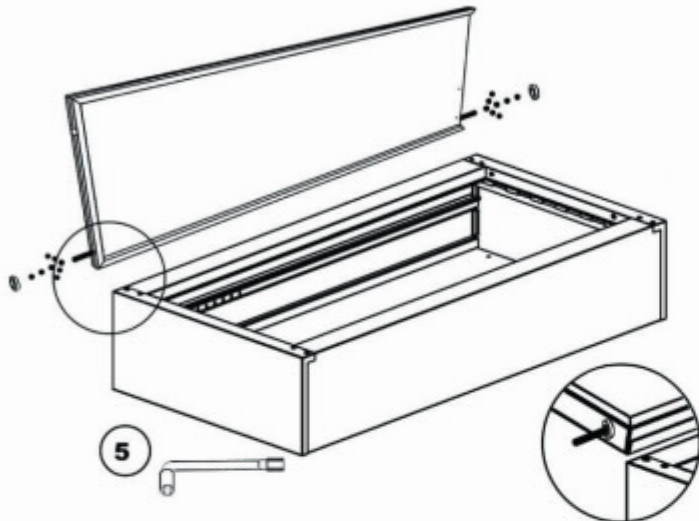
RETURN TO BOTTOM PANEL AND FULLY TIGHTEN THE 4 - M6X12 BOLTS FROM INSIDE USING THE WRENCH.

# #910 CLASSIC 10 GUN CABINET ASSEMBLY INSTRUCTIONS

**American**  
Furniture Classics

## STEP

### 9



DOOR IS EQUIPPED WITH TOP AND BOTTOM "SPRING" HINGE PINS.

SLIDE PLASTIC WASHER(6) ONTO EACH HINGE PIN.

INSERT THE HINGE PIN ON ONE END OF THE DOOR.

INTO THE HINGE PIN HOLE IN THE CABINET DOOR FRAME.

POSITION THE OTHER END OF THE DOOR AND THE OTHER HINGE PIN NEAR THE HOLE IN THE OPPOSITE END OF THE DOOR FRAME.

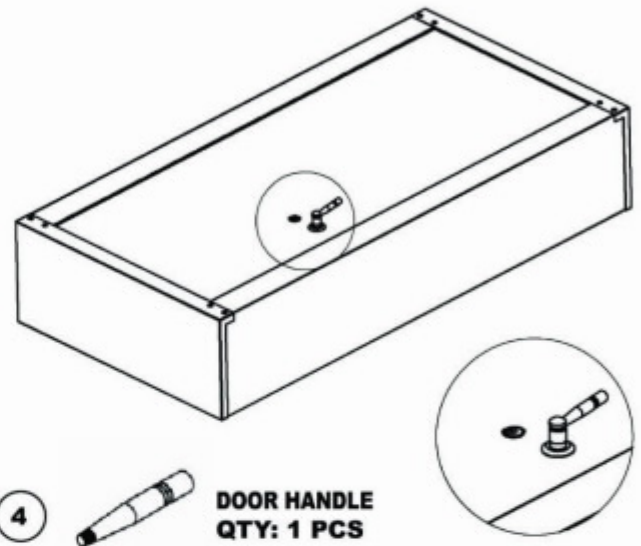
PUSH DOWN ON THE HINGE PIN SO THAT IT RETRACTS INSIDE THE DOOR.

WHILE THE HINGE PIN IS RETRACTED, SLIDE THE DOOR INTO THE DOOR FRAME.

ALIGN HINGE PIN WITH THE HINGE PIN HOLE. WHEN ALIGNED CORRECTLY, THE RETRACTED HINGE PIN WILL "SPRING UP" INTO POSITION. THE DOOR IS NOW FULLY INSTALLED.

## STEP

### 10

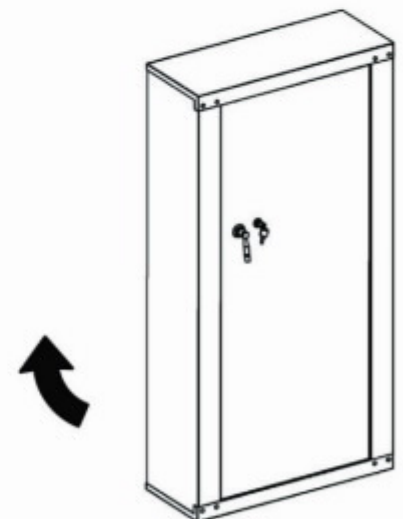


4 **DOOR HANDLE**  
**QTY: 1 PCS**

SCREW LOCK HANDLE INTO DOOR. OPEN AND CLOSE DOOR TO CONFIRM PROPER ALIGNMENT.

## STEP

### 11



LIFT CABINET TO VERTICAL POSITION.

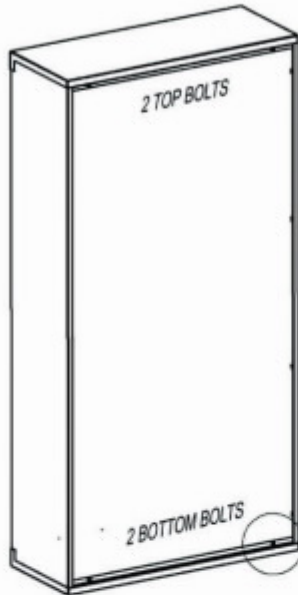
# #910 CLASSIC 10 GUN CABINET ASSEMBLY INSTRUCTIONS

**American**  
Furniture Classics

## STEP 12

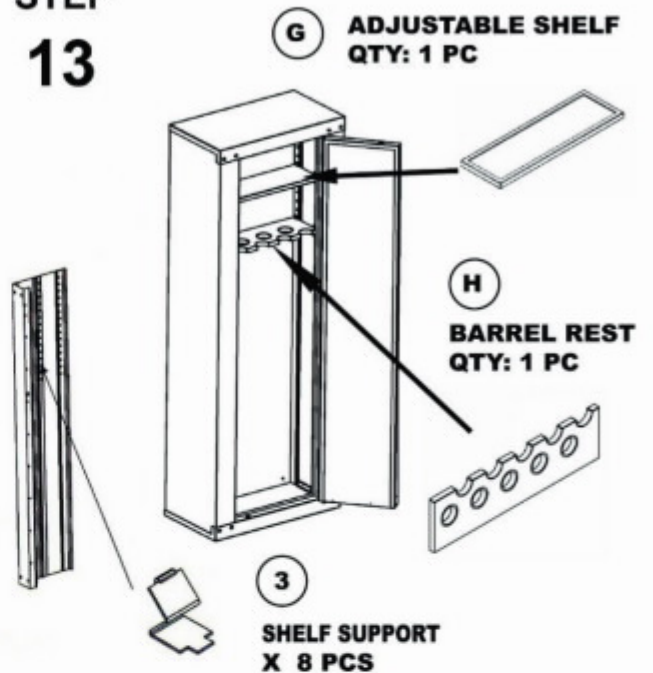


**8**  
M6X8 RND  
QTY: 4 SETS



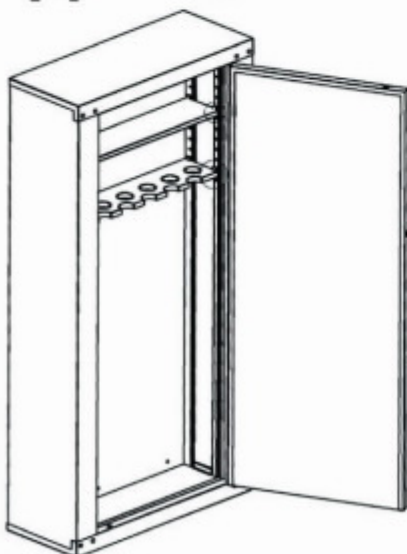
INSERT 4 - M6X8 RND BOLTS THROUGH BACK AND FULLY TIGHTEN WASHER & ROUND HEADED LOCK NUTS FROM INSIDE USING M6 WRENCH.

## STEP 13



INSERT METAL STORAGE SHELVE AND BARREL REST IN THE CABINET USING SHELF SUPPORTS IN THE DESIRED LOCATION.

## STEP 14



**1**  
SHELF LOCK  
QTY: 8 PCS



INSERT PLASTIC SAFETY CLIP ABOVE ALL SHELVES AND BARREL RESTS.

## Customer Service

• Toll Free 888-673-9080

• Fax 417-673-9081

• E-mail

[service@americanfurnitureclassics.com](mailto:service@americanfurnitureclassics.com)