

ASSEMBLY INSTRUCTIONS

Medium Wishing Well

TOOLS NEEDED

- Impact Driver with #2 Square Drive Bit (not included)

HARDWARE LIST

- 21 - 2 1/4" Screws (included)

PARTS LIST

- 1 - Roof
- 1 - Base
- 2 - Leg Posts
- 4 - Corner Blocks
- 1 - Handle
- 1 - Center Piece with Bucket & Rope Attached



figure 1

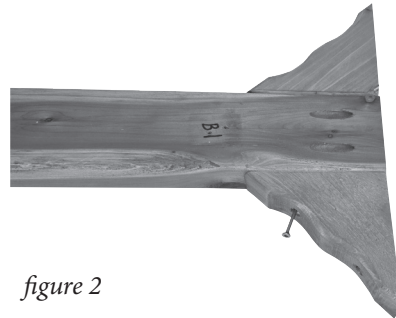


figure 2

Step 1

Match the marked sets (see figure 1) and fasten the corner block to the legs with 2 1/4" screws provided (see figure 2).



figure 3

Step 2

Fasten the legs to the inside of the base. Align pre-drilled screw holes and fasten (3) 2 1/4" screws to each leg. (See figure 3)

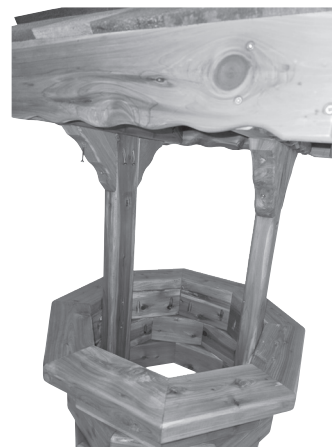


figure 4



figure 5

Step 3

Set roof section on top of legs and fasten with 2 1/4" screws in 2 pocket holes on each leg (see figure 4) and (1) screw in each of the 4 corner blocks. (See figure 5)



figure 6

Step 4

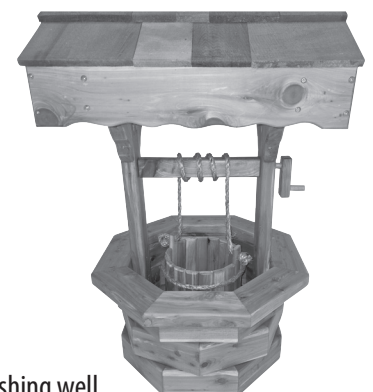
Slide the center piece in with bucket and rope attached on matched sides and fasten (3) screws, (2) on one side and (1) into the hole for the handle. (See figure 6)



figure 7

Step 5

Push or lightly tap with hammer the handle into hole on outside of leg. It should fit tight. No fastener necessary. (See figure 7)



Step 6

Enjoy your wishing well.