







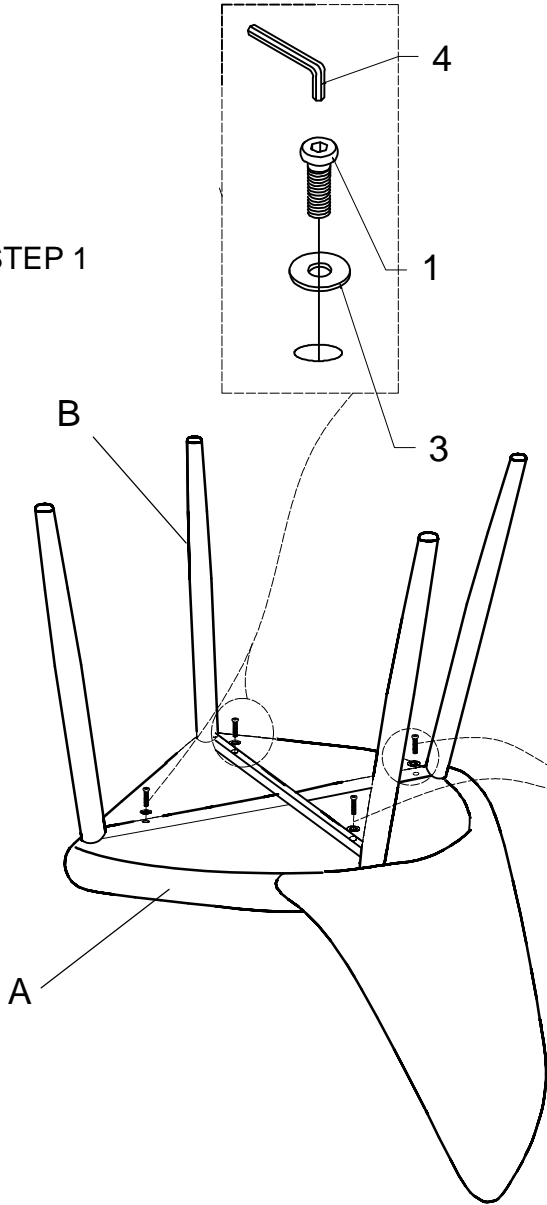
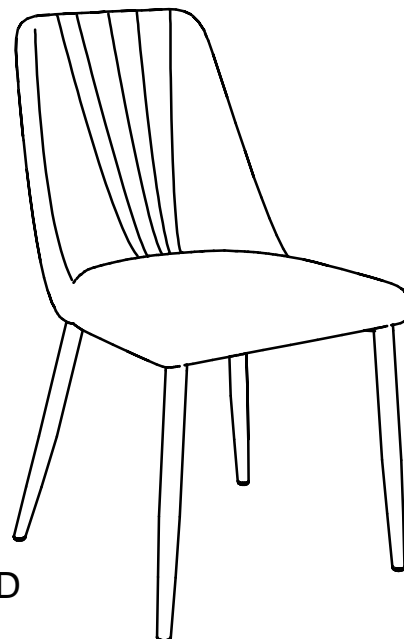
THANK YOU FOR PURCHASING THIS QUALITY PRODUCT.
 BE SURE TO CHECK ALL PACKING MATERIAL CAREFULLY FOR SMALL PARTS THAT MAY HAVE COME LOOSE
 INSIDE THE CARTON DURING TRANSIT.

PART LIST

NO	DESC	SIZE (MM)	SKETCH	QTY
A	Bucket	1400*800*10		1PCS
B	Base	745*50*50		1PCS

HARDWARE LIST

NO	DESC	SIZE (MM)	SKETCH	QTY
1	SCREW	M6*50		2 PCS
2	SCREW	M6*55		2 PCS
3	WASHER	Ø18		4 PCS
4	ALLEN KEY	5MM		1 PCS

STEP 1

STEP 2

FINISHED
MADE IN CHINA