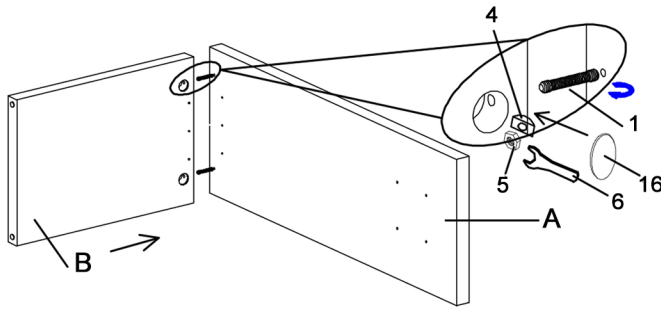
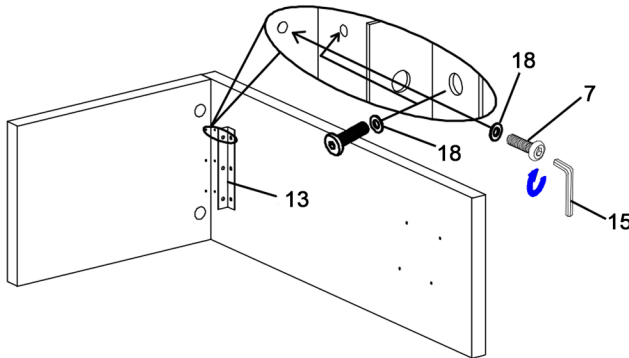


THANK YOU FOR PURCHASING THIS QUALITY PRODUCT.
 BE SURE TO CHECK ALL PACKING MATERIAL CAREFULLY FOR SMALL PARTS THAT MAY HAVE COME LOOSE INSIDE THE CARTON DURING SHIPMENT.

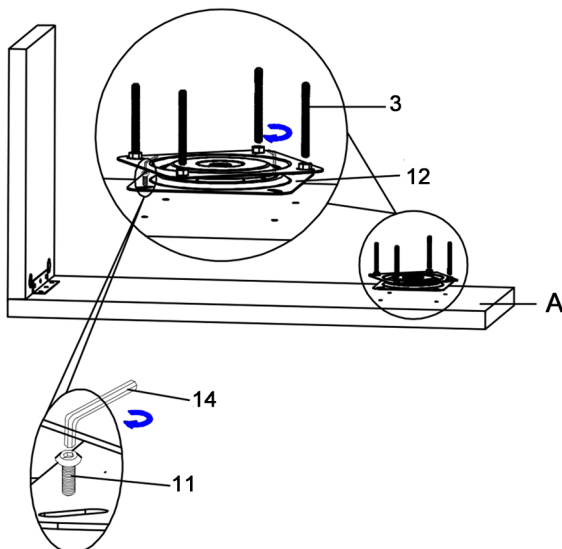
STEP 1:
 Revolve (1) to (A), insert (B) to (A), fasten them with (4), (5) by (6), then cover the hole by (16).



STEP 2:
 Fasten (13) to (A) and (B) with (7), with (7), by (15).



STEP 3:
 Revolve (3) into (12), then fasten (12) to (A) and (K) by (14).



PART LIST

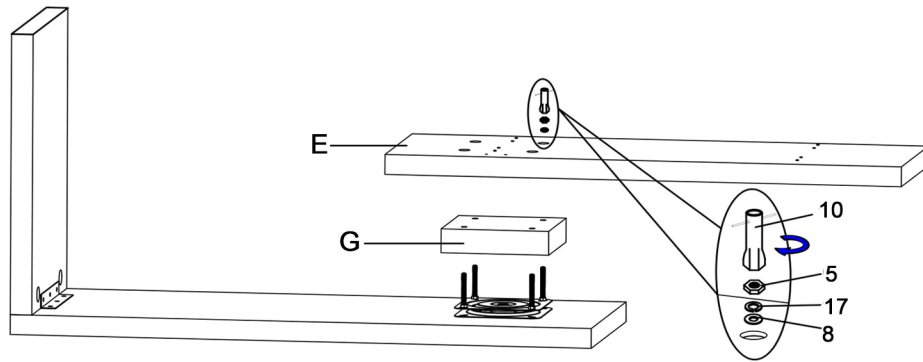
NO	DECS	SIZE (MM)	SKETCH	QTY
A	TOP	1350*500*50		1PC
B	SIDE PANEL	705*500*50		1PC
C	SHELF BOARD-1	1200*390*50		1PC
D	SHELF BOARD-2	1200*390*50		1PC
E	SHELF BOARD-3	1200*390*50		1PC
F	UPRIGHT BOARD	290*246*50		4PCS
G	SEPARATE BOARD	250*250*60		1PC

HARDWARE LIST

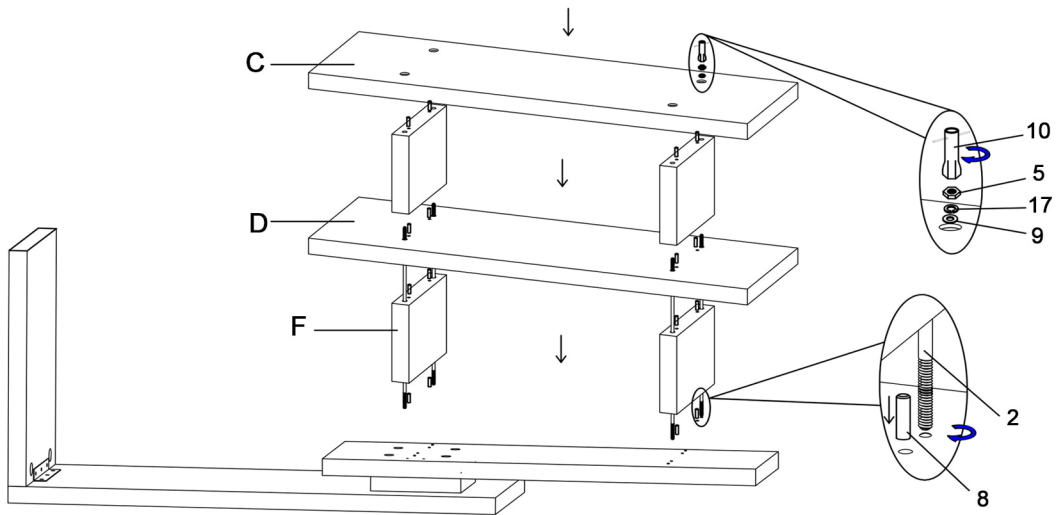
NO	DECS	SIZE (MM)	SKETCH	QTY
1	LONG BOLT-1	M8*70		2PCS
2	LONG BOLT-2	M8*615		4PCS
3	LONG BOLT-3	M8*100		4PCS
4	NUT-1			2PCS
5	NUT-2	M8		10PCS
6	WRENCH	14#		1PC
7	SCREW-1	M6*20		6PCS
8	WOODEN TENON	Φ8*30		19PCS
9	FLAT WASHER	Φ22*Φ10		8PCS
10	HEXAGON SOCKET	14#		1PC
11	SCREW-2	M8*16		4PCS
12	SWIVEL			1PC
13	METAL BAR	35*35*250*2.5		1PC
14	ALLEN KEY-1	5#		1PC
15	ALLEN KEY-2	4#		1PC
16	STICKER			2PCS
17	SPRING WASHER			8PCS
18	FLAT WASHER	M6*Φ16		6PCS



STEP 4



STEP 5



FINISHED

