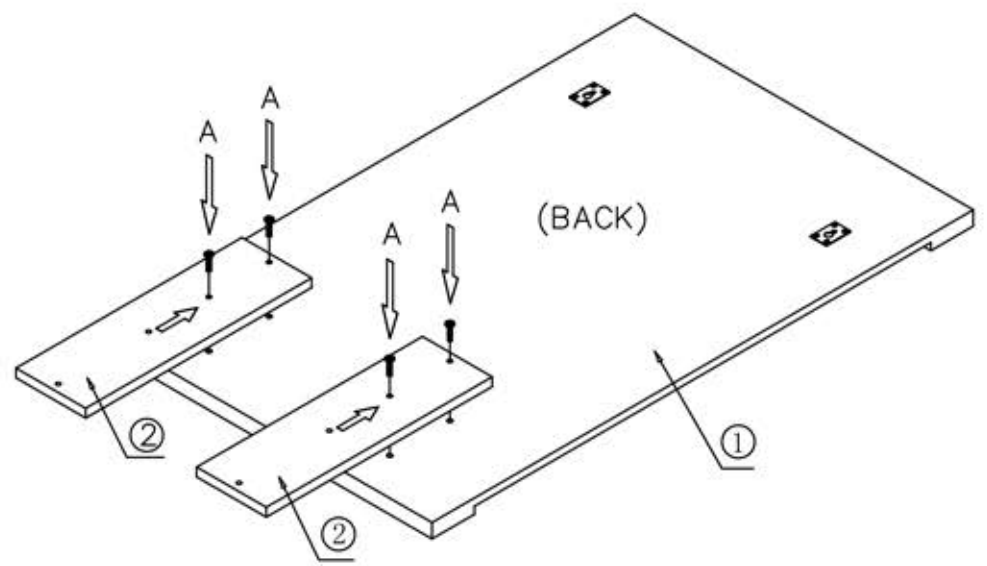


STEP1

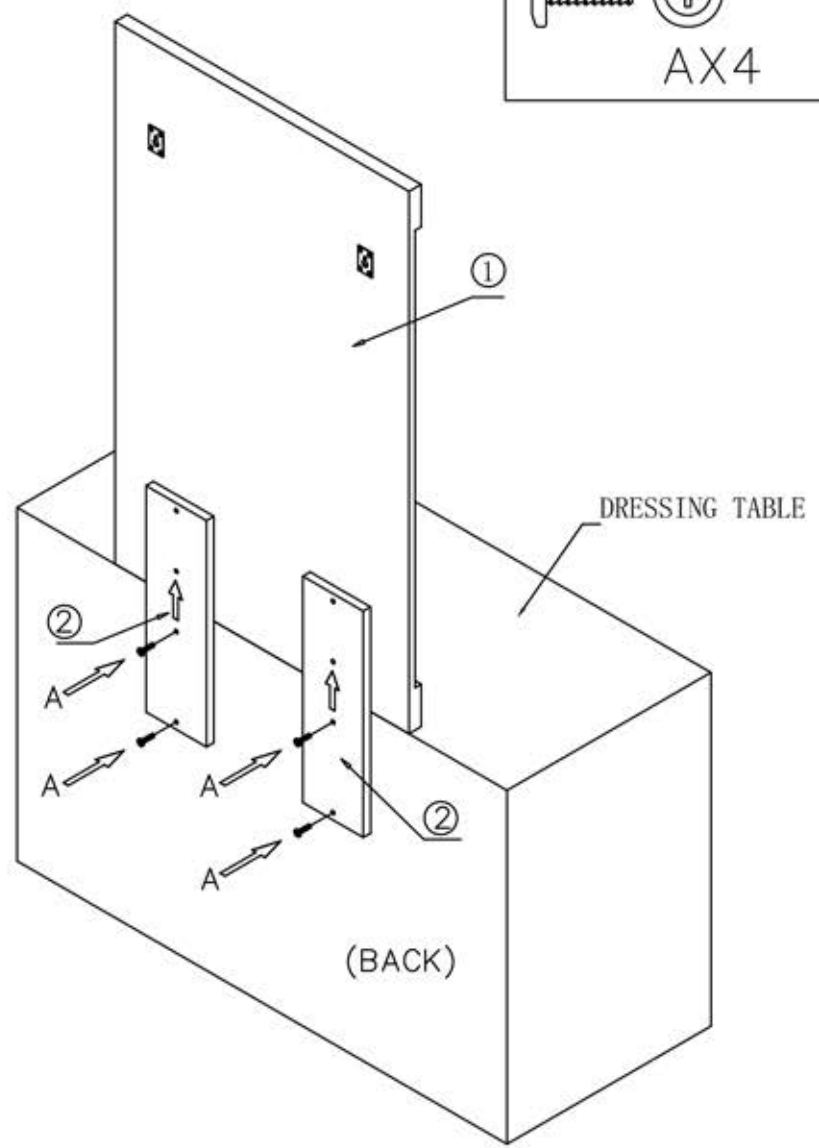


(METHOD 1)



!
 • Please use a soft mat to avoid damaging during assembly

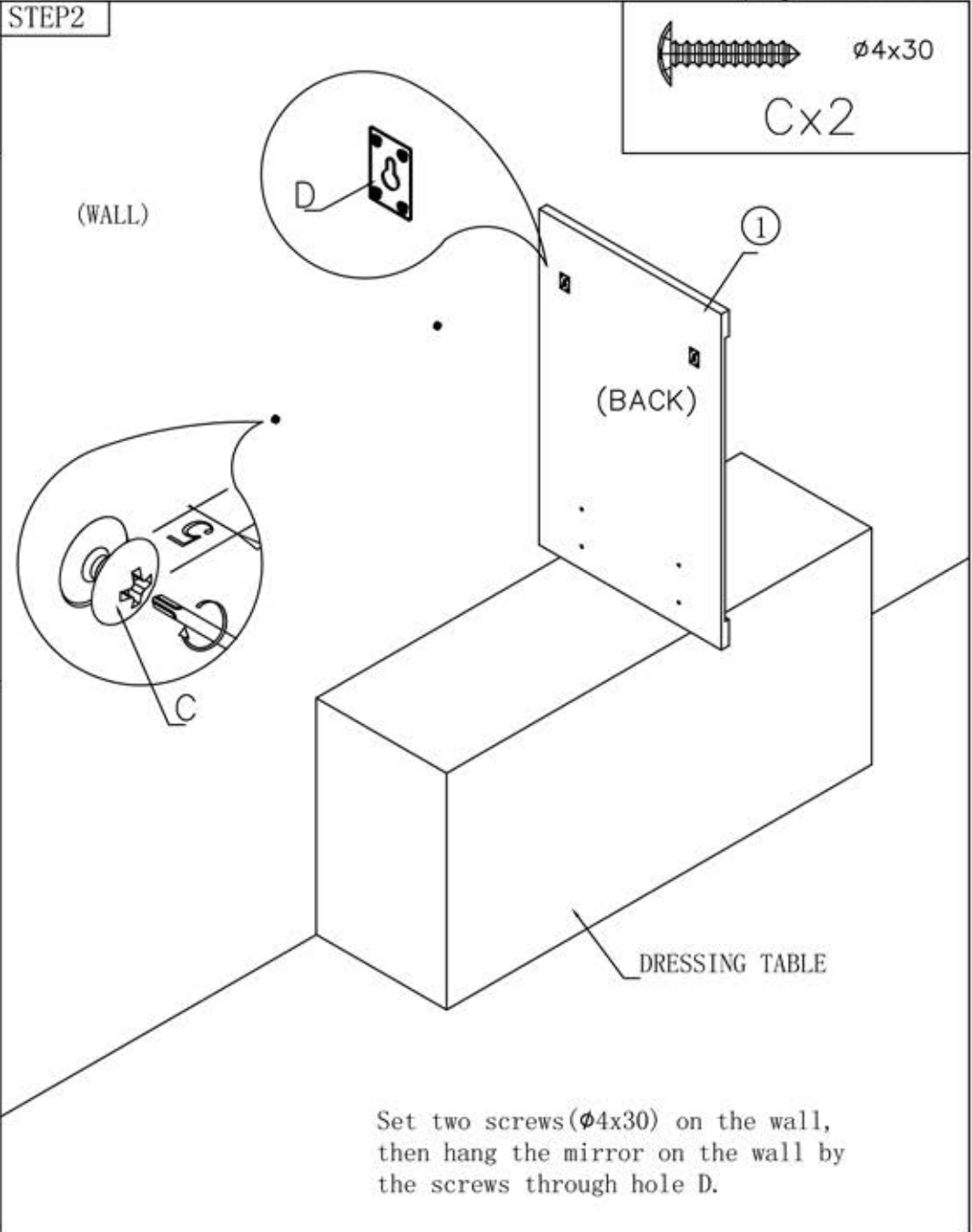
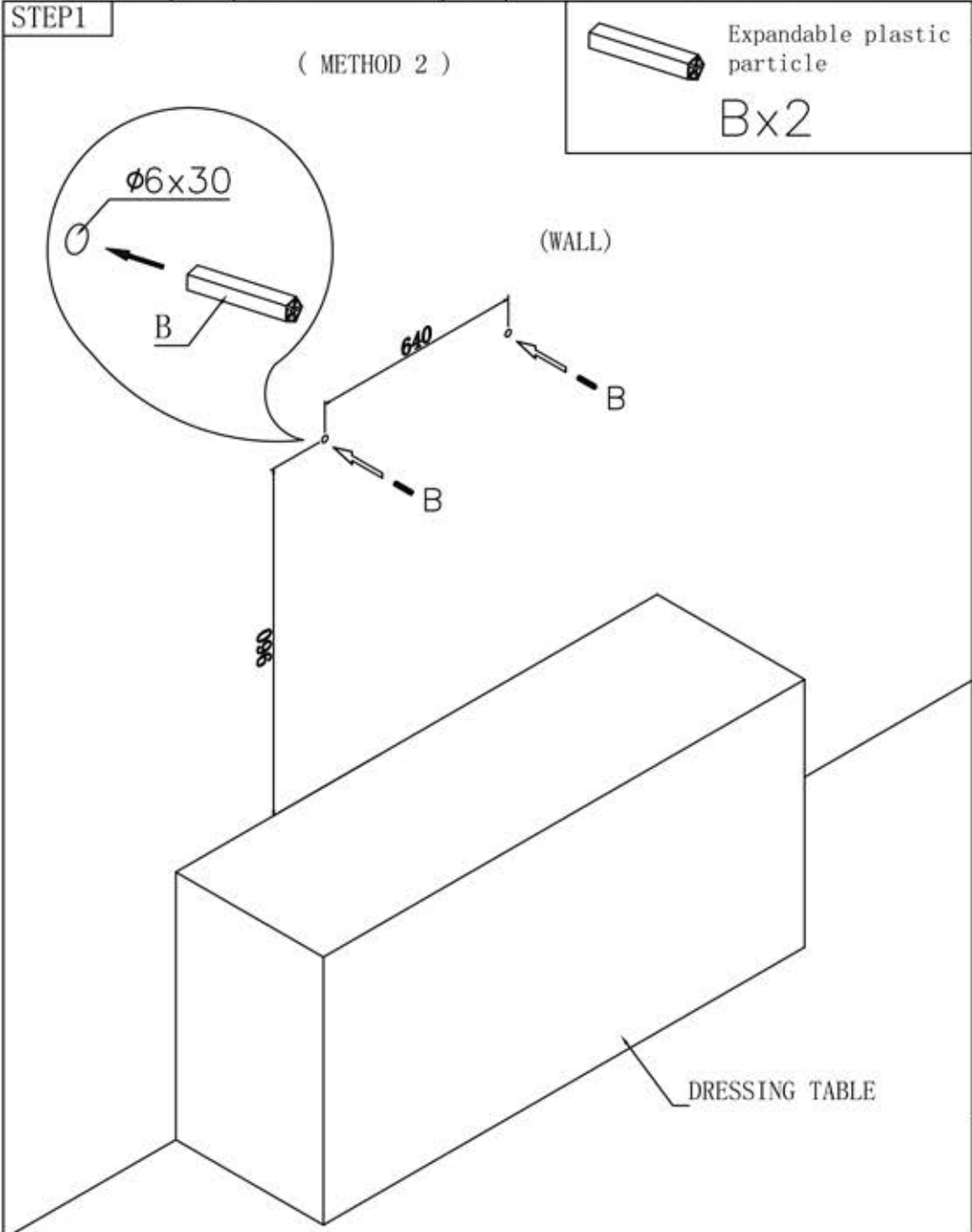
STEP2







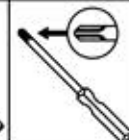


No	Part	Qty
1	Dressing Mirror	1
2	Supporting Board	2

No	Part	Qty
A	Screw M6X30	8

10min



No	Part	Qty	No	Part	Qty	No	Part	Qty					
1	Mirror Panel	1	B	 Expandable plastic particle	2	C	 Screw φ4x30	2					
									10min				