

No	Part	Qty
1	Headboard	1
2	Right Bedside	1
3	Left Bedside	1
4	Foot Board	1
5	Sprung Base	1
6	Metal Legs	4
7	Angle Iron	2
8	Drawer front panel	1
9	Drawer side panel	2
10	Drawer back panel	1
11	Drawer bottom panel	1
12	Shelf support	2

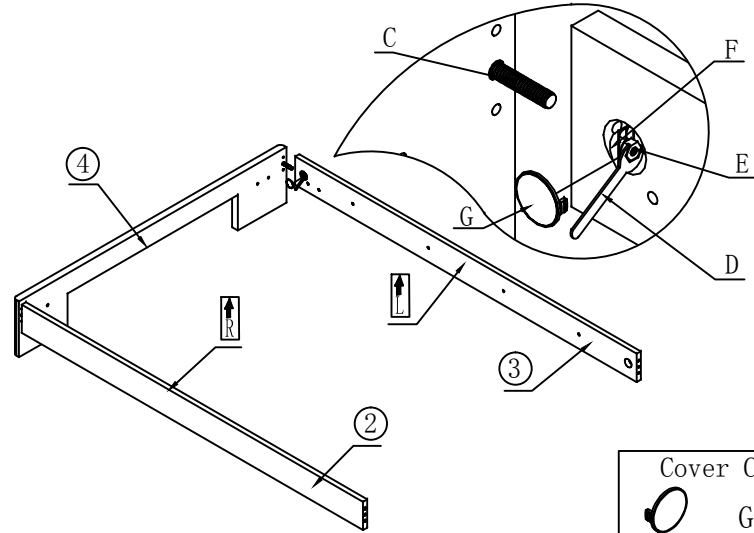
HARDWARE FOR BED		
No	Part	Qty
A	Threaded Bolt M8x70	2
B	Spanner (5mm)	1
C	Threaded Bolt M8x65	2
D	Spanner M8/13mm	1
E	Nut M8	4
F	Maxiluna Washer $\phi 40 \times 15$	4
G	Cover Cap $\phi 40$	4
H	Screw M6x45	8
I	Gasket M8	2
J	Gasket M6	8
K	M6x18	8
N	Quickfit ( $\phi 5 \times 33$ )	8
M	Cam $\phi 15 \times 12$	8
O	Screw $\phi 4 \times 35$	16
P	Foot wheel	4
Q	Screw $\phi 4 \times 12$	8
R	Screw M6x30	2
S	Steel connectors	1
T	Wooden tenon $\phi 8 \times 30$	4

HARDWARE FOR BEDFRAME		
No	Part	Qty
E	Nut M8	11
I	Gasket M8	22
L	Screw M8x45	8
M	Screw M8x70	3

- Please check contents and read instructions before commencing assembly.
- Please use a soft mat to avoid damaging during assembly
- Assemble this article following the enclosed instructions carefully.

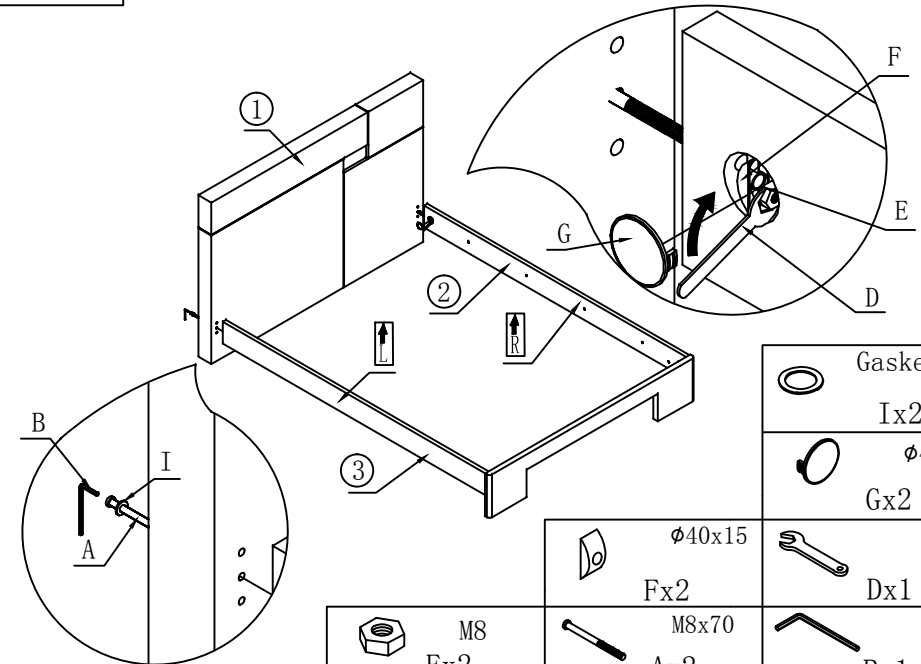
	30min		X1

STEP 1



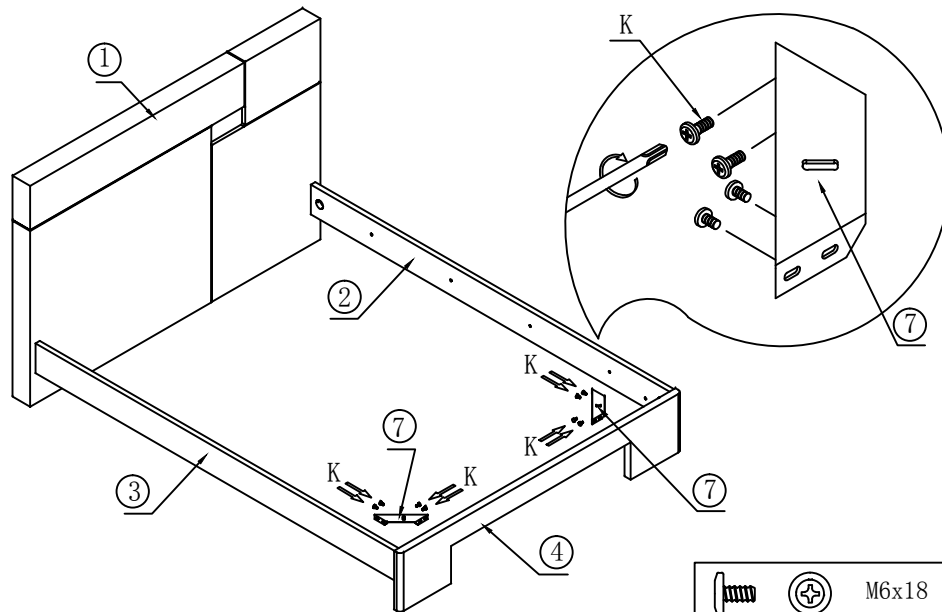
	Cover Cap $\phi 40$		Gasket M8
	Gx2		Nut M8
	$\phi 40 \times 15$		$\phi 40$
	Fx2		Gx2
	M8x65		M8 / 13mm
	Cx2		Dx1

STEP 2



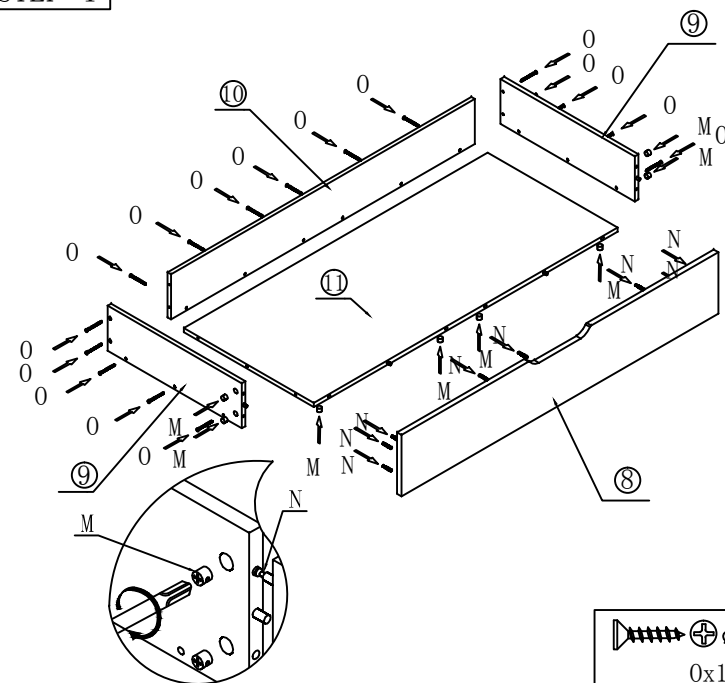
	$\phi 40 \times 15$		$\phi 40$		Gasket M8
	Fx2		Gx2		Nut M8
	$\phi 40 \times 15$		$\phi 40$		$\phi 40$
	Fx2		Gx2		Gx2
	M8		M8x70		M8 / 13mm
	Ex2		Ax2		Dx1
					Bx1

STEP 3



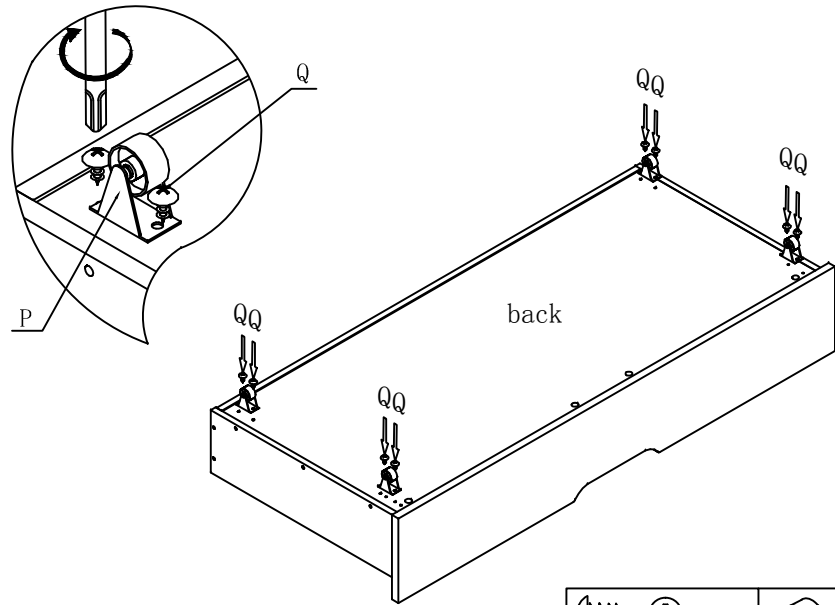
		M6x18
		Kx8

STEP 4



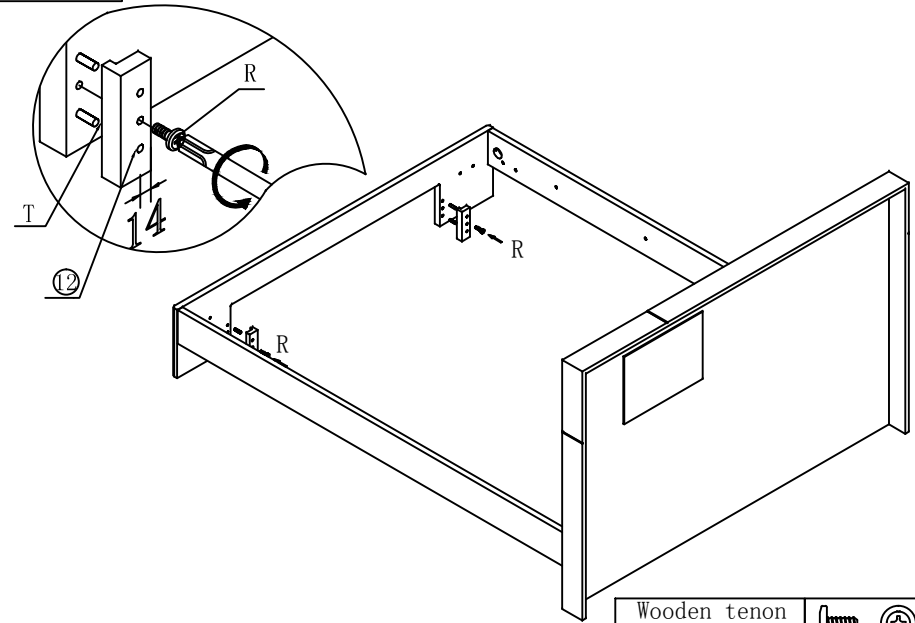
		$\phi 5 \times 33$		$\phi 15 \times 12$
		Nx8		Mx8
		$\phi 4 \times 35$		$\phi 15 \times 12$
		Ox16		Mx8

STEP 5



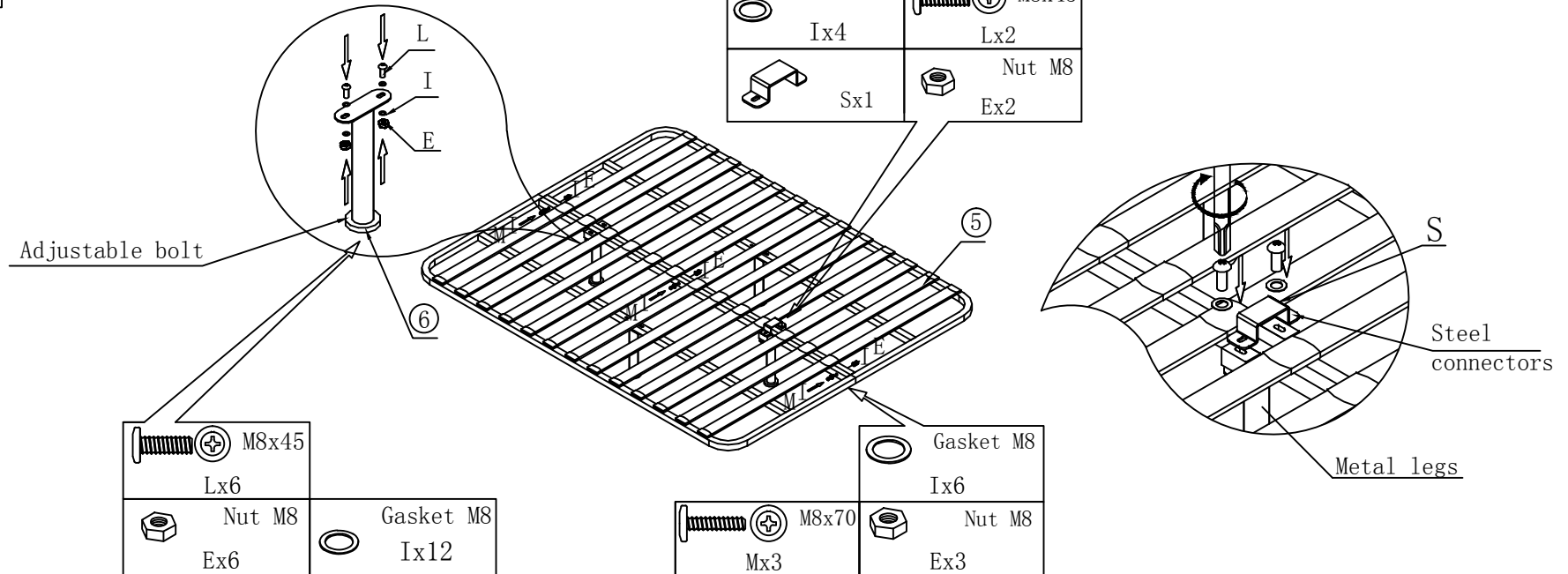
- |  |                                     |  |            |
|--|-------------------------------------|--|------------|
|  | $\odot$ $\oplus$ $\phi 4 \times 12$ |  | Foot wheel |
|  | Qx8                                 |  | Px4        |

STEP 6



- |                    |                    |  |                        |
|--------------------|--------------------|--|------------------------|
|                    | Wooden tenon       |  | $\odot$ $\oplus$ M6x30 |
| $\phi 8 \times 30$ | $\phi 8 \times 30$ |  | Rx2                    |
| Tx4                |                    |  |                        |

STEP 7

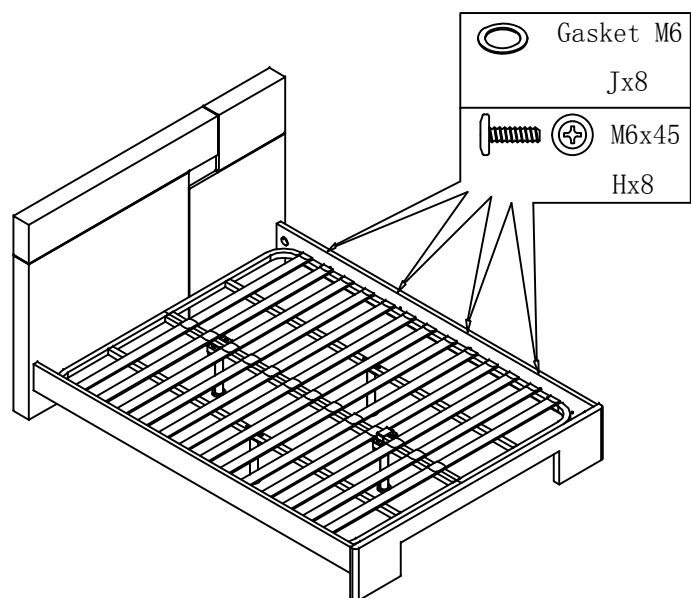


- |     |           |     |        |
|-----|-----------|-----|--------|
|     | Gasket M8 |     | M8x45  |
| Ix4 |           | Lx2 |        |
|     | Sx1       |     | Nut M8 |
|     |           | Ex2 |        |

- |     |        |      |           |
|-----|--------|------|-----------|
|     | M8x45  |      | Gasket M8 |
| Lx6 |        | Ix12 |           |
|     | Nut M8 |      |           |
| Ex6 |        |      |           |

- |     |       |     |        |
|-----|-------|-----|--------|
|     | M8x70 |     | Nut M8 |
| Mx3 |       | Ex3 |        |

STEP 8



STEP 9

