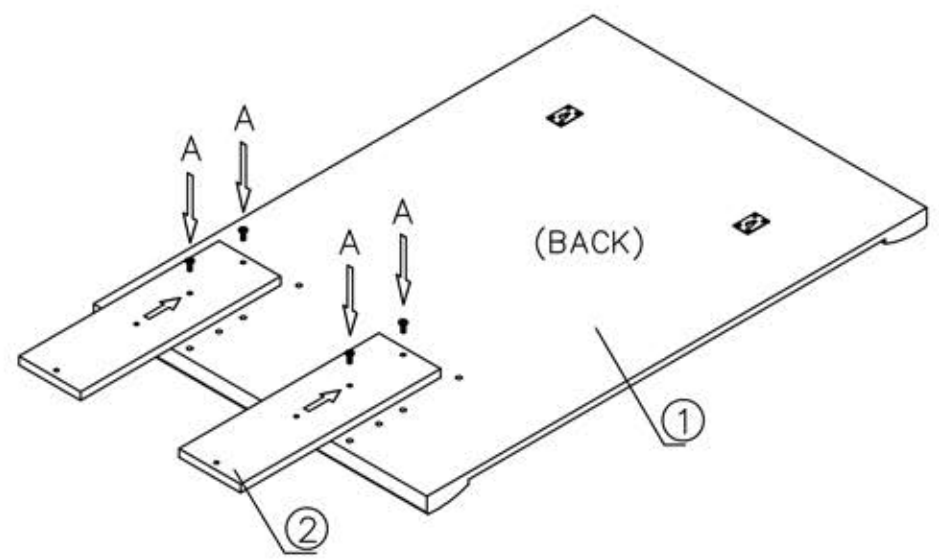


STEP1

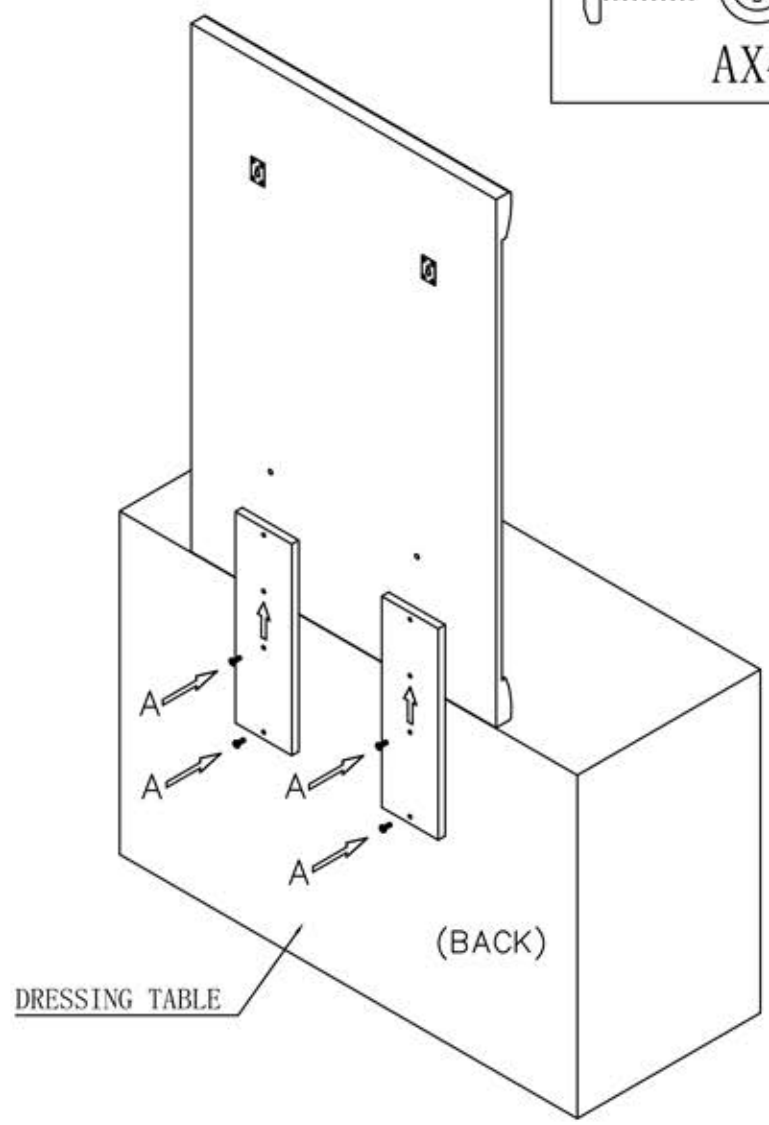


(METHOD 1)

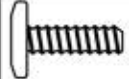


!
 • Please use a soft mat to avoid damaging during assembly

STEP2




No	Part	Qty
1	Mirror Panel	1
2	Supporting Board	2

No	Part	Qty
A	 Screw M6X30	8

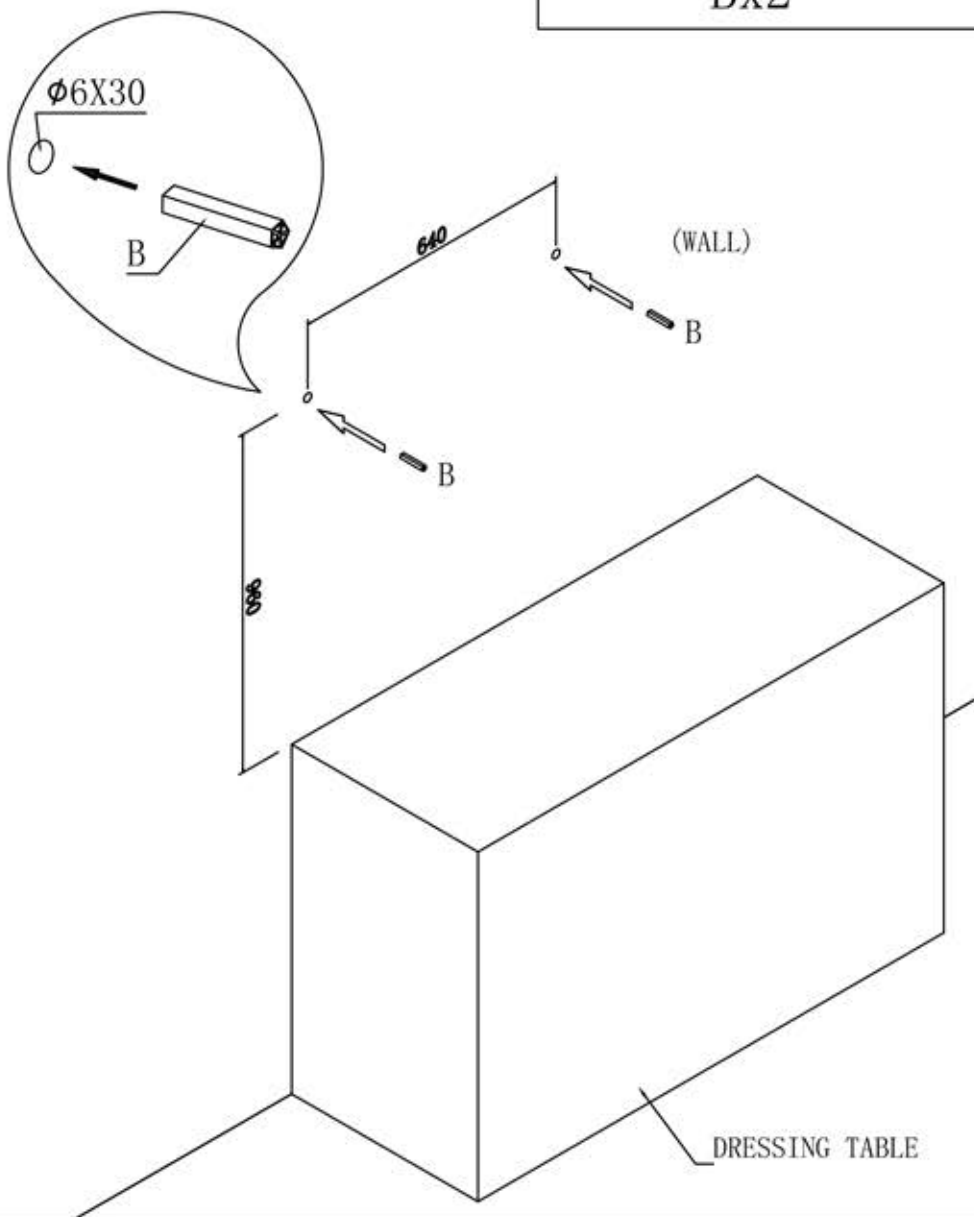
10min

STEP1


(METHOD 2)



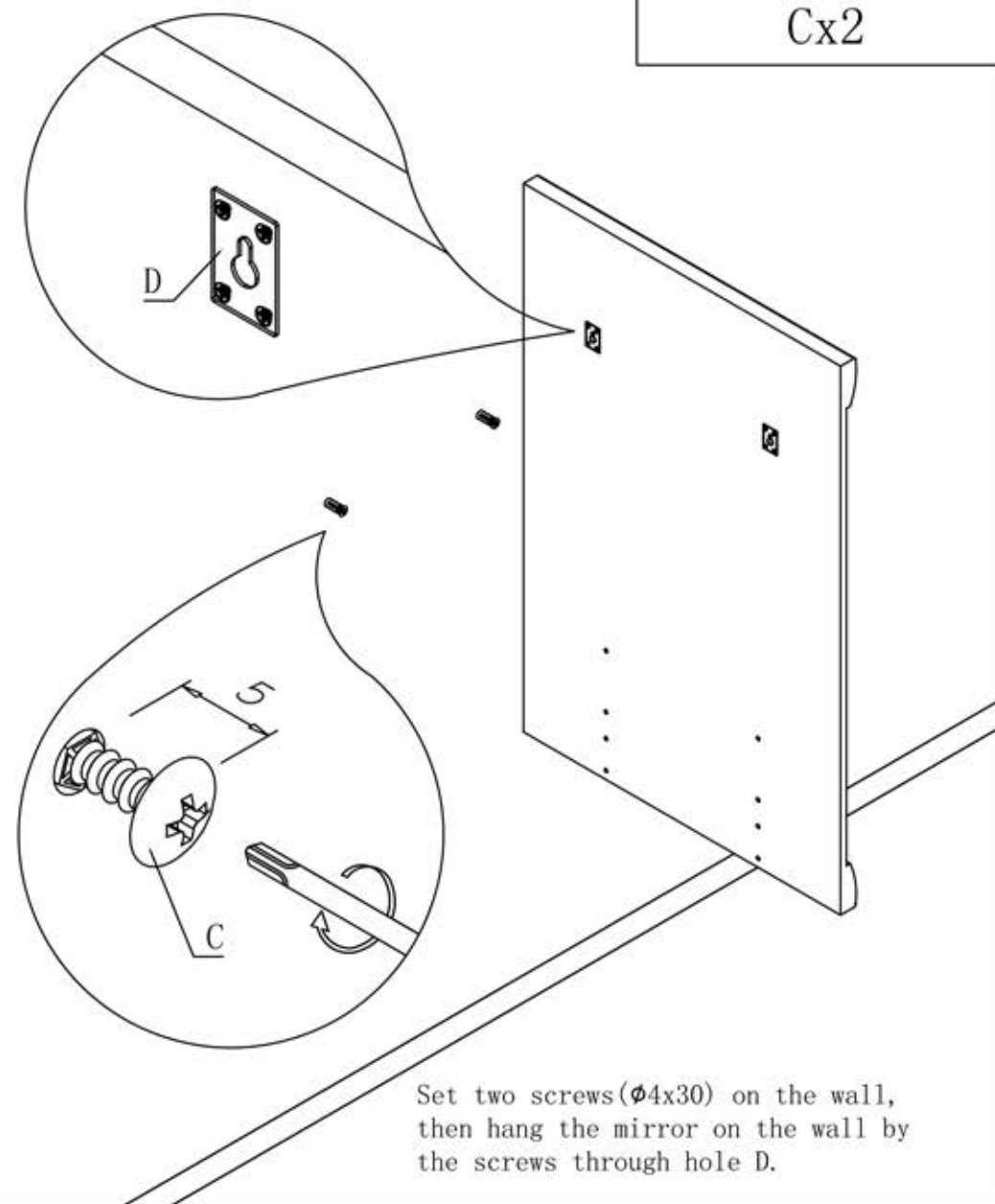
Expandable plastic particle
Bx2






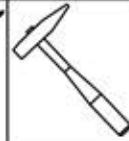
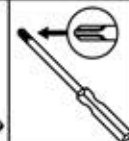


STEP2



$\phi 4 \times 30$
Cx2



Set two screws ($\phi 4 \times 30$) on the wall, then hang the mirror on the wall by the screws through hole D.

No	Part	Qty	No	Part	Qty	No	Part	Qty	  10min   				
1	Mirror Panel	1	B	 Expandable plastic particle	2	C	 Screw $\phi 4 \times 30$	2					