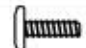


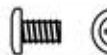







No	Part	Qty
1	Headboard	1
2	Right Bedside	1
3	Footboard	1
4	Sprung Base	1
5	Wood Legs	2
6	Metal legs	4
7	Angle Iron	2
8	Left Bedside	1






HARDWARE FOR BED		
No	Part	Qty
A	 Threaded Bolt M8x65	4
B	 Maxiluna Washer $\phi 40 \times 15$	8
C	 Nut M8	10
D	 Cover Cap $\phi 40$	8
E	 Spanner M8/13mm	1
F	 Screw M6x45	8
G	 Screw M6x18	8
H	 Gasket M8	6
I	 Gasket M6	8
J	 Threaded Bolt M8x140	4
K	 Spanner (6mm)	1

HARDWARE FOR BEDFRAME		
No	Part	Qty
C	 Nut M8	8
H	 Gasket M8	16
L	 Screw M8x20	4
M	 Screw M8x45	4


- Please check contents and read instructions before commencing assembly.
- Please use a soft mat to avoid damaging during assembly
- Assemble this article following the enclosed instructions carefully.

	 30min		 X1
---	---	---	--



**STEP1**

	M8x65
	Ax4
	Nut M8
	Cx4
	Ø40x15
	Bx4
	Ø40
	Dx4
	M8 / 13mm
	Ex1






**STEP2**

	M6x18
	Gx8

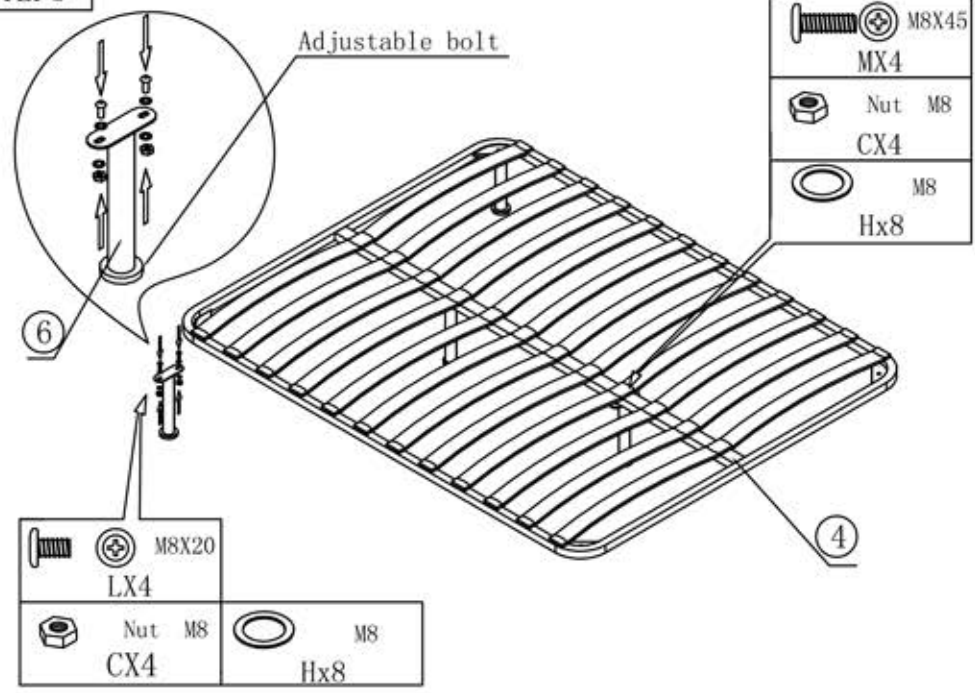
**STEP3**

	Nut M8
	Cx2
	M8
	Hx2

**STEP4**

	Nut M8
	Cx4
	Ø40x15
	Bx4
	Ø40
	Dx4
	M8x140
	Jx4
	Kx1

STEP5



STEP6

