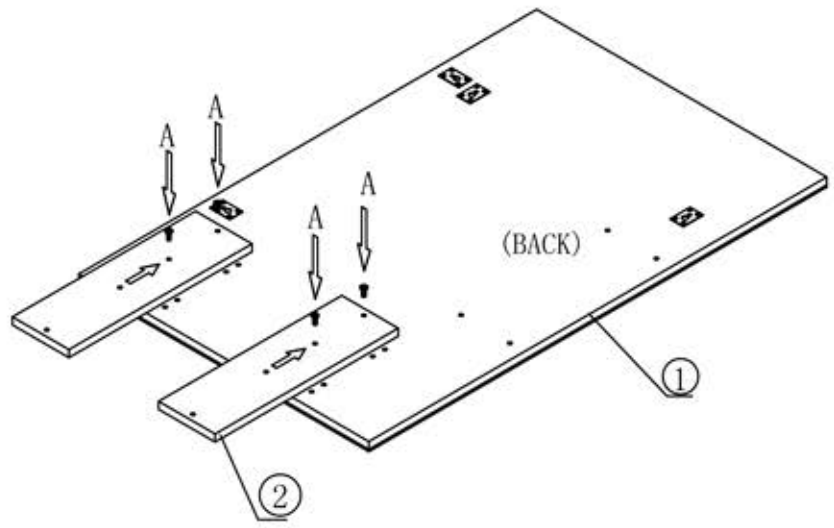


STEP1

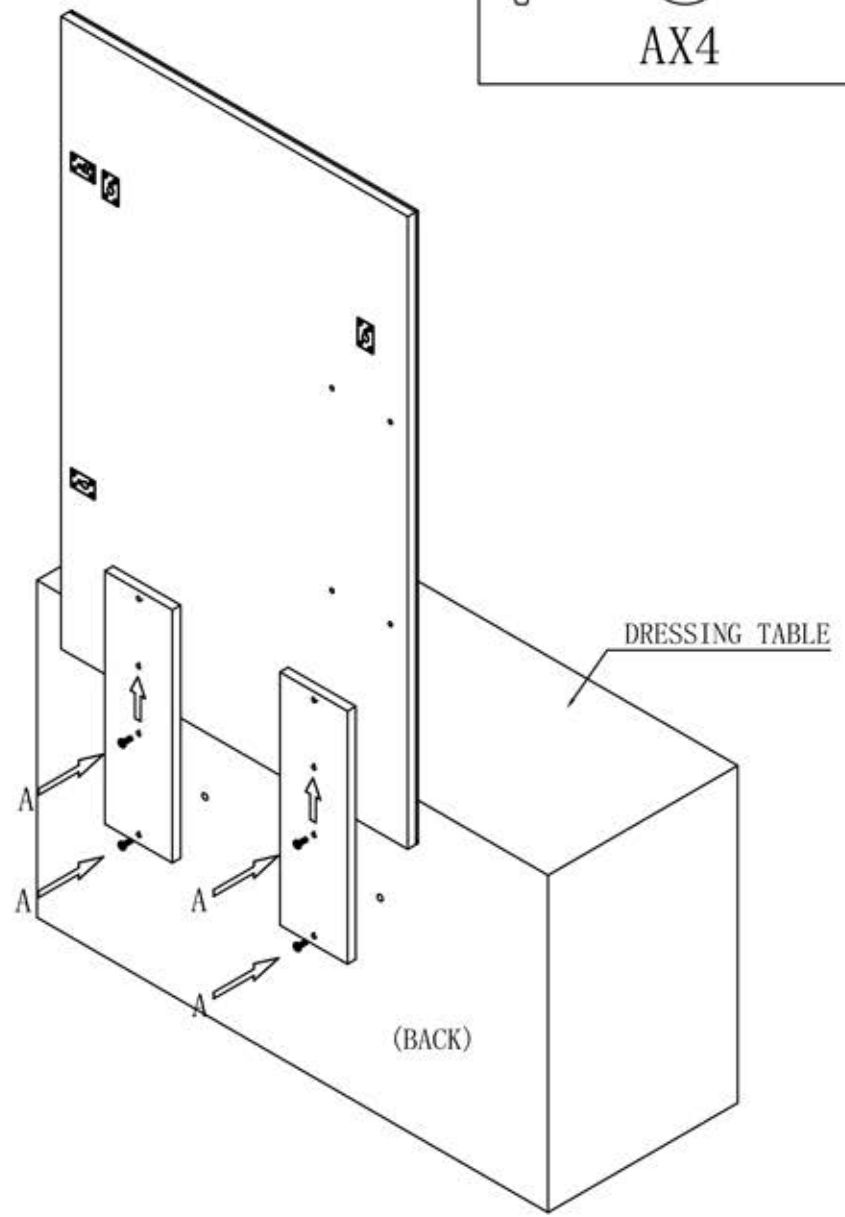


( METHOD 1 )



**!**  
Please use a soft mat to avoid damaging during assembly

STEP2



No	Part	Qty
1	Mirror Panel	1
2	Supporting Board	2

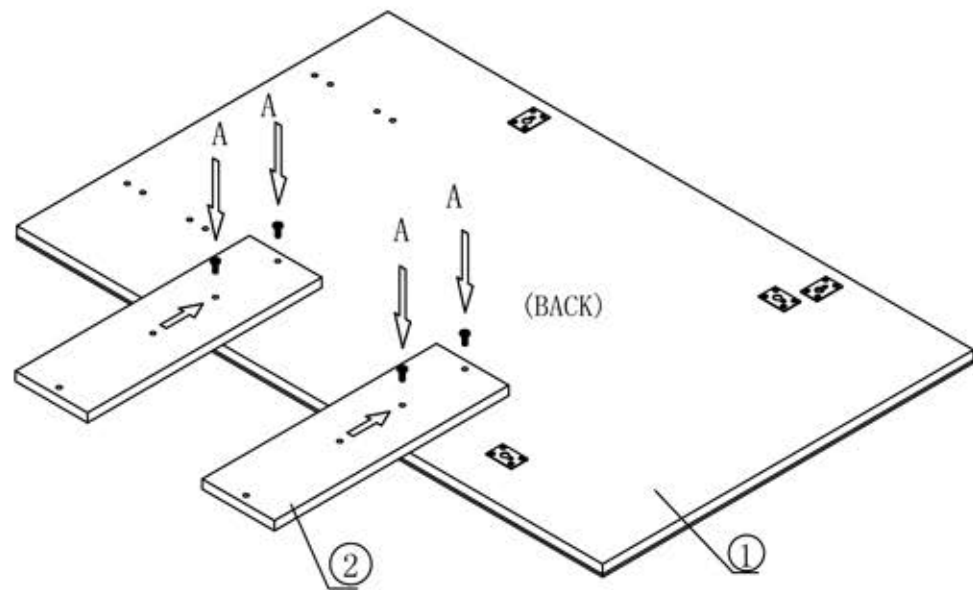
No	Part	Qty
A	Screw M6X30	8

10min

STEP1

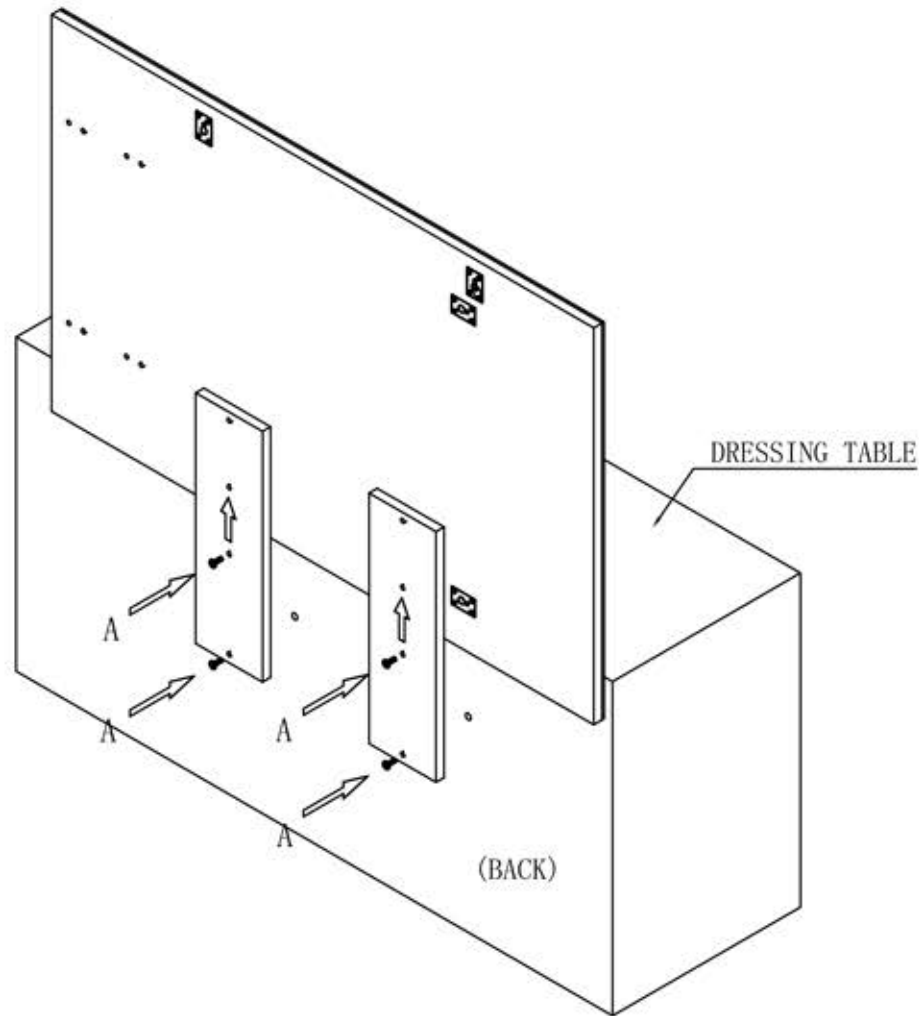


( METHOD 2 )



**!**  
• Please use a soft mat to avoid damaging during assembly

STEP2



No	Part	Qty
1	Mirror Panel	1
2	Supporting Board	2

No	Part	Qty
A	Screw M6X30	8

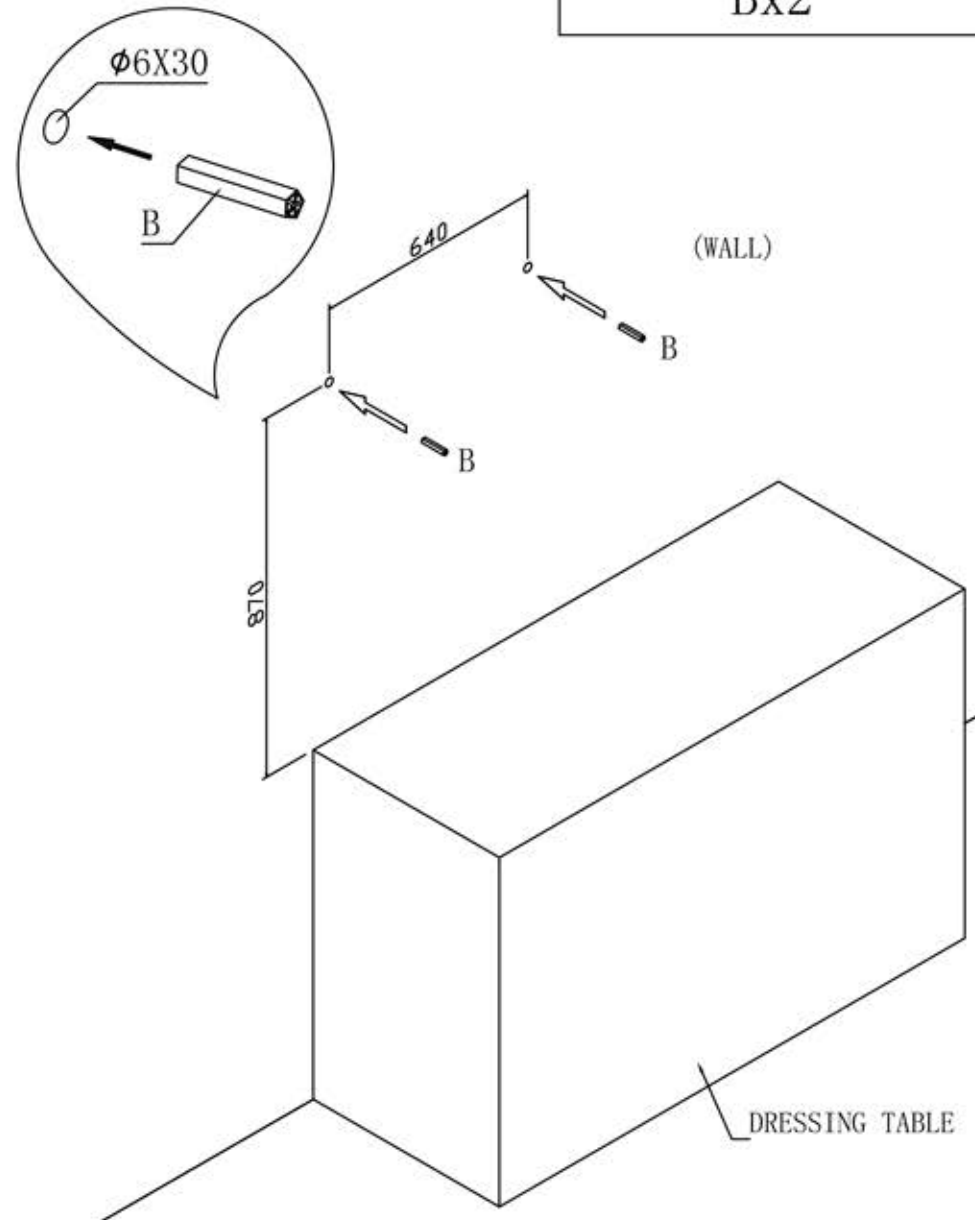
10min

STEP1


( METHOD 3 )



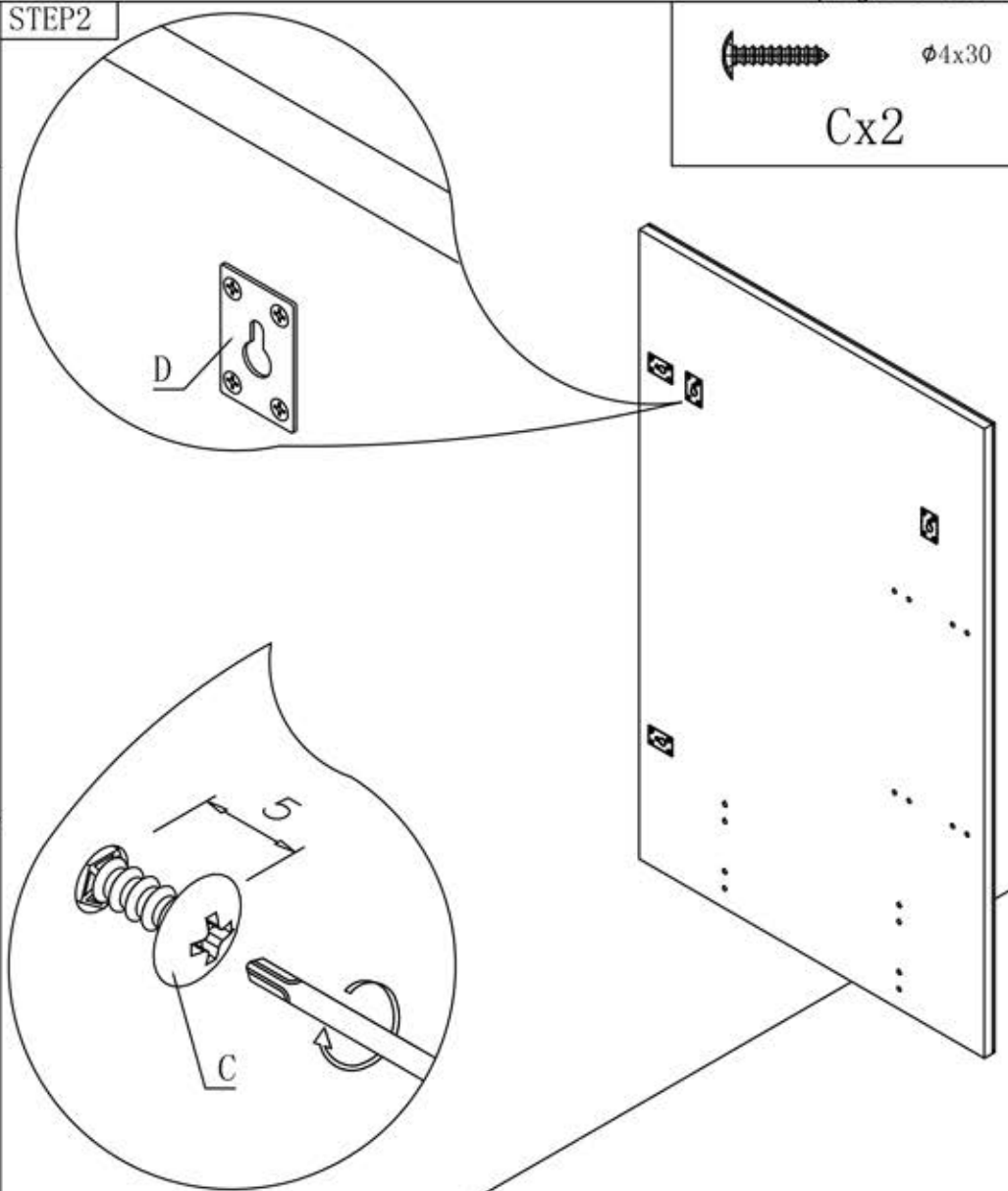
Expandable plastic particle  
Bx2







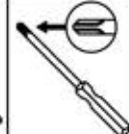


STEP2



$\phi 4 \times 30$   
Cx2



Set two screws( $\phi 4 \times 30$ ) on the wall, then hang the mirror on the wall by the screws through hole D.

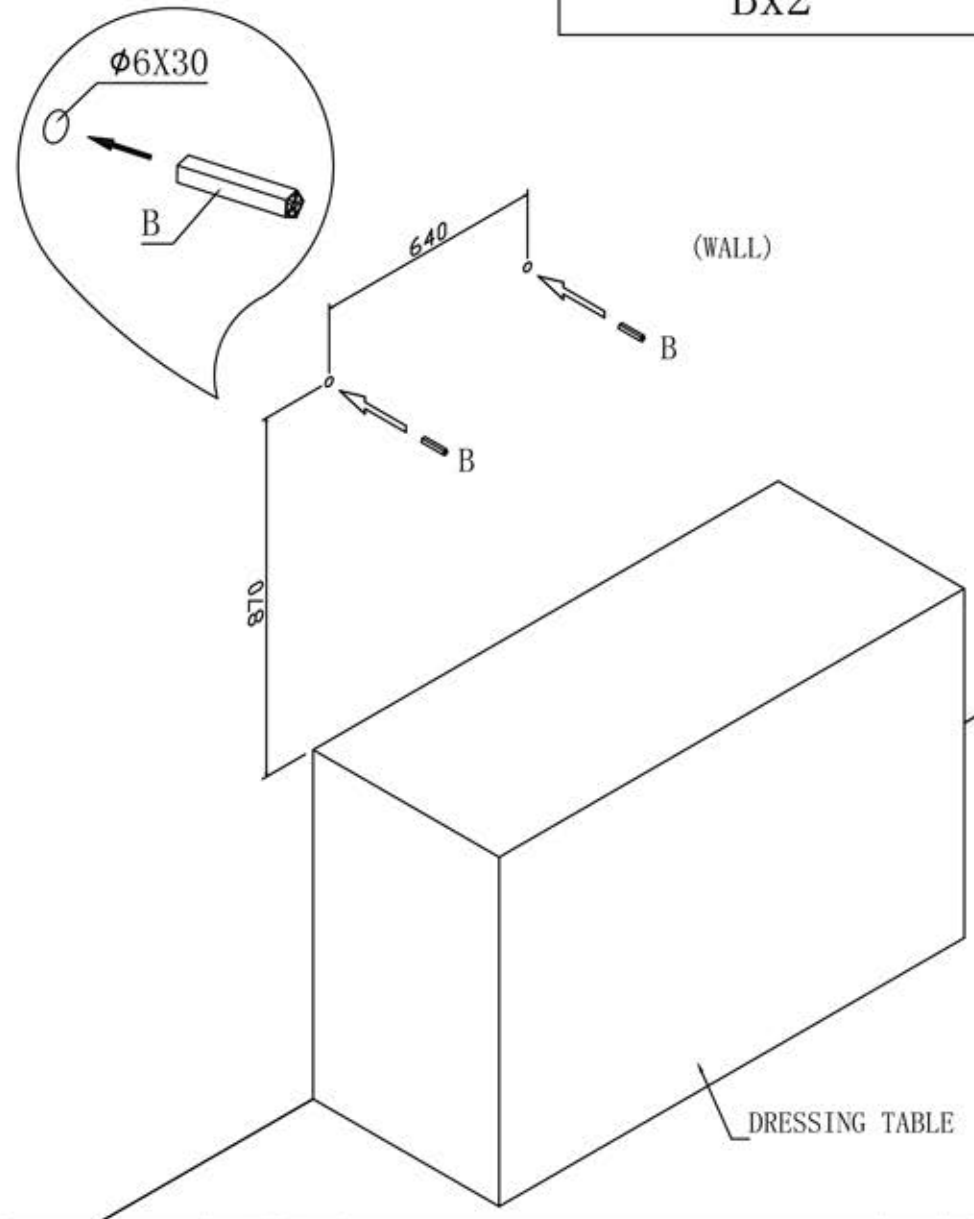
No	Part	Qty	No	Part	Qty	No	Part	Qty	  10min   				
1	Mirror Panel	1	B	 Expandable plastic particle	2	C	 Screw $\phi 4 \times 30$	2					

STEP1


( METHOD 4 )



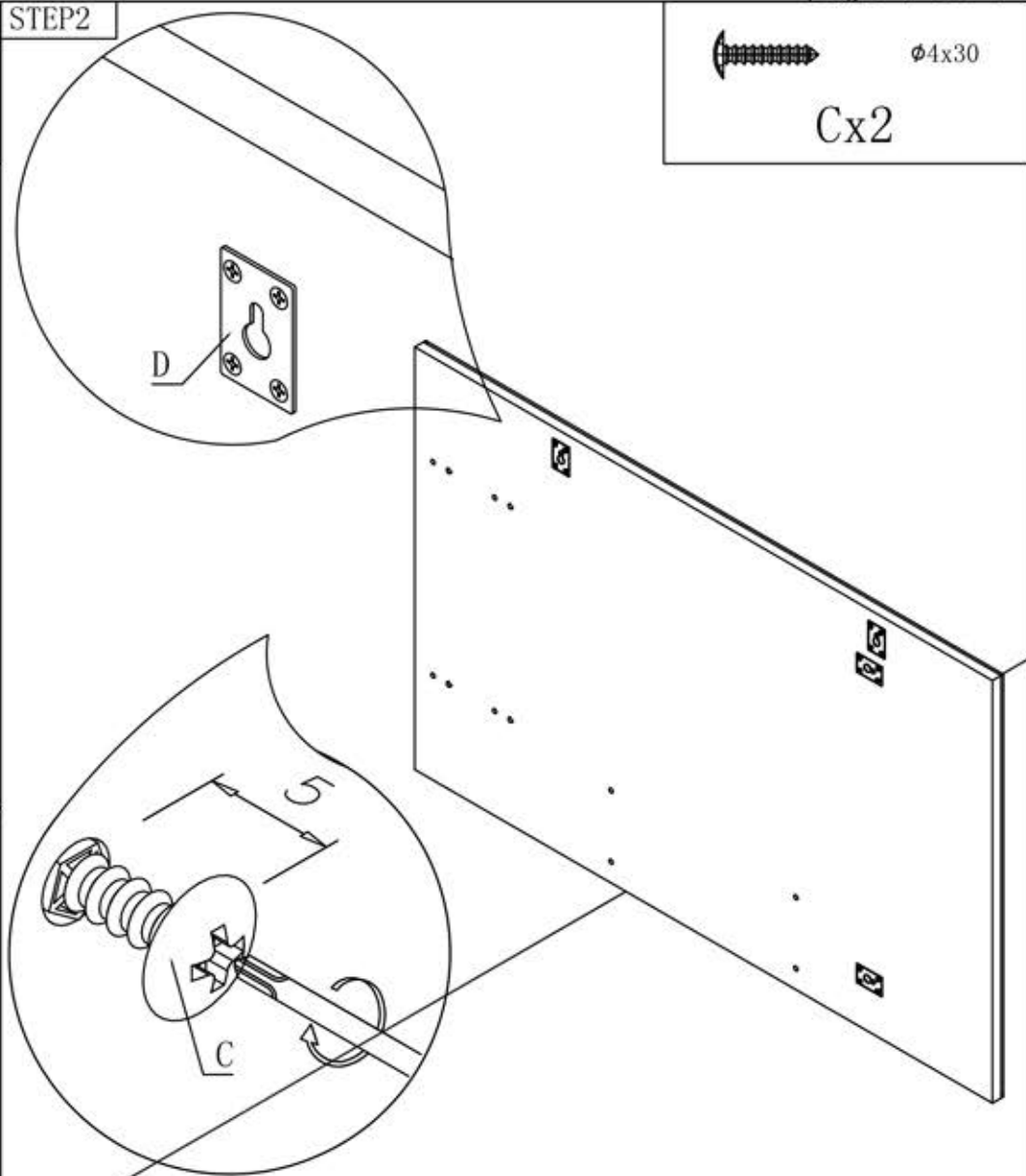
Expandable plastic particle  
Bx2







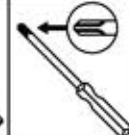


STEP2



$\phi 4 \times 30$   
Cx2



Set two screws( $\phi 4 \times 30$ ) on the wall, then hang the mirror on the wall by the screws through hole D.

No	Part	Qty	No	Part	Qty	No	Part	Qty	  10min   				
1	Mirror Panel	1	B	 Expandable plastic particle	2	C	 Screw $\phi 4 \times 30$	2					