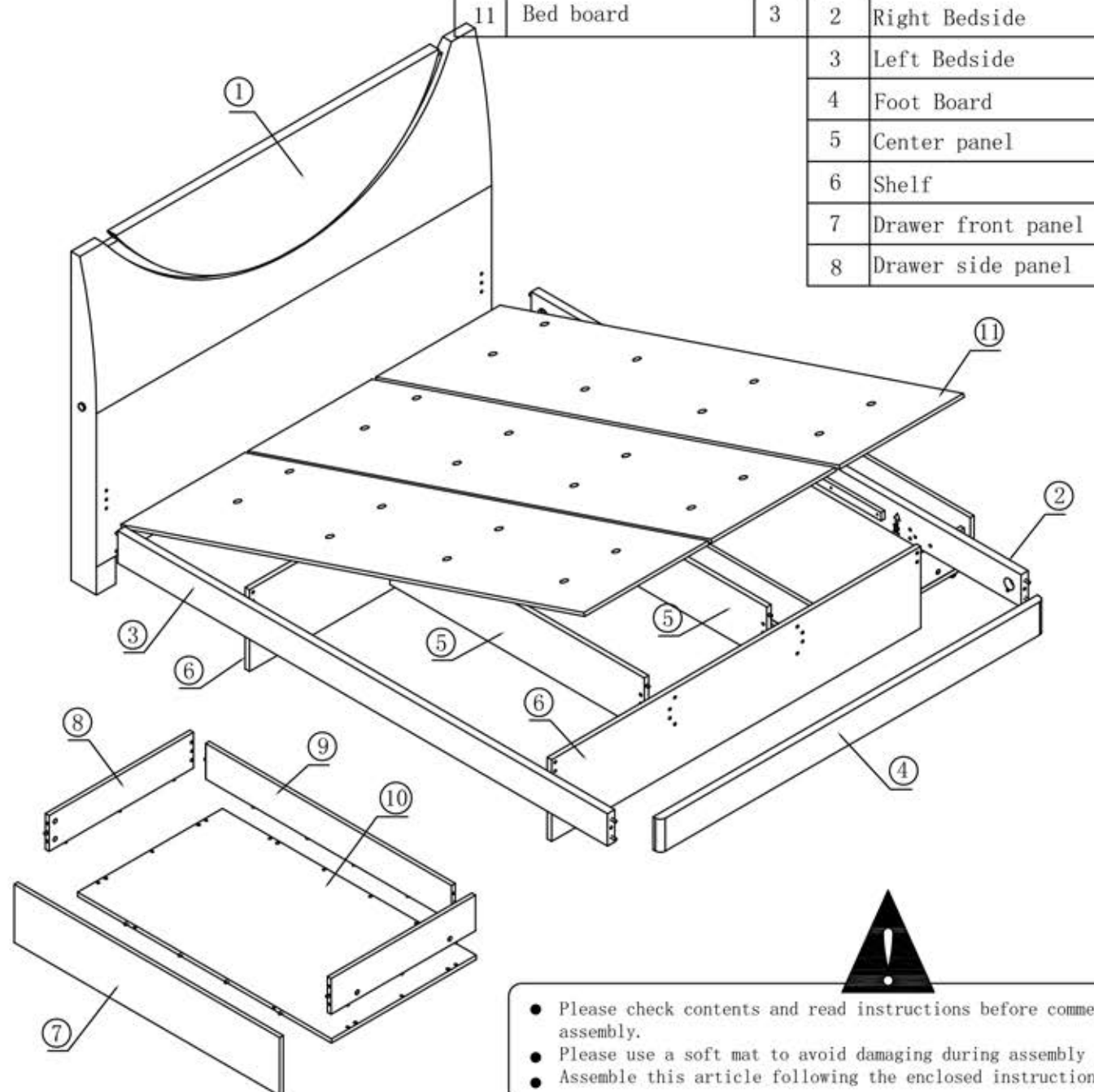


No	Part	Qty
9	Drawer back panel	2
10	Drawer bottom panel	2
11	Bed board	3
1	Head Board	1
2	Right Bedside	1
3	Left Bedside	1
4	Foot Board	1
5	Center panel	2
6	Shelf	2
7	Drawer front panel	2
8	Drawer side panel	4

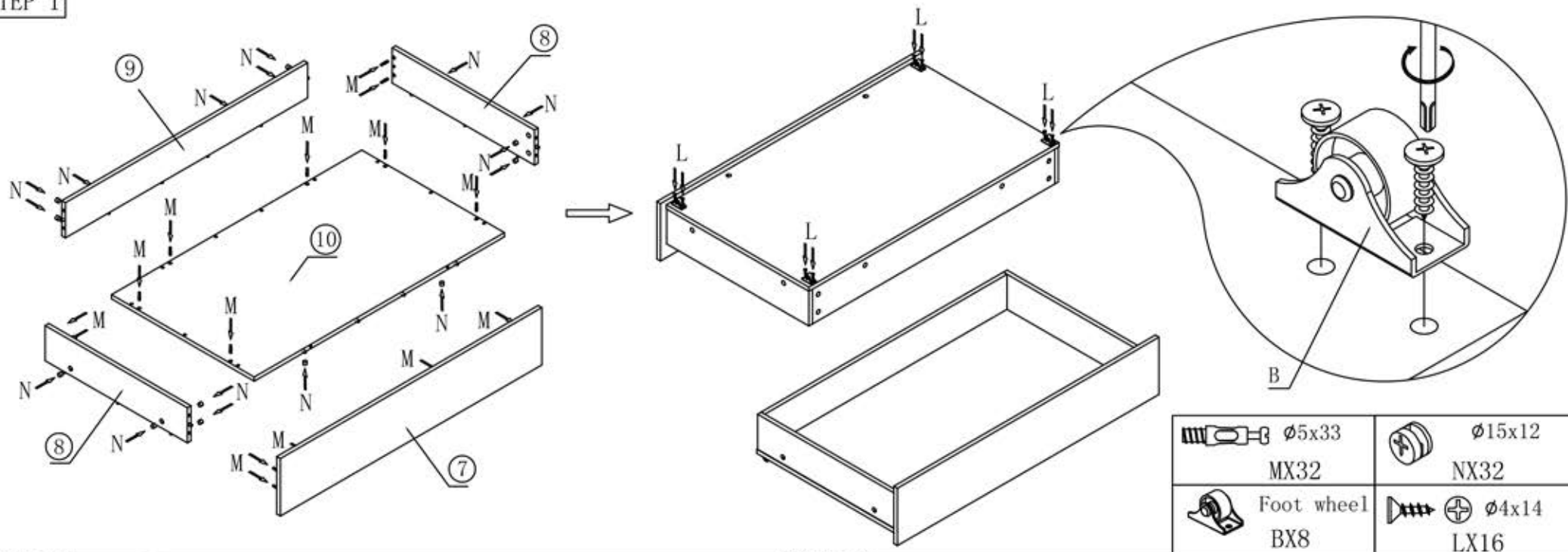


No	Part	Qty
A	Angle iron	8
B	Foot wheel	8
C	Threaded Bolt M8x65	2
D	Threaded Bolt M8x70	2
E	Maxiluna Washer $\phi 40 \times 15$	4
F	Cover Cap $\phi 40$	4
G	Nut M8	4
H	Spanner M8/13mm	1
I	Spanner	1
J	Gasket M8	2
K	Screw M6X15	32
L	Screw $\phi 4 \times 14$	16
M	Quickfit ($\phi 5 \times 33$)	32
N	Cam $\phi 15 \times 12$	32
O	Non-bump plastic $\phi 12 \times 1$	4
P	Junction box	1

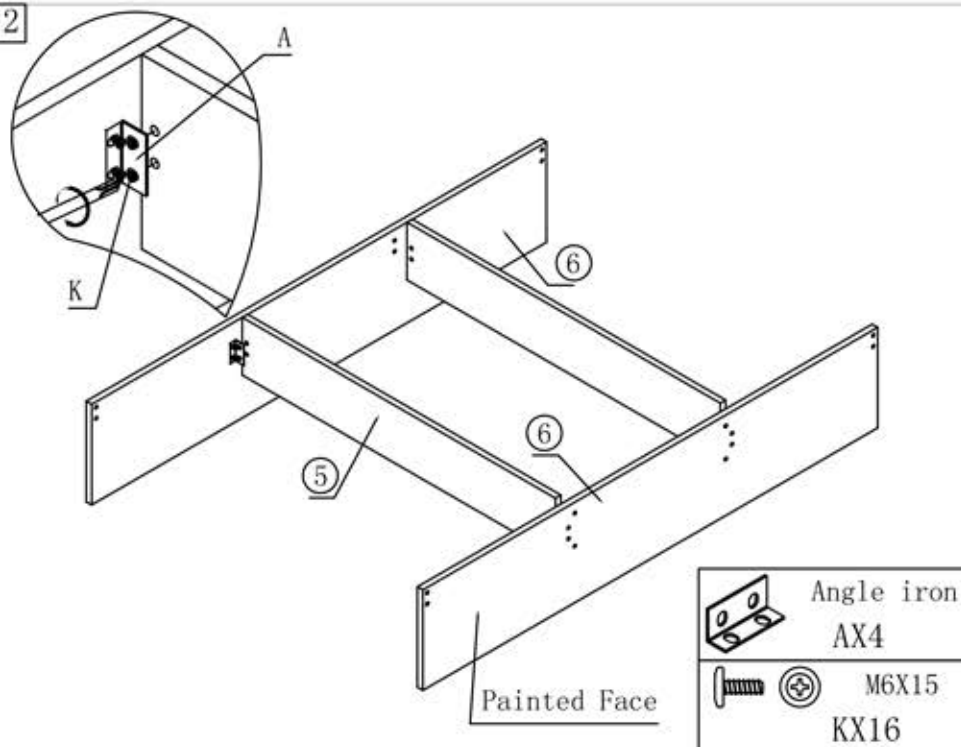
-
- Please check contents and read instructions before commencing assembly.
 - Please use a soft mat to avoid damaging during assembly
 - Assemble this article following the enclosed instructions carefully.

50min

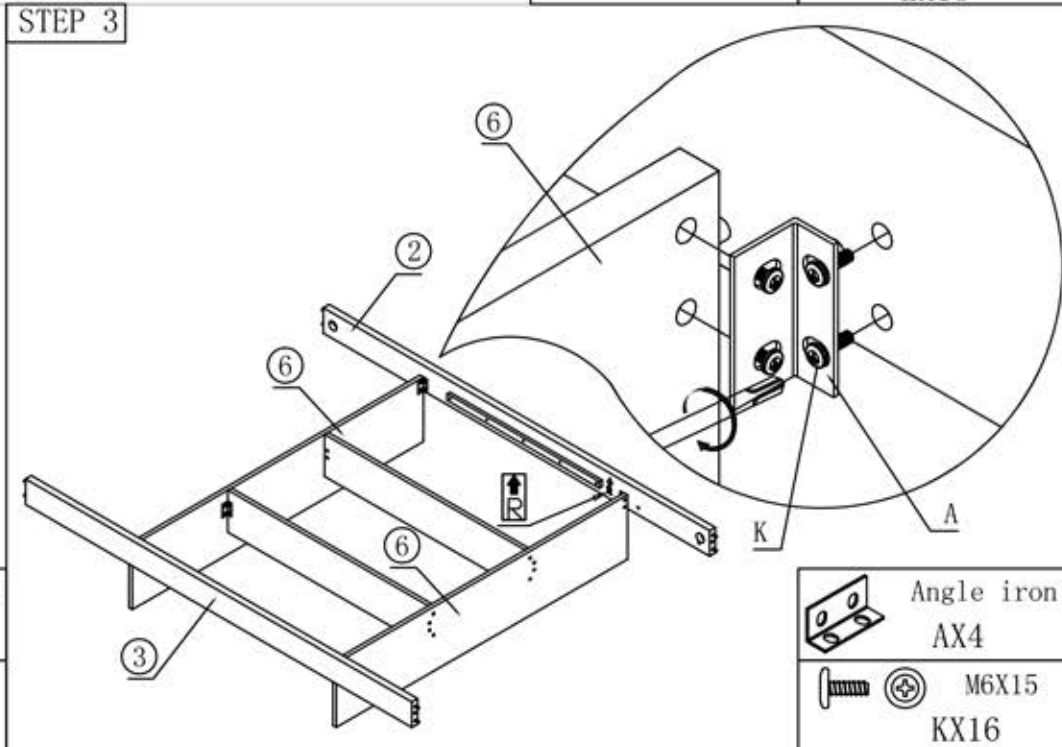
STEP 1



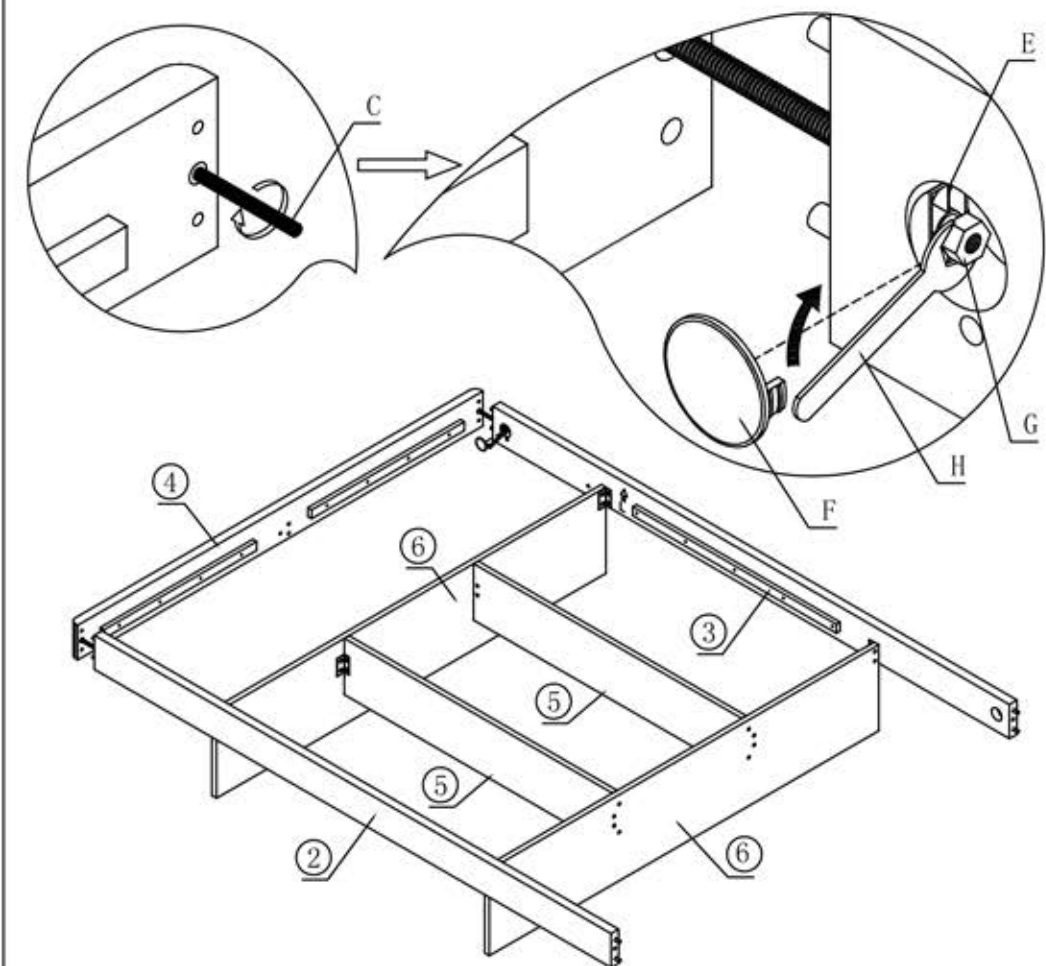
STEP 2



STEP 3

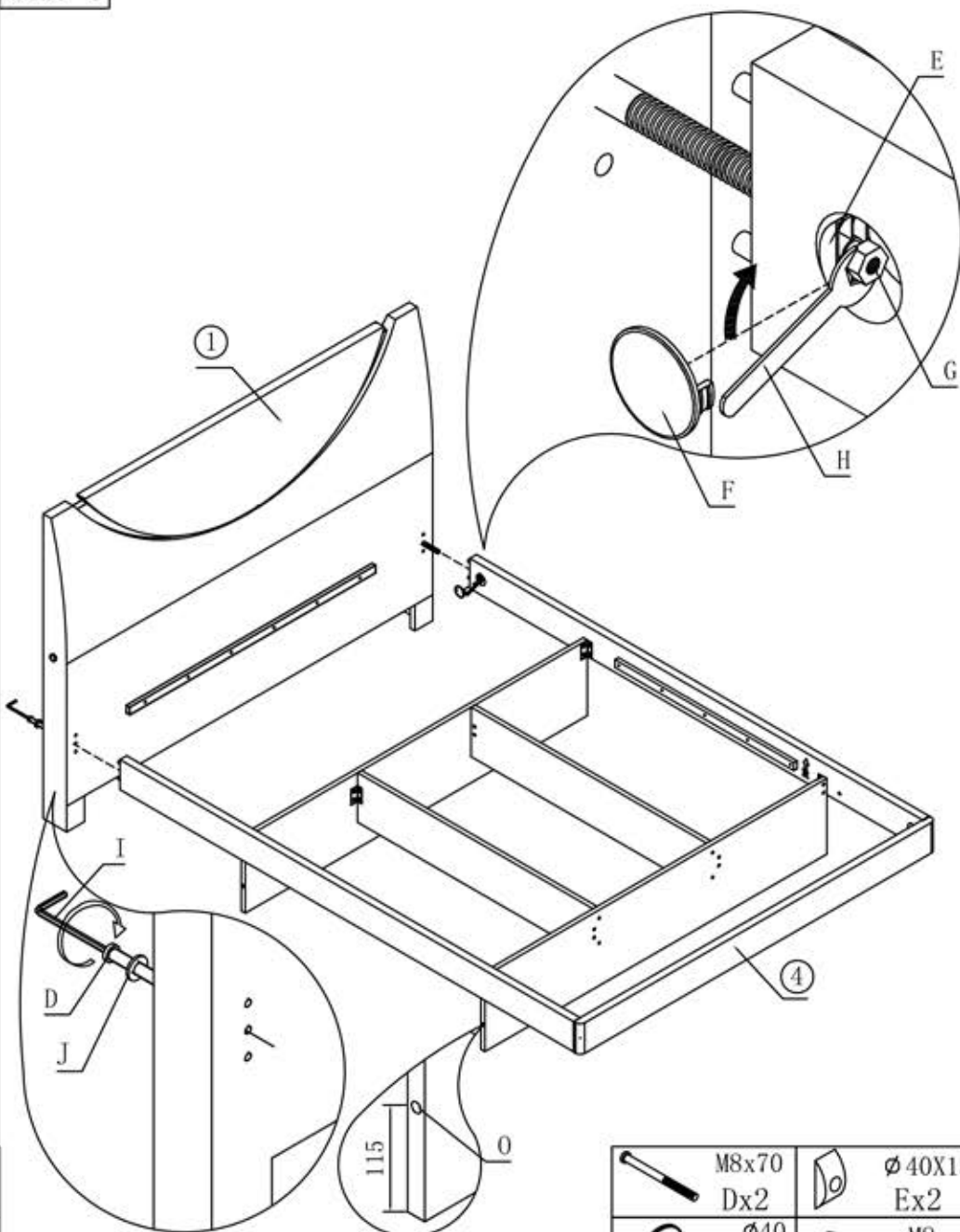


STEP 4



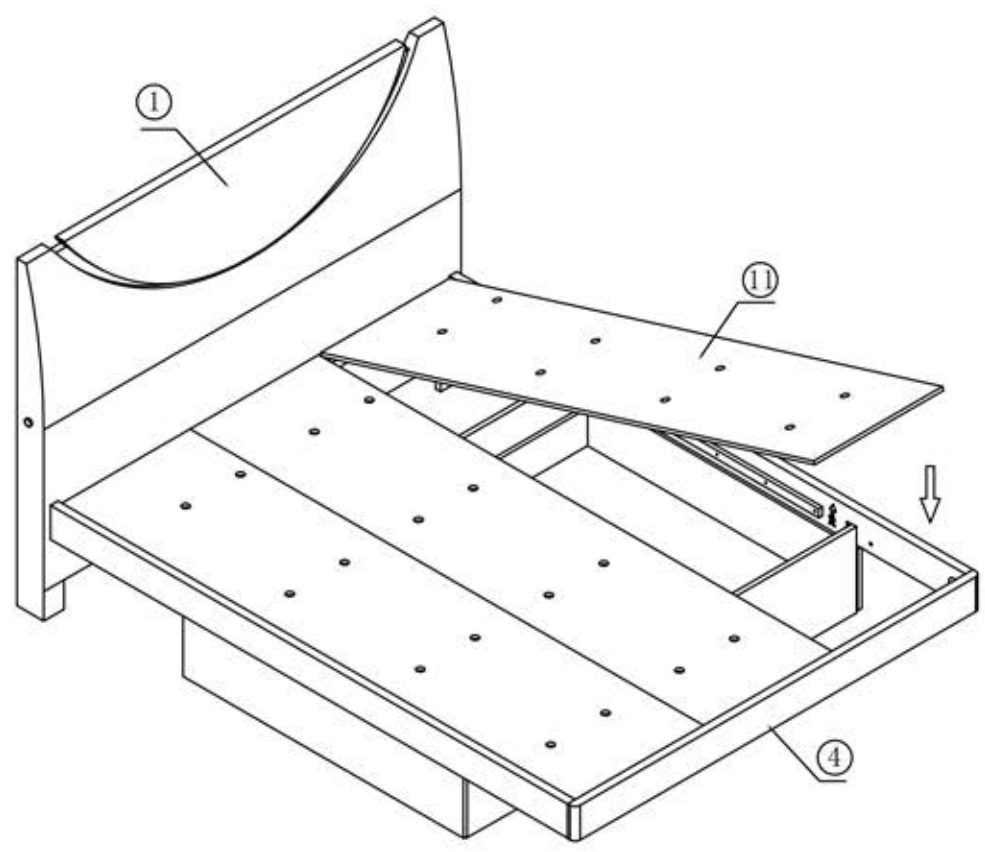
	M8x65 Cx2
	∅40X15 Ex2
	M8 Gx2
	∅40 Fx2
	M8/13mm Hx1

STEP 5



	M8x70 Dx2		∅40X15 Ex2
	∅40 Fx2		M8 Gx2
	Non-bump plastic (∅12x1) Ox4		M8/13mm Hx1
	Spanner Ix1		M8 Jx2

STEP 6



STEP 7

