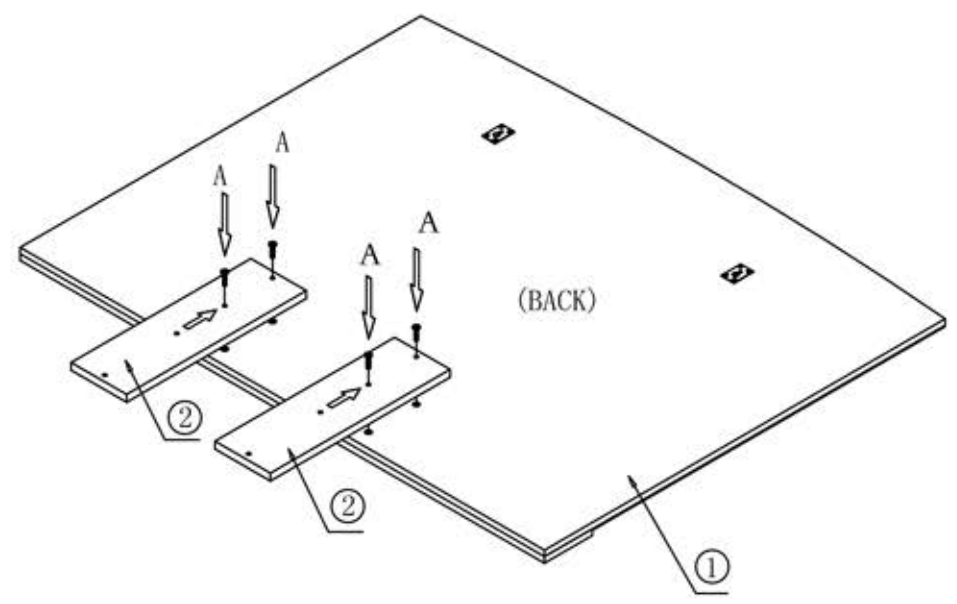



STEP1

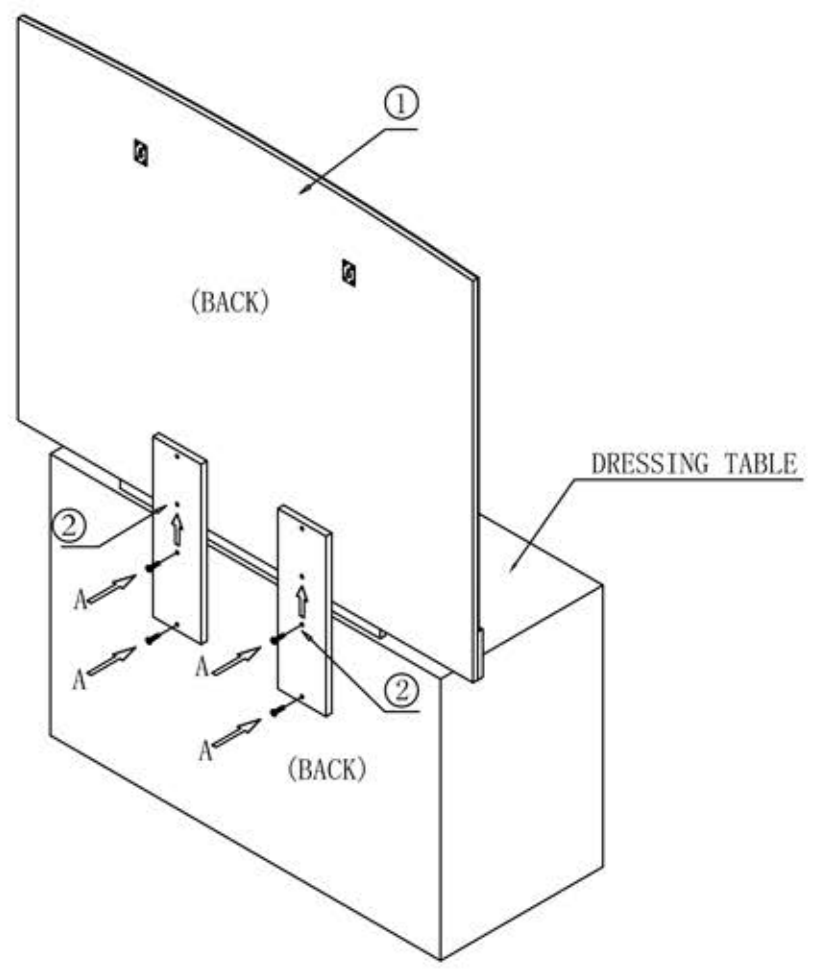


(METHOD 1)

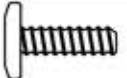


 Please use a soft mat to avoid damaging during assembly

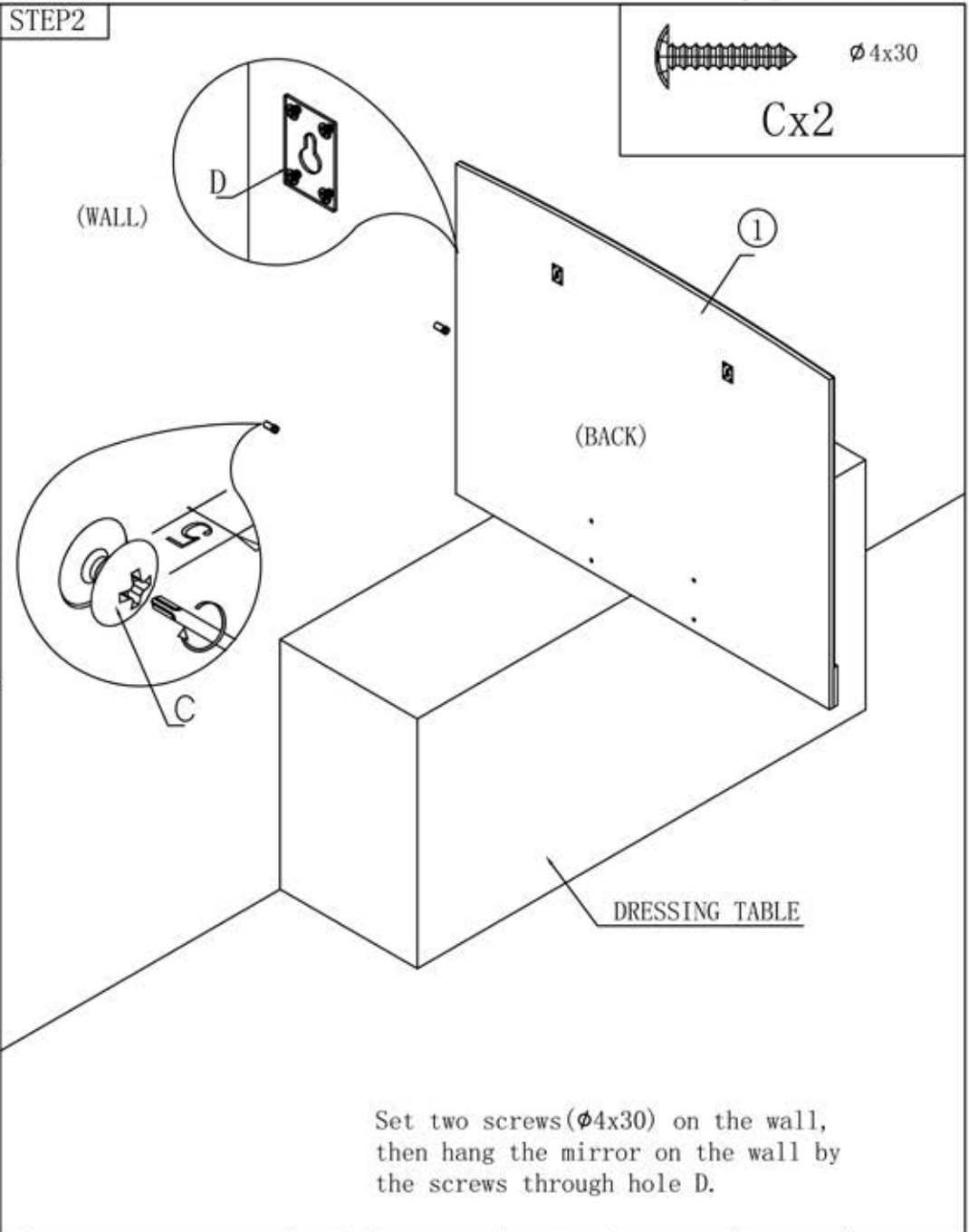
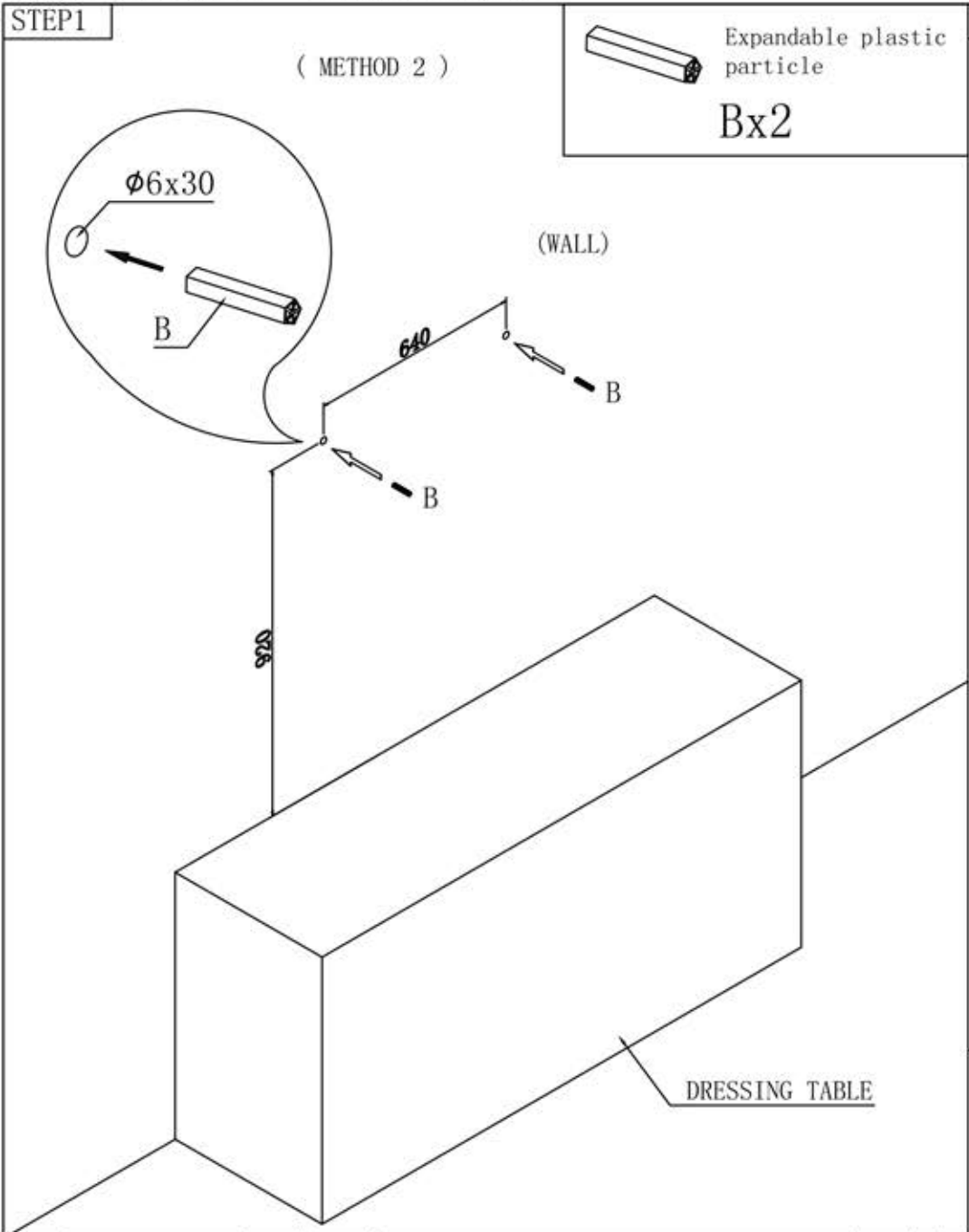
STEP2



No	Part	Qty
1	Dressing Mirror	1
2	Supporting Board	2

No	Part	Qty
A	 Screw M6X30	8


 10min
 



No	Part	Qty	No	Part	Qty	No	Part	Qty
1	Mirror Panel	1	B	Expandable plastic particle	2	C	Screw $\phi 4 \times 30$	2

2

10min