
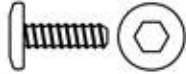



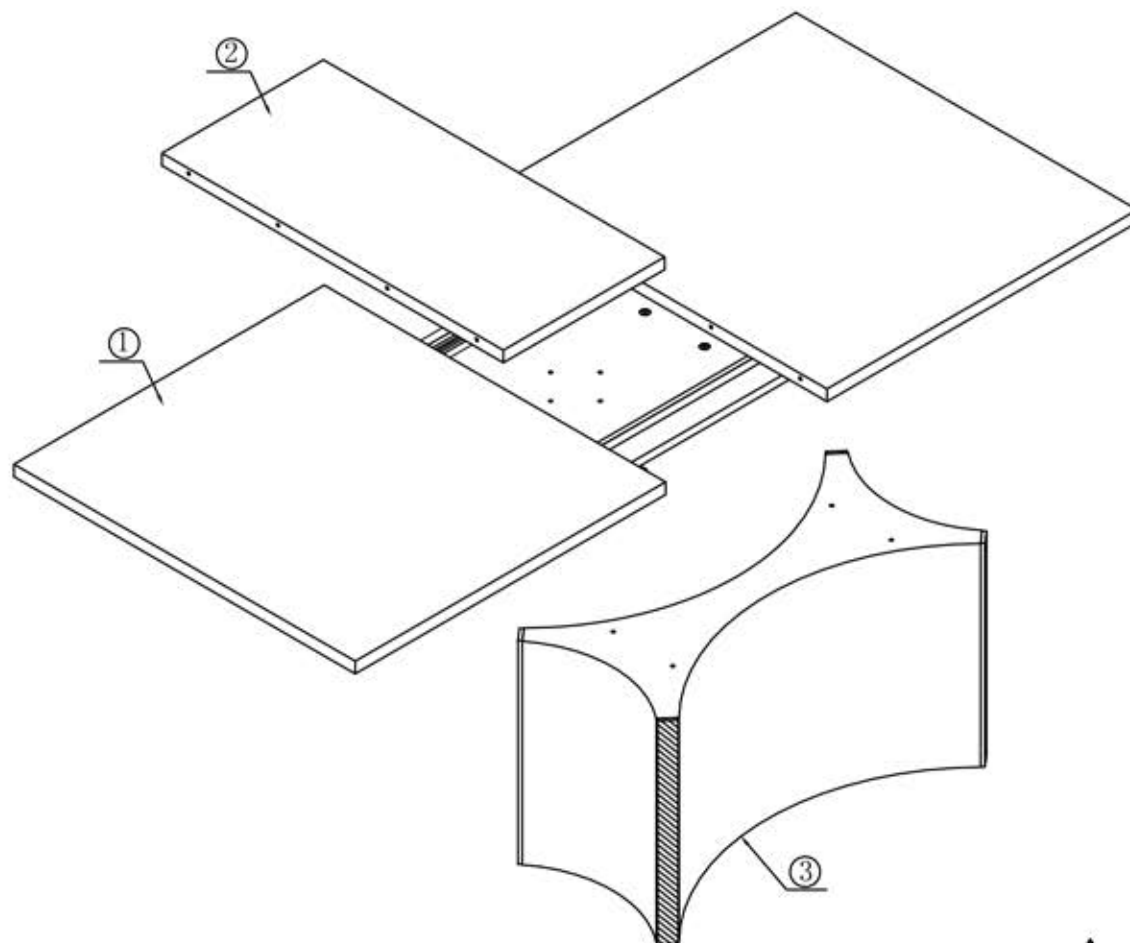


No	Part	Qty
1	Faceplate Top A	1
2	Faceplate Top B	1
3	Pedestal	1

No	Part	Qty
A	 Spanner 5mm	1
B	 Screw M8x30	4
C	 Gasket M8	4
D	 bag	1
E	 Foot adjusting	4

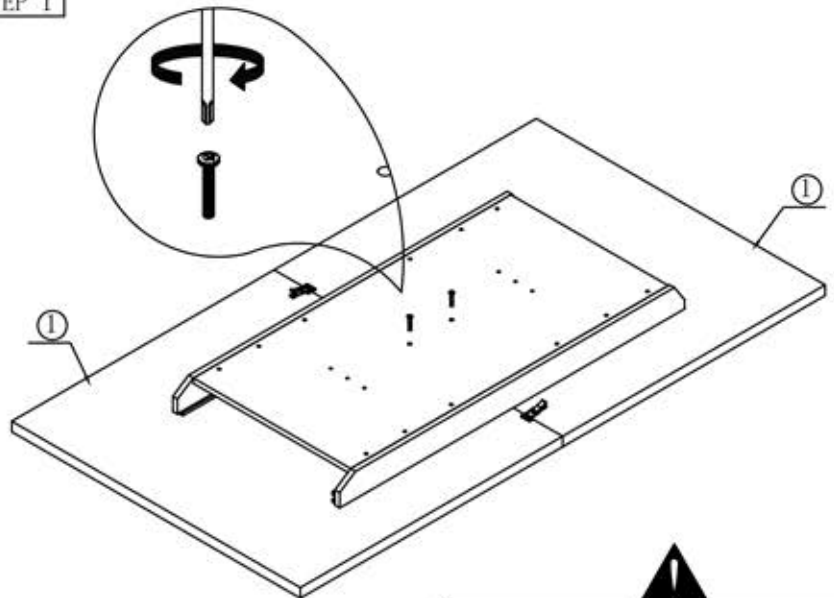


- Please check contents and read instructions before commencing assembly.
- Please use a soft mat to avoid damaging during assembly
- Assemble this article following the enclosed instructions carefully.



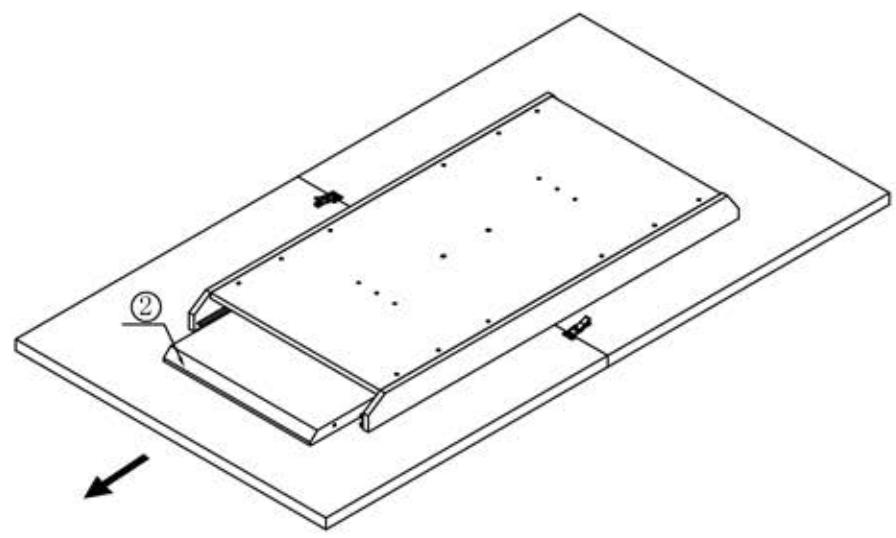
30min

STEP 1

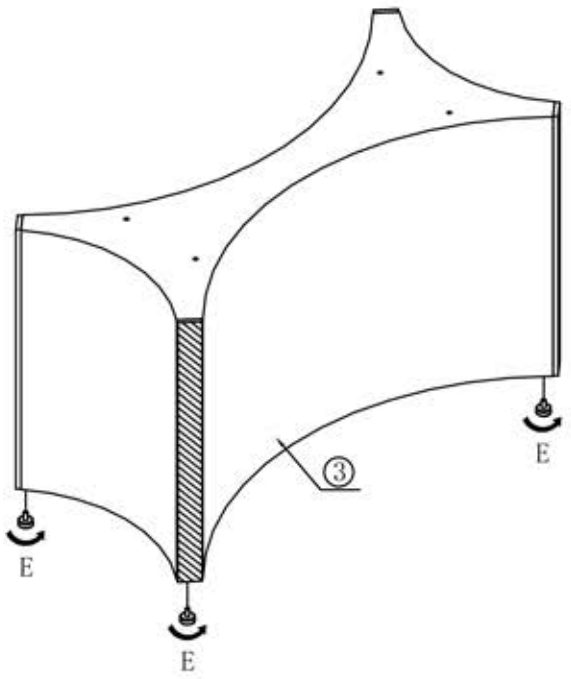


⚠ Please use a soft mat to avoid damaging during assembly

STEP 2

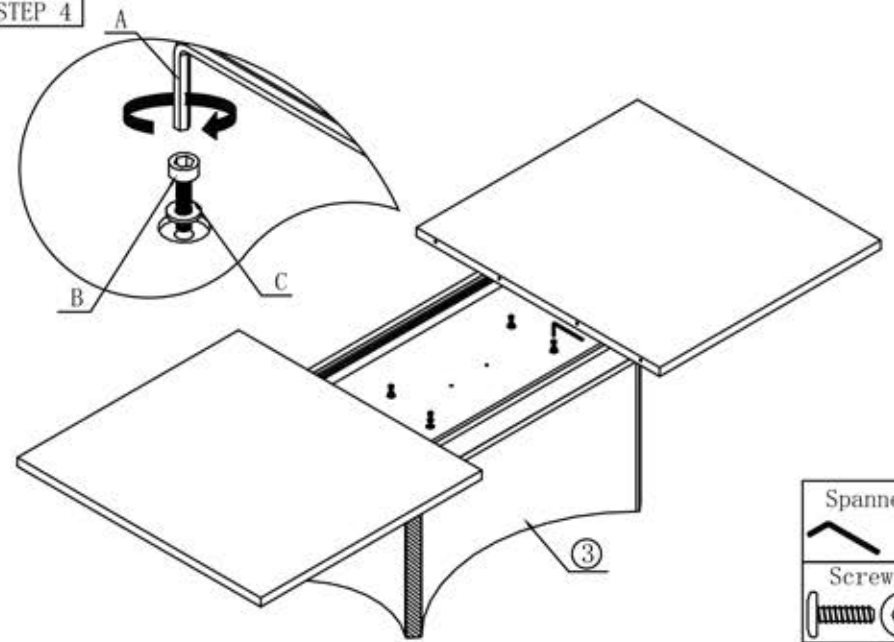


STEP 3



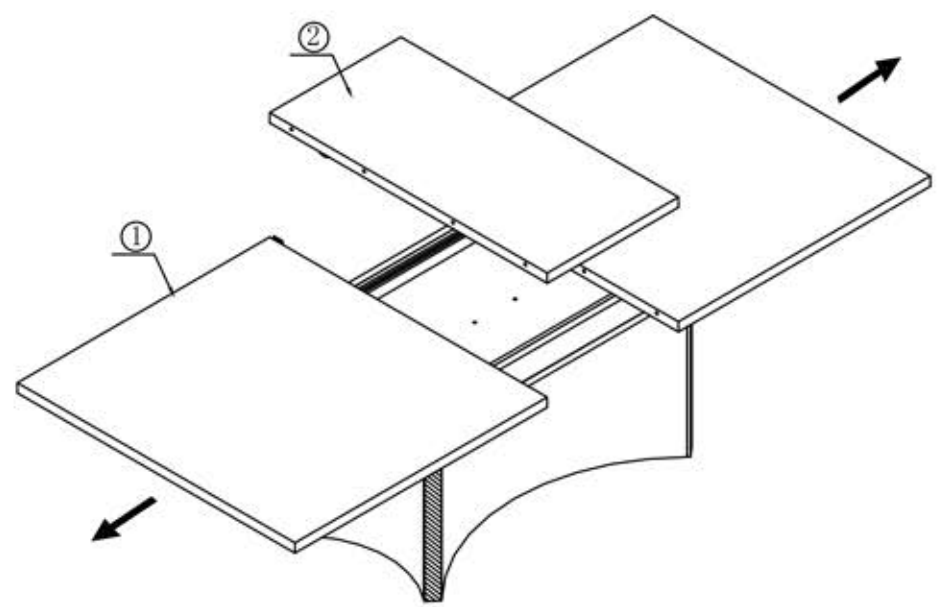
Foot adjusting
Ex4

STEP 4

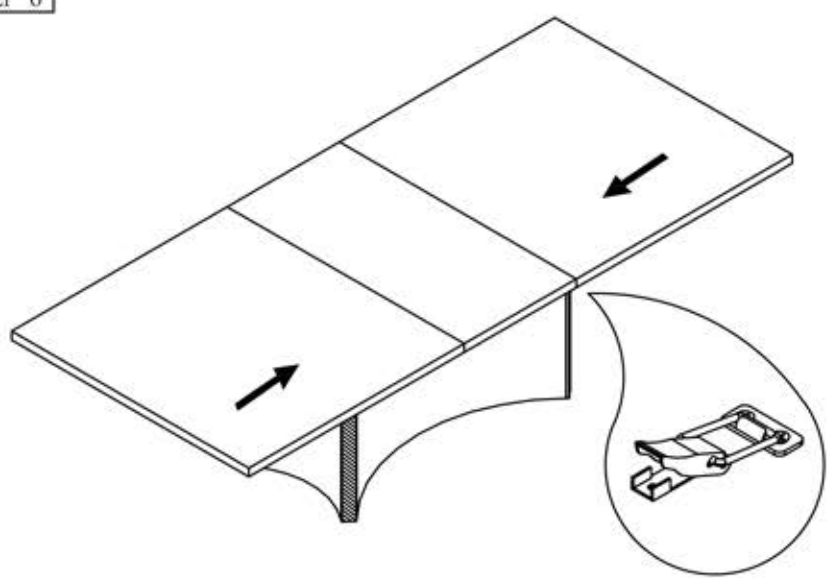


- Spanner 5mm
- ⌒ Ax1
- Screw M8x30
- ⌚ Bx4
- Gasket M8
- Cx4

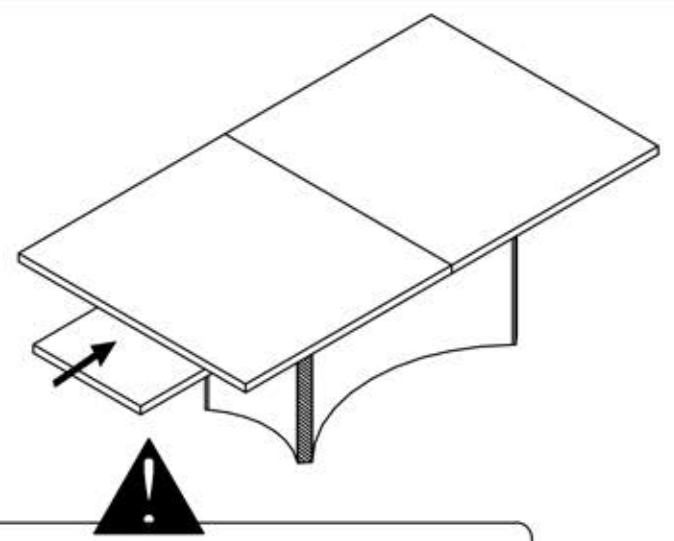
STEP 5



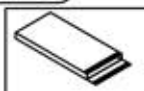
STEP 6



STEP 7



Put the extension in the bag, then hide it under the table face .



Dx1