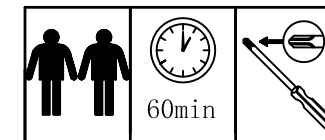


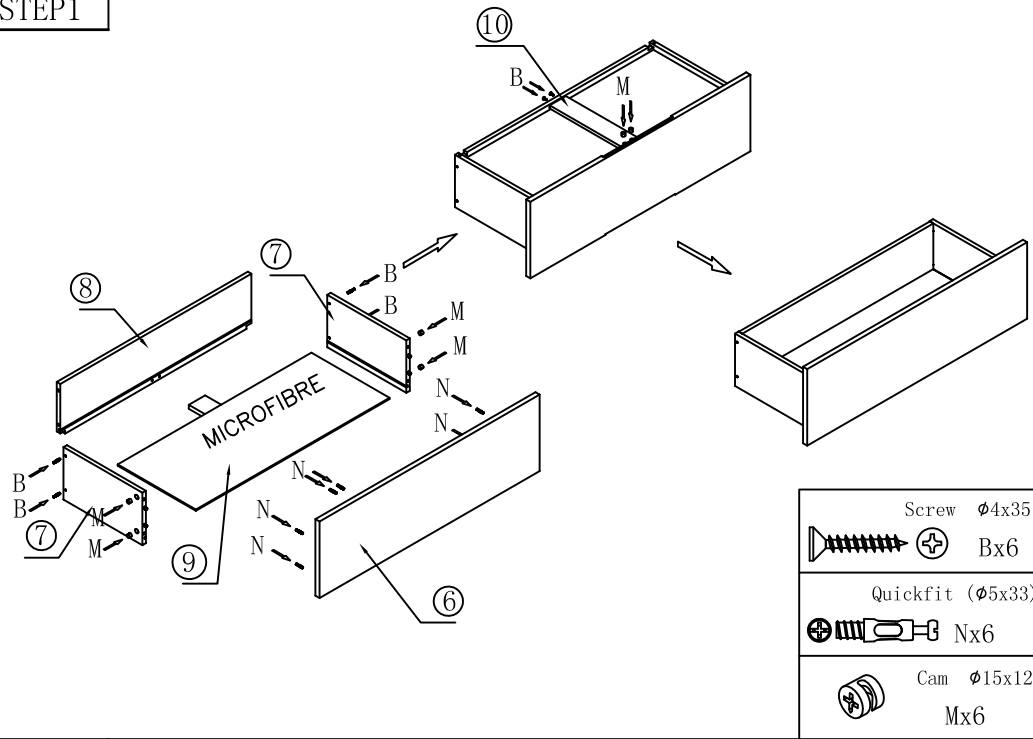
No	Part	Qty
1	Top panel	1
2	Pedestal	1
3	Shelf	1
4	Side panel	2
5	Back panel	1
6	Drawer front panel	1
7	Drawer side panel	2
8	Drawer back panel	1
9	Drawer bottom panel	1
10	Support for bottom panel	1
11	Glass Door	2
12	Glass shelf	2

No	Part	Qty
A	Screw $\phi 4 \times 40$	4
B	Screw $\phi 4 \times 35$	6
C	Gasket M5	2
D	Handles	2
E	Drawer Slides 14"	1
F	Shelf support	2
G	Screw $\phi 4 \times 12$	4
H	Screw $\phi 6 \times 10$	6
I	Angle iron	8
J	Screw $\phi 4 \times 16$	44
K	Screw M4x12	2
L	No-bump plastic 2MM	2
M	Cam $\phi 15 \times 12$	28
N	Quickfit ($\phi 5 \times 33$)	28
O	Shelf support for glass	8
P	Concealed lamp	1
Q	Spring hinge ($\phi 26$)	6
R	Screw $\phi 4 \times 20$	6
S	Plastic Cushion	2

- Please check contents and read instructions before commencing assembly.
- Please use a soft mat to avoid damaging during assembly
- Assemble this article following the enclosed instructions carefully.

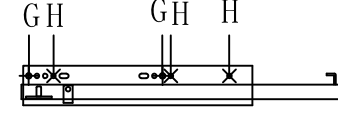
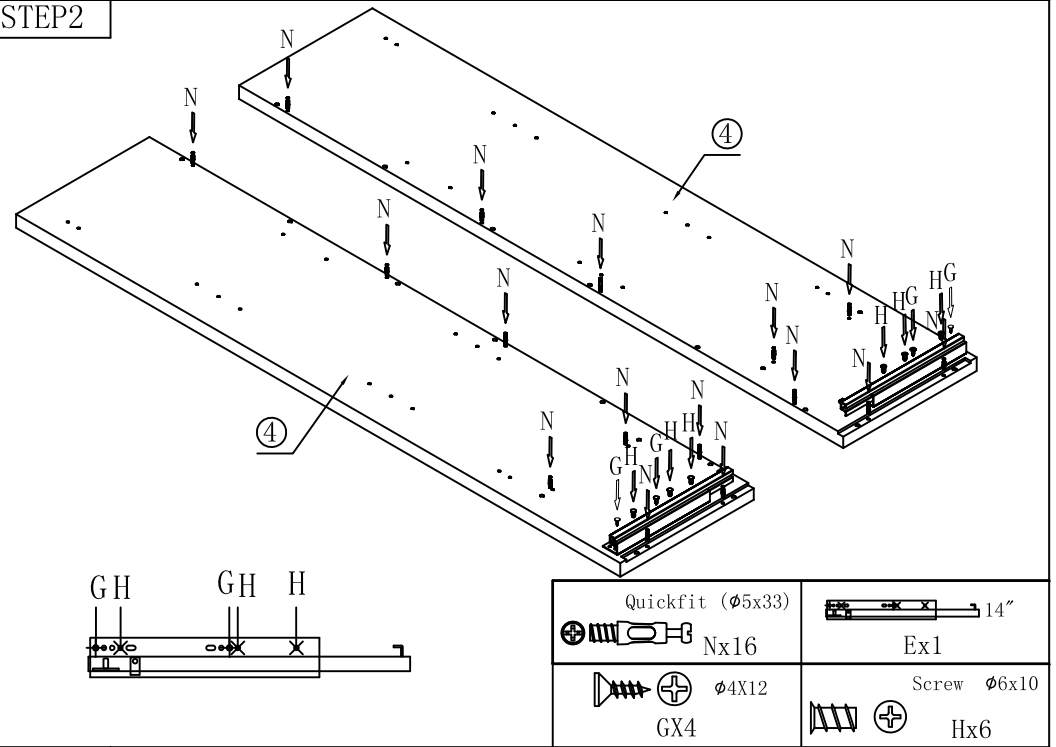


STEP1



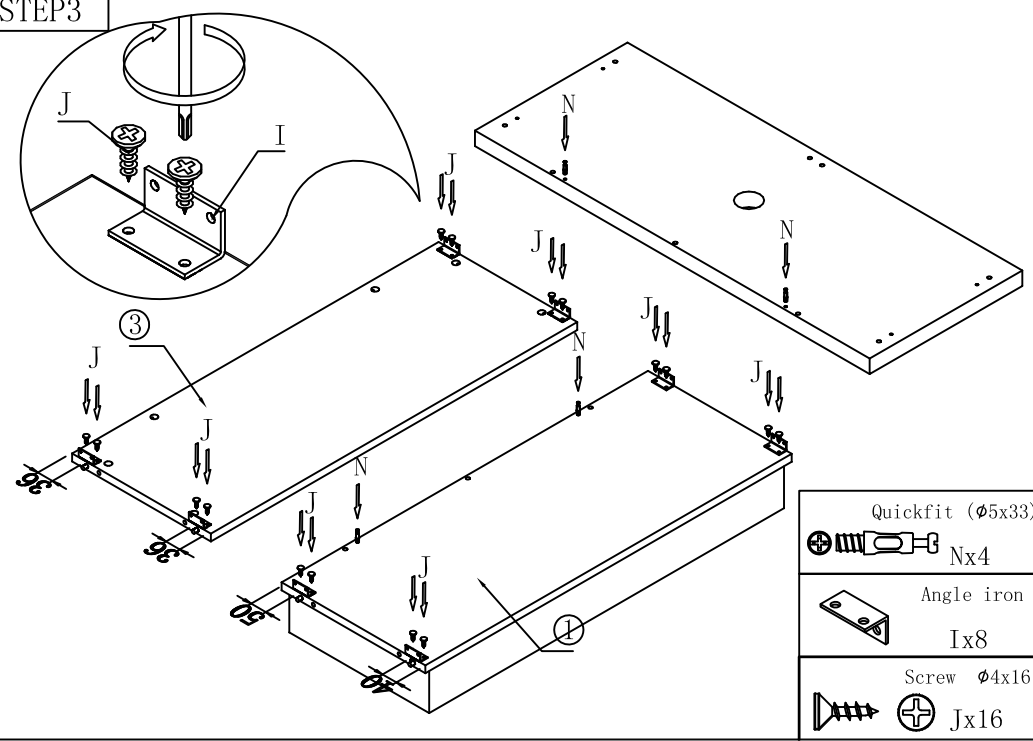
	Screw $\phi 4 \times 35$
	Bx6
	Quickfit ($\phi 5 \times 33$)
	Nx6
	Cam $\phi 15 \times 12$
	Mx6

STEP2



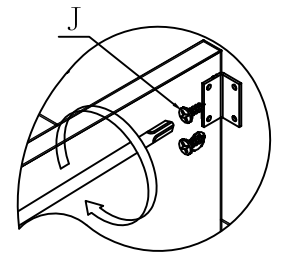
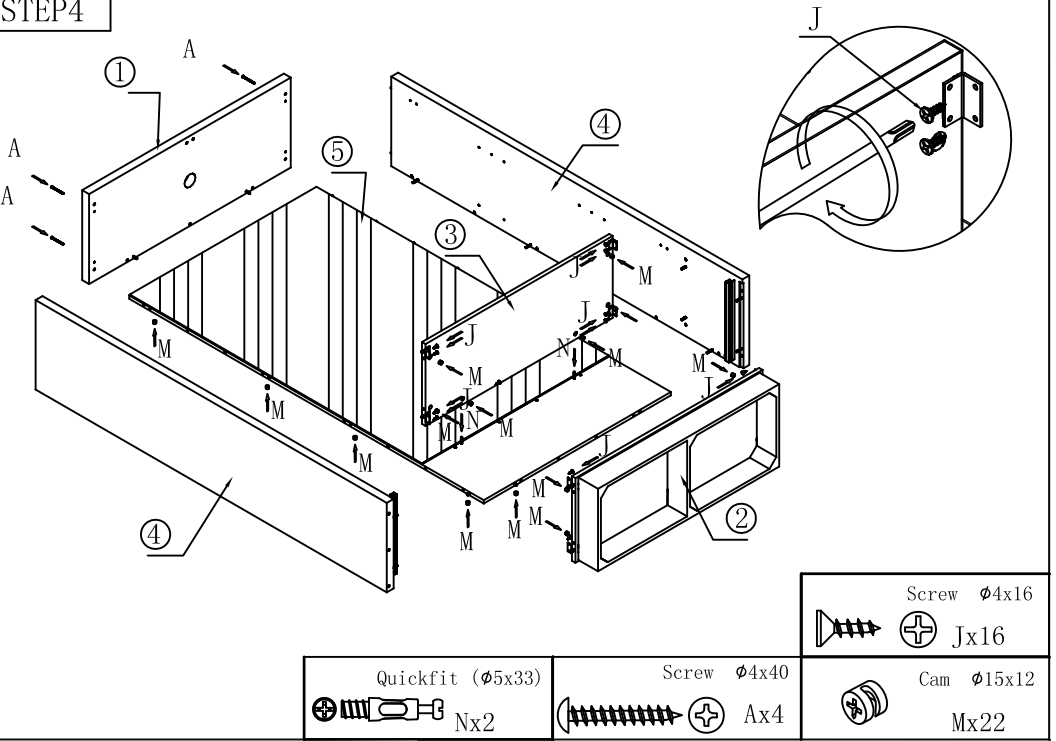
	Quickfit ($\phi 5 \times 33$)		$14''$
	Nx16		Ex1
	$\phi 4 \times 12$		Screw $\phi 6 \times 10$
	GX4		Hx6

STEP3



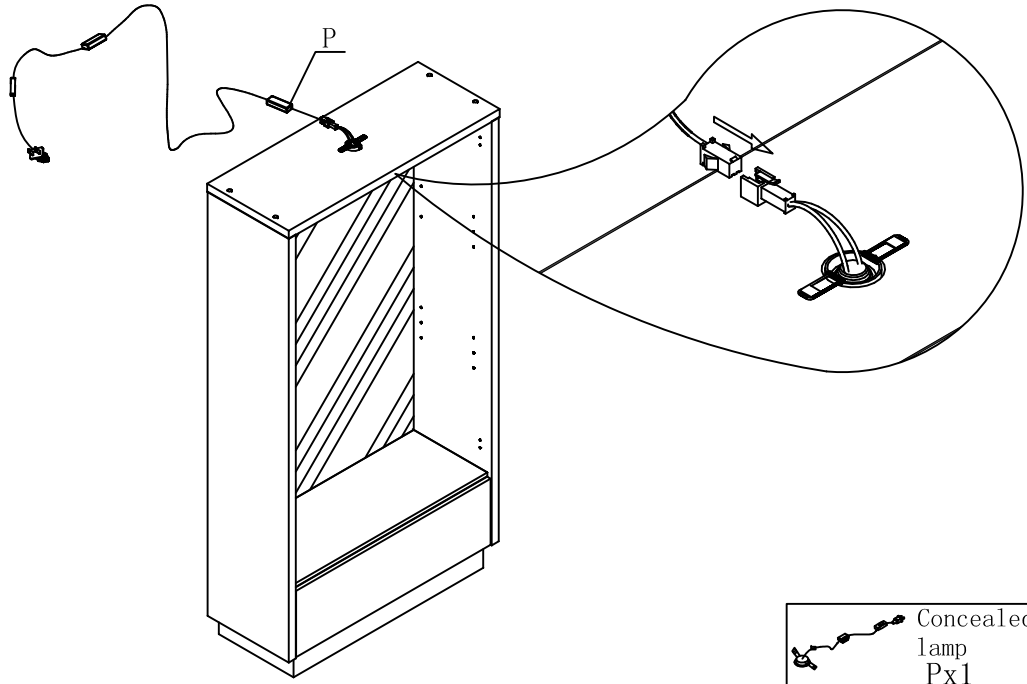
	Quickfit ($\phi 5 \times 33$)
	Nx4
	Angle iron
	Ix8
	Screw $\phi 4 \times 16$
	Jx16

STEP4



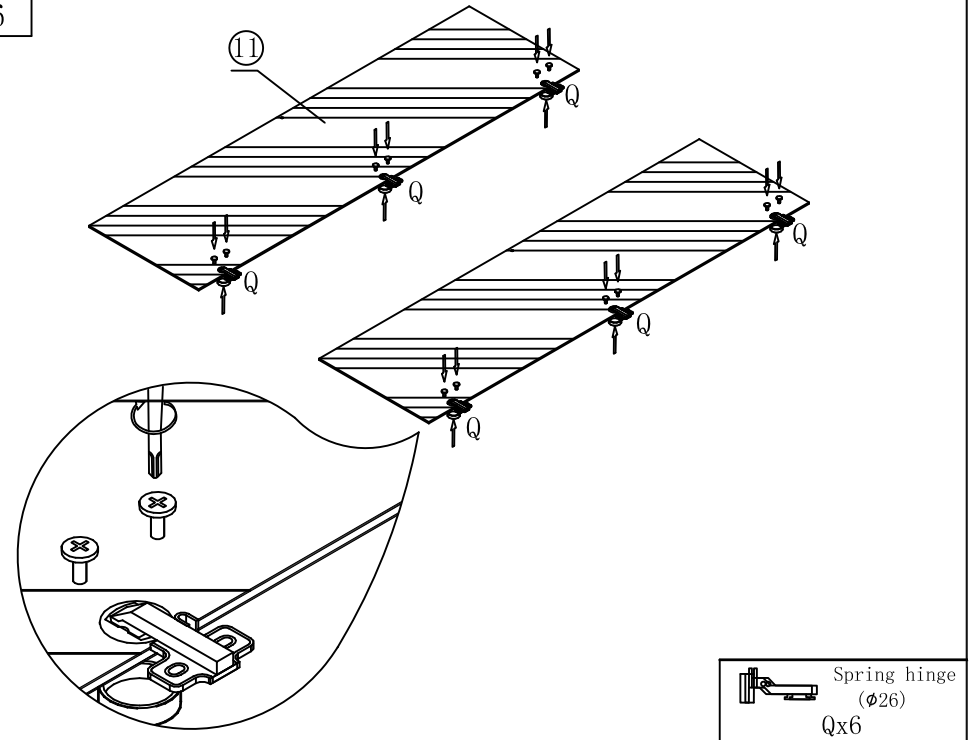
	Quickfit ($\phi 5 \times 33$)		Screw $\phi 4 \times 40$
	Nx2		Ax4
	$\phi 4 \times 16$		Cam $\phi 15 \times 12$
	Jx16		Mx22

STEP5



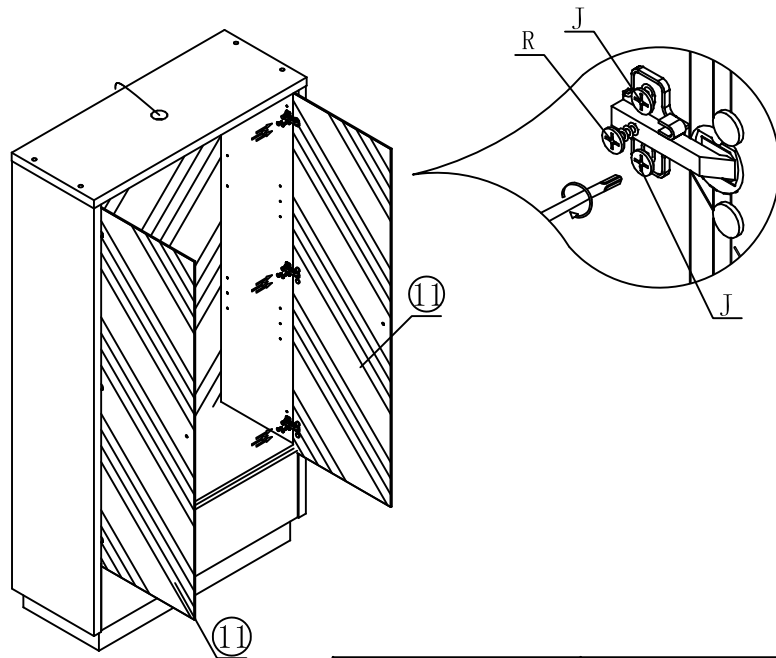
Concealed lamp Px1

STEP6



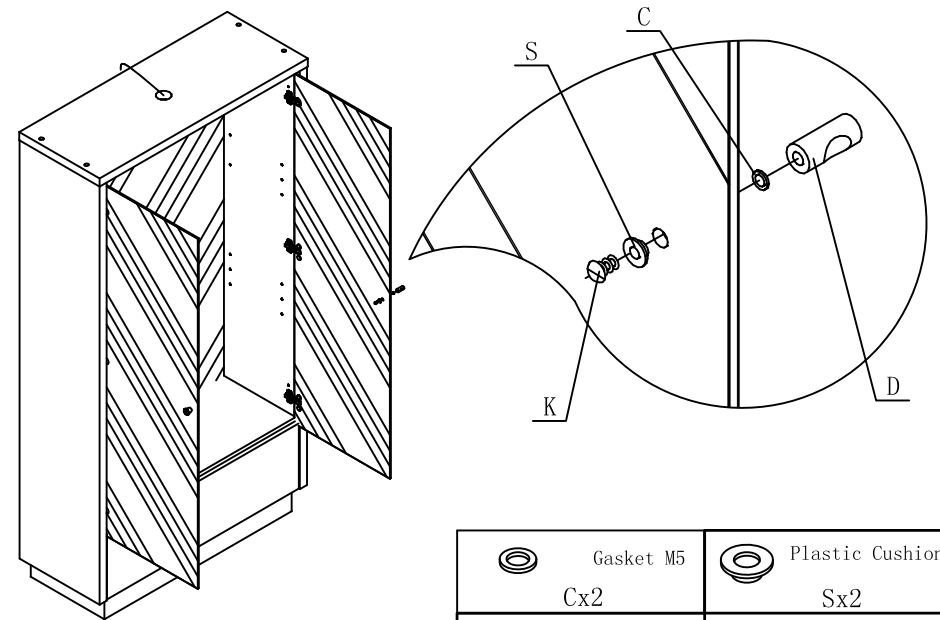
Spring hinge (Ø26) Qx6

STEP7



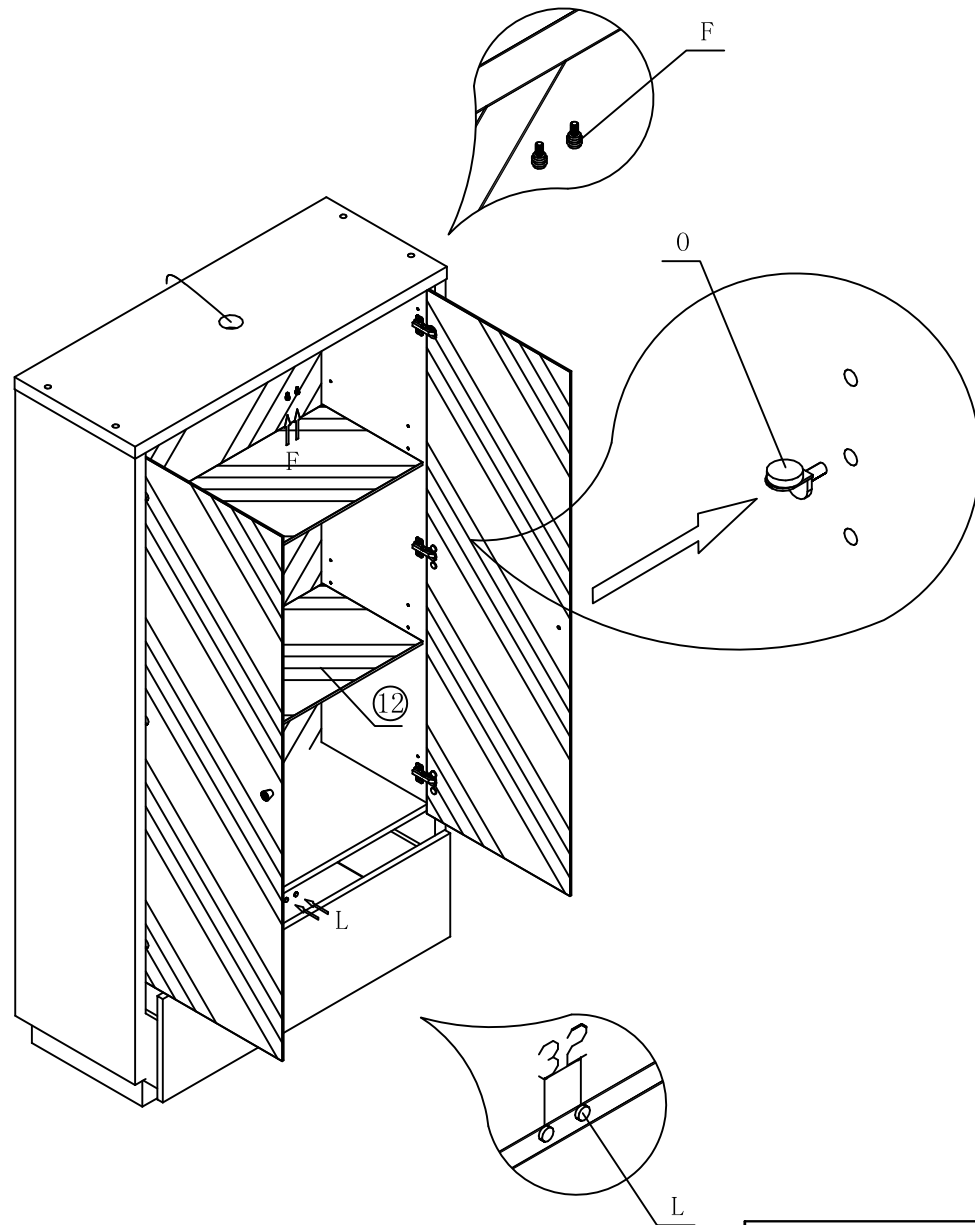
Rx6 \oplus ϕ 4x20 Jx12 \oplus ϕ 4x16


STEP8





Gasket M5 Cx2	Plastic Cushion Sx2
M4x12 Kx2	Handles Dx2

STEP9



Shelf support
 Fx2

	No-bump plastic 2MM
	Lx2
	Shelf support for glass
	Ox8

STEP10

