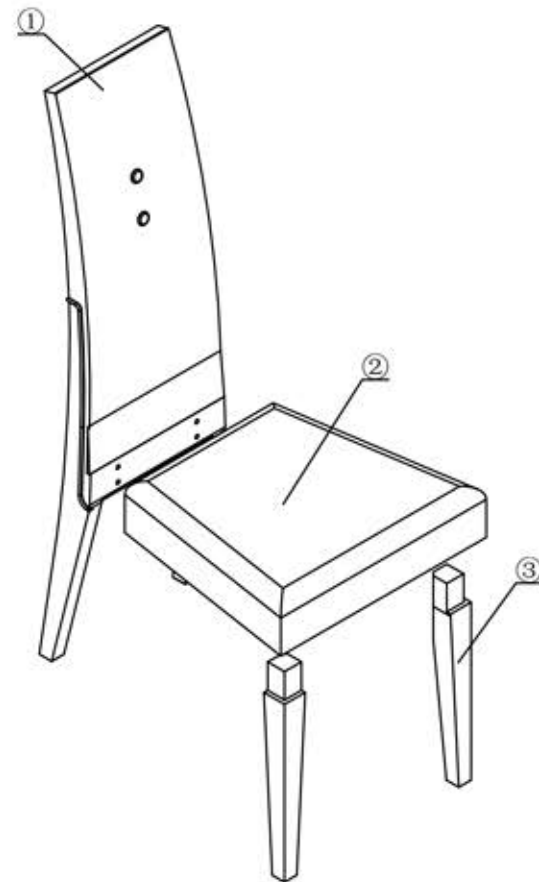






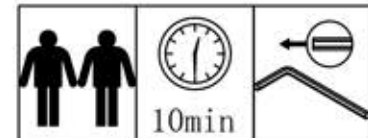
No	Part	Qty
1	Chair Back	1
2	Chair Shelves	1
3	Wood legs	2



No	Part	Qty
A	 Spanner (5mm)	1
B	 Screw M8x50	6
C	 Spring Gasket M8	6
D	 Gasket M8 (Ø20X2.0mm)	6

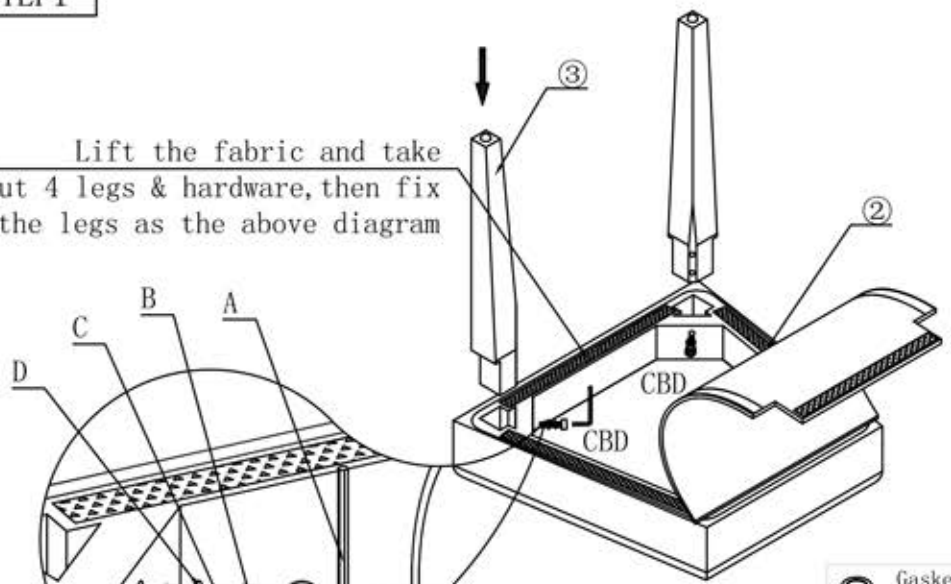


- Please check contents and read instructions before commencing assembly.
- Please use a soft mat to avoid damaging during assembly
- Assemble this article following the enclosed instructions carefully.



STEP1

Lift the fabric and take out 4 legs & hardware, then fix the legs as the above diagram

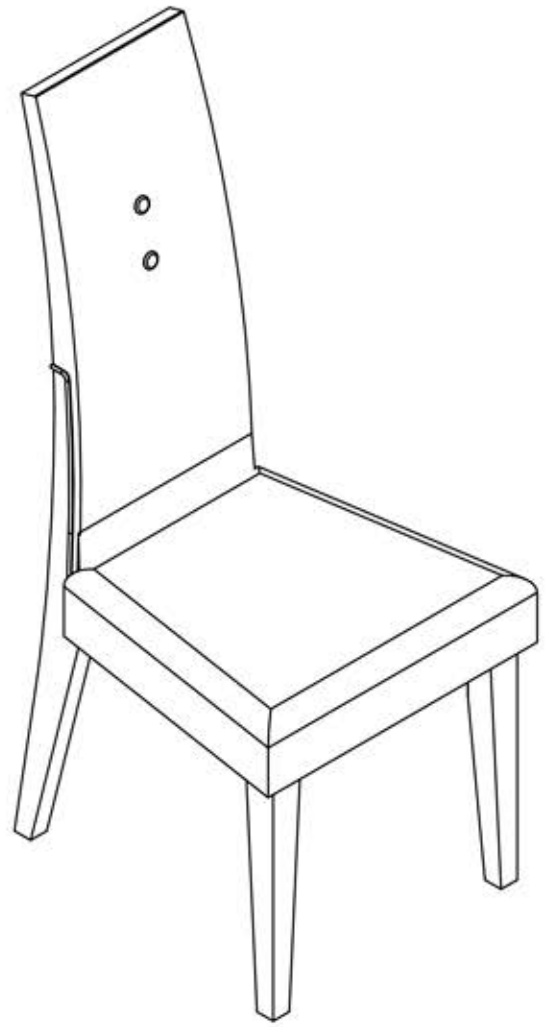


Spring Gasket
Cx2

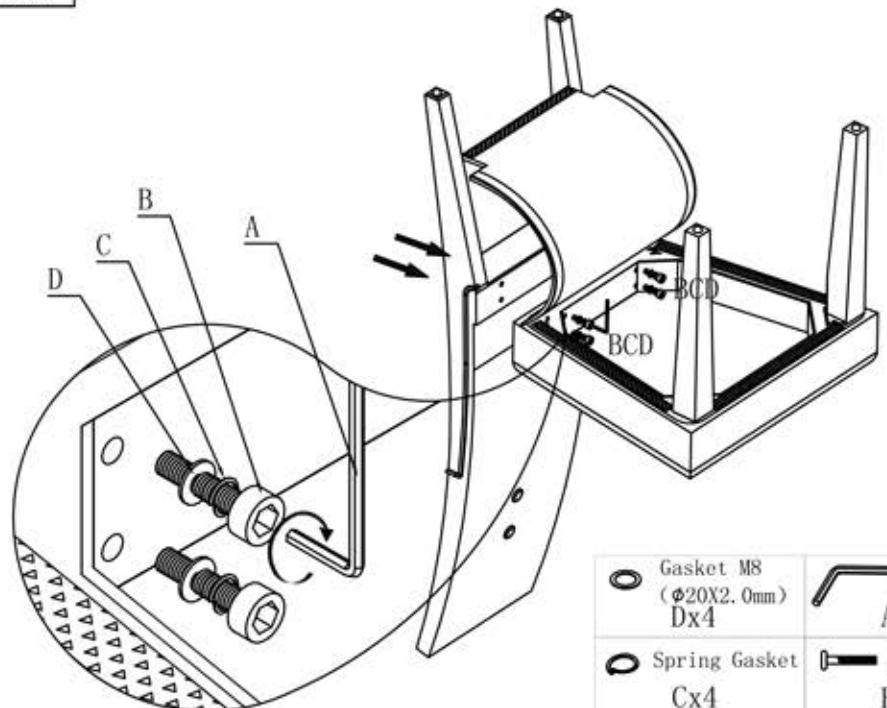


Gasket M8
(ϕ 20X2.0mm)
Dx2
M8x50
Bx2

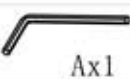
STEP3



STEP2



Gasket M8
(ϕ 20X2.0mm)
Dx4



Spring Gasket
Cx4

M8x50
Bx4