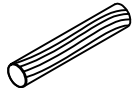
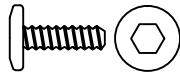


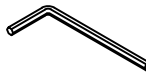






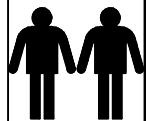



No	Part	Qty
1	Faceplate Top A	1
2	Faceplate Top B	1
3	Side panel	2
4	Shelf support	1
5	Pedestal	1

No	Part	Qty
A	 Wooden tenon $\phi 8 \times 50$	4
B	 Screw M8x30	4
C	 Gasket M8	8
D	 bag	1
E	 Spanner 5mm	1
F	 Screw M8x60	4
G	 Cover Cap $\phi 40$	2
H	 Threaded Bolt M8x65	2
I	 Nut M8	2
J	 Spanner M8/13mm	1
K	 Maxiluna Washer $\phi 40 \times 15$	2

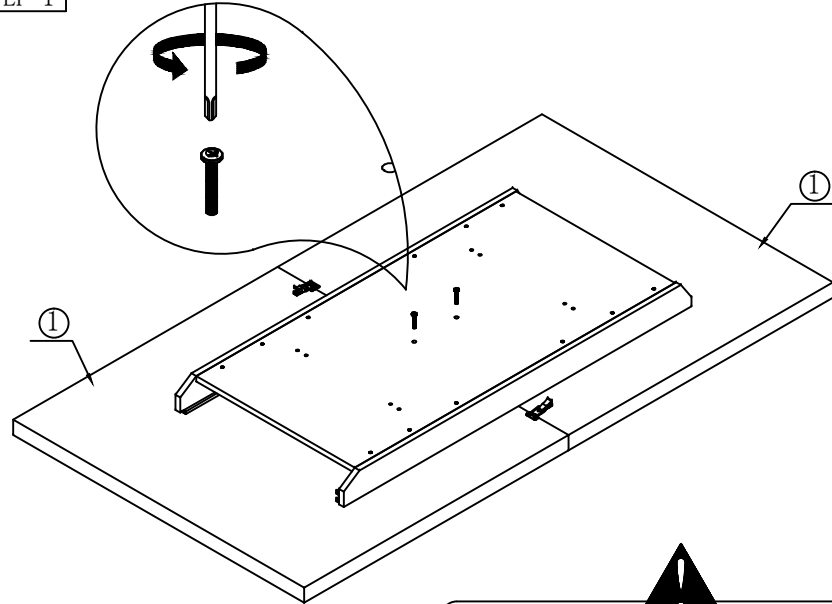


- Please check contents and read instructions before commencing assembly.
- Please use a soft mat to avoid damaging during assembly
- Assemble this article following the enclosed instructions carefully.

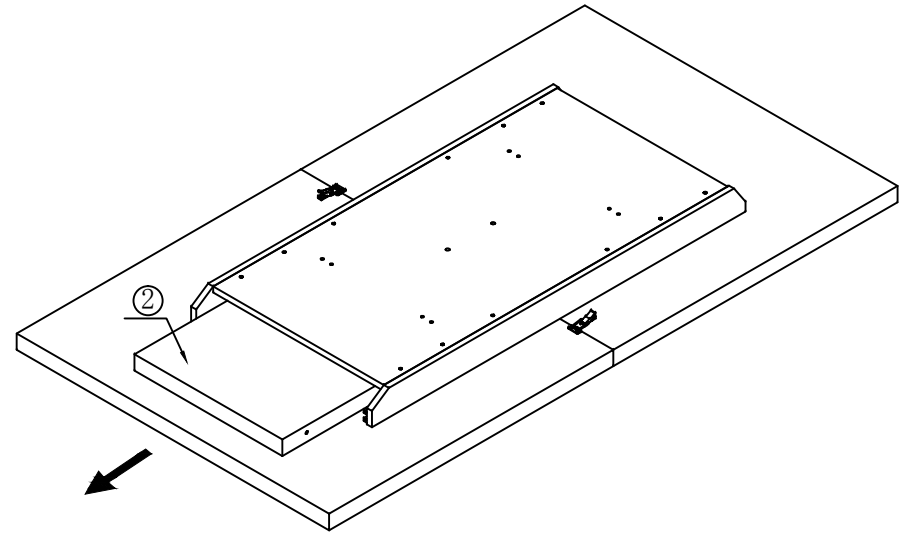
30min

STEP 1

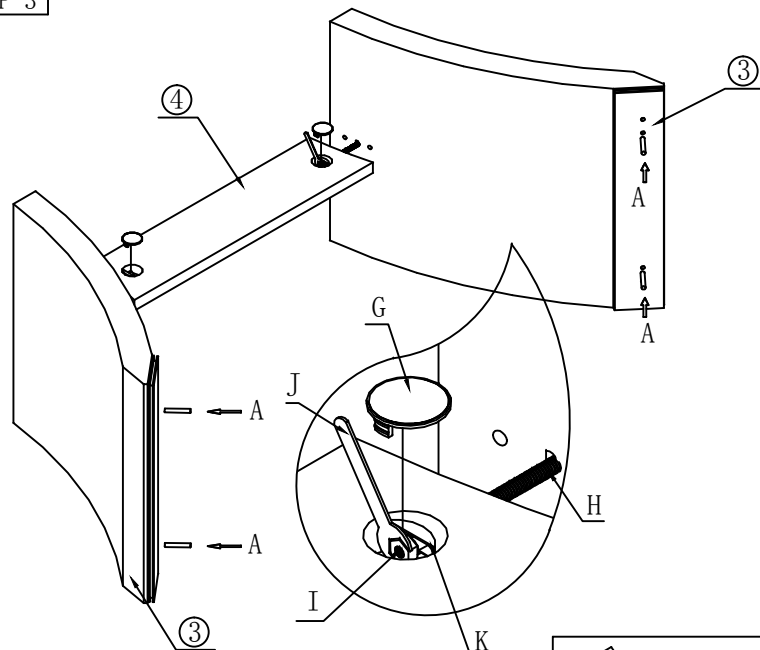


• Please use a soft mat to avoid damaging during assembly

STEP 2

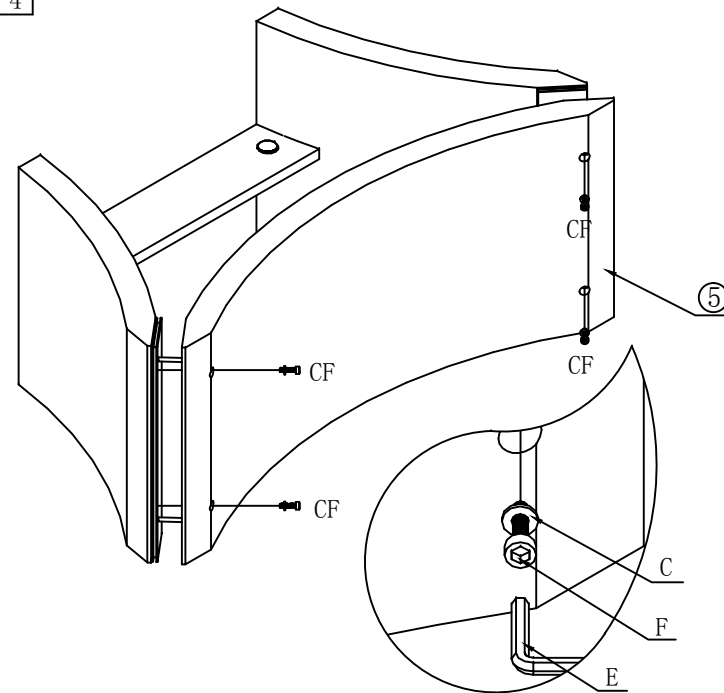


STEP 3



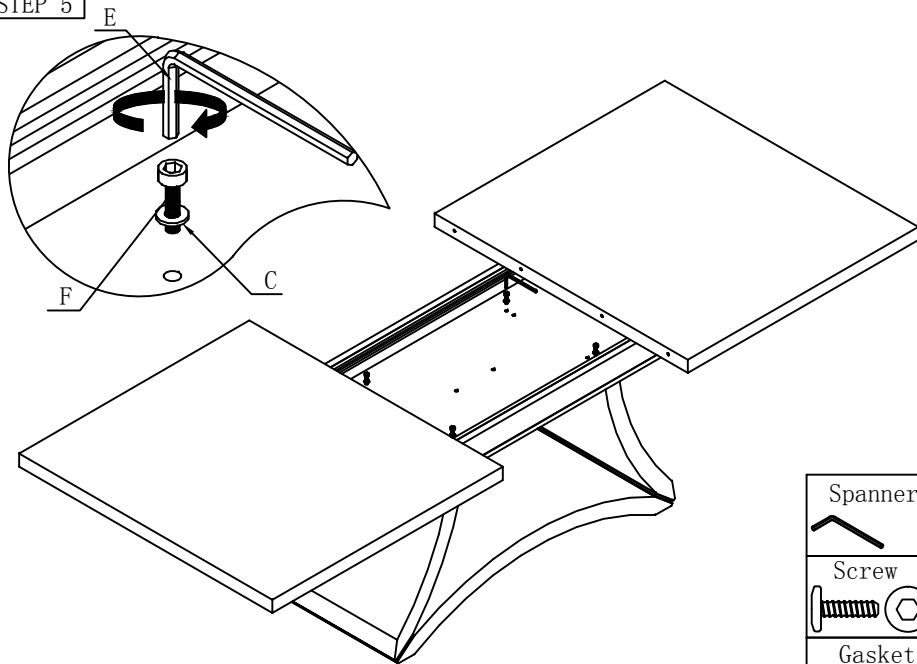
	Wooden tenon φ8X50 Ax4
	M8x65 Hx2
	Nut M8 Ix2
	Jx1
	φ40x15 Kx2
	φ40 Gx2



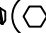

STEP 4



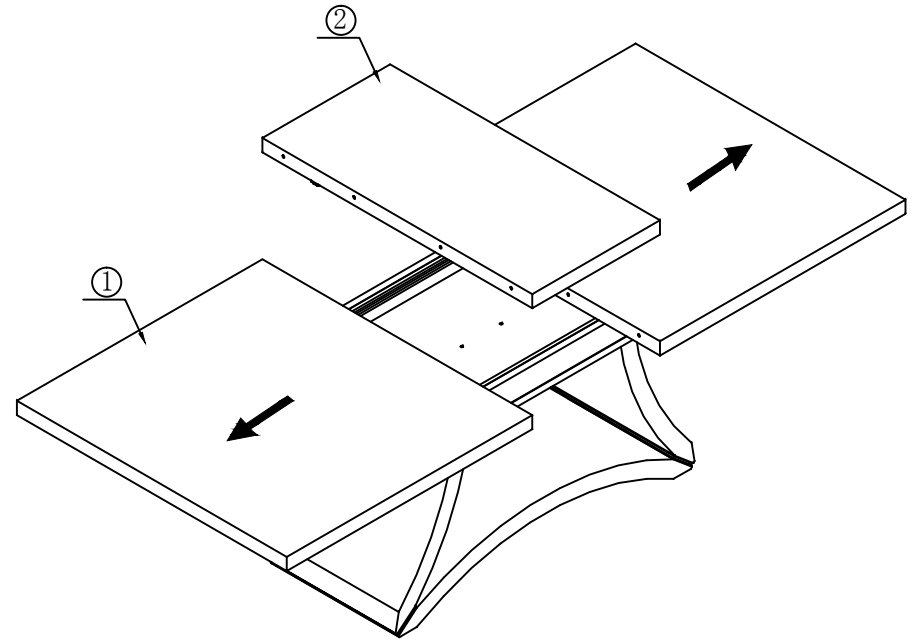
	Spanner 5mm Ex1
	Screw M8x60 Fx4
	Gasket M8 Cx4

STEP 5

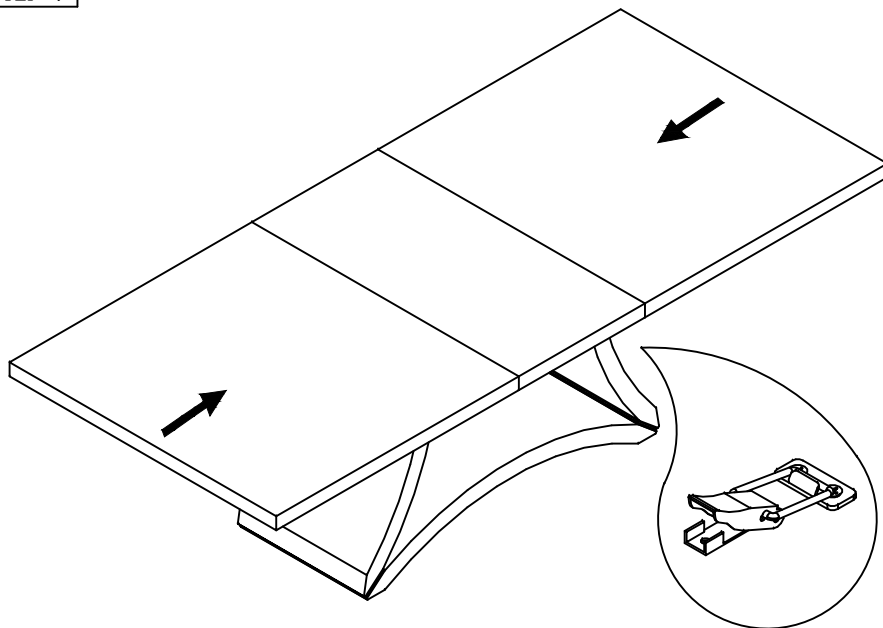


- Spanner 5mm
-  Ex1
- Screw M8x30
-   Bx4
- Gasket M8
-  Cx4

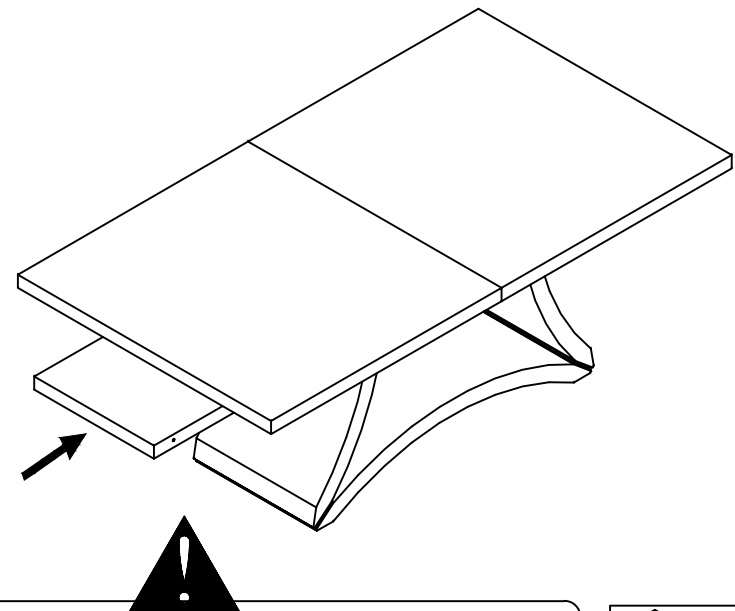
STEP 6



STEP 7



STEP 8



Put the extension in the bag, then hide it under the table face .

