



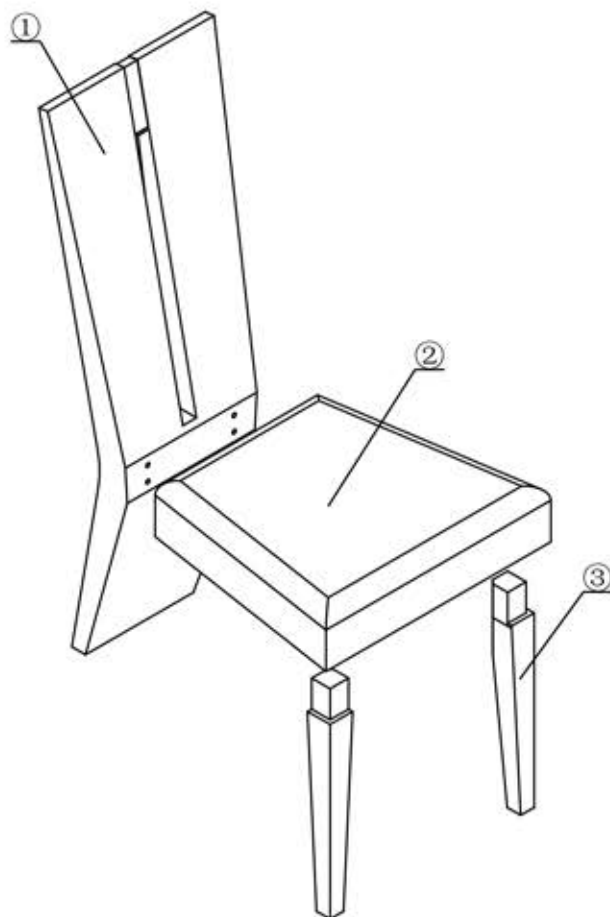


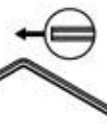


No	Part	Qty
1	Chair Back	1
2	Chair Shelves	1
3	Wood legs	2

No	Part	Qty
A	 Spanner	1
B	 Screw M8x50	6
C	 Spring Gasket M8	6
D	 Gasket M8 (φ20X2.0mm)	6

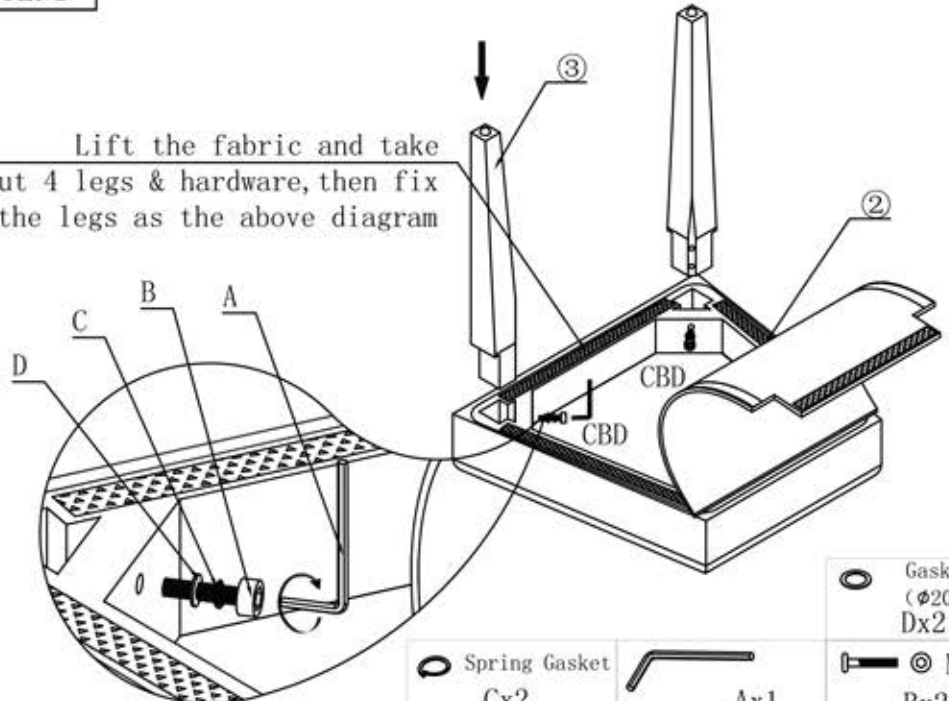


- Please check contents and read instructions before commencing assembly.
- Please use a soft mat to avoid damaging during assembly
- Assemble this article following the enclosed instructions carefully.

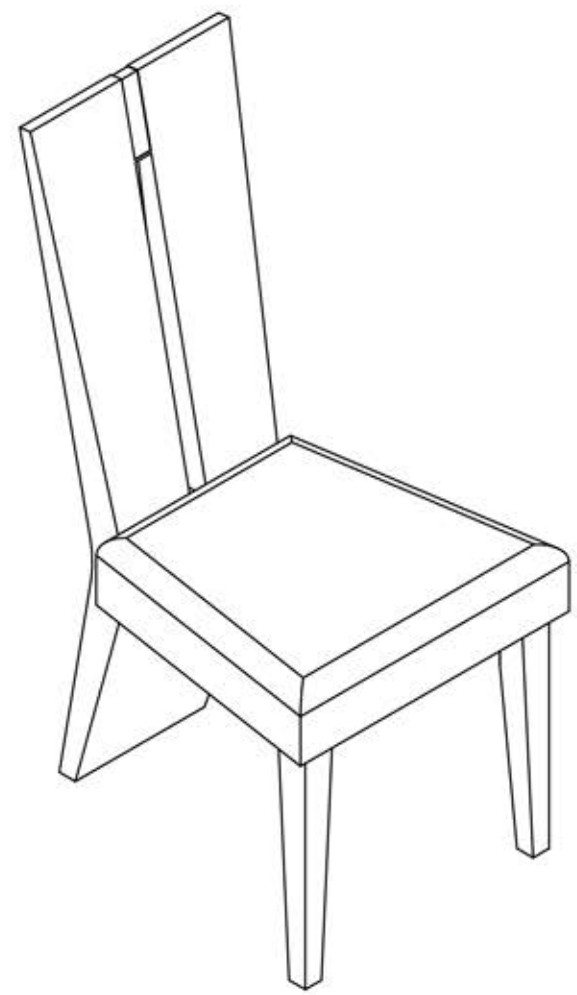
		
	10min	

STEP1

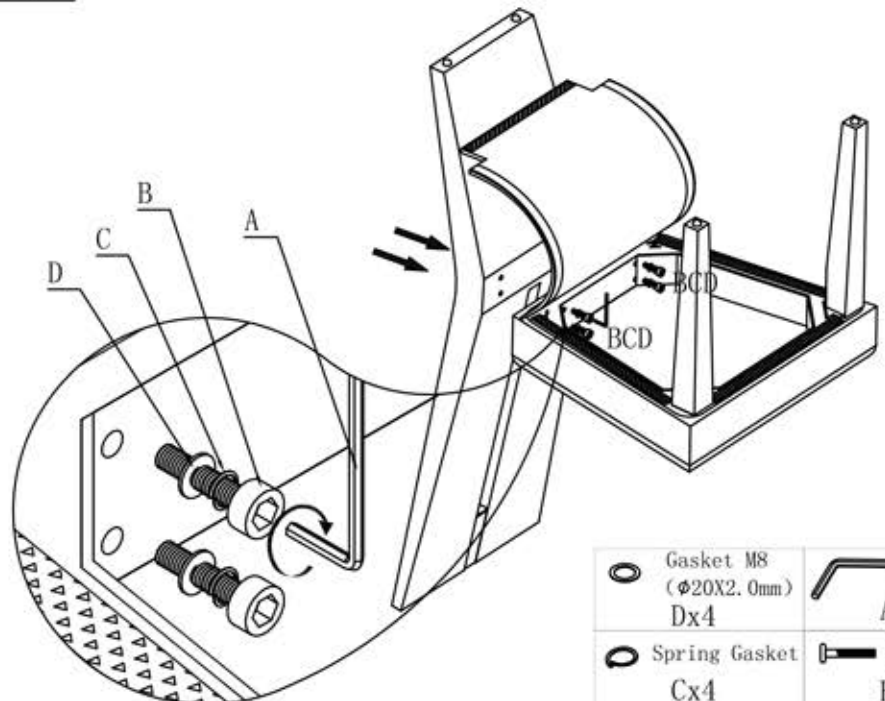
Lift the fabric and take out 4 legs & hardware, then fix the legs as the above diagram



STEP3



STEP2



- Gasket M8 (φ20X2.0mm) Dx4
- Spring Gasket Cx4
- Ax1
- M8x50 Bx4