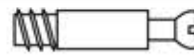


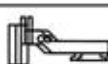
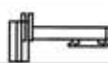
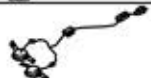


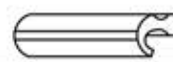









No	Part	Qty
1	Ringt Side panel	1
2	Top panel	1
3	Back panel	2
4	Soleplate bottom	1
5	Shelf support	1
6	Shelf support	1
7	Top moulding	1
8	Siding	2
9	Glass door	2
10	Glass door	2
11	Glass shelf	4
12	Left Side panel	1

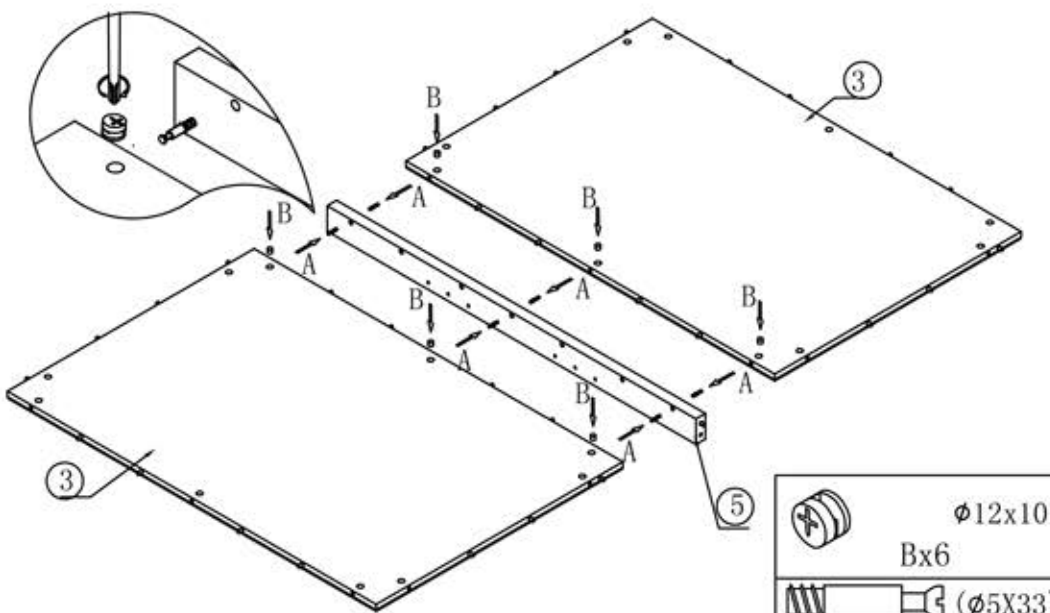
No	Part	Qty
A	 Quickfit (Ø5X33)	42
B	 Cam Ø15x12	46
C	 Quickfit Ø7x66	2
D	 Spring hinge (Ø26)	6
E	 Spring hinge (Ø26)	6
F	 Concealed lamp	1
G	  Screw Ø4x16	36
H	 Handles 180mm	4
I	  Screw M4x12	8
J	 Plastic Cushion	8
K	 Gasket	8
L	 Shelf support for glass	16
M	 No-bump plastic	4
N	 Ø30 Soft fabric	6


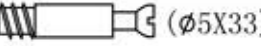


- Please check contents and read instructions before commencing assembly.
- Please use a soft mat to avoid damaging during assembly
- Assemble this article following the enclosed instructions carefully.

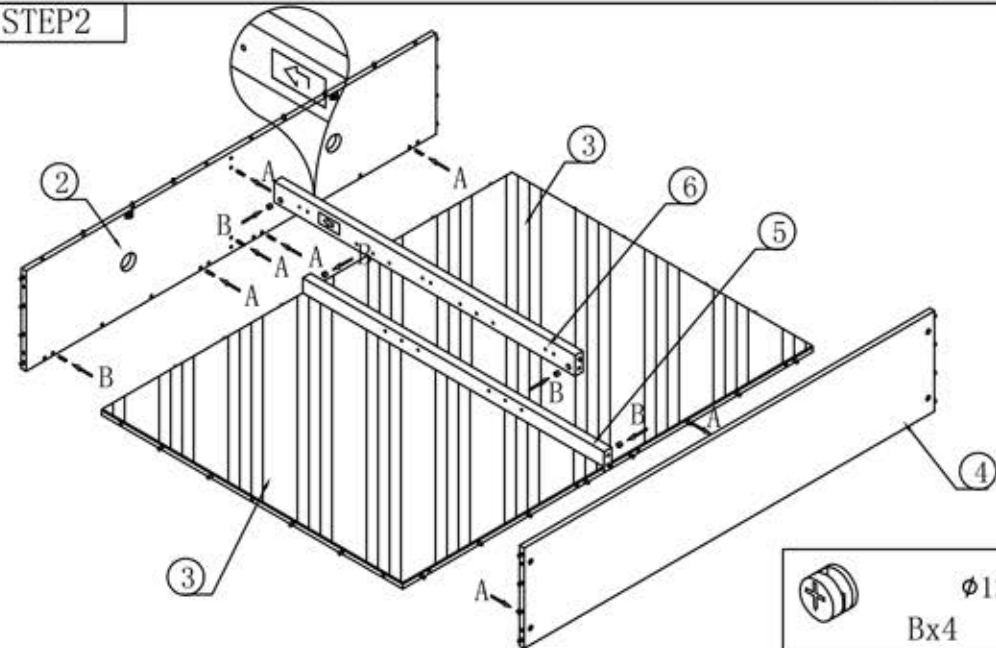
45min



STEP1



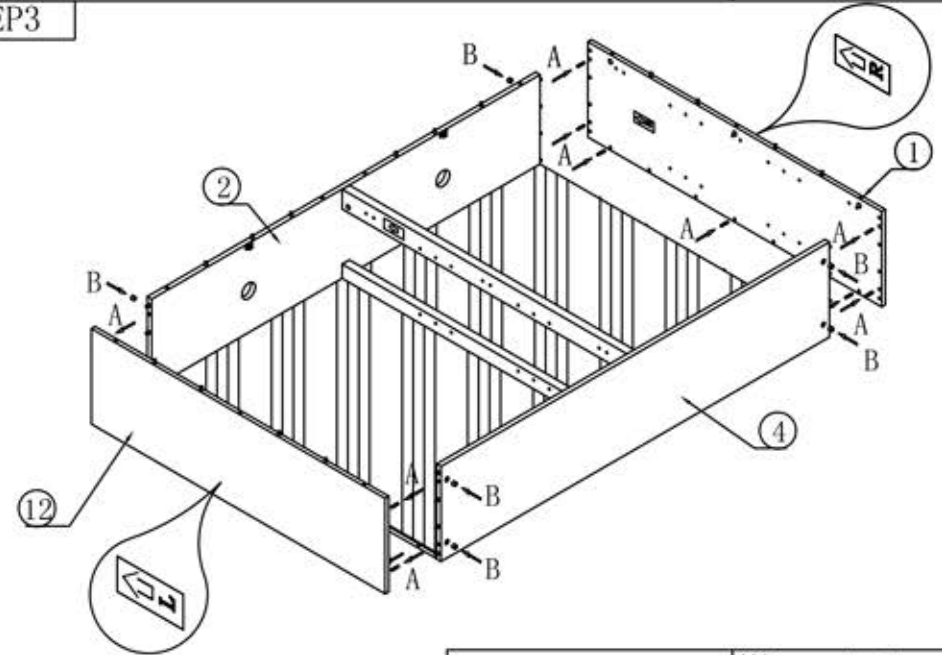
-   $\phi 12 \times 10$   
Bx6
-  ( $\phi 5 \times 33$ )  
Ax6



STEP2



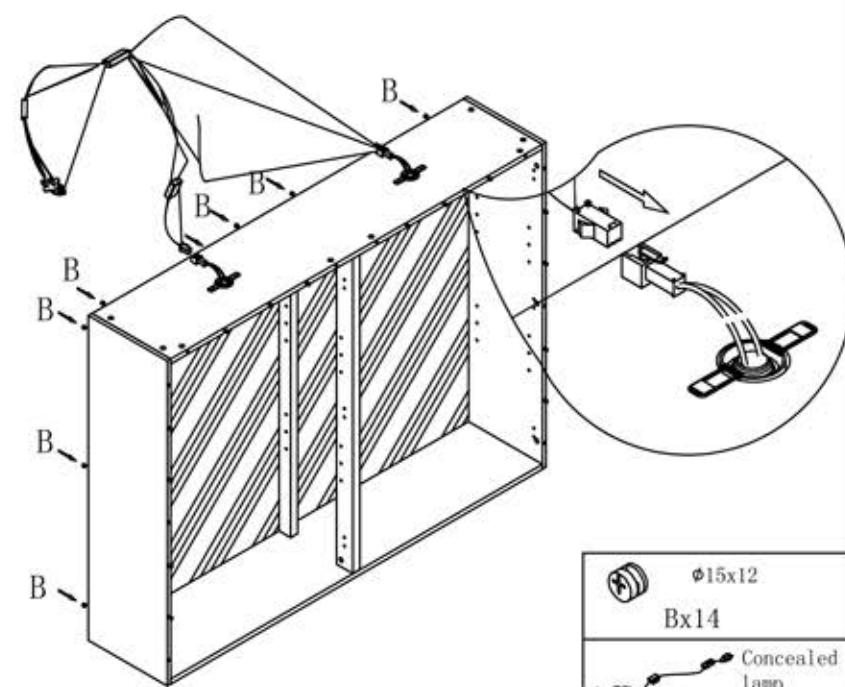
-   $\phi 12 \times 10$   
Bx4
-  ( $\phi 5 \times 33$ )  
Ax12



STEP3



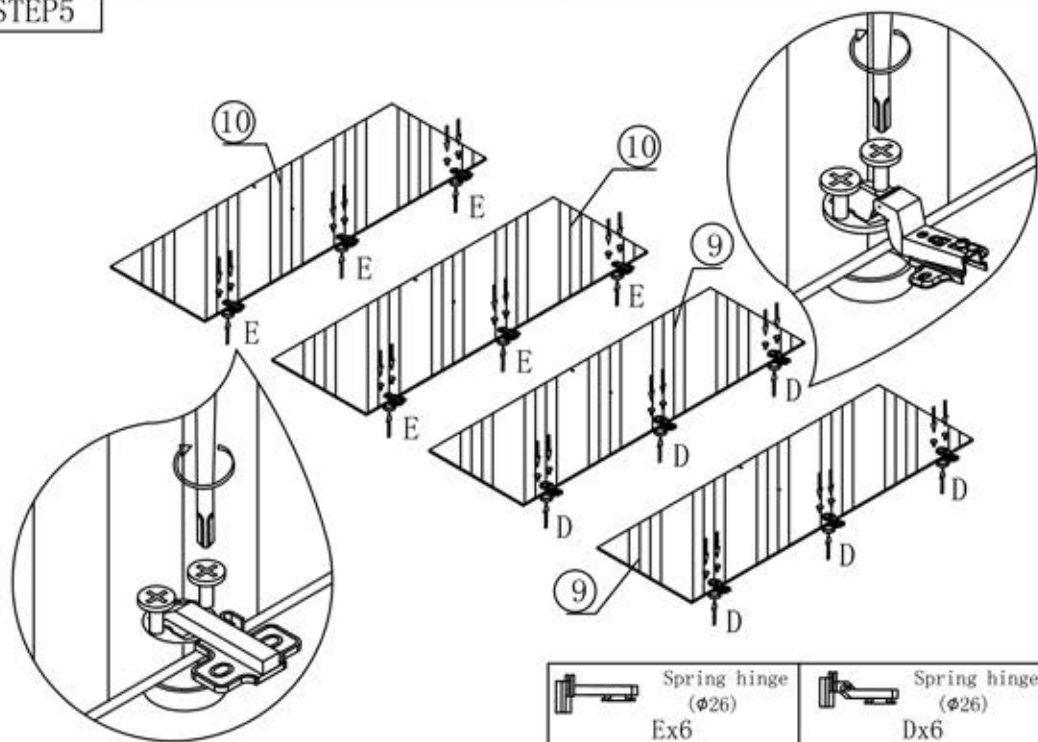
-   $\phi B 15 \times 12$   
Bx8
-  ( $\phi 5 \times 33$ )  
Ax14

STEP4

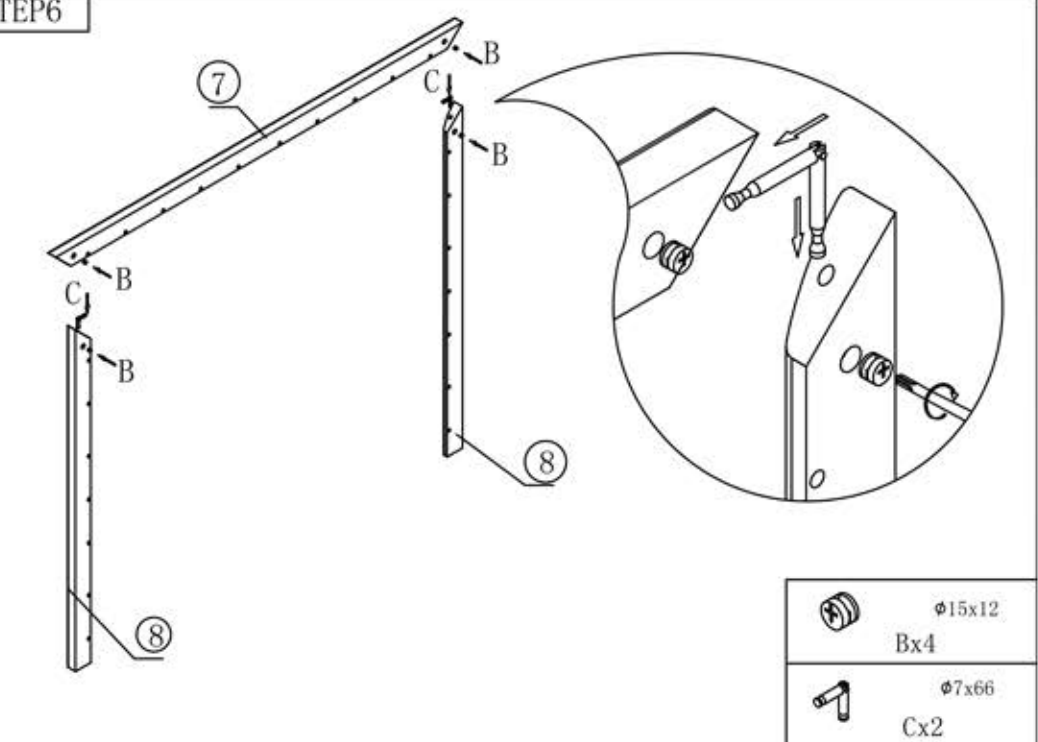


-   $\phi 15 \times 12$   
Bx14
-  Concealed lamp  
FX1

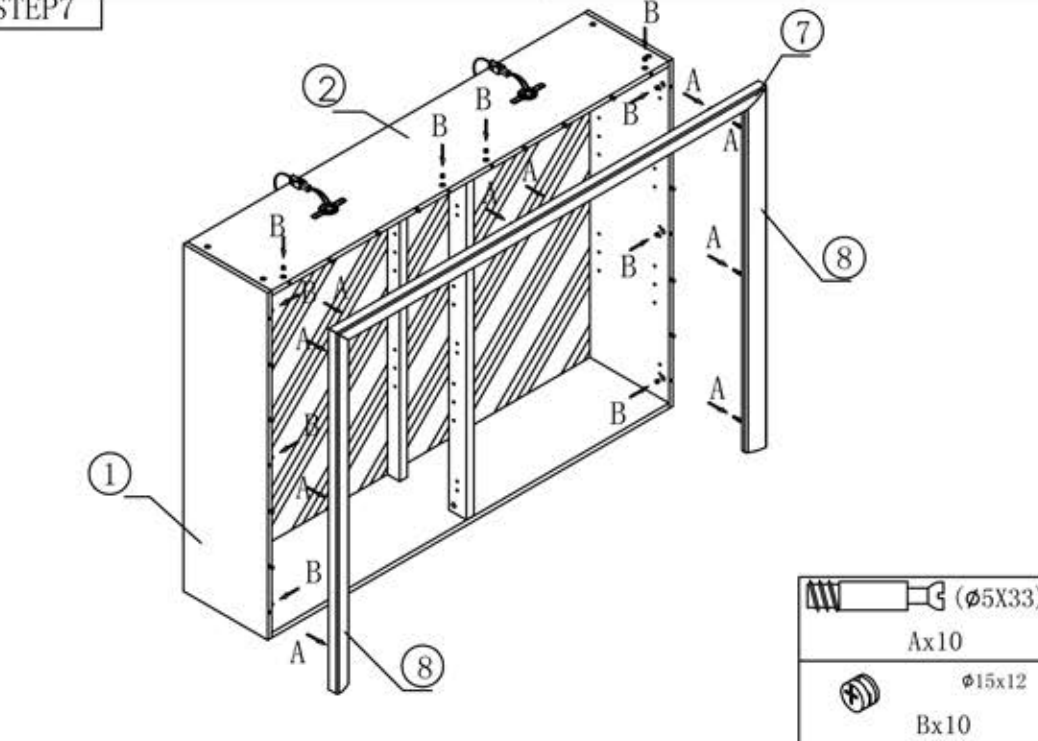
STEP5



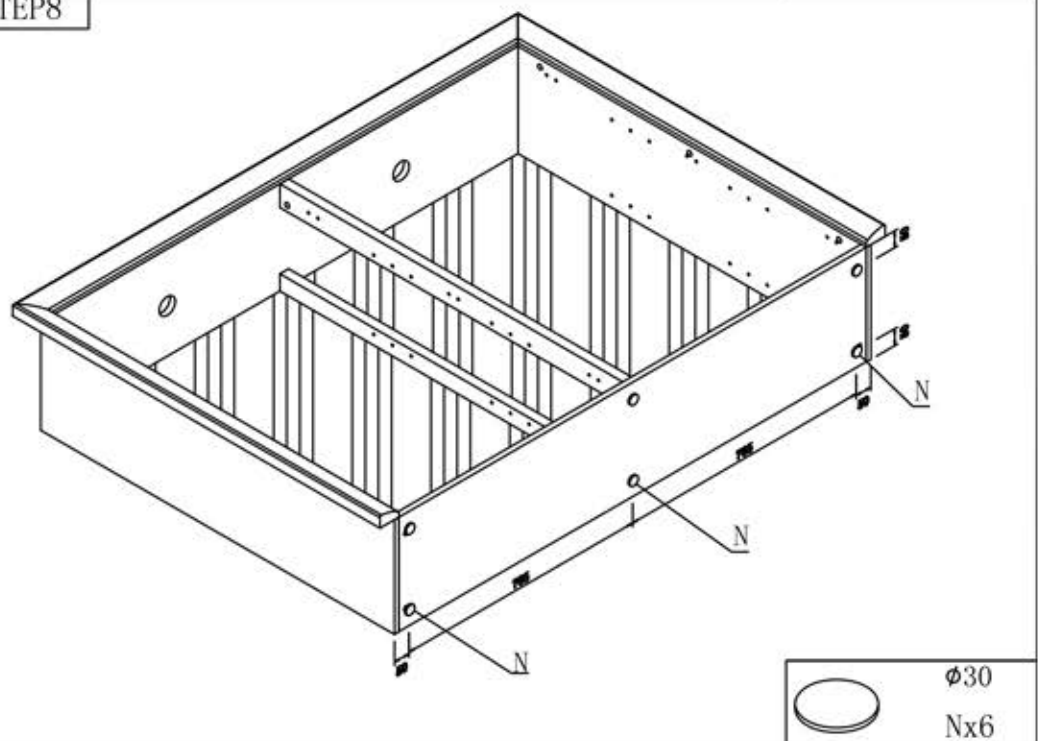
STEP6



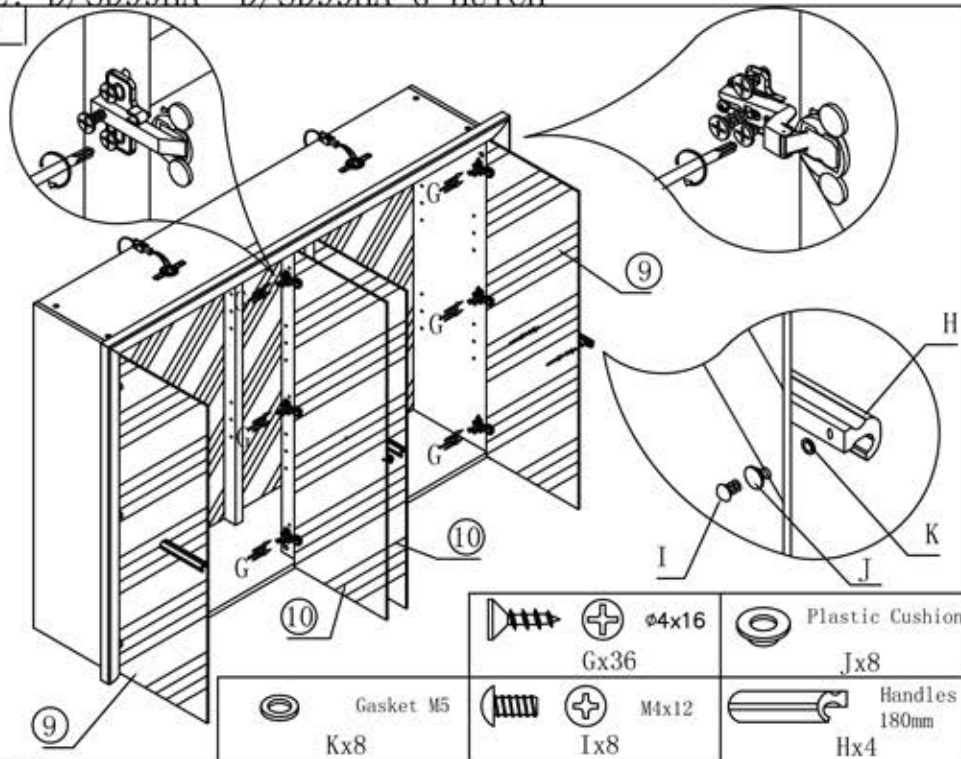
STEP7



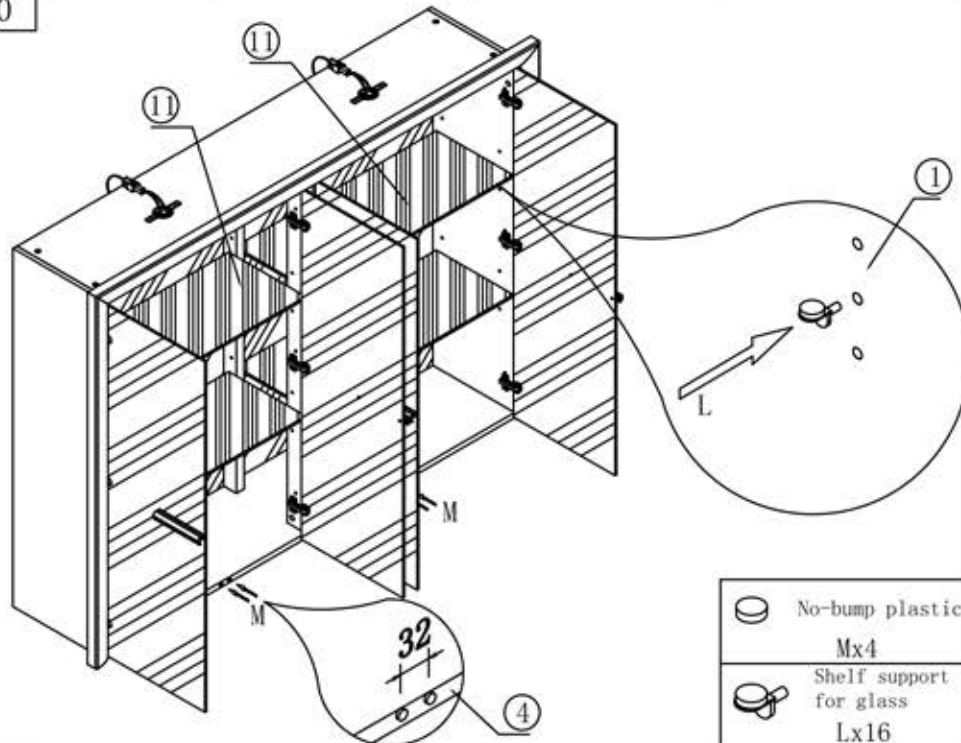
STEP8



STEP9



STEP10



STEP11

