

No	Part	Qty
1	Side panel	2
2	Top panel	1
3	Back panel	1
4	Pedestal	1
5	Shelf	1
6	Siding	2
7	Top moulding	1
8	Glass Door	2
9	Glass shelf	3
10	Drawer front panel	1
11	Drawer side panel	2
12	Drawer back panel	1
13	Drawer bottom panel	1
14	Support for bottom panel	1

No	Part	Qty
A	Drawer Slides (14")	1
B	Screw $\phi 6 \times 10$	6
C	Screw $\phi 3.5 \times 12$	8
D	Angle iron	8
E	Screw $\phi 4 \times 16$	44
F	Screw $\phi 4 \times 35$	6
G	Screw $\phi 3 \times 16$	4
H	Handles 360mm	1
I	Screw M4x22	2
J	Quickfit ($\phi 5 \times 33$)	43
K	Cam $\phi 15 \times 12$	47
L	Quickfit $\phi 7 \times 66$	2
M	Concealed lamp	1
N	Spring hinge ($\phi 26$)	6
O	Screw $\phi 4 \times 20$	6
P	Handles 180mm	2
Q	Screw M4x12	4
R	Plastic Cushion	4
S	Gasket	4
T	Shelf support for glass	12
U	No-bump plastic	4
V	Metal piece	2

- Please check contents and read instructions before commencing assembly.
- Please use a soft mat to avoid damaging during assembly
- Assemble this article following the enclosed instructions carefully.

60min

STEP1

	\oplus $\phi 3.5 \times 12$	Cx2
	\oplus $\phi 6 \times 10$	Bx6
	14"	Ax1

STEP2

	\oplus $\phi 3.5 \times 12$	Cx6
	Handles	Hx1
	$\phi 15 \times 12$	Kx6
	\oplus $\phi 4 \times 35$	Fx6
	\oplus M4x22	Ix2
	$\phi 5 \times 33$	Jx6

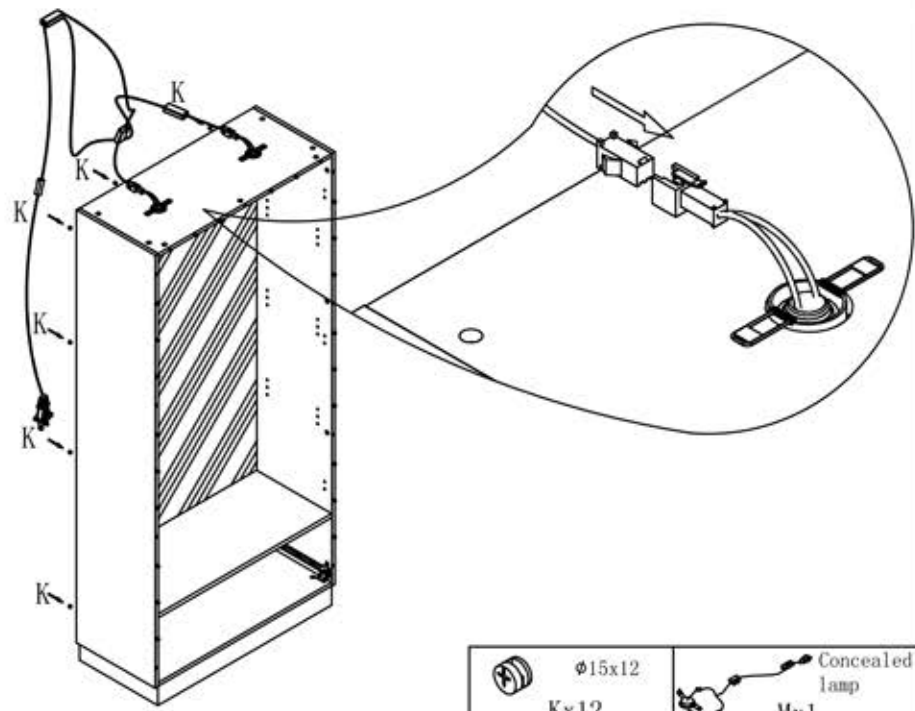
STEP3

	\oplus $\phi 4 \times 16$	Ex16
	Angle iron	Dx8

STEP4

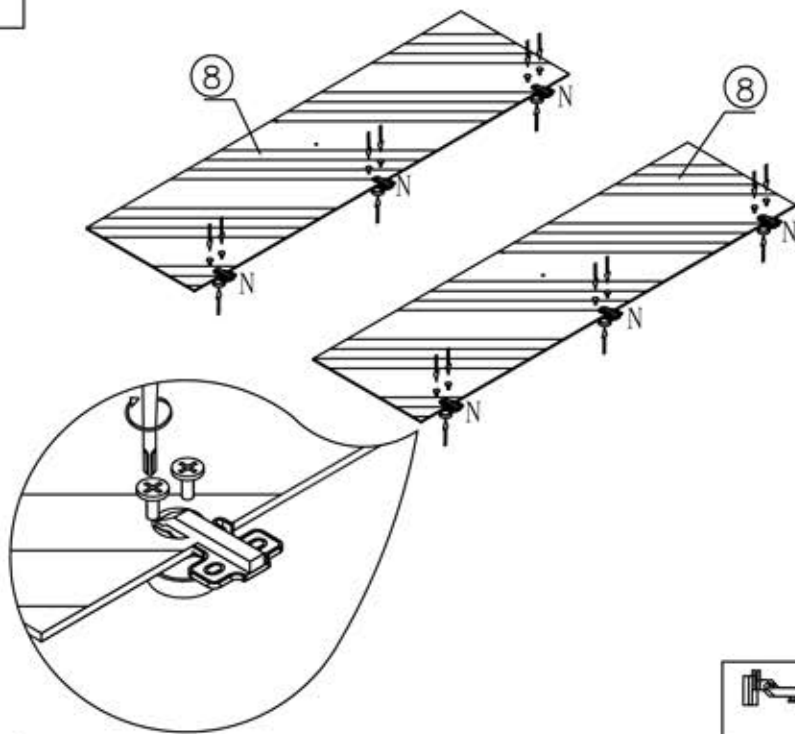
	\oplus $\phi 4 \times 16$	Ex16
	$\phi 15 \times 12$	Kx14
	$\phi 5 \times 33$	Jx26

STEP5



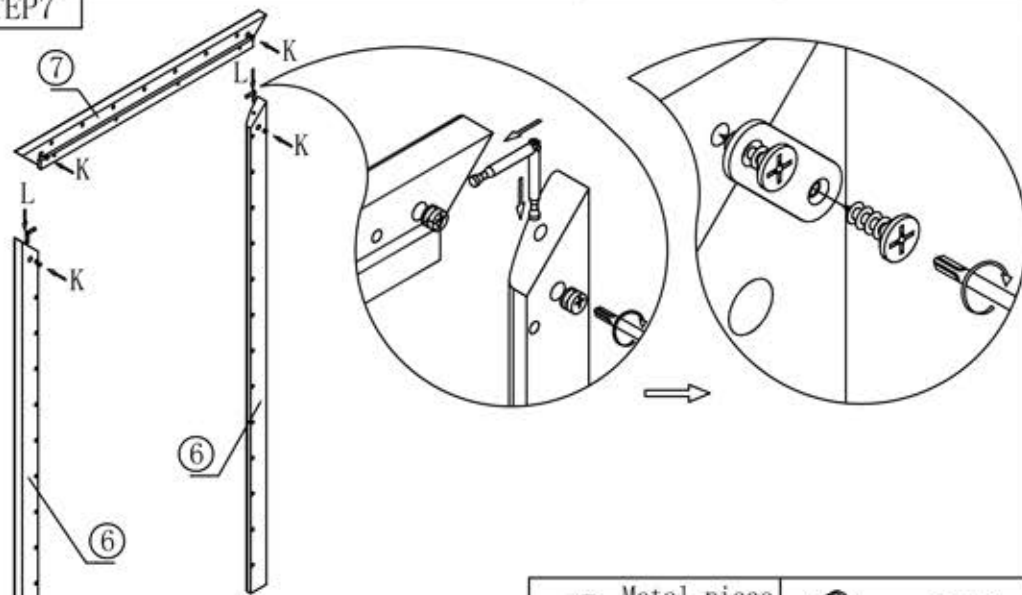
	φ15x12		Concealed lamp
	Kx12		Mx1

STEP6



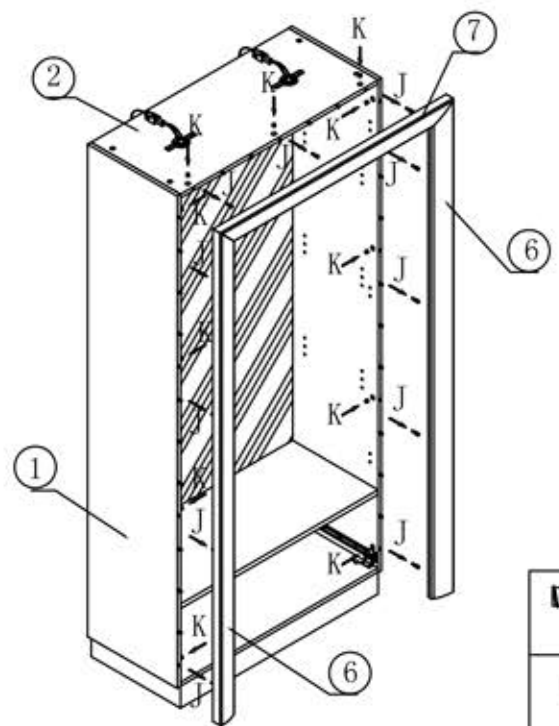
	Spring hinge (φ26)
	Nx6

STEP7



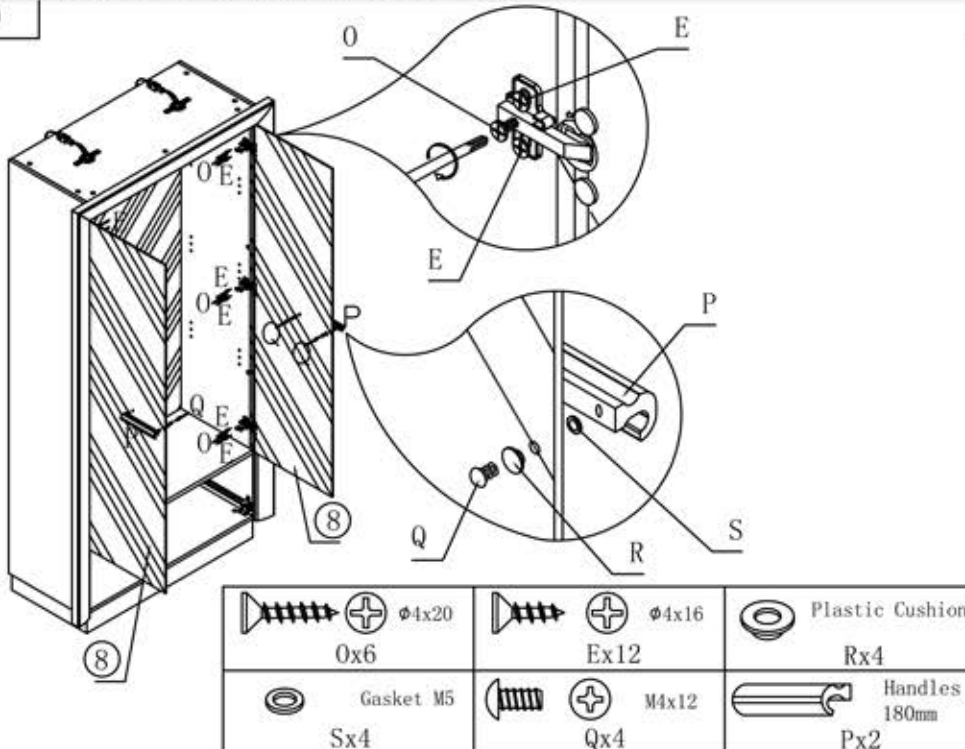
	Metal piece		φ15x12
	Vx2		Kx4
	φ3x16		φ7x66
	Gx4		Lx2

STEP8

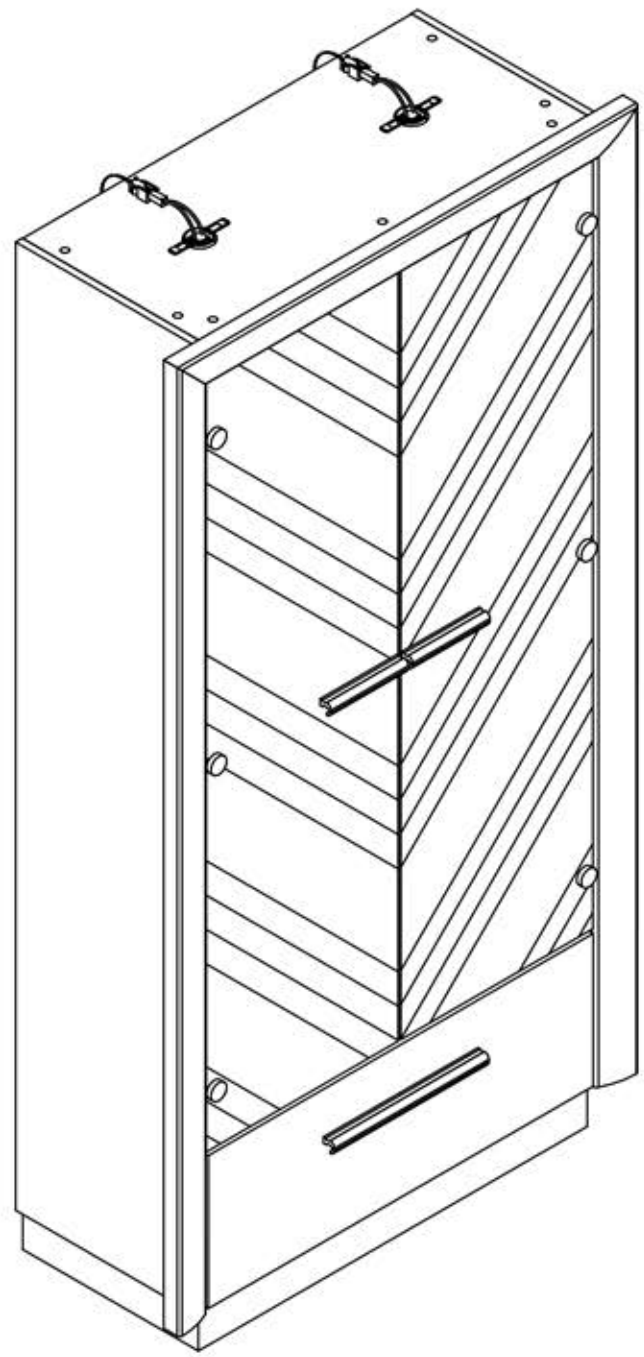


	φ5x33
	Jx11
	φ15x12
	Kx11

STEP9



STEP11



STEP10

