

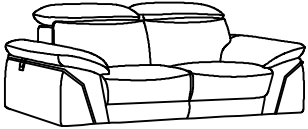


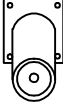
# Assembly Instruction

MODEL: 727-S

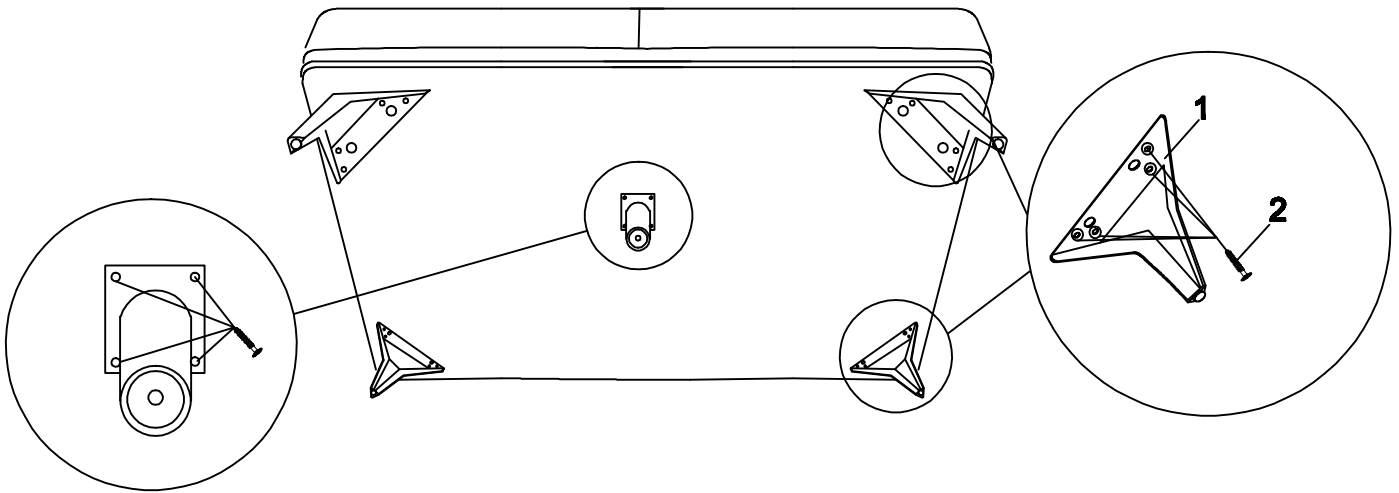
Thank you for purchasing this quality product! Make sure all components and small hardware parts are included in the package before you start to assemble the product.

## Components List

## Hardware List

Serial No.	Description and Drawing	Quantity	Serial No.	Description and Drawing	Quantity
A		1	1		4
			2		20
			3		1

### Step 1



### Step 2

