

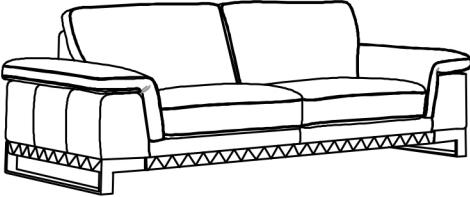
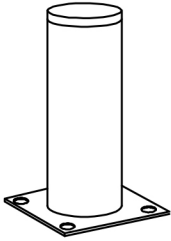
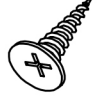
# Assembly Instruction

MODEL: 411-S

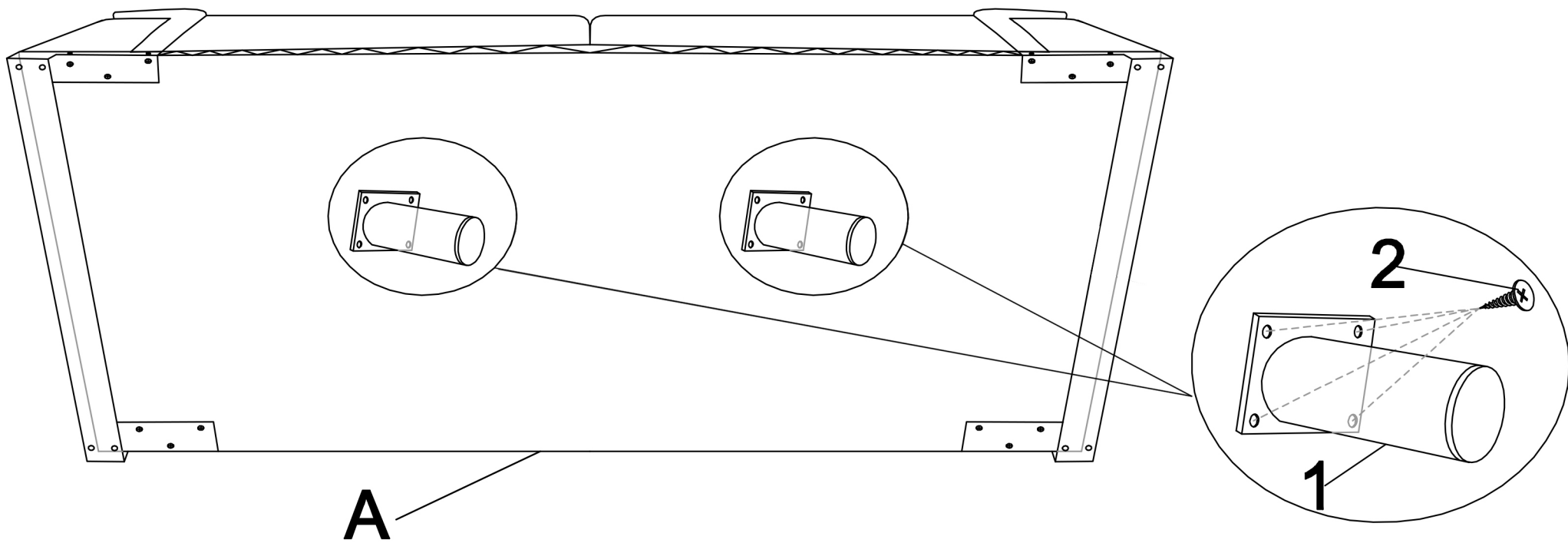
Thank you for purchasing this quality product! Make sure all components and small hardware parts are included in the package before you start to assemble the product.

## Components List

## Hardware List

Serial No.	Description and Drawing	Quantity	Serial No.	Description and Drawing	Quantity
<b>A</b>		<b>X1</b>	<b>1</b>		<b>2</b>
			<b>2</b>		<b>8</b>

### Step1



### Step2 Finished

