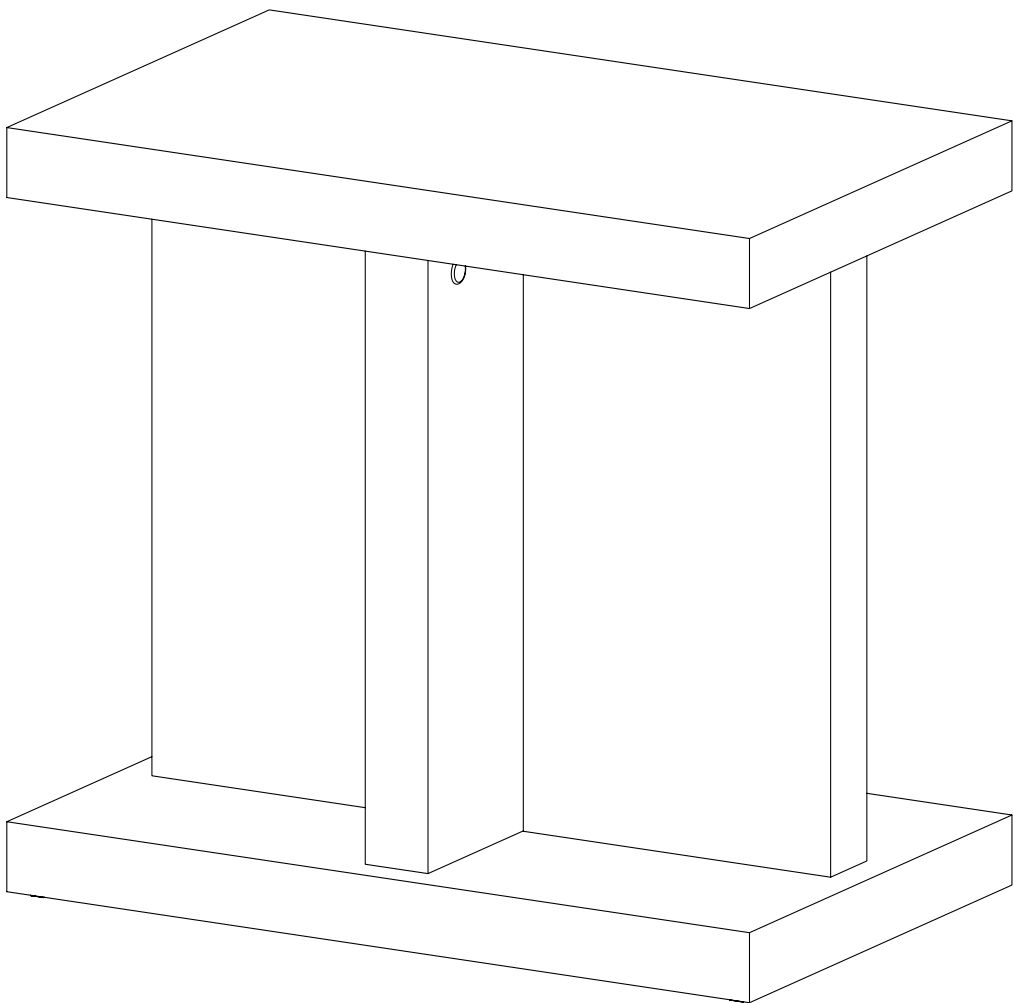
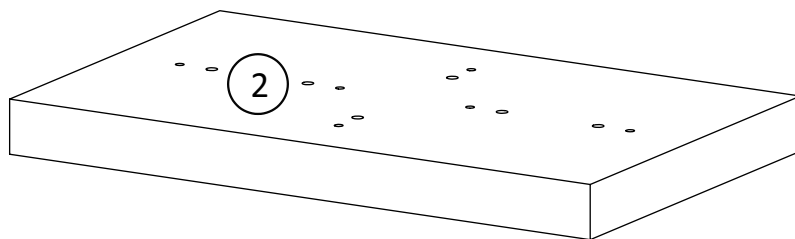
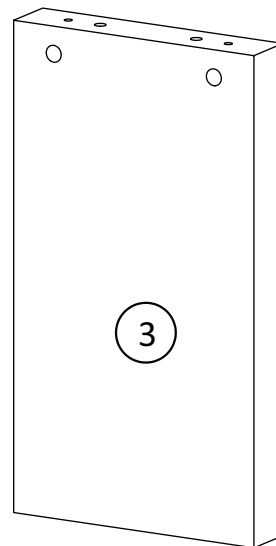
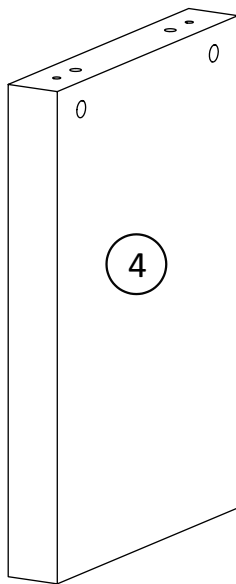
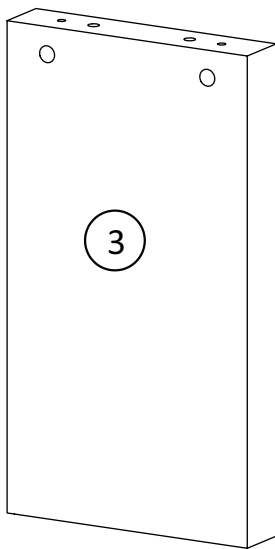
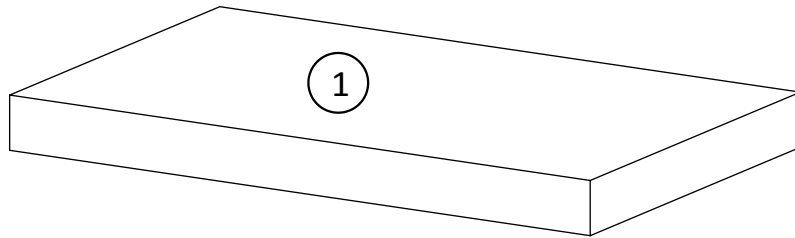
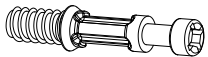

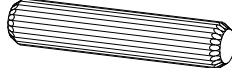
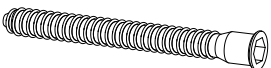


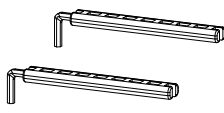


# ASSEMBLY INSTRUCTIONS

# 1340051

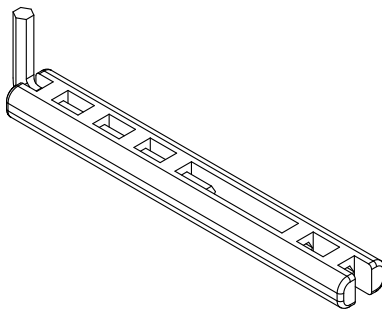




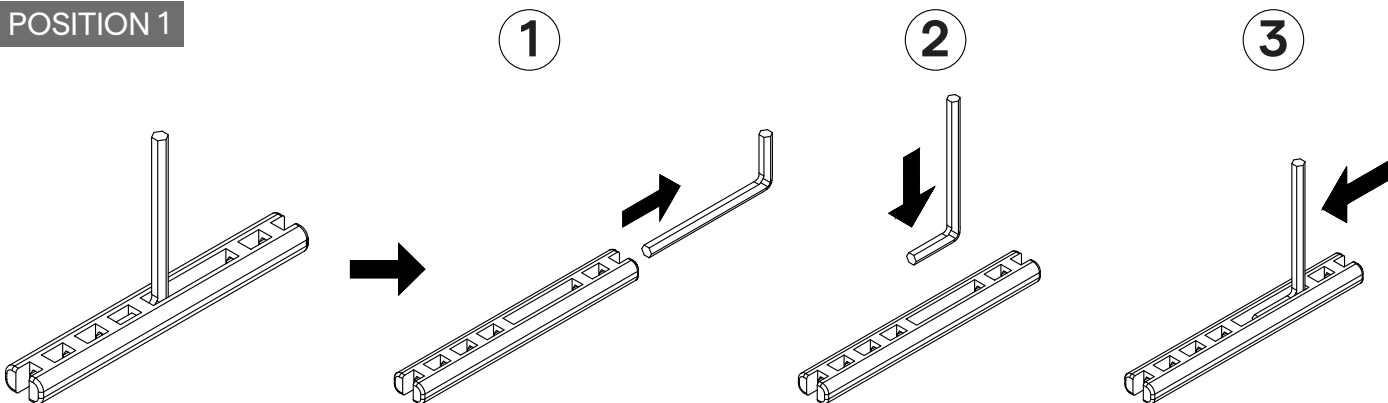
<b>A</b>  Ø6 x 35 mm x 6	<b>B</b>  Ø15 mm x 6	<b>C</b>  Ø10 x 50 mm x 12	<b>D</b>  M 7 x 70 mm x 6
<b>E</b>  Ø15 mm x 6	<b>F</b>  x 4	<b>HGL4</b>  1 SET	

 <b>SET-UP TIME : 30 MINUTES</b>	 <b>NUMBER OF PERSONS : 01</b>	 <b>TOOLS :</b>
--	---	--

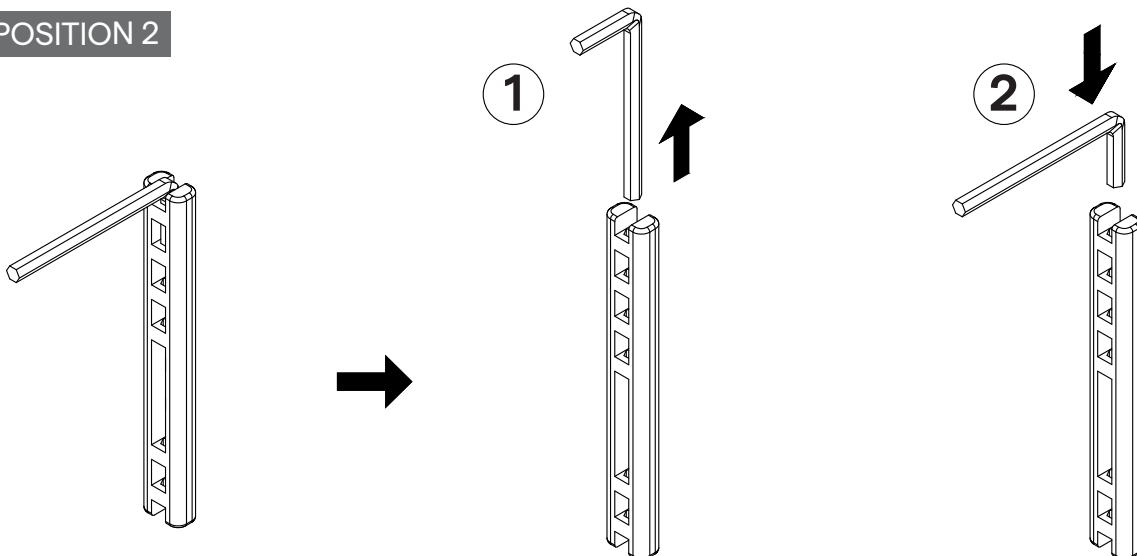
### HAND GRIP POSITION ADJUSTMENT



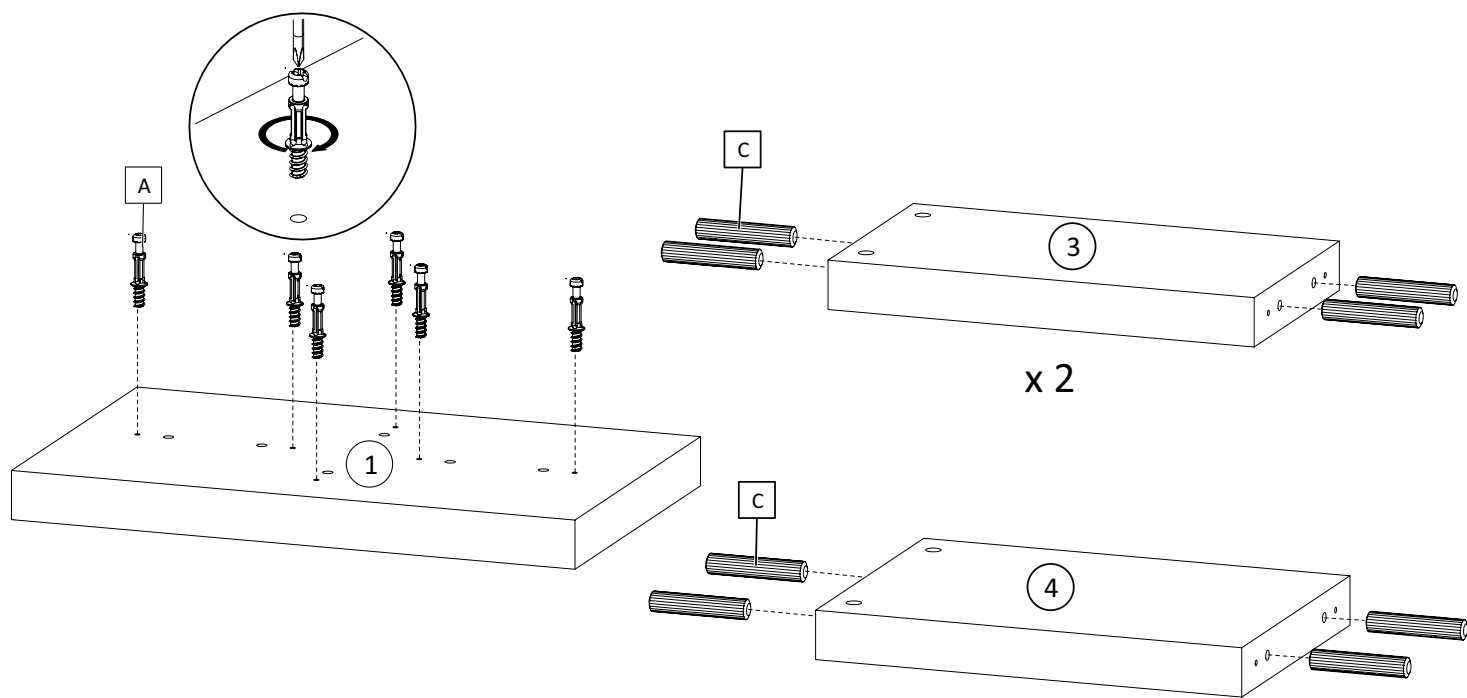
#### POSITION 1

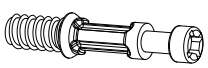
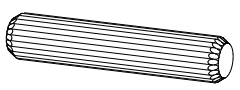


#### POSITION 2

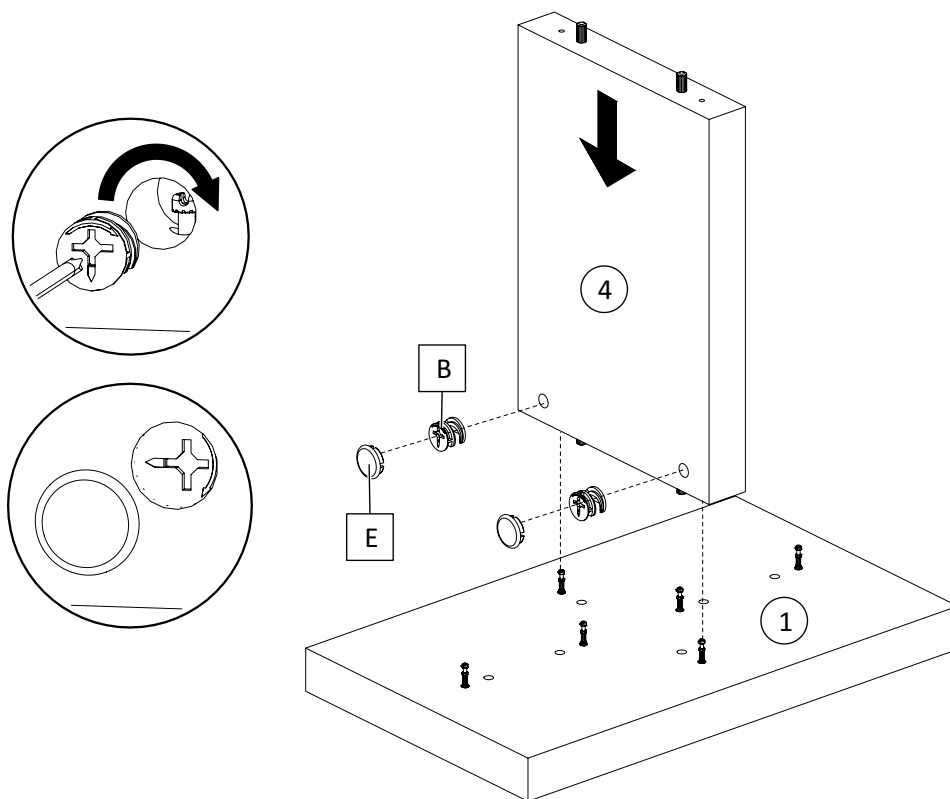



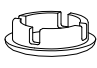
# 1

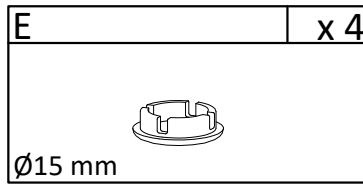
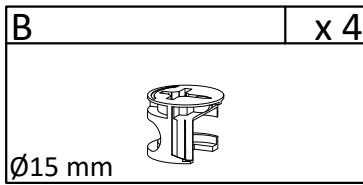
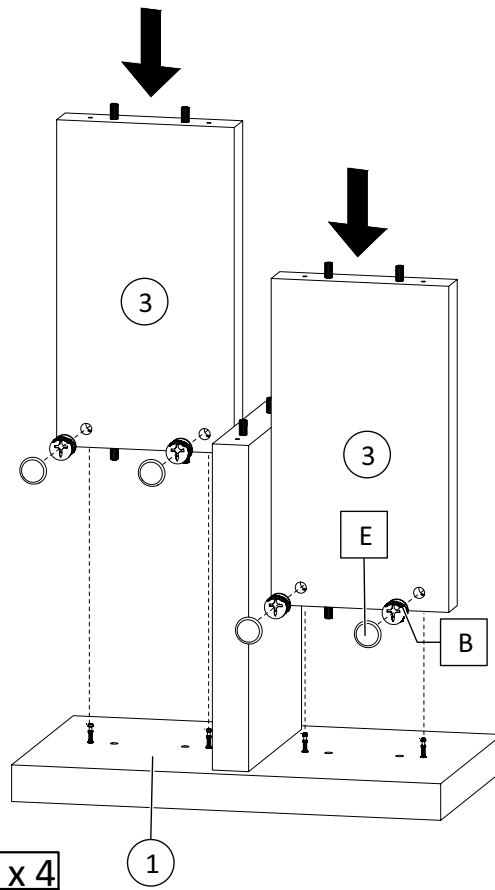
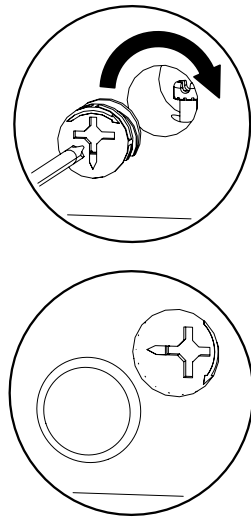
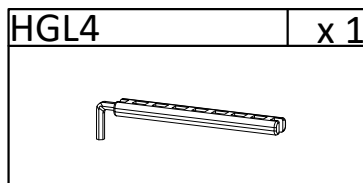
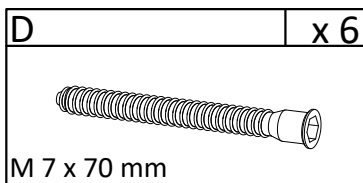
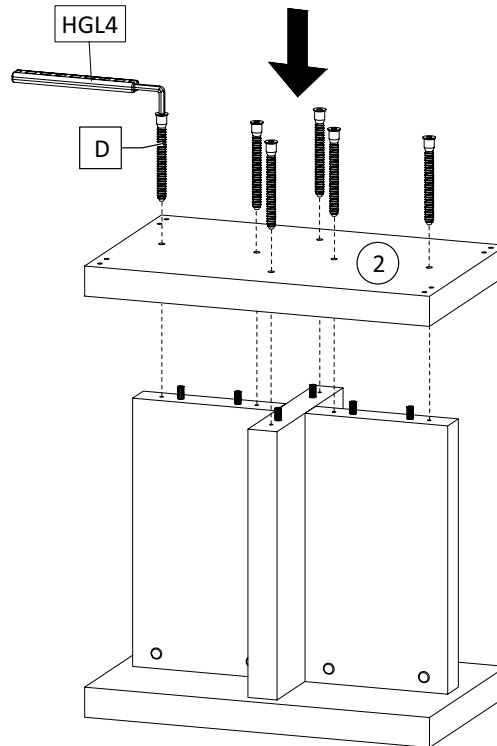
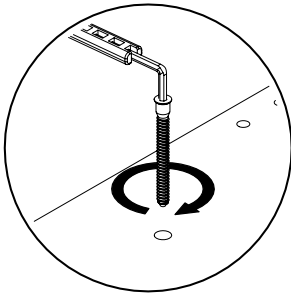


A	x 6	C	x 12
 Ø6 x 35 mm		 Ø10 x 50 mm	

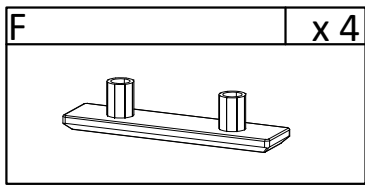
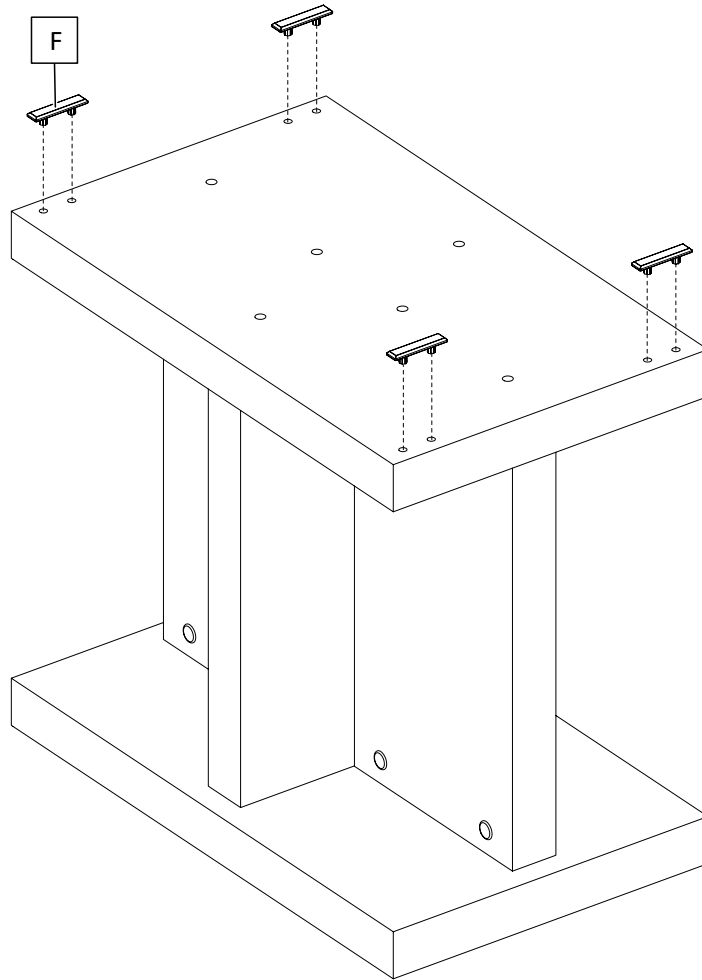
# 2



B	x 2	E	x 2
 Ø15 mm		 Ø15 mm	

**3****4**

5



6

