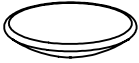



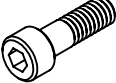

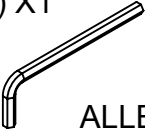
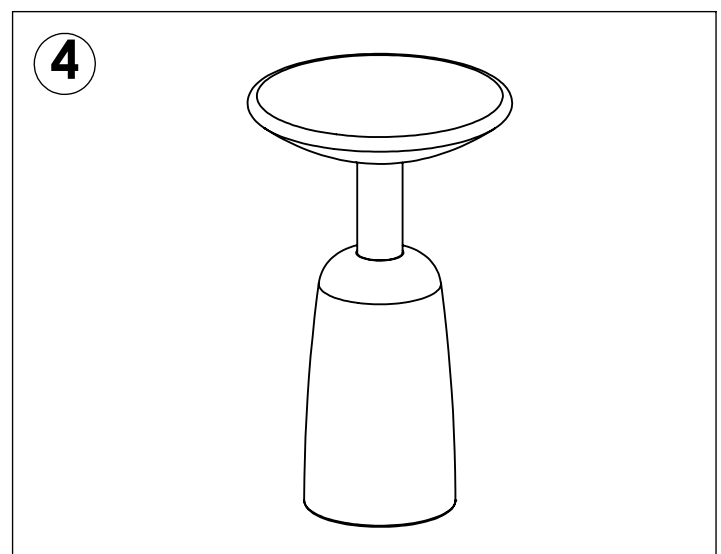
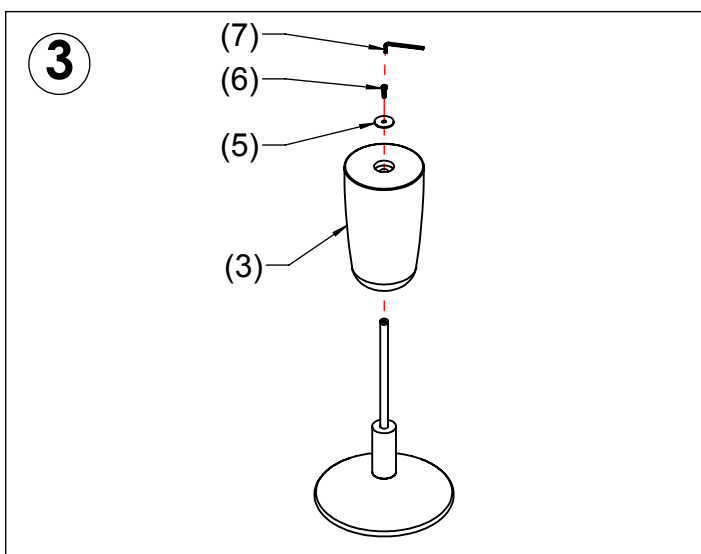
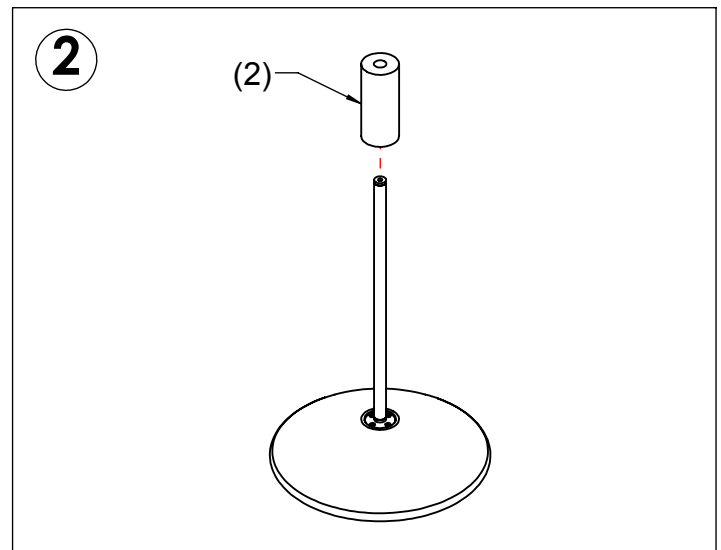
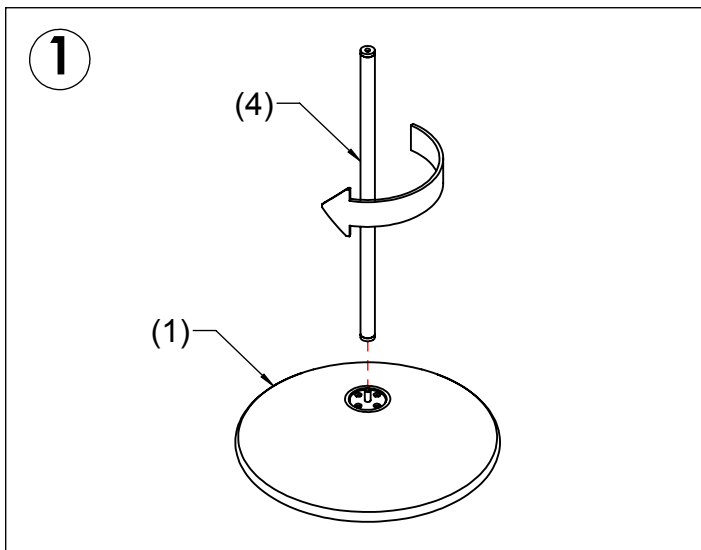


ASSEMBLY INSTRUCTIONS

Kawhi KD Trembesi Small End Table

ITEM# 1210022

PART IDENTIFICATION		HARDWARE	
(1) X1  TOP TABLE	(4) X1  LEG	(5) X1  WASHER (CUSTOM)	
(2) X1  NECK		(6) X1  ALLEN BOLT M8x25	
(3) X1  BASE		(7) X1  ALLEN KEY L6	



Note:

- Do not throw away packaging materials until assembly is complete.
- To protect the finish, assemble this item on a soft surface, such as cardboard or carpet.
- 1 people is required for proper assembly of this item.