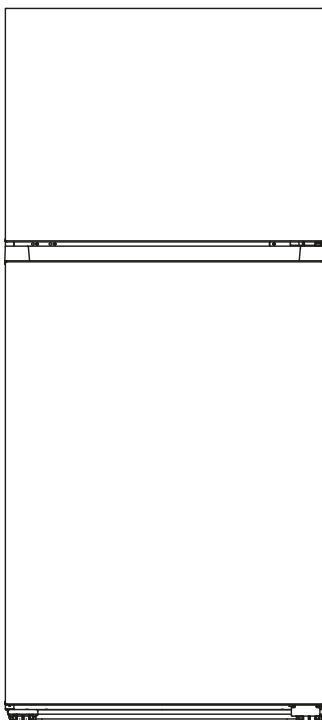




## Top Mount Refrigerator with Icemaker

MODEL: TMRI 180 S (18 cu.ft.)

TMRI 210 S (21 cu.ft.)



## OWNER'S MANUAL

---

---

Read the instructions carefully and keep for future reference



## **Warranty**

---

Conserv Appliances undertakes to the consumer-owner to repair or, at our option, to replace any part of this product which proves to be defective in workmanship or materials under normal personal, family or household use, in the USA and Canada, for a period of one year from the date of original purchase. For commercial use, the product is warranted for a period of 90 days. During this period, we will provide all labor and parts necessary to correct such defect, free of charge, if the appliance has been installed and operated in accordance with the written instructions with the appliance. Ready access to the appliance, for service, is the responsibility of the consumer-owner. Service would be provided from Monday to Friday between normal business hours.

## **Exclusions**

---

In no event shall Conserv Appliances be liable for incidental or consequential damages or for damages resulting from external causes such as abuse, misuse, incorrect voltage or acts of God. This warranty does not cover service calls which do not involve defective workmanship or materials covered by this warranty. Accordingly, diagnosis and repair costs for a service call which does not involve defective workmanship or materials will be the responsibility of the consumer-owner.

**Specifically, the following work is not covered under warranty and does not constitute warranty work**

**Installation e.g. - installing as built-in**

**Maintenance - e.g. cleaning appliance using solvents**

**Mishandling - e.g. breakage of shelves**

Most work is covered. The defining factor is, has the machine malfunctioned (Conserv Appliances is responsible) or has the customer omitted or done something to cause the machine to malfunction (customer is responsible). Some states do not allow the exclusion or limitation of incidental or consequential damages, so the above limitation of exclusion may not apply to you.

**WARRANTY SERVICE**

---

This warranty is given by:  
**Conserv Appliances**  
10222 Georgibelle Drive, Suite 200  
Houston, TX 77043-5249

For Service:  
Call 1-800-776-3538  
Email: [Service@ApplianceDesk.com](mailto:Service@ApplianceDesk.com)  
Web: [www.ApplianceDesk.com](http://www.ApplianceDesk.com)  
Business hours: 9:00 am - 5:00 pm weekdays

You can register your Warranty by either of the following methods:

1. Scan the QR Code



**TMRI 180 S**

- a. Open Smart Phone
- b. Open Photo
- c. Scan QR Code
- d. Click the Link



**TMRI 210 S**

2. Online at: [ApplianceDesk.com/Warranty](http://ApplianceDesk.com/Warranty)

**GENERAL**

---

Since it is the responsibility of the consumer-owner to establish the warranty period by verifying the original purchase date, Conserv Appliances recommends that a receipt, delivery slip or some other appropriate payment record be kept for that purpose.

This warranty gives you specific legal rights, and you may also have other rights which vary from State to State.

***All rights reserved. Manual subject to change without notice.***

# Safety

**Please always follow the safety precautions listed below:**



- Do not put acid or flammable or volatile materials inside the appliance.
- Do not puncture or damage refrigerant tubing.
- Unplug the unit immediately if you find any abnormal smell or smoke, and contact Customer Service.
- This appliance is not intended for use by children or persons with reduced physical, sensory or mental capabilities, or lack of experience and knowledge, unless they have been given supervision or instruction concerning use of the appliance by a person responsible for their safety. Children should be supervised to ensure that they do not play with the appliance.
- Use a dedicated power outlet and a three prong power socket, that is properly grounded.
- Secure the cord behind the unit to prevent a tripping hazard.
- Do not use extension cords or ungrounded two prong adapters.
- Do not use the power cord or plug if it is damaged.
- When removing the power plug, do not pull on the cord. Grasp the plug firmly and pull it out from the socket.
- Do not connect or disconnect plug with wet hands.
- Unplug the unit first when doing maintenance or repair.
- Keep ventilation openings free of obstructions.
- Repairs must be done only by a qualified technician.

## Safe Disposal

- Before discarding the refrigerator, remove doors in order to prevent risk of child entrapment. Leave shelves in place.
- Dispose off this appliance in accordance with local regulations.

State of California Proposition 65 Warnings:

WARNING:This product contains one or more chemicals known to the State of California to cause cancer.

WARNING:This product contains one or more chemicals known to the State of California to cause birth defects or other reproductive harm.

## Grounding Requirements

- This refrigerator must be grounded. This refrigerator is equipped with a grounding plug. The plug must be inserted into an outlet that is properly installed and grounded.
- Improper use of the grounding plug can result in a risk of electric shock. Consult a qualified electrician or service person if the grounding instructions are not completely understood or if doubt exists as to whether the refrigerator is properly grounded.

## Placement

This refrigerator is intended for household use.

- Keep flammable materials and vapors, such as gasoline, away from appliance. Failure to do so, can result in death, explosion or fire.
- This refrigerator is designed to be freestanding only, and should not be recessed or built-in.
- Keep ventilation openings on the appliance clear of obstructions.
- Place your refrigerator on a floor that is level and strong enough to support the refrigerator when it is fully loaded.
- Place your refrigerator where there is access to the required electrical connection.
- Place the refrigerator away from direct sunlight and sources of heat, such as a stove, heater or radiator.
- Don't put the appliance in a cold area.

## Recommended Clearance

Ensure there is at least 3 inches (7.6 cm) of clearance at the top, back and both sides of refrigerator.

**NOTE:** If you place the refrigerator next to a fixed wall, allow sufficient space on the hinge-side for the door to swing open.

## Installation

If the refrigerator has been in a horizontal position for any period of time, wait 24 hours to allow the refrigerant to settle before plugging in the refrigerator.

When moving the refrigerator, DO NOT tilt it beyond 45° from upright.

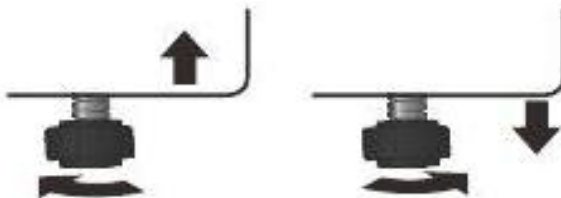
NOTE: Tilting the refrigerator more than 45° could damage the compressor and the sealed system.

## Level Refrigerator

**IMPORTANT:** Level the refrigerator for proper operation and to avoid cooling, frost and moisture problems that can occur when the door does not close properly.

1. Move the refrigerator to its final location.
2. Place a carpenter's level on the top of the refrigerator cabinet.
3. Adjust the two leveling feet, (one foot located at each of the two front corners of the refrigerator cabinet) until the refrigerator is level.

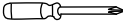
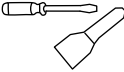


NOTE: The leveling feet are easier to adjust if you have someone push against the top front of the refrigerator to take some weight off the feet.


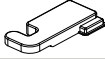

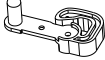



To Raise - Turn the leveling feet clockwise.

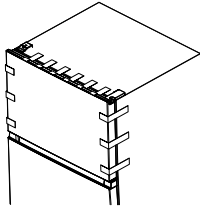
To Lower - Turn the leveling feet counterclockwise.

# Reverse the door swing

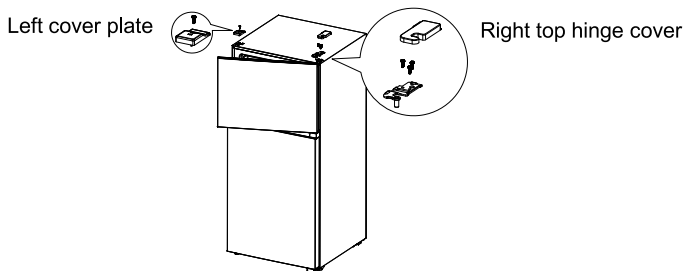
List of tools to be provided by the user			
	Phillips-head Screwdriver		Putty knife Flat-head Screwdriver
	5/16" socket and ratchet		Masking tape

Parts included with the hinge kit		
 Top left hinge (1)	 Left top hinge cover	 Sticker
 Upper door self- locking block (1)	 Left door open stopper	

1. Unplug your refrigerator and remove all food from the door shelves. Remove all food from the inner door liner. Tape the freezer door in place with masking tape.

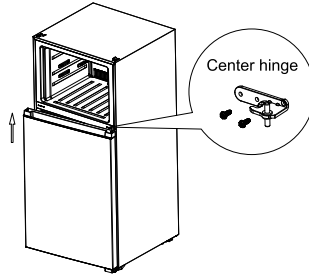


2. Remove the left cover plate and the right top hinge cover, then unscrew screws and remove the right top hinge. Keep the screws to reuse.

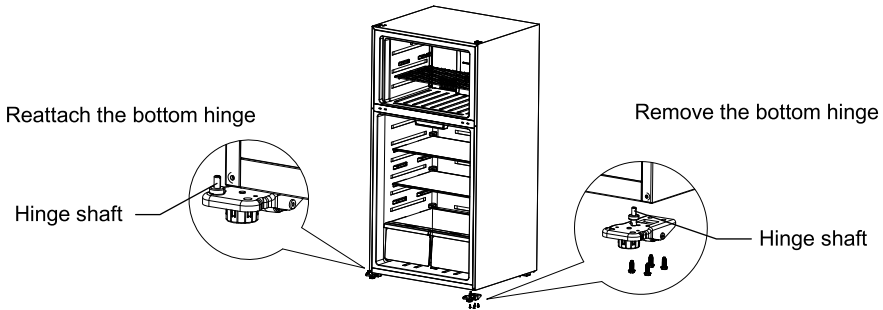




- Lift the freezer door up and away from your refrigerator.
- Unscrew screws of middle hinge, remove the hinge, then lift the refrigerator door up and away from your refrigerator.  
Save the screws to reuse.

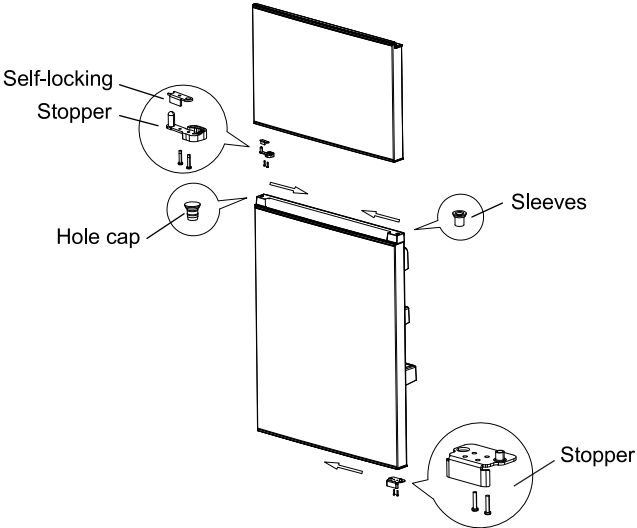


- Unscrew screws of the bottom hinge, then remove the bottom hinge from the bottom right side of the refrigerator.
- Unscrew the hinge shaft from the right side of the bottom hinge and move it to the left side, then secure the bottom hinge to the bottom left side of the refrigerator, using the screws you removed previously.



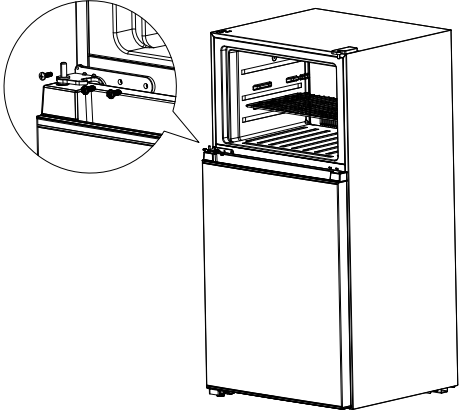
- Remove the sleeves from the top right of doors and hole cap from top left of doors, and assemble them on the opposite sides.

8. Remove the refrigerator door stopper and install it on the other side of the door. Remove the freezer door self-locking block and stopper save them to reuse take out the left self-locking block and stopper from the accessory bag in the refrigerator and installed on the left of door.

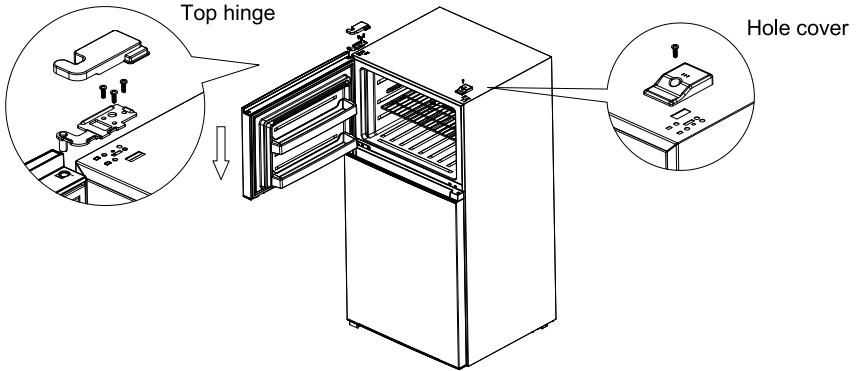


9. Put down the refrigerator door bottom hinge vertically, take out the middle hinge of the other side from the accessory bag then assemble the middle hinge on.

Attach the left center hinge



10. Put down the freezer door on the middle hinge vertically, then take out the top hinge and cover of other side from accessory bag, assemble top hinge, hinge cover and hole cover.



(The picture above is only for reference. The actual configuration will depend on the physical product.)

## Ice Maker Connection Instructions

### Tools Required:

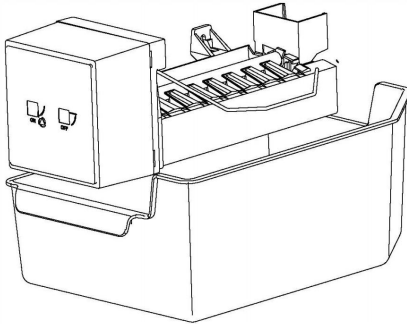
- 1/4" copper supply line with shut off valve
- 1/4" brass compression nut and ferrule
- Minimum/Maximum inlet water pressure, 138/827 kPa (20/120 PSIG)  
Connect to potable water supply only

The copper tubing and shut off valve are available in a kit from your local hardware or plumbing supply store. Coil enough tubing at the back of the unit to allow movement for cleaning.

### WARNING

Unplug the refrigerator. To eliminate the danger of electric shock during installation, you must unplug the refrigerator from its electrical outlet.

## Ice Maker



When the ice maker dumps ice into the ice box, any sounds are part of normal operation.

If ice is not dispensed for a long period of time, it may clump in the Ice bin. If this occurs, please remove all the ice and empty the bin.

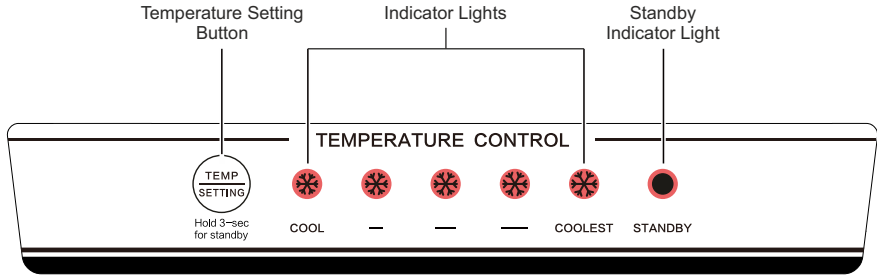
In case of prolonged absence and no ice maker use, close the water valve to prevent leaks. It is recommended that the first several ice charges be discarded to ensure the highest quality of ice.

Do not store cans or containers that will burst when frozen.


### **CAUTION:**

Do not allow children to touch the ice maker. This could cause injury.

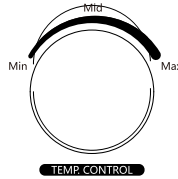
# Controls



## Refrigerator Temperature Setting

Once initially powered on, all the lights will be illuminated for 3 seconds. There are 5 temperature settings, ranging from cool (least cold) to coolest. Press the Temperature Setting button  to select the level of cold. Each time you press the button, the indicator light will illuminate for the setting selected. The default setting is medium cold in the middle (3rd light).

## Freezer Temperature Setting



Turn the temperature dial for the freezer from Min, Mid and Max to select the level of cold in the freezer, with Max being the coldest setting.

## Standby Mode

The standby mode is meant only for product display in a store. When the Standby Indicator Light is on, the compressor and fan motor are not working, the unit is not cooling, but the control panel is illuminated.

# Maintenance

## Cleaning

- Always remove all items and unplug the unit before cleaning.
- Clean inside, behind and around the refrigerator regularly, using water and mild detergent, and a damp cloth (not wet).
- Never use boiling water, harsh cleaning chemicals or abrasive materials.
- Clean the door gasket regularly to ensure that the door closes and seals properly.
- Dry all surfaces thoroughly.
- Manual defrosting is not necessary as this appliance has an auto defrost function.

## Extended Absence

- If the unit will be switched off for a long time, remove all items, turn off the appliance and clean the unit thoroughly.
- Leave the door open and place the unit in a well ventilated area to avoid build up of odor.

## Technical Specifications

Model No.	TMRI 180 S	TMRI 210S
Capacity	18 cu.ft.	21 cu.ft.
Electrical	115 V ~ 60 Hz	
Power Cord Length	5 ft. 6 in.	
Product Weight	166 lbs	179 lbs
Product Dimension HxWxD (Inch)	66.4" x 29.5" x 30.75"	66.4" x 32.7" x 30.75"

# Troubleshooting

Before calling for service, please check the following issues first

PROBLEM	POSSIBLE CAUSE
Doesn't work	<ul style="list-style-type: none"> <li>• Power is not on or the unit is not connected to power</li> <li>• Low voltage</li> <li>• A fuse may be blown or the circuit breaker tripped</li> <li>• Plug not fully inserted into the wall outlet</li> </ul>
Internal temperature not cold enough	<ul style="list-style-type: none"> <li>• Temperature setting is too warm</li> <li>• Door is not shut properly or opened frequently</li> <li>• Exhaust vent is obstructed</li> <li>• A large quantity of warm food has been placed in the unit</li> <li>• Close proximity to heat source or direct sunlight</li> <li>• Ambient temperature or humidity is very high</li> </ul>
Appliance runs continuously	<ul style="list-style-type: none"> <li>• Temperature setting is too cold</li> <li>• Door not shut properly or opened frequently</li> <li>• Exhaust vent is obstructed</li> <li>• A large quantity of warm food has been placed in the unit</li> <li>• Close proximity to heat source or direct sunlight</li> <li>• Ambient temperature or humidity is very high</li> </ul>
Internal temperature is too cold	<ul style="list-style-type: none"> <li>• Temperature setting is too cold</li> </ul>
Noises	<ul style="list-style-type: none"> <li>• Parts are expanding and / or the refrigerant is circulating; this is normal</li> <li>• Floor is not flat, and the unit is not placed in a stable position.</li> </ul>
Doors cannot be closed properly	<ul style="list-style-type: none"> <li>• The door is obstructed by items inside the unit.</li> <li>• The door gasket is not providing a good seal. Heat the gasket with a hair dryer.</li> </ul>

## The following phenomenon is normal

- The sound like a rivulet is caused by the refrigerant flowing inside of the system pipe.
- While the unit runs, heat is emitted from both sides of the cabinet.
- When the environment is too humid, the edges around door may have a little moisture. Simply wipe it with a dry cloth.

