



Garbage Disposer

Model: GD 075



OWNER'S MANUAL

Please read the instruction carefully and keep for future reference.
Information may be updated from time to time so please refer to
the website for the latest version of the manual.

Warranty

Equator Appliances undertakes to the consumer-owner to repair or, at our option, to replace any part of this product which proves to be defective in workmanship or material under normal personal, family or household use, in USA and Canada, for a period of one year from the date of original purchase. For commercial use, the product is warranted for a period of 90 Days. During this period, we will provide all labor and parts necessary to correct such defect, free of charge, if the appliance has been Installed and operated in accordance with the written instructions with the appliance. Ready access to the appliance, for service, is the responsibility of the consumer-owner. Services would be provided from Monday to Friday between normal business hours.

Exclusions

In no event shall Equator Appliances be liable for incidental or consequential damages or for damages resulting from external causes such as abuse, misuse, incorrect voltage or acts of God. This warranty does not cover service calls which do not involve defective workmanship or materials covered by this warranty. Accordingly, diagnosis and repair costs for a service call which does not involve defective workmanship or materials will be the responsibility of the consumer-owner.

Most work is covered. The defining factor is, has the machine malfunctioned (Equator Appliances is responsible) or has the customer omitted or done something to cause the machine to malfunction (customer is responsible). Some states do not allow the exclusion or limitation of incidental or consequential damages, so the above limitation of exclusion may not apply to you.

WARRANTY SERVICE

This warranty is given by:

Equator Appliances

10222 Georgibelle Drive, Suite 200
Houston, Texas 77043-5249

For Service:

Call: 1-800-776-3538

Email: service@ApplianceDesk.com

Web: www.ApplianceDesk.com

Business hours: 9:00 am to 5:00 pm weekdays

You can register your Warranty by either of the following methods:

1. Scan QR Code

QR Code



1. Open Smart Phone
2. Open Camera
3. Scan QR Code
4. Click the Link

2. Register online at ApplianceDesk.com/Warranty

GENERAL

Since it is a responsibility of the consumer-owner to establish the warranty period by verifying the original purchase date, Equator Appliances recommends that a receipt, delivery slip or some other appropriate payment record be kept for that purpose.

This warranty gives you specific legal rights, and you may also have other rights which vary from State to State.

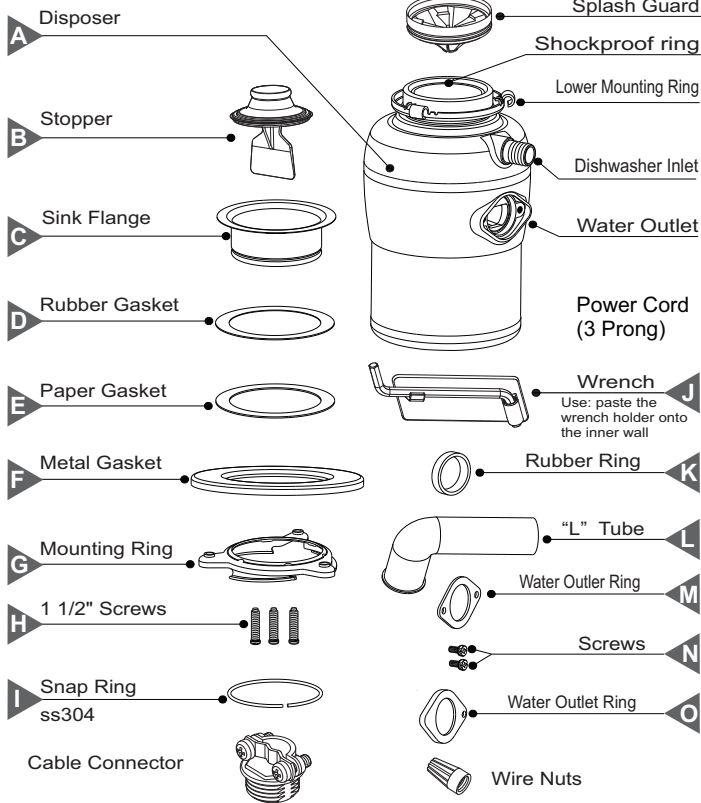
All rights reserved. Manual subject to change without notice.

Safety

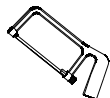
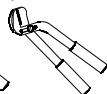
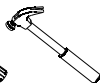
- Ensure the power cord of the garbage disposer enters the enclosure through a watertight fitting or is sealed in place.
- Ensure the garbage disposer has a strain relief, independent of the seal, and which reduces the risk of flexing or movement of the seal.
- Ensure the face of the receptacle is flush with or extends beyond a nonconductive surrounding surface or extends at least 0.015 inches (0.38 mm) beyond a conductive surrounding surface.
- Ensure that the strain relief can withstand for 1 minute, without displacement, a direct pull of 35 lbs. applied to the cord.

Save these instructions.

Parts Included:

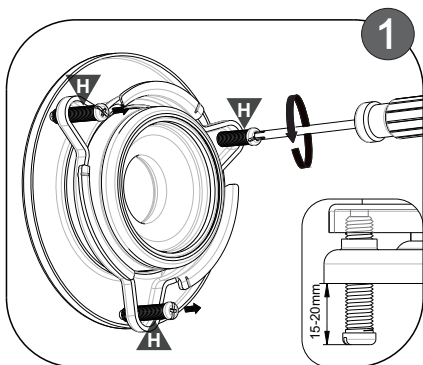


Tools and Materials (not included)

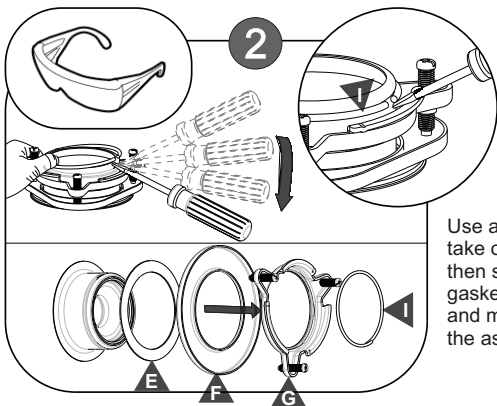


Installation Instructions

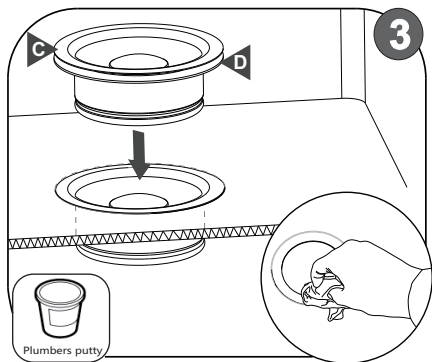
⚠ WARNING: Before installation disconnect the power supply.



Loosen the three screws on the mounting assembly, get them out about 0.6 - 0.8 inch (15-20mm).

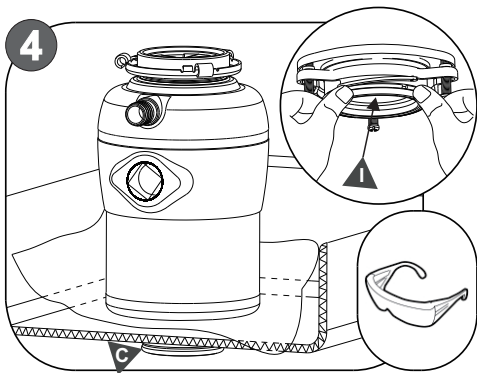


Use a flat head screw to take out the snap ring (I), then separate the paper gasket (E), metal gasket (F), and mounting ring (G) from the assembly.

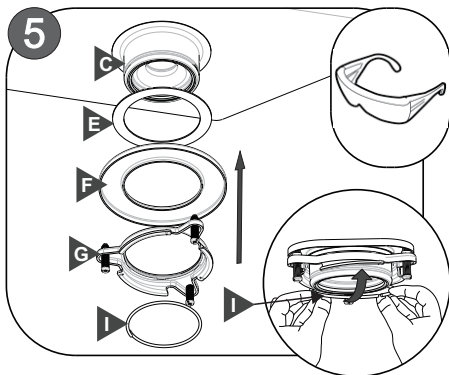
**3**

Take out the paper gasket (E) and put it aside, put the gasket (D) onto the sink flange (C), then press it firmly onto the sink drain as shown.

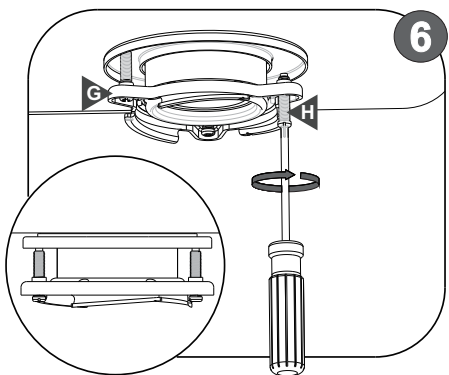
Evenly apply 1/2" thick rope of plumber's putty around sink flange (C).

**4**

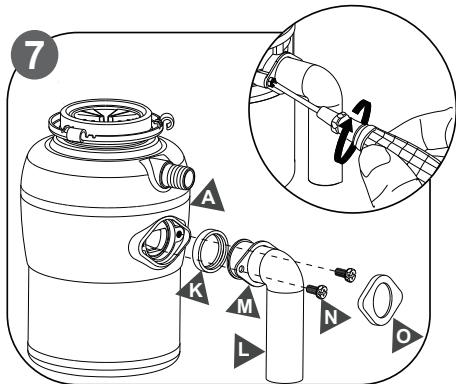
Put the disposer on top of the sink flange (C) to hold it in place, use a towel to prevent scratching the sink.



Insert paper gasket (E), metal gasket (F), and mounting ring (G). Press snap ring (I) firmly in place.



Tighten the three mounting screws (H) evenly and firmly against the flange.

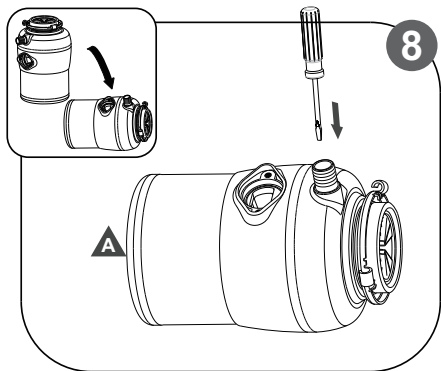


Install the rubber ring (K) onto the tube (L), then secure the tube to disposer with screws.

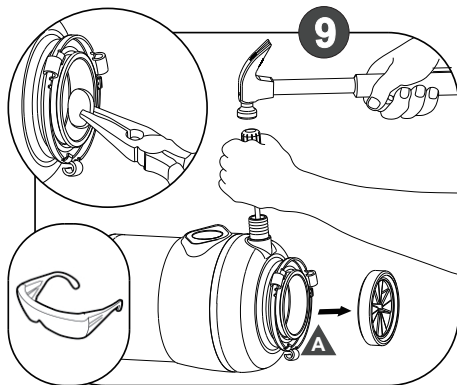


Stop and read

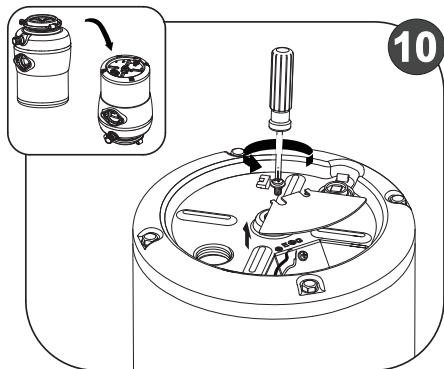
CAUTION: DISHWASHER CONNECTION ONLY.
If you do not need to attach the dishwasher,
Please skip steps 8, 9, 17.



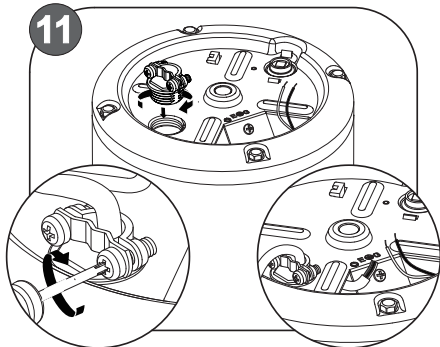
Turn disposer onto side and insert screwdriver into dishwasher inlet.



Knock out drain plug and remove plug from inside of disposer.



Turn the garbage disposal upside down. Remove the wiring cover.



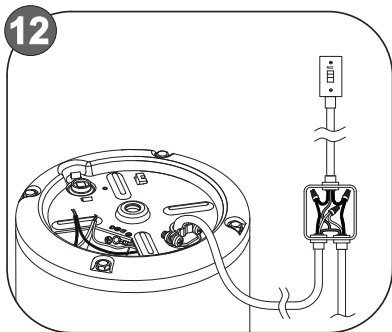
Install the cable connector on wiring cover.

Fixed and tightening its position, make the power cord pass through the cable connector.

Pull it out from wiring holes, proper length.

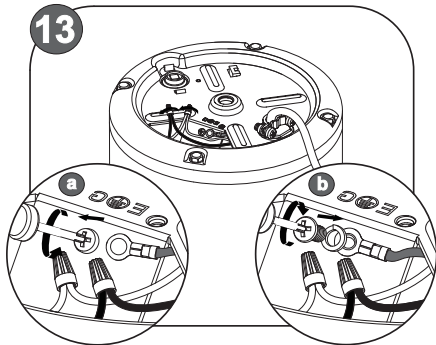


WARNING: Danger of electric shock due to poor grounding.



This disposer requires a switch (15 amp minimum rating) with a marked "Off" position (wired to disconnect all ungrounded supply conductors) installed within sight of the disposer sink opening, except if using an air switch or batch feed accessory or batch feed disposer.

13



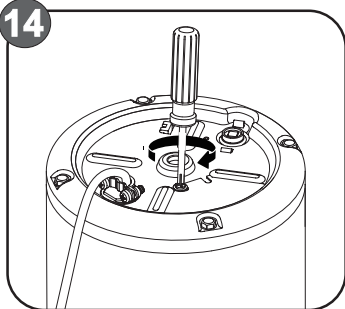
Connect the cable to the corresponding terminal of the machine.

- (a) Remove the green ground screw.
- (b) Connect the ground wire with a lock washer and tighten the green ground screw.



WARNING: Danger of electric shock due to poor grounding. Avoid letting the power cord interface touch water, and prevent excessive bending or moving of the power cord, causing danger or damage.

14

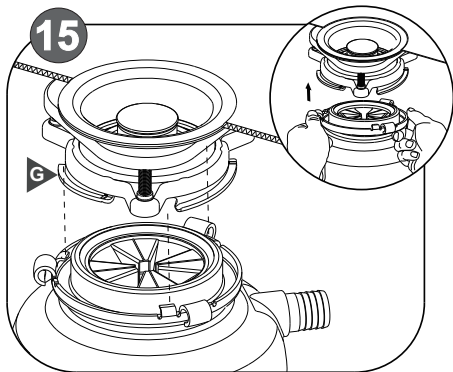


Push the wiring into the wiring hole.

Do not move the winder board.

Push the wiring into the inter layer between the cardboard and the bottom cover.

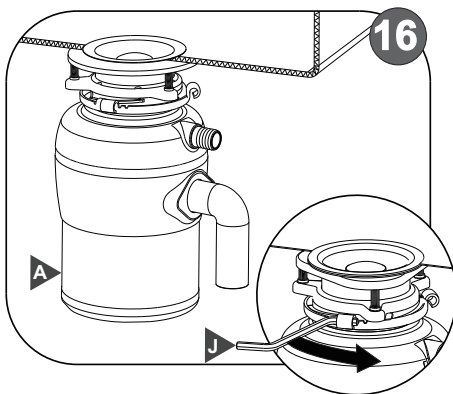
Fix and lock the wiring cover.



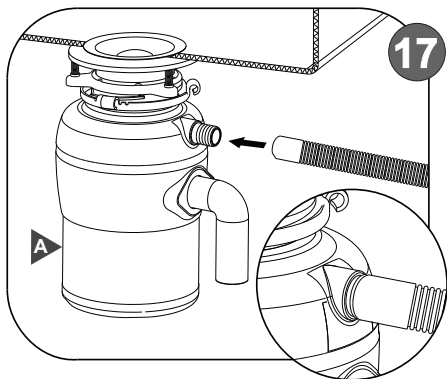
Hang disposer by aligning 3 mounting tabs with slide-up ramps on mounting ring.



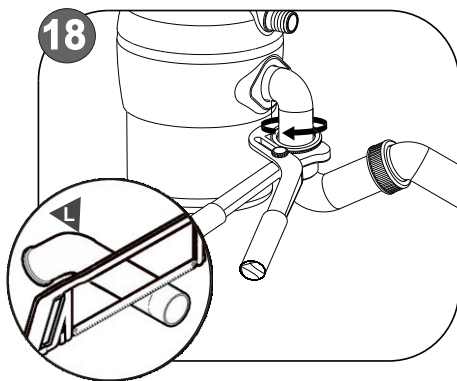
WARNING: Falling Hazard.



Use the wrench (J) to secure the mounting ring tightly.



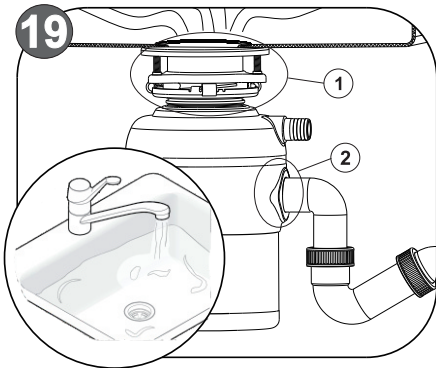
Place dishwasher tube into dishwasher Inlet. Secure with hose clamp.



You may need to trim hose clamp.

Discharge tube to ensure proper fit.

Make sure anti-vibration tailpipe mount is straight.



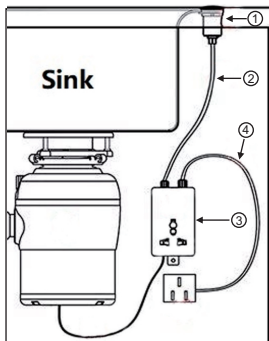
Test for leaks after Installation:

Fill 2/3 of the sink with tap water, turn on the disposer and then release the water.

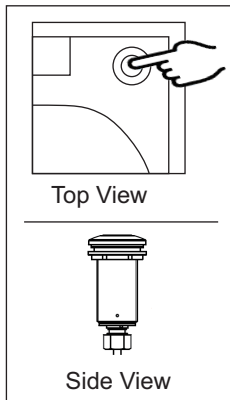
Check for leaks on connections spots (1) and (2) as indicated on the picture.

An accessory can be installed on the garbage disposer which will automatically turn it on using an air switch. An Air Switch is a push button installed on the countertop or sink to control the operation of the garbage disposer. To order contact Customer Service.

Air Switch Kit (GDAS-01)



1. Air Switch
2. Air Tube
3. Power Box
4. Power Cord



Operation

Before using the garbage disposer, ensure that it has been installed correctly under the sink with the required electrical connection.

Use the garbage disposer to discard only organic items, such as fruit and vegetable debris:

1. Turn on the faucet and let the water run in the sink.
2. Press the switch for the garbage disposer.
3. Put the food debris into the garbage disposer opening, a small quantity at a time.
4. After a few minutes, when the debris has been cleared, turn off the switch and then the faucet.

Do Not put the following types of items through the garbage disposer:

- Glass, metal
- Paper, plastic
- Large bones, thick chunks of food

DO NOT PUT YOUR HANDS INTO THE GARBAGE DISPOSER OPENING.

If a utensil has accidentally gone into the garbage disposer opening or if the drain is clogged, turn off the power and call a technician to fix the problem.

When not in use, place a sink strainer over the garbage disposer opening.

- **360° Clean Rinse:** Every time the disposer is used, water needs to be run through it. The grinding disc utilizes centrifugal force and the combination of water to create a scrubbing action for self-cleaning.
- **Auto Shut off:** The disposer automatically shuts off after running for 25 minutes to prevent it from being left on accidentally.
- **Manual Reset:** The reset button is located at the bottom of the disposer and is red in color.

Technical Specifications

Model	GD 075
Grinding Chamber Capacity	1 Quart (1000 ml)
Electrical	120V / 60Hz
RPM	1700 RPM
Horse Power	3/4 HP
Net Weight (lbs)	17.2
Product Dimensions (HxWxD)	12.2 x 7.1 x 7.1 (inch)

California Proposition 65

WARNING: This product contains chemicals known to the State of California to cause cancer and birth defects or other reproductive harm.



Equator Advanced Appliances USA, founded in 1991, offers Efficient, High-Quality, and Innovative household appliances.

Our Mission is to simplify domestic chores and save Time, Space, and Energy.

Our Vision is to enhance our Customer's Quality of Life!

Equator Appliances USA

www.EquatorAppliances.com