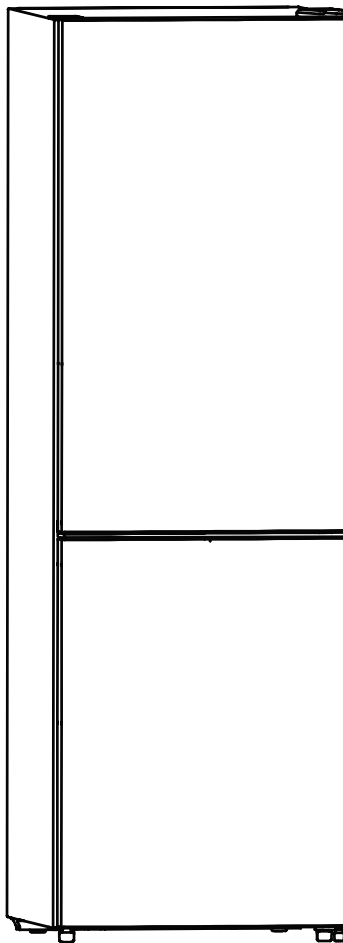




Bottom-Freezer Refrigerator

Model - MDRF 376-1150



OWNER'S MANUAL

Please read the instructions carefully and keep for future reference. Information may be updated from time to time so please refer to the manual online for the latest version of the manual.

Warranty

Conserv Appliances undertakes to the consumer-owner to repair or, at our option, to replace any part of this product which proves to be defective in workmanship or materials under normal personal, family or household use, in the USA and Canada, for a period of one year from the date of original purchase. For commercial use, the product is warranted for a period of 90 days. During this period, we will provide all labor and parts necessary to correct such defect, free of charge, if the appliance has been installed and operated in accordance with the written instructions with the appliance. Ready access to the appliance, for service, is the responsibility of the consumer-owner. Service would be provided from Monday to Friday between normal business hours.

Exclusions

In no event shall Conserv Appliances be liable for incidental or consequential damages or for damages resulting from external causes such as abuse, misuse, incorrect voltage or acts of God. This warranty does not cover service calls which do not involve defective workmanship or materials covered by this warranty. Accordingly, diagnosis and repair costs for a service call which does not involve defective workmanship or materials will be the responsibility of the consumer-owner.

Specifically, the following work is not covered under warranty and does not constitute warranty work:

Installation – e.g. Insufficient spacing around the appliance

Maintenance – e.g. Cleaning the appliance using solvents

Mishandling – e.g. Breakage of door or shelves

Most work is covered. The defining factor is, has the machine malfunctioned (Conserv Appliances is responsible) or has the customer omitted or done something to cause the machine to malfunction (customer is responsible). Some states do not allow the exclusion or limitation of incidental or consequential damages, so the above limitation of exclusion may not apply to you.

WARRANTY SERVICE

This warranty is given by:

Conserv Appliances
10222 Georgibelle Drive, Suite 200
Houston, TX 77043-5249

For Service:

Call 1-800-776-3538
Email: Service@ApplianceDesk.com
Web: www.ApplianceDesk.com
Business hours: 9:00 am - 5:00 pm weekdays

GENERAL

Since it is the responsibility of the consumer-owner to establish the warranty period by verifying the original purchase date, Conserv Appliances recommends that a receipt, delivery slip or some other appropriate payment record be kept for that purpose.

This warranty gives you specific legal rights, and you may also have other rights which vary from State to State.

All rights reserved. Manual subject to change without notice.

Contents

Brief introduction	2	Using your appliance.....	14
Important safety instructions	2	Helpful hints and tips.....	15
Installing your new appliance.....	5	Cleaning and care.....	17
Description of the appliance.....	11	Trouble shooting	18
Display controls.....	13	Disposal of the appliance.....	19

Brief introduction

Thank you for choosing this appliance. Before using the appliance, please read through these instructions carefully, which provide details about this product's usage and functions.

- Please ensure that all people using this appliance are familiar with its operations and safety features. It is important that you install the appliance correctly and follow the safety instructions carefully.

- We recommend that you keep this user's manual with the appliance for future reference and retain it for any future users
- This appliance is intended to be used residentially and similar environments.
- If you feel that the appliance is not operating correctly, please check the Trouble shooting page for assistance. If still in doubt contact the customer service help line for assistance.

Important safety instructions

General safety and daily use



It is important to use your appliance safely.

We recommend that you follow the guidelines below. Store any food in accordance with the storage instructions from the manufacturer.

This appliance is intended to be used in household and similar applications such as

- Staff kitchen areas in shops, offices and other working environments;
- Farm houses and by clients in hotels, motels and other residential type environments;
- Bed and breakfast type environments;
- Catering and similar non-retail applications.

WARNING: Don't use mechanical devices or any other means to speed up the defrosting process, unless they are approved by the manufacturer.

WARNING: Don't try to repair the appliance yourself. It is dangerous to alter the specifications or modify this product in anyway. Any damage to the cord may cause short circuit, fire or electric shock.

WARNING: Pay attention not to damage the tubing of the refrigerant circuit.

WARNING: Keep ventilation openings, in the appliance enclosure or in the built-in structure, clear of obstruction.

- Don't place too much food directly against the air outlet on the rear wall of both the refrigerator and freezer compartment, as it affects sufficient air circulation.

- Don't place hot items near the plastic components of this appliance.

- Frozen food must not be refrozen once it has been thawed out.

- Don't store bottled or canned drinks (especially carbonated drinks) in the freezer compartment. Bottles and cans may explode.

- To avoid items falling and causing

damage to the appliance, do not overload the door racks or put too much food in the crisper drawers.

Warnings for children and infirm persons



This appliance is not intended for use by persons (including children) with reduced physical, sensory or mental capabilities, or a lack of experience and knowledge, unless they have been given supervision or instruction concerning the use of the appliance by a person responsible for their safety. Children should be supervised to ensure that they do not play with the appliance.

- Keep all packaging away from children to avoid risk of suffocation.
- Protect children from being burned by touching the very hot compressor or at the rear bottom of appliance
- Don't place items on top of the appliance as this could cause injury should they fall off.
- Never allow children to play with the appliance by hanging or standing over or on the doors, racks, shelves and drawers etc.

Electrical safety warnings



To avoid the risks that are always present when using an electric appliance, we recommend that you carefully read the below electrical instructions.

- Unpack the appliance and check through the appliance. Should any damage be evident, don't plug in the appliance and immediately contact the store from which you purchased it. Keep all packing materials in this case.
- We recommend that you wait for 4 hours, with the product upright, before connecting the appliance to allow the refrigerant to flow back into the compressor.
- The appliance must be supplied with single phase alternating current of

115V/60Hz. If the voltage fluctuates widely, an A.C. automatic voltage regulator of more

than 350W should be applied to the refrigerator for safe use.

- The main plug must be accessible when the appliance is installed.
- This appliance is fitted with a 3-prong plug in accordance with local standard. The 3-prong plug should be suitable for use in all houses fitted with sockets in accordance with current specifications.
- Do not use extension cords or multiple sockets which could cause overloading of wiring circuits and could cause a fire. Always plug your appliance into its own individual electrical socket which has a voltage rating that matches the rating plate.
- If the SUPPLY CORD is damaged, it must be replaced by the manufacturer, its service agent or similarly qualified person in order to avoid a hazard.
- Make sure that the plug is not squashed or damaged. Otherwise, it may cause short circuit, electric shock, overheating, and even cause a fire.
- Do not insert the main plug if the socket is loose, there is a risk of electric shock or fire.
 - Switch off the appliance and disconnect it from the main power before you clean or move it.
 - Never unplug the appliance by pulling the electrical cord. Always grip the plug firmly and pull straight out from the socket top to prevent damaging the power cord.
 - Do not operate the appliance without the interior lightcover installed.
 - Any electrical component must be replaced or repaired by a qualified electrician or authorized service engineer. Only genuine service parts should be used.

● Do not use electrical appliances such as ice cream makers inside the food storage compartments of the appliance, unless they are approved by the manufacturer.



Fire Hazard

The appliance contains a small quantity of refrigerant (R600a) which is environmentally friendly but potentially flammable in the refrigeration circuit.

● Pay attention not to damage tubing of the refrigerant circuit during transportation and installation to avoid a risk of fire or explosion following a refrigerator leak.

● Keep candles, lamps and other items with open flames and sources of heat away from the appliance, ventilate the room thoroughly to avoid the risk of fire and eye injury should any leakage of refrigerant occur.

● Do not store products which contain flammable propellants (e. g. spray cans) or explosive substances in the appliance.

DANGER: Risk of child entrapment. Before you throw away your old refrigerator or freezer:

- Take off the doors
- Leave the shelves in place so that children may not easily climb inside.

CALIFORNIA PROPOSITION 65

 **WARNING:** Cancer and Reproductive Harm – www.P65Warnings.ca.gov.

 **ADVERTENCIA:** Cáncer y Daño Reproductivo – www.P65Warnings.ca.gov.

 **AVERTISSEMENT:** Cancer et Troubles de l'appareil reproducteur – www.P65Warnings.ca.gov.

Installing your new appliance

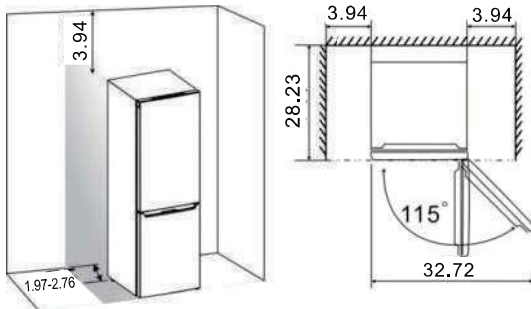
Before using the appliance for the first time, you should be informed of the following tips.

Ventilation of appliance



In order to improve efficiency of the cooling system and save energy, it is necessary to maintain good ventilation around the appliance. For this reason, sufficient clear space should be available around the refrigerator.

Suggest :It is advisable for there to be 1.97-2.76 inches of space from the back to the wall, at least 3.94 inches from its top, at least 3.94 inches from its side to the wall and a clear space in front to allow the doors to open 115°. As shown in follow diagrams.



Note:

- This appliance performs well within the climate class showed in the table below. It may not work properly if being left at a temperature above or below the indicated range for a long period.

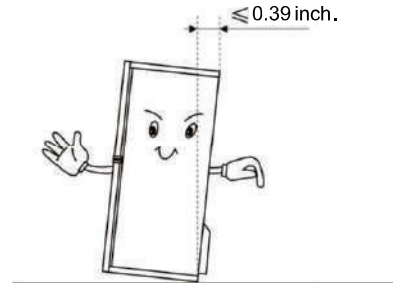
Climate class	Ambient temperature
SN	50°F to 89.6°F
N	60.8°F to 89.6°F

ST	60.8°F to 100.4°F
T	60.8°F to 109.4°F

- Stand your appliance in a dry place to avoid high moisture.
- Keep the appliance out of direct sunlight rain or frost. Stand the appliance away from heat sources such as stoves, fires or heaters.

Leveling of appliance

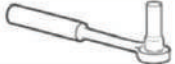



- For sufficient leveling and air circulating in the lower rear section of the appliance, the bottom feet may need to be adjusted. You can adjust them manually by hand or by using a suitable spanner.
- To allow the doors to self-close, tilt the top backwards by about 0.39 inch.



Reversing the door

The side at which the door opens can be changed, from the right side (as supplied) to the left side, if the installation site requires.

Warning! When reversing the door, the appliance must not be connected to the mains. Ensure that the plug is removed from the mains socket..

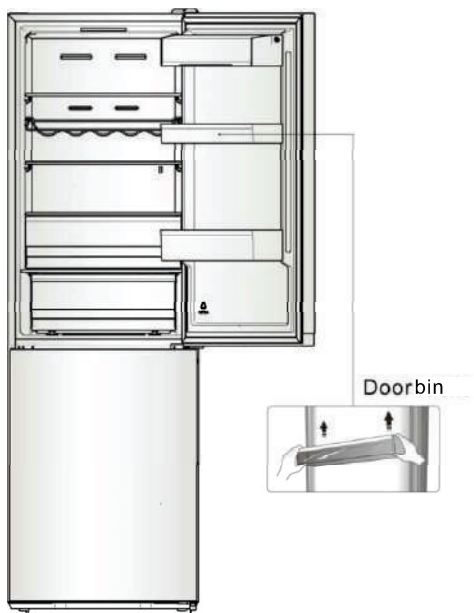
	
5/16"socket wrench	Cross-shaped screwdriver
	
Thin-blade screwdriver	5/16" wrench

Tools you will need

Note:

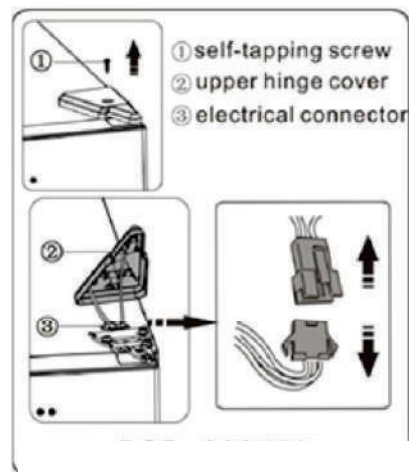
•When required, tilt the refrigerator back in order to gain access to the base, you should rest the appliance on soft foam packaging or similar material to avoid damaging the backboard of the refrigerator. To reverse the door, the following steps are generally recommended. Different models may correspond to different pictures. Models will be written in the picture. If some parts are not shown in the picture, please ignore the relevant description.

1. Stand the refrigerator upright. Open the upper door to take out all door bins (to avoid bins damaged) and then close the door.

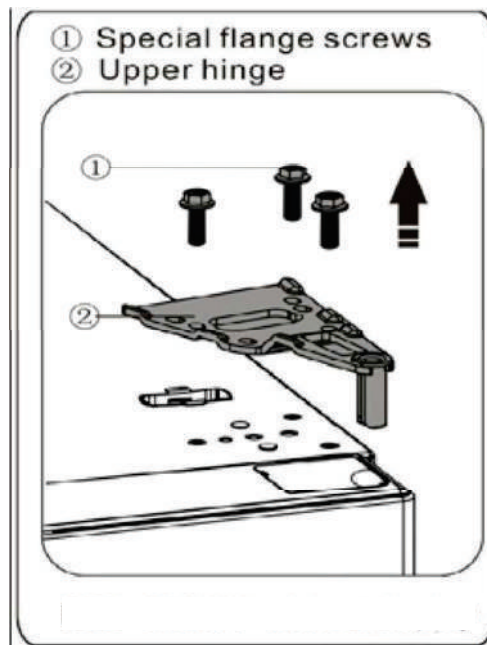


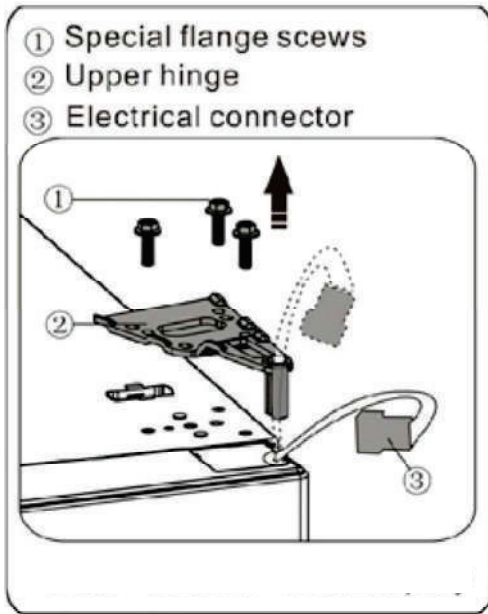
2. Remove part ①, loosen part ② from the top right side of refrigerator and be careful of the electrical connector ③ below, because electrical connectors are still

connected. Then disconnect electrical connector ③ and take down part ②.

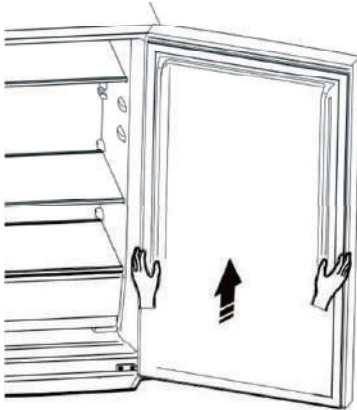


3. Remove screws ① and hinge ②. Then pass connector ③ through the hole of hinge ②. (Please hold upper door by hand when installing)

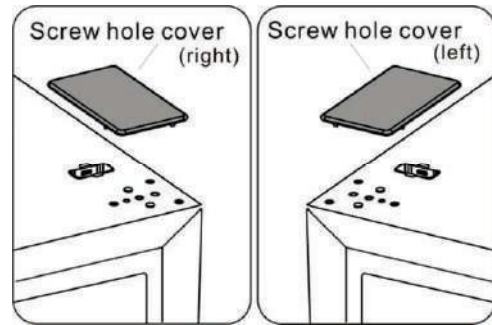




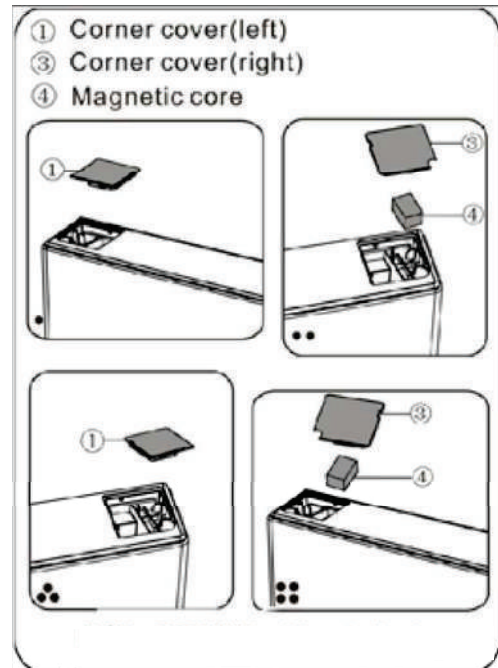
4. Remove the upper door from the middle hinge by carefully lifting the door straight up. Then place the upper door on a smooth surface with its upper cover upwards.

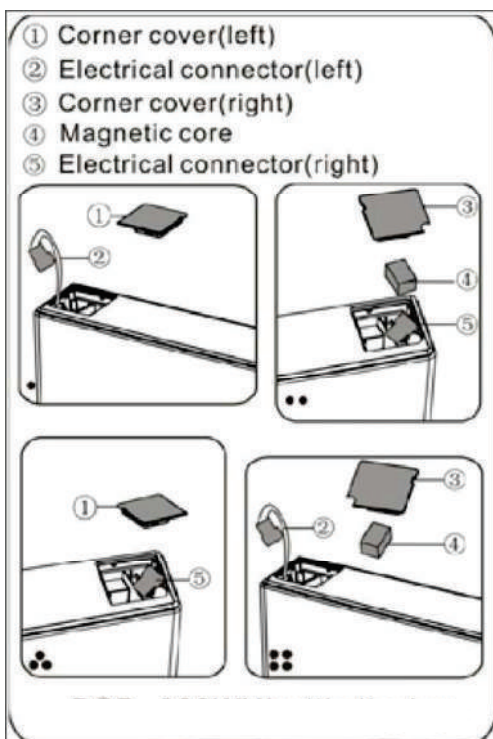


5. Take screw hole cover(right) from plastic bag and install it onto the top right side of refrigerator body. Then remove screw hole cover(left) from the top left side of appliance and put it into plastic bag.

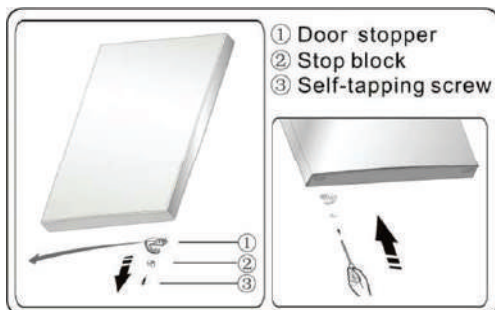


6. Remove part ① from the top left side of upper cover and take out part ②. Then remove part ③ and part ④ from the top right side of upper cover. Put part ⑤ into the top right side of upper cover. Refer to above operation, install part ③ and part ④ onto the top left side of upper cover. Install part ① of the top right side of upper cover.

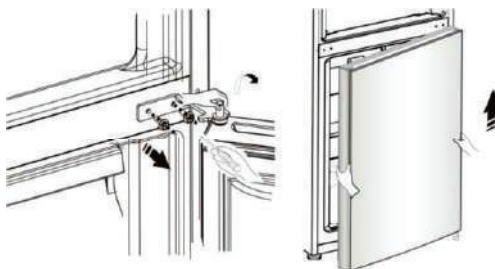




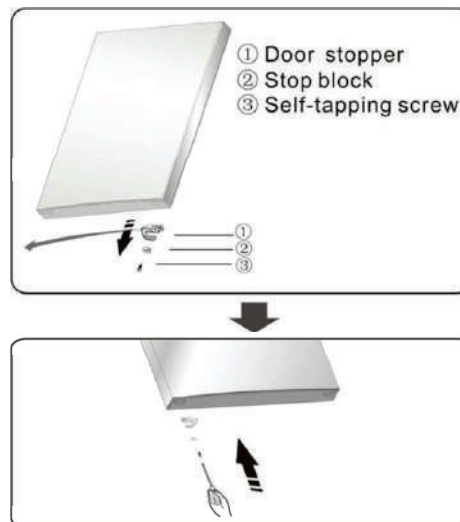
7. Loose screw ③ and take down part ② and part ①, Install replacement door stopper-left ④ provided (in the plastic bag) and part ②(stop block) to the left side with screw ③. Keep part ① with the appliance for future reference.



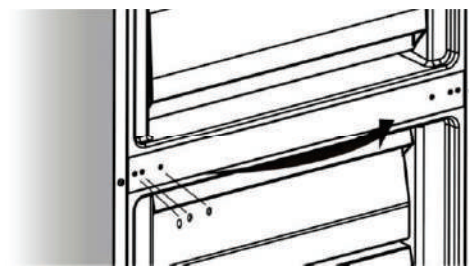
8. Loose screws used to fix the middle hinge and remove middle hinge. Then remove the lower door.



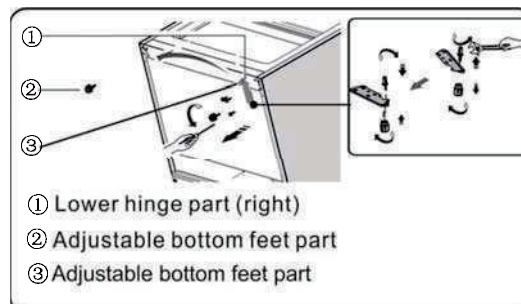
9. Place the lower door on a smooth surface with its panel upwards. Loose screw ③ and take down part ② and part ①, Install replacement door stopper-left ④ provided (in the plastic bag) and part ②(stop block) to the left side with screw ③. Keep part ① with the appliance for future reference.



10. Change screw hole covers on middle cover plate from left to right (as shown in figure below).



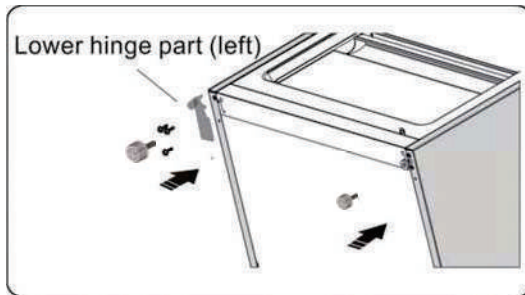
11. Tip the refrigerator backwards, remove part ②.



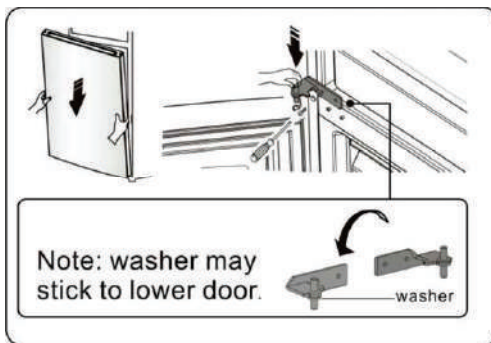
12. Remove part ③ from the lower hinge pin, loose out the lower hinge pin, change it to the reverse hole site, and then tighten into position, then install part ③ on the lower hinge pin.

13. Remove part ② .

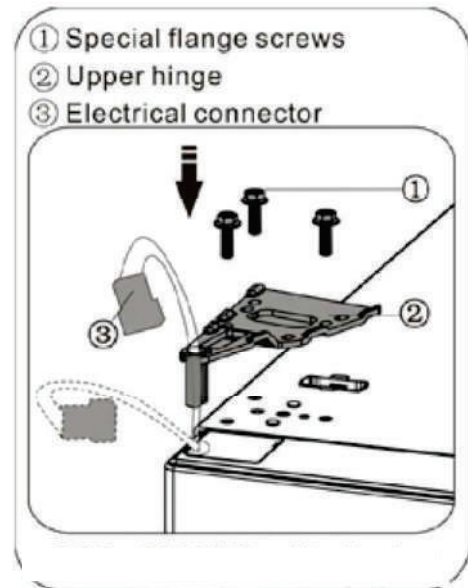
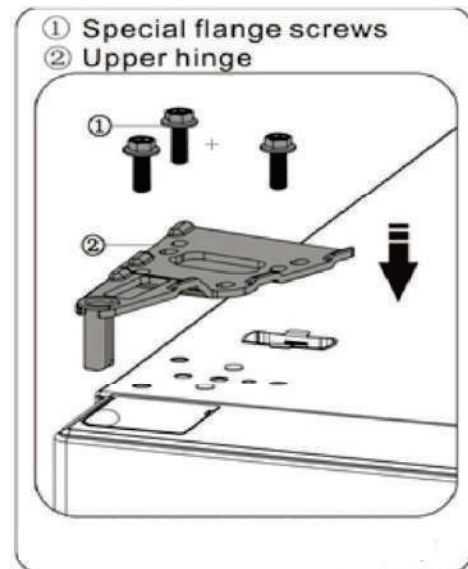
14. Replace the items remount in step 11, change part ① to left and part ② to right.



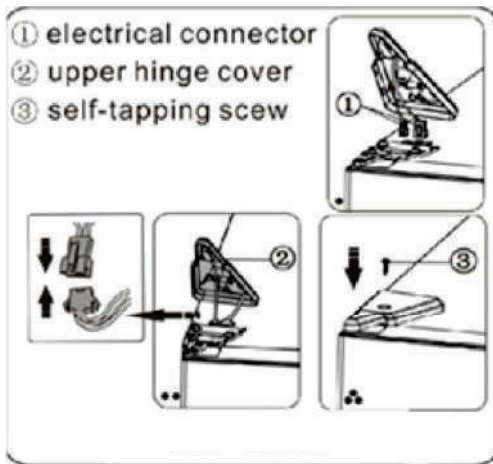
15. Slot the lower door onto the bottom hinge pin and hold in position. Turn the middle hinge by 180°, change the washer on the axis to the lower side, adjust the middle hinge to the appropriate position and then install it ensuring the lower door is secured in place.



16. Move the upper door to an appropriate position, and then fix part ② by screws ①. Before fix part ②, pass connector ③ through hinge ② refer to step 3. (Please hold upper door by hand when installing)



17. Connect electrical connector① as shown in the picture, then fix part② by screw③ refer to step 2.

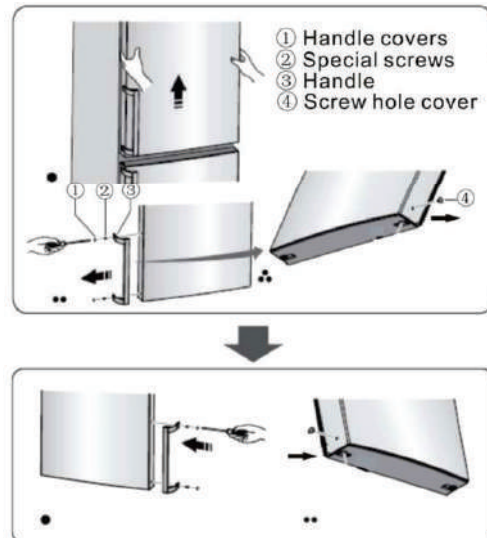


18. Open the upper door, mount door racks and then close it.

Note:

If your appliance has handles, reverse the handles as shown below.

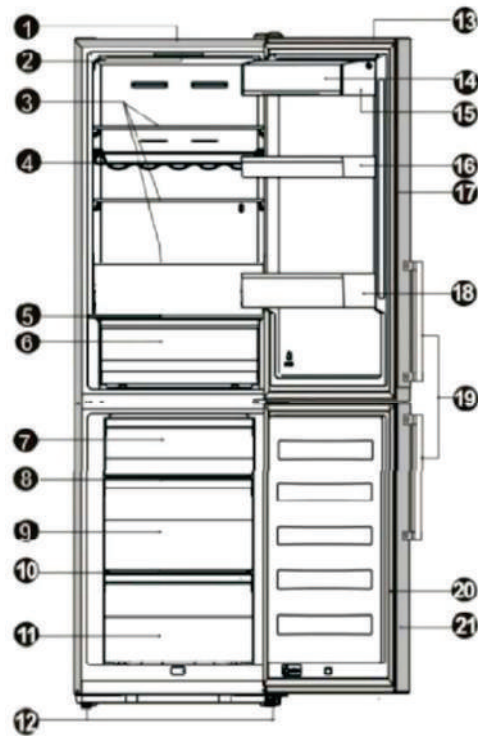
Remove the upper door and place it on a smooth surface with its panel upwards. Lever part① and part④, then loose screws②, as shown in the picture. Change handle③ to the right side, then install screws②, part① and part④ in turn.



Description of the appliance

- 1.Cabinet
- 2.LED light(and display panel)
- 3.Glass shelf
- 4.Flexible wine rack
- 5.Crisper cover
- 6.Large fruit and vegetables crisper
- 7.Upper freezer drawer
- 8.Upper freezer glass shelf
- 9.Middle freezer drawer
- 10.Middle freezer glass shelf
- 11.Lower freezer drawer
- 12.Adjustable bottom feet
- 13.Fridge door
- 14.Upper bin cover
- 15.Upper bin
- 16.Middle bin
- 17.Fridge door seal
- 18.Lower bin
- 19.Handle(optional)
- 20.Freezer door seal
- 21.Freezer door

View of the appliance

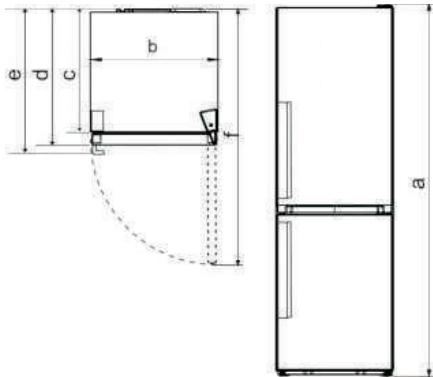


The view of an appliance without dispenser

Note: Due to continuous modification of our products, some parts of your refrigerator may be slightly different from this instruction manual other models. To get more space in the freezer, you can remove drawers(except lower freezer drawer), ice tray.

Dimensional Specifications

a	Height	72.8"
b	Width	24"
c	Cabinet depth	22.4"
d	Depth (door closed without handle)	25"
e	Depth (door closed with handle)	27"
f	Depth (door opened)	46.9"



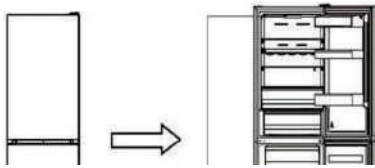
Technical characteristics

- a** Height
- b** Width
- c** Cabinet depth
- d** Depth (door closed without handle)
- e** Depth (door closed with handle)
- f** Depth (door opened)

Display controls

Interior display panel

Use your appliance according to the following user instructions, your appliance has the corresponding functions and modes as the display panels showed in the pictures below. When the appliance is powered on for the first time, the backlighting of the icons on display panel starts working. If no buttons have been pressed and the doors are closed, the backlighting will turn off



Display panel inside door

Controlling the temperature

We recommend that when you start your refrigerator for the first time, the temperature for the refrigerator is set to 39°F. If you want to change the temperature, follow the instructions below.

Caution!

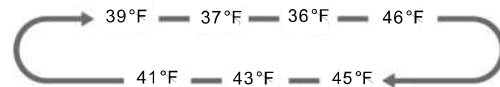
When you set a temperature, you set an average temperature for the whole refrigerator cabinet. Temperatures inside each compartment may vary from the temperature values displayed on the panel, depending on how much food you store and where you place them. Ambient temperature may also affect the actual temperature inside the appliance.

1. Fridge

- Press “Temp”(display panel on door) to set fridge temperature between 36°F and 46°F as needed, and display panel will display corresponding values according to the following sequence.

- Press “°F”(display panel inside door)

to set fridge temperature between 36°F and 46°F as needed, and display panel will display corresponding values according to the following sequence.



2. Mode

- You can select different modes according to your requirements by pressing the button “Mode” (display panel on door) on the display panel, and the corresponding icon will be illuminated.

- You can select different modes according to your requirements by pressing the button “°F”(display panel inside door) on the display panel, and the corresponding icon will be illuminated.

Super Freeze (❄)

Super Freeze will quickly lower the temperature within the freezer so food will freeze faster. This can lock in the vitamins and nutrients of fresh food and keep food fresh longer.

- You can press "°F" (display panel inside door) for 3 sec to get into super freezer mode.
- You can press "Mode" (display panel on door) to get into super freezer mode.
- When Super freeze Mode is selected, the light will be illuminated and the freezer temperature will be set at -13°F (ambient temperature below 68°F), or -22°F (ambient temperature above 68°F).
- In case of the maximum amount of food to be frozen, please wait about 24 h.
- Super freeze automatically switches off after 52 hours and then the freezer temperature setting will revert back to the previous setting.

Switch (⏻) (display panel inside door)

You can switch on or switch off your appliance by press this button.

- Press " ⏻ " for 3 seconds, after a buzzer sound, the appliance will be turned off.
- Press " ⏻ " for 1 second, after a buzzer sound, the appliance will be turned on.

Alarm (display panel on door)

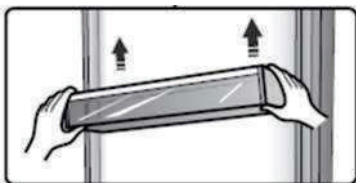
- When the door of fridge has been opened for over 2 minutes, the door alarm will sound. In case of door alarm, buzzer will sound 3 times every 1 minute and will stop alarming automatically after 8 minutes.
- To save energy, please avoid keeping the door open for a long time when using the appliance. The door alarm can also be cleared by closing the door.

Using your appliance

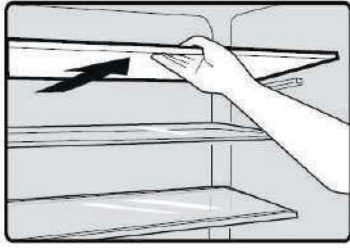
Your appliance is supplied with a number of accessories and this section describes how best to use them.

Door bin

- It is suitable for the storage of eggs, canned liquid, bottled drinks and packed food, etc. Do not place too many heavy things in the bins.

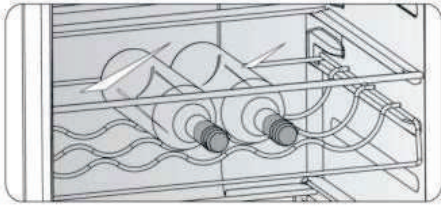
**Shelf in Refrigerator compartment**

- There are three shelves in refrigerator compartment, and they can be taken out to be cleaned.



Flexible wine rack

- It is for storing bottled wine or drinks, and it can be taken out to clean.



Chill compartment

- It is used to store fish, meat and other erodible food.

Note: Due to the environment temperature and setting temperature both influence the temperature of Chill compartment, the actual temperature of chill compartment may change in a certain range.

The temperature of this drawer may lower than zero, so it is normal that liquid in this drawer was frozen.

Crisper cover

- It is for controlling the temperature of the crisper and avoiding the vegetable losing moisture.

Fruit and vegetable crisper

- It is suitable for the storage of fruits and vegetable.

Freezer Drawer

- It is used to store food which needs to be frozen, including meat, fish, ice cream, etc.

Helpful hints and tips

Energy saving tips

We recommend that you follow the tips below to save energy.

- Try to avoid keeping the door open for long periods in order to conserve energy.

- Ensure the appliance is away from any sources of heat (Direct sunlight, electric oven or cooker etc)

- Don't set the temperature colder than necessary.
- Don't store warm food or evaporating liquid in the appliance.
- Place the appliance in a well ventilated, humidity free, room. Please refer to Installing your new appliance chapter.
- If the diagram shows the correct combination for the drawers, crisper and shelves, do not adjust the combination as this is designed to be the most energy efficient configuration.

Hints for fresh food refrigeration

- Do not place hot food directly into the refrigerator or freezer, the internal temperature will increase resulting in the compressor having to work harder and will consume more energy.
- Do cover or wrap the food, particularly if it has a strong flavor.
- Place food properly so that air can circulate freely around it.

Hints for refrigeration

- Meat (All Types) Wrap in polythene food: wrap and place on the glass shelf above the vegetable drawer. Always follow food storage times and use by dates suggested by manufacturers.
- Cooked food, cold dishes, etc.:
They should be covered and may be placed on any shelf.
- Fruit and vegetables:
They should be stored in the special drawer provided.
- Butter and cheese:
Should be wrapped in airtight foil or plastic film wrap.
- Milk bottles:
Should have a lid and be stored in the door racks.

Hints for freezing

- When first starting-up or after a period out of use, let the appliance run at least 2 hours on the higher settings before putting food in the compartment.
- Prepare food in small portions to enable it to be rapidly and completely frozen and to make it possible to subsequently thaw only the quantity required.
- Wrap up the food in aluminum foil or polyethylene food wraps which are airtight.
- Do not allow fresh, unfrozen food to touch the food which is already frozen to avoid temperature rise of the latter.
- Iced products, if consumed immediately after removal from the freezer compartment, will probably cause frost burns to the skin.
- It is recommended to label and date each frozen package in order to keep track of the storage time.

Hints for the storage of frozen food

- Ensure that frozen food has been stored correctly by the food retailer.
- Once defrosted, food will deteriorate rapidly and should not be re-frozen. Do not exceed the storage period indicated by the food manufacturer.

Switching off your appliance

If the appliance needs to be switched off for an extended period, the following steps should be taken prevent mould on the appliance.

1. Remove all food.
2. Remove the power plug from the mains socket.
3. Clean and dry the interior thoroughly.
4. Ensure that all the doors are wedged open slightly to allow air to circulate.

Cleaning and care

For hygienic reasons the appliance (including exterior and interior accessories) should be cleaned regularly at least every two months.

Caution! The appliance must not be connected to the mains during cleaning. Danger of electrical shock! Before cleaning switch the appliance off and remove the plug from the mains socket.

Exterior cleaning

To maintain good appearance of your appliance, you should clean it regularly.

-Wipe the digital panel and display panel with a clean, soft cloth.

-Spray water onto the cleaning cloth instead of spraying directly on the surface of the appliance. This helps ensure an even distribution of moisture to the surface.

-Clean the doors, handles and cabinet surfaces with a mild detergent and then wiped dry with a soft cloth.

Caution!

-Don't use sharp objects as they are likely to scratch the surface.

-Don't use Thinner, Car detergent, Clorox, ethereal oil, abrasive cleansers or organic solvent such as Benzene for cleaning. They may damage the surface of the appliance and may cause fire.

Interior cleaning

•You should clean the appliance interior regularly. It will be easier to clean when food stocks are low. Wipe the inside of the fridge freezer with a weak solution of bicarbonate of soda, and then rinse with warm water using a wrung-out sponge or cloth. Wipe completely dry before replacing the shelves and baskets. Thoroughly dry all surfaces and removable parts.

•Although this appliance automatically defrosts, a layer of frost may occur on the freezer compartment's interior walls if the freezer door is opened frequently or kept open too long. If the frost is too thick, choose a time when the supply of food stocks are low and proceed as follows:

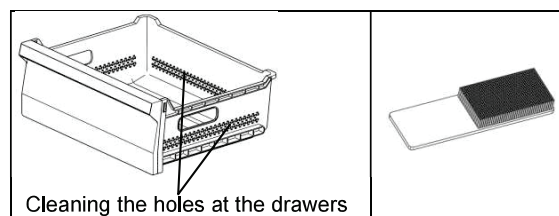
1. Remove existing food and accessories baskets, unplug the appliance from the mains power and leave the doors open. Ventilate the room thoroughly to accelerate the thawing process.

2. When defrosting is completed, clean your freezer as described above.

Caution! Don't use sharp objects to remove frost from the freezer compartment. Only after the interior is completely dry should the appliance be switched back on and plugged back into the mains socket.

Cleaning the holes at the drawers

There are some holes at the drawers of freezer compartment. You could use a brush which is similar to the picture below.



Door seals cleaning

Take care to keep door seals clean. Sticky food and drinks can cause seals to stick to the cabinet and tear when you open the door. Wash seal with a mild detergent and warm water. Rinse and dry it thoroughly after cleaning.

Caution! Only after the door seals are completely dry should the appliance be powered on.

Replacing the LED light:

Warning: The LED light must not be replaced by the user! If the LED light is damaged, contact the customer helpline for assistance. To replace the LED light, the below steps can be followed:

1. Unplug your appliance.
2. Remove light cover by pushing up and out.
3. Hold the LED cover with one hand and pull it with the other hand while pressing
4. Replace LED light and snap it correctly

Troubleshooting

If you experience a problem with your appliance or are concerned that the appliance is not functioning correctly, you can carry out some easy checks before calling for service, please see below.

Warning! Don't try to repair the appliance yourself. If the problem persists after you have made the checks mentioned below, contact a qualified electrician, authorized service engineer or the shop where you purchased the product.

Problem	Possible cause & Solution
Appliance is not working correctly	Check whether the power cord is plugged into the power outlet properly.
	Check the fuse or circuit of your power supply, replace if necessary.
	The ambient temperature is too low. Try setting the chamber temperature to a colder level to solve this problem.
	It is normal that the freezer is not operating during the automatic defrost cycle, or for a short time after the appliance is switched on to protect the compressor.
Odours from the compartments	The interior may need to be cleaned
	Some food, containers or wrapping cause odours.
Noise from the appliance	The sounds below are quite normal: <ul style="list-style-type: none"> •Compressor running noises. •Air movement noise from the small fan motor in the freezer compartment or other compartments. •Gurgling sound similar to water boiling. •Popping noise during automatic defrosting. •Clicking noise before the compressor starts.
	Other unusual noises are due to the reasons below and may need you to check and take action: The cabinet is not level. The back of appliance touches the wall. Bottles or containers fallen or rolling.
The motor runs continuously	It is normal to frequently hear the sound of the motor, it will need to run more when in following circumstances: <ul style="list-style-type: none"> • Temperature setting is set colder than necessary • Large quantity of warm food has recently been stored within the appliance. •The temperature outside the appliance is too high. •Doors are kept open too long or too often. •After your installing the appliance or it has been switched off for a long time.
A layer of frost occurs in the compartment	Check that the air outlets are not blocked by food and ensure food is placed within the appliance to allow sufficient ventilation. Ensure that door is fully closed. To remove the frost, please refer to cleaning and care chapter.

Temperature inside is too warm	You may have left the doors open too long or too frequently; or the doors are kept open by some obstacle; or the appliance is located with insufficient clearance at the sides, back and top
Temperature inside is too cold	Increase the temperature by following the “Display controls” chapter.
Doors can't be closed easily	Check whether the top of the refrigerator is tilted back by 10-15mm to allow the doors to self close, or if something inside is preventing the doors from closing.
Water drips on the floor	The water pan (located at the rear bottom of the cabinet) may not be properly leveled, or the draining spout (located underneath the top of the compressor depot) may not be properly positioned to direct water into this pan, or the water spout is blocked. You may need to pull the refrigerator away from the wall to check the pan and spout.
The light is not working	<ul style="list-style-type: none"> •The LED light may be damaged. Refer to replace LED lights in cleaning and care chapter. •The control system has disabled the lights due to the door being kept open too long, close and reopens the door to reactivate the lights.

Disposal of the appliance

It is prohibited to dispose of this appliance as household waste.

Packaging materials

Packaging materials with the recycle symbol are recyclable. Dispose of the packaging into a suitable waste collection container to recycle it.

Before disposal of the appliance

1. Pull out the mains plug from the mains socket.
2. Cut off the power cord and discard with the mains plug.

Warning! Refrigerators contain refrigerant and gases in the insulation. Refrigerant and gases must be disposed of professionally as they may cause eye injuries or ignition. Ensure that tubing of the refrigerant circuit is not damaged prior to proper disposal.

Sommaire

Brève introduction	2	Utilisation de votre appareil	14
Consignes de sécurité importante	2	Conseils et astuces pratiques	15
Installer votre nouvel appareil	5	Nettoyage et entretien	17
Description de l'appareil	11	Dépannage	18
Panneau d'affichage	13	Recyclage de cet appareil	19

Brève introduction

Pour votre sécurité et pour une utilisation correcte de l'appareil, nous vous recommandons de lire attentivement ces instructions, qui vous fournissent les détails par rapport à son utilisation et ses fonctions.

- Veuillez-vous assurer que tous ceux qui utilisent cet appareil sont familiers à son fonctionnement et aux instructions de sécurité. Il est important que vous l'installiez correctement et que vous fassiez attention aux instructions de sécurité.

- Nous vous recommandons de conserver ce manuel avec l'appareil pour des consultations futures et le conserver pour les futurs utilisateurs.
- Cet appareil est uniquement à usage ménager et usage du même type.
- Si vous pensez que l'appareil ne fonctionne pas comme il le devrait, consultez la partie "Dépannage" pour obtenir de l'aide. Si vous avez toujours un doute, contactez les service client téléphonique pour obtenir de l'aide.

Consignes de sécurité importante

Sécurité générale et utilisation quotidienne



A Il est très important d'utiliser avec précaution votre appareil.

Nous recommandons de suivre les directives ci – dessous.

Conserver uniquement les aliments en conformité avec les instructions de stockage du fabricant.

Cet appareil est uniquement à usage ménager et usage du même type:

- Coins-cuisine de boutiques, bureaux et autres environnements de travail;
- corps de ferme, locaux réservés aux clients dans les hôtels/motels et autres logements résidentiels;
- Établissements de type "Bed and Breakfast";
- cantines et autres établissements autres que de vente au détail.

MISE EN GARDE: N'utilisez ni dispositifs mécaniques ni aucun autre moyen pour accélérer le processus de dégivrage, sauf si cela est approuvé par le fabricant.

MISE EN GARDE: N'essayez pas de réparer l'appareil vous-même. Il est dangereux de modifier ce produit ou de changer ses caractéristiques techniques. N'importe quel dommage porté au câble d'alimentation pourrait causer un court-circuit, un incendie ou un choc électrique.

MISE EN GARDE: Attention à ne pas endommager la conduite de liquide frigorigène.

MISE EN GARDE: Garder la ventilation ouverte dans la structure encastrée de l'appareil, en s'assurant qu'il n'y a pas d'obstruction.

- Ne placez pas beaucoup d'aliments contre la sortie d'air se trouvant dans la paroi arrière du congélateur et du réfrigérateur, cela affecte le passage de l'air.
- Ne placez pas des articles chauds près du composant plastique de l'appareil.
- Les aliments congelés ne doivent pas être recongelés une fois qu'ils ont été dégelés.
- Ne conservez pas les boissons cannettes ou embouteilles (Spécialement celles gazeuses) dans le congélateur. Les bouteilles et cannettes peuvent exploser.
- Afin d'éviter les chutes d'objets et ne pas

vous blesser ni endommager l'appareil, ne surchargez pas les étagères et/ou ne placez pas trop d'aliments dans les bacs.

Sécurité pour enfants et handicaps



Cet appareil est déconseillé aux personnes souffrant d'un handicap physiques, sensoriels ou mentaux, ou ayant un manque d'expériences et de connaissances jusqu'à ce qu'ils aient reçu des instructions concernant l'utilisation de l'appareil auprès de personnes responsables de leur sécurité. Les enfants doivent être surveillés par un adulte qui doit s'assurer qu'ils ne jouent pas avec l'appareil.

- Conserver tout les emballages hors de la portée des enfants afin éviter tout risques d'étouffement.
- Évitez aux enfants d'être brûlés en touchant le compresseur chaud se situant à l'arrière de l'appareil.
- Ne placez pas des articles au dessus de l'appareil, ils pourraient blesser en cas de chute.
- Ne permettez jamais aux enfants de jouer avec l'appareil.

Mise en garde relative à la sécurité électrique



Afin d'écarter les risques présents lors de l'utilisation d'un appareil électrique, nous vous conseillons de lire attentivement les consignes suivantes.

- Déballez l'appareil puis vérifiez correctement. Si un dommage est observé, ne branchez pas l'appareil et contactez immédiatement la boutique ou vous l'avez acheté. Conserver tout les matériaux emballés.
- Nous vous recommandons de patienter 4 heures avant de brancher l'appareil, pour permettre au réfrigérateur de refluer vers le compresseur.
- Le réfrigérateur doit être alimenté au moyen

d'un courant alternatif monophasé de 115V / 60Hz. Si la tension varie beaucoup, un régulateur de tension automatique CA de plus de 350 W devrait être utilisé, pour garantir une utilisation du réfrigérateur en toute sécurité.

- Le secteur principal doit être accessible une fois que l'appareil est branché.
- Cet appareil est équipé d'une fiche électrique à 3 broches en conformité avec la norme locale. La fiche doit être adaptée à une utilisation dans toute les maisons équipées de prises, conformément aux spécifications actuelles.
- N'utilisez pas plusieurs prises ou rallonges qui pourraient entraîner une surchauffe du circuit et causer un incendie. Toujours brancher votre appareil dans sa propre prise / rallonge ayant une tension concordant a la tension de la plaque signalétique.
- Si le CABLE D'ALIMENTATION est endommagé, il doit être remplacé par le fabricant, l'un de ses agents ou une personne qualifiée, afin d'écarter tout danger.
- Assurez-vous que la fiche n'est pas défectueuse. Autrement, cela pourrait causer un risque de courts-circuits, d'électrocution, de surchauffe, voire d'incendie.
Ne pas insérer les fiches principales si la prise est desserrée, il pourrait y avoir un risque de choc électrique ou de feu.
- Éteindre et débrancher l'appareil de sa source d'électricité avant son nettoyage ou déplacement.
- Ne jamais débrancher l'appareil en tirant sur la câble d'alimentation. Toujours saisir fermement et retirer de façon droite le cordon de la prise/rallonge pour éviter d'endommager le cordon d'alimentation.
- Ne faites pas fonctionner l'appareil si l'éclairage intérieur ne fonctionne pas.
- N'importe quelle composants électriques doit être remplacé ou réparé par un électricien qualifié ou un service autorise. Seules des pièces d'origine devraient être utilisées.

- N'utilisez pas des appareils électriques comme ceux qui font des crèmes glacés à l'intérieur des compartiments de nourriture de l'appareil, sauf s'ils sont approuvés par le fabricant.

**Risque d'incendie**

L'appareil contient une petite quantité de liquide frigorigène (R600a), sans danger pour l'environnement, mais potentiellement inflammables sur le circuit de réfrigération.

- Attention à ne pas endommager les conduites du circuit réfrigérant pendant le transport et l'installation, afin d'écartier le risque d'incendie ou d'explosion, en cas de fuite du réfrigérateur.

- Maintenez les bougies, lampes et autres objets à flammes nues et sources de chaleur à l'écart de l'appareil et ventilez bien la pièce pour écartier tout risque d'incendie et de blessure oculaire, en cas de fuite du liquide réfrigérant.
- Ne rangez pas à l'intérieur du réfrigérateur de produits contenant de gaz inflammables (Ex. : aérosols) ou de substances explosives.

DANGER : Risque de piège des enfants.
Avant de jeter votre vieux réfrigérateur ou congélateur.

- Enlevez les portes
- Laissez les étagères en place pour que les enfants ne puissent pas facilement grimper à l'intérieur.

Proposition 65 de Californie :

 **WARNING:** Cancer and Reproductive Harm – www.P65Warnings.ca.gov.

 **ADVERTENCIA:** Cáncer y Daño Reproductivo – www.P65Warnings.ca.gov.

 **AVERTISSEMENT:** Cancer et Troubles de l'appareil reproducteur – www.P65Warnings.ca.gov.

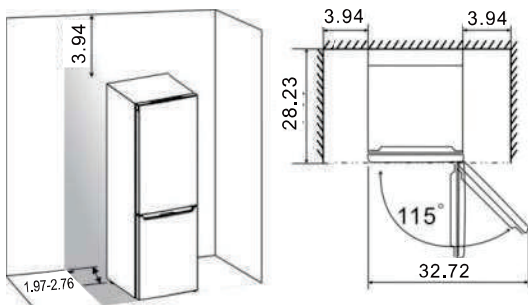
Installation de votre nouvel appareil

Avant d'utiliser l'appareil pour la première fois, prenez connaissance des conseils suivants.

Ventilation de l'appareil



Afin d'améliorer l'efficacité du système de refroidissement et économiser de l'énergie, il est nécessaire de maintenir une bonne ventilation autour de l'appareil. Pour cette raison, un espace suffisant devrait être conservé autour du réfrigérateur. Suggestion : nous vous conseillons de laisser au moins 1.97-2.76 inches d'espace entre l'arrière de l'appareil et le mur, au moins 3.94 inches entre le haut de l'appareil et le plafond, et au moins 3.94 inches sur les côtés, afin de permettre aux portes de s'ouvrir à 115°, comme cela est montré sur les illustrations suivantes :



Remarque :

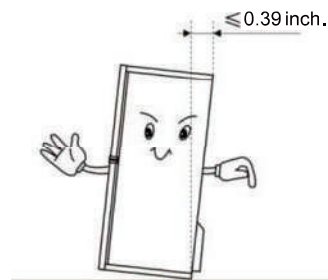
- Cet appareil fonctionne au maximum de ses capacités s'il est utilisé sous les climats mentionnés dans la table ci-dessous. Il ne peut pas fonctionner très bien s'il reste sur une longue période à une température supérieure ou inférieure à celle indiquée.

Climate class	Ambient temperature
SN	50°F to 89.6°F
N	60.8°F to 89.6°F
ST	60.8°F to 100.4°F
T	60.8°F to 109.4°F

- Pour éviter le phénomène de condensation, installez votre appareil, à la verticale, dans un endroit sec.
- Évitez l'exposition directe au soleil, à la pluie ou au gel. Tenez l'appareil à l'écart des sources de chaleur telles que les fours, cheminées ou radiateurs.

Niveler votre appareil

- Pour un nivellement correct et pour que l'air circule correctement autour de l'appareil, vous pouvez ajuster le pied réglable, situé sous l'appareil. Vous pouvez le régler manuellement ou au moyen d'une clé adaptée.
- Pour permettre à la porte de se fermer toute seule, inclinez légèrement l'appareil vers l'arrière, d'environ 0.394 inches.



Inversion de la porte

Le côté duquel la porte s'ouvre peut être inversé, en passant du côté droit (tel que le modèle est livré) au côté gauche, si le lieu d'installation le nécessite. Attention ! Lorsque vous inversez la porte, l'appareil ne doit pas être branché à l'électricité. Assurez-vous que la prise est bien débranchée de la fiche secteur.

Clé à molette 5/16"	Tournevis en croix
Tournevis plat	Clé 5/16"

Outils dont vous aurez besoin

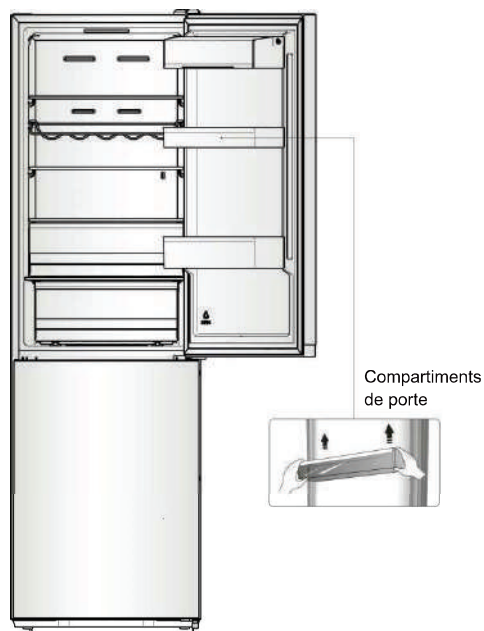
Remarque :

- Si cela est nécessaire, inclinez le réfrigérateur vers l'arrière afin de pouvoir accéder à la base, allongez l'appareil sur un matériau en mousse ou autre matériau similaire, afin de ne pas endommager la structure. Pour inverser le sens de la porte, les étapes suivantes sont généralement recommandées. Les illustrations peuvent varier selon les modèles.

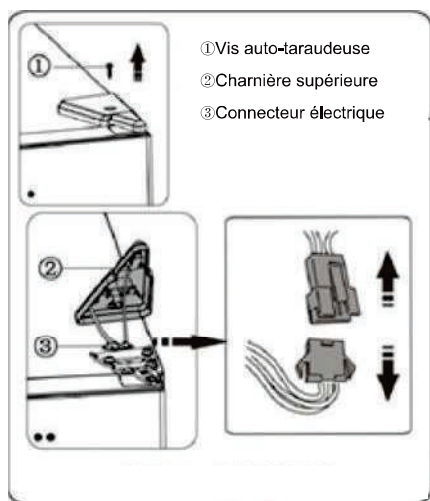
La référence du modèle sera indiquée sur chaque illustration. Si certains éléments ne sont pas représentés sur l'illustration, ignorez la description fournie.

1. Placez le réfrigérateur à la verticale.

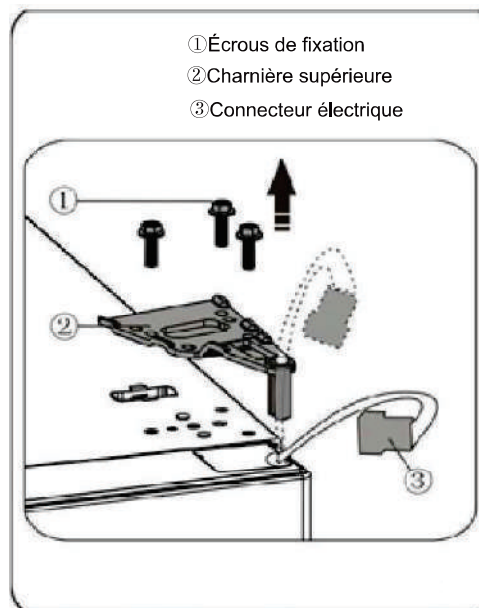
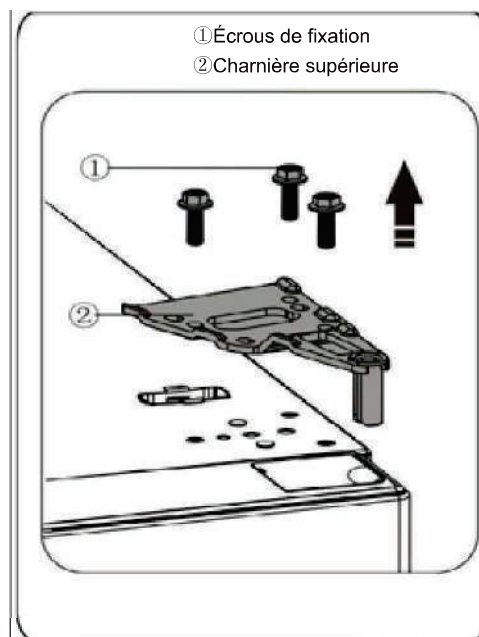
Ouvrez la porte supérieure pour retirer toutes les étagères (pour éviter de les endommager) puis fermez la porte.



2. Retirez la pièce ①, desserrez la pièce ② du côté supérieur droit du réfrigérateur et faites attention au connecteur électrique ③ ci-dessous, car les connecteurs électriques sont toujours connectés. Puis, débranchez les connexions électriques ③ et retirez l'élément ②.



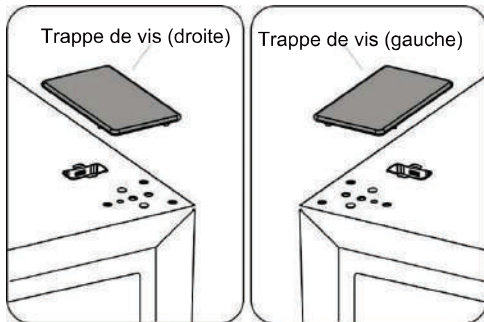
3. Retirez les vis ① et la charnière ②. Puis, faites passer le connecteur ③ par la fente de la charnière ②. (Tenez la porte supérieure pendant l'installation)



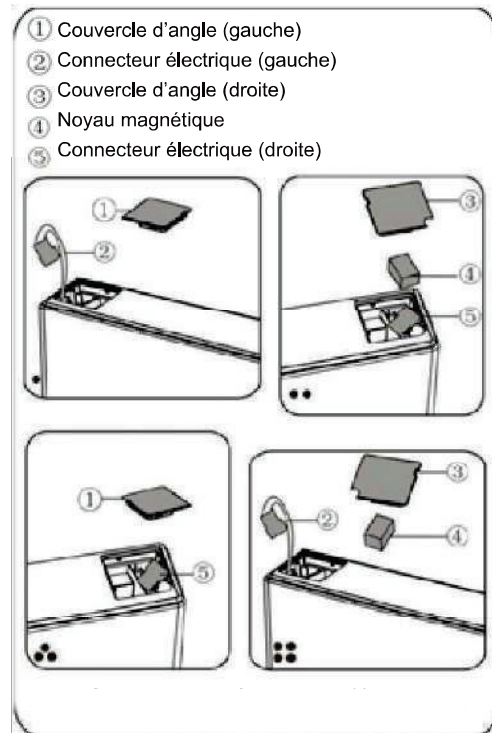
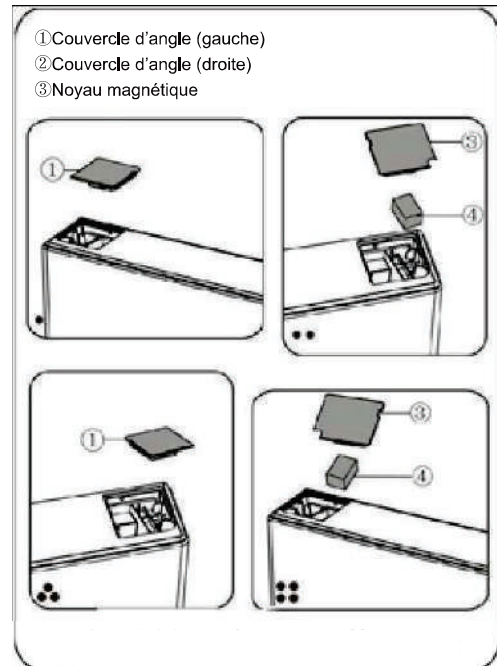
4. Retirez la porte supérieure de la charnière charnière intermédiaire en soulevant délicatement la porte vers le haut. Puis, placez la porte supérieure sur une surface molle, le couvercle vers vous.



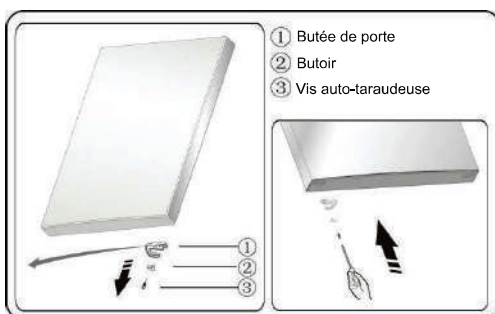
5. Retirez la trappe de vis (droite) de son emballage plastique et installez-le sur le côté supérieur droit du réfrigérateur. Puis, retirez la trappe de vis (gauche) du côté supérieur gauche de l'appareil et mettez-le dans l'emballage plastique.



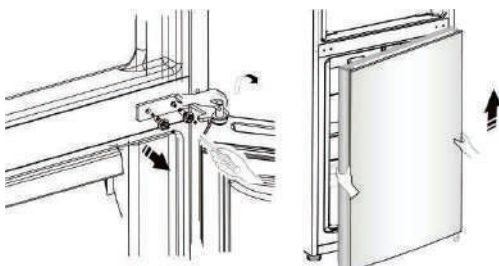
6. Retirez l'élément ① du côté supérieur gauche du couvercle supérieur et retirez l'élément ②. Puis, retirez les éléments ③ et ④ du côté supérieur droit du couvercle supérieur. Placez l'élément ⑤ du côté supérieur droit du couvercle supérieur. Reportez-vous à l'étape précédente, installez l'élément ③ et l'élément ④ du côté supérieur gauche du couvercle supérieur. Installez l'élément ① du côté supérieur droit du couvercle supérieur.



7. Dévissez la vis ③ et retirez l'élément ② puis l'élément ①. Installez la butée gauche de la porte de remplacement ④ (fournie dans l'emballage plastique) ainsi que l'élément ② (butoir) du côté gauche au moyen de la vis ③. Conservez l'élément ① avec l'appareil à titre de référence.



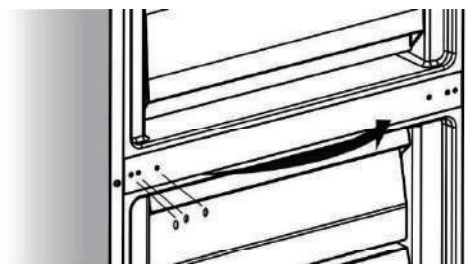
8. Desserrez les vis utilisées pour fixer la charnière intermédiaire, puis retirez-la. Puis, retirez la porte inférieure.



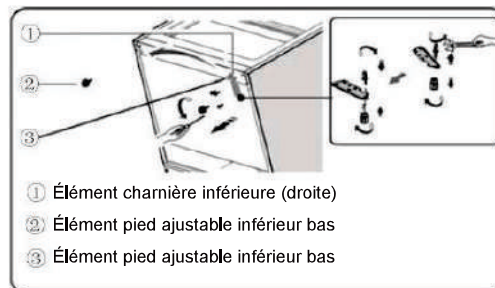
9. Placez la porte inférieure sur une surface molle, la face avant vers vous. Desserrez la vis ③ et retirez les éléments ② et ①, Installez la butée gauche de la porte de remplacement ④ (fournie dans l'emballage plastique) ainsi que l'élément ② (butoir) du côté gauche au moyen de la vis ③. Conservez l'élément ① avec l'appareil à titre de référence.



10. Remplacez les trappes de vis en les faisant passer du côté gauche au côté droit (comme sur l'illustration ci-dessous).



11. Inclinez le réfrigérateur vers l'arrière, retirez l'élément ②.



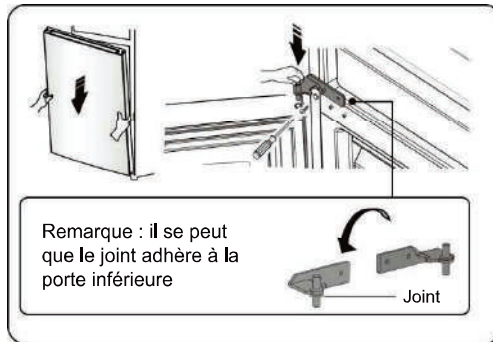
12. Retirez l'élément ③ de la goupille de la charnière inférieure, desserrez-la, changez-la de côté et serrez-la pour la maintenir en place, puis installez l'élément ③ sur la goupille de la charnière inférieure.

13. Retirez l'élément ②.

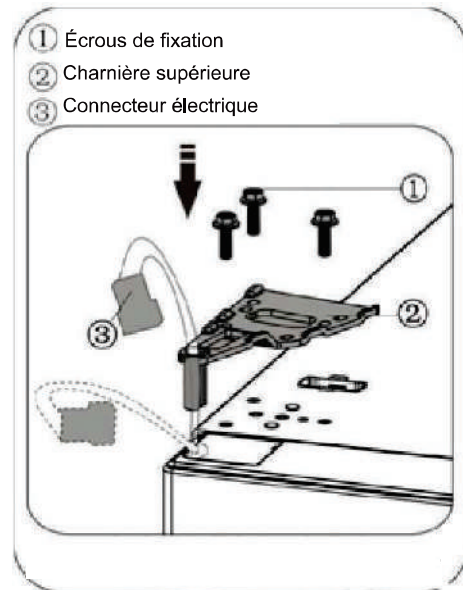
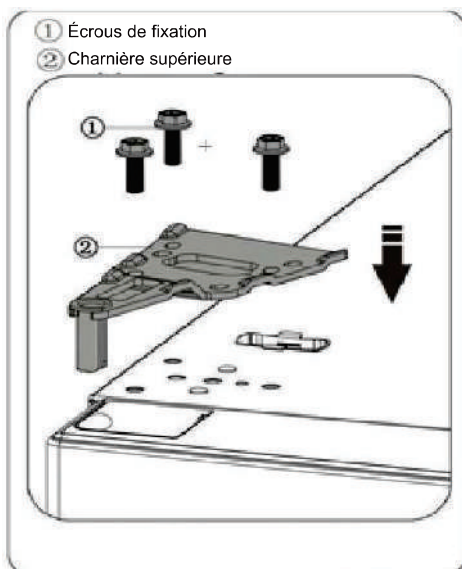
14. Remettez en place les éléments démontés lors de l'étape 11, faites passer l'élément ① du côté gauche et l'élément ② du côté droit.



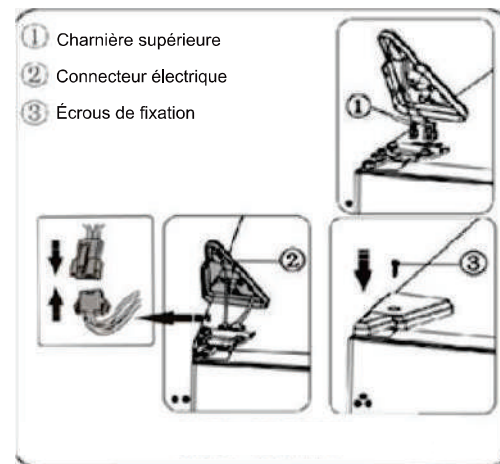
15. Faites glisser la porte inférieure sur la goupille de la charnière inférieure et maintenez le tout en position. Faites pivoter la charnière intermédiaire de 180°, déplacez la rondelle de l'axe vers la partie basse, ajustez la charnière intermédiaire dans la bonne position et installez-la en vérifiant que la porte inférieure est bien en place.



16. Déplacez la porte supérieure dans une position adéquate, puis fixez l'élément ② au moyen des vis ①. Avant de fixer l'élément ②, faites passer le connecteur ③ par la charnière ② en vous reportant à l'étape 3. (Maintenez la porte supérieure manuellement pendant l'installation)



17. Branchez le connecteur électrique ① tel que cela est montré sur l'illustration, puis fixez l'élément ② au moyen de la vis ③. Reportez-vous à l'étape 2.



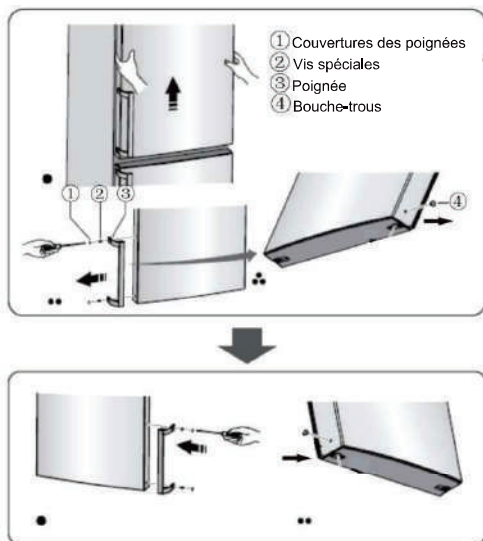
18. Ouvrez la porte supérieure, installez les étagères de porte, puis refermez la porte.

Remarque :

Si votre appareil est muni d'une poignée, vous devrez inverser la poignée en suivant les consignes suivantes. Retirez la porte supérieure et placez-la sur une surface molle, le panneau avant vers vous.

Soulevez l'élément ① et l'élément ④, puis desserrez les vis ②, comme cela est montré sur l'illustration. Déplacez la poignée ③ vers le côté droit, puis installez les éléments ②,

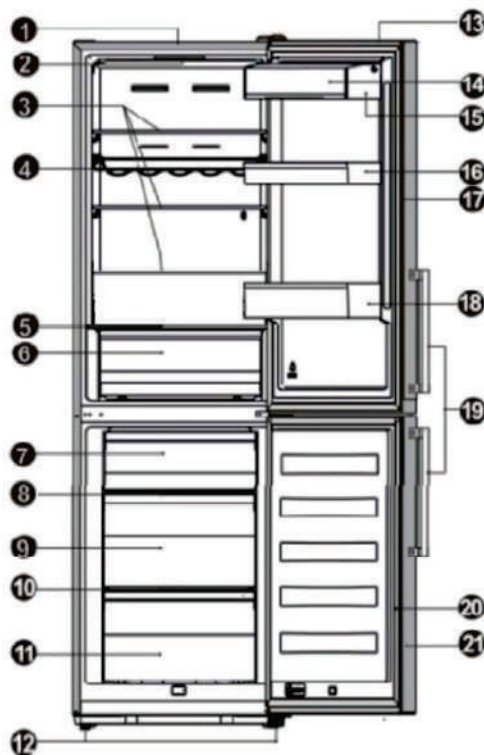
① et ④, les uns après les autres.



Description de l'appareil

1. Armoire
2. Éclairage à LED et panneau d'affichage
3. Étagère en verre
4. Casier à bouteille souple
5. Couverture du bac à légumes
6. Bac à légumes/fruits
7. Compartiment supérieur du congélateur
8. Étagère en verre supérieure du congélateur
9. Compartiment intermédiaire du congélateur
10. Étagère en verre intermédiaire du congélateur
11. Compartiment inférieur du congélateur
12. Pied ajustable
13. Porte du réfrigérateur
14. Couverture de l'étagère supérieure
15. Étagère intermédiaire
16. Étagère supérieure
17. Joint de porte du réfrigérateur
18. Étagère inférieure
19. Poignée (optionnel)
20. Joint de porte du congélateur
21. Porte du congélateur

Vue d'ensemble de l'appareil

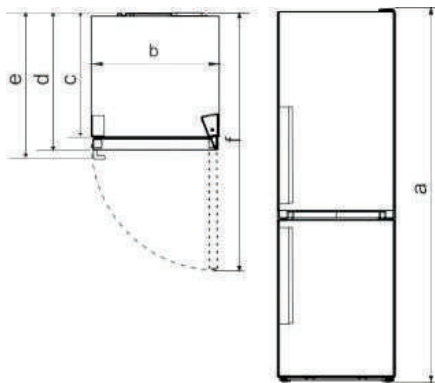


La vue d'un appareil sans distributeur

Remarque : étant donné que nous modifions régulièrement notre gamme de produit, il se peut que votre réfrigérateur soit légèrement différent de celui présenté dans cette notice. Pour plus de place à l'intérieur du congélateur, vous pouvez retirer les bacs (sauf le bac inférieur du congélateur), ainsi que le bac à glaçons.

Specifications Dimensionnelles

a	Hauteur	72.8"
b	Largeur	24"
c	Profondeur de l'armoire	22.4"
d	Profondeur (porte fermee, sans poignee)	25"
e	Profondeur (porte fermee, avec poignee)	27"
f	Profondeur (porte ouverte)	46.9"

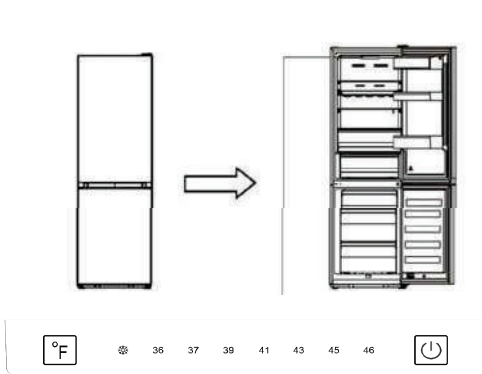
**Caractéristiques technique**

a	Hauteur
b	Largeur
c	Profondeur de l'armoire
d	Profondeur (porte fermée, sans poignée)
e	Profondeur (porte fermée, avec poignée)
f	Profondeur (porte ouverte)

Panneau d'affichage

Panneau d'affichage sur la porte / porte intérieuredoor

Utilisez votre appareil en tenant compte des consignes suivantes. Votre appareil possède les mêmes fonctions et les mêmes modes que ceux indiqués sur l'illustration ci-dessous. Lorsque l'appareil est alimenté en électricité pour la première fois, le rétroéclairage des icônes du panneau d'affichage se met en route. Si aucune touche n'est enclenchée et que les portes restent fermées, le rétroéclairage s'arrête.



Panneau d'affichage à l'intérieure de la porte

Contrôle de la température

Nous recommandons que lorsque vous démarrez votre réfrigérateur pour la première fois, la température du réfrigérateur soit réglée à 39°F. Si vous souhaitez modifier la température, suivez les instructions ci-dessous.

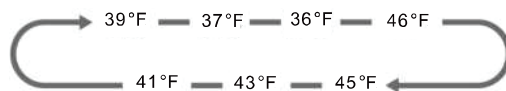
Attention !

Lorsque vous configurez une température, vous réglez une température pour l'ensemble du réfrigérateur. Les températures à l'intérieur de chaque compartiment

peuvent varier de celles indiquées par le panneau d'affichage, en fonction du volume d'aliments stockés et de leur emplacement. La température ambiante peut aussi avoir des répercussions sur la température à l'intérieur du réfrigérateur.

1. Réfrigérateur

- Appuyez sur Temp (panneau d'affichage sur la porte) pour régler la température du réfrigérateur entre 36°F et 46°F en fonction de vos besoins, et le panneau d'affichage affichera les valeurs correspondantes selon la séquence suivante.
- Appuyez sur "°F" (panneau d'affichage à l'intérieure de la porte) pour régler la température du réfrigérateur entre 36°F et 46°F en fonction de vos besoins, et le panneau d'affichage affichera les valeurs correspondantes selon la séquence suivante.



2. Mode

- Vous pouvez sélectionner différents modes en fonction de vos besoins en appuyant sur le bouton Mode (panneau d'affichage sur la porte) sur le panneau d'affichage, et l'icône correspondante s'allumera.
- Vous pouvez sélectionner différents modes en fonction de vos besoins en appuyant sur le bouton "°F" (panneau d'affichage sur la porte) sur le panneau d'affichage, et l'icône correspondante s'allumera.

Congélation Rapide (❄)

Le mode congélation rapide permet de faire descendre rapidement la température et de congeler vos aliments plus vite que d'ordinaire. Cette fonction vous permet de conserver les vitamines et nutriments des aliments frais sur une plus longue période.

- Vous pouvez appuyer sur " **F** " (panneau d'affichage à l'intérieur de la porte) pendant 3 secondes pour passer en mode Super Freezer (super congélateur).
- Vous pouvez appuyer sur **Mode** (panneau d'affichage sur la porte) pour passer en mode Super Freezer (super congélateur).
- Lorsque le mode Super Freezer (super congélateur) est sélectionné, la lumière s'allume et la température du congélateur est réglée à -13°F (température ambiante inférieure à 68°F) ou à -22°F (température ambiante supérieure à 68°F).
- Si vous stockez une quantité maximum d'aliments, veuillez patienter 24 heures.
- Le mode Super Freeze s'éteint automatiquement après 52 et la température du congélateur revient au réglage précédent.

Commutateur / SWITCH (⏻)

(pas le mode super freeze - Super congélation)

Vous pouvez mettre votre appareil sous/ hors tension au moyen de cette touche.

- Appuyez sur **⏻** pendant 3 secondes. Lorsqu'un bop résonne, l'appareil est mis hors tension.
- Appuyez sur **⏻** pendant 1 seconde. Lorsqu'un bop résonne, l'appareil est mis hors tension.

Alarme (Panneau d'affichage sur la porte)

- Si la porte du congélateur ou du réfrigérateur reste ouverte plus de 2 minutes, l'alarme de porte se met à sonner. En cas d'alarme, celle-ci sonnera 3 fois toutes les minutes et s'éteindra automatiquement après 8 minutes.
- Pour économiser de l'énergie, évitez de laisser la porte ouverte trop longtemps lorsque vous utilisez l'appareil. L'alarme de porte s'éteint lorsque vous refermez la porte.

Utilisation de votre appareil

Votre appareil est fourni avec un nombre d'accessoires spécifiques. Cette rubrique vous explique comment utiliser ces accessoires.

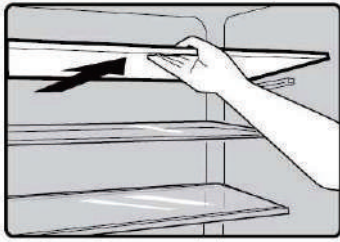
Étagère de porte

- Idéale pour ranger les tasses, canettes, bouteilles, aliments sous vide etc. N'y rangez pas d'éléments trop lourds.



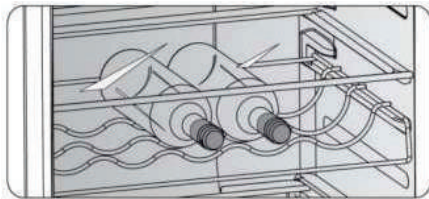
Étagère du réfrigérateur

- Le réfrigérateur est équipé de trois étagères, qui sont amovibles pour pouvoir être nettoyées.



Casier à bouteilles souple (facultative)

- Idéal pour stocker le vin en bouteilles ou autres liquides. Amovible pour être nettoyé.



Mode 0°C Cooling Plus (Compartiment de réfrigération)

- Vous pouvez y ranger du poisson, de la viande et autres aliments périssables.

Remarque: selon la température ambiante et les réglages de température, la température du mode 0°C Cooling Plus (Compartiment de réfrigération) peut légèrement varier. La température du mode 0°C Cooling Plus (compartiment de réfrigération) peut être amenée à changer. Cette température peut être inférieure à zéro; il est donc normal que les liquides entreposés dans ce compartiment gèlent.

Couvercle du bac à légumes

- Permet de réguler la température du bac à légumes et d'éviter que les fruits/légumes ne pourrissent.

Bac à légumes/fruits

- Idéal pour stocker fruits et légumes.

Bac de congélation

- Permet de stocker les aliments qui doivent être congelés, tels que les viandes, poissons, crèmes glacées, etc.

Conseils et astuces pratiques

Conseil d'économie d'énergie

Nous vous recommandons de suivre les conseils suivants pour économiser de l'énergie.

- Essayez de ne pas laisser la porte ouverte pendant longtemps pour préserver l'énergie.

- Assurez-vous que l'appareil se situe loin de toute source de chaleur (soleil direct, chauffage, etc.)

- Ne réglez pas la température plus froid qu'il n'est nécessaire.
- Ne stockez pas d'aliments chauds ou de liquide évaporant dans l'appareil.
- Placez l'appareil dans une pièce bien aérée et sans humidité. Veuillez vous référer au chapitre sur l'installation de votre appareil.
- Suivez les recommandations de l'image affichant le positionnement des étagères et autres compartiments de l'appareil. Il s'agit de la position idéale pour économiser de l'énergie.

Conseils pour la réfrigération d'aliments frais

- Ne placez pas d'aliments chauds directement dans le réfrigérateur ou le freezer, la température interne augmenterait ce qui demanderait au compresseur de tourner plus et consommerait donc plus d'énergie.
- Couvrez ou enveloppez les aliments, en particulier s'ils ont une odeur forte.
- Placez les aliments correctement pour que l'air puisse circuler librement.

Conseils de réfrigération

- Viande(ToutType): A envelopper et placez sur l'étagère en verre au-dessus du compartiment à légumes.

- Aliments cuits, plats froids, etc.:

Ils doivent être couverts et peuvent être placés sur n'importe quelle étagère.

- Fruit et légumes:

A stocker dans le compartiment prévu à cet effet.

- Beurre et fromage:

A envelopper dans du papier aluminium ou du cellophane.

- Lait: Doit être stocké sur les étagères de la porte.

Conseils de congélation

- Lors de la première utilisation ou après une longue période sans utilisation, allumez l'appareil pendant au moins 2 heures avant d'y stocker des aliments.
- Préparez la nourriture en petite portion pour qu'elle congèle rapidement et également permettre de n'avoir à décongeler que les quantités nécessaires.
- Envelopper les aliments dans du papier aluminium ou du cellophane.
- Ne laissez pas les aliments frais toucher ceux qui sont déjà congelés afin d'éviter une augmentation de la température.
- Les produits congelés, s'ils sont consommés immédiatement après les avoir sortis du freezer, peuvent causer des brûlures de froid.
- Il est recommandé de dater chaque produit congelé afin de garder une trace du temps de stockage.

Conseils pour le stockage de produits congelés

- Assurez-vous que le produit congelé a été stocké correctement dans le point de vente.
- Une fois décongelée, la nourriture se détériorera rapidement et ne doit pas être recongelée. Ne dépassez pas la date de stockage limite indiqué par le fabricant.

Éteindre votre appareil

Si vous avez besoin d'éteindre l'appareil pour une longue durée, les étapes suivantes doivent être suivies pour éviter la création de moisissures.

1. Retirez toute la nourriture.
2. Débranchez la prise.
3. Nettoyez et séchez l'intérieur soigneusement.
4. Assurez-vous que les portes restent ouvertes pour que de l'air circule.

Nettoyage et entretien

Pour des raisons d'hygiène, l'appareil (y compris l'extérieur et les accessoires) doivent être nettoyés régulièrement, au moins tous les 2 mois.

Attention ! L'appareil ne doit pas être branché durant le nettoyage. Risque de choc électrique! Éteignez et débranchez l'appareil avant de le nettoyer.

Nettoyage de l'extérieur

Pour maintenir une bonne apparence de votre appareil, vous devriez le nettoyer régulièrement.

-Essuyez le panneau digital et d'affichage avec un tissu doux et propre.
-Aspergez de l'eau sur le tissu plutôt que sur la surface de l'appareil. Cela assure une bonne répartition de l'humidité sur la surface.

-Nettoyez les portes, les poignées et les surfaces avec un détergent doux et essuyez-les ensuite.

Attention !

-N'utilisez pas d'objets coupant car ils peuvent rayés les surfaces.
-N'utilisez pas de diluant, détergent pour voiture, Clorox, huile étherée, nettoyants abrasifs et de solvants organiques comme le benzène. Ils peuvent endommager les surfaces et prendre feu.

Nettoyage de l'intérieur

Nettoyez l'intérieur de l'appareil régulièrement. Il est plus facile de le faire quand il est moins rempli. Essuyez l'intérieur du freezer avec une solution de bicarbonate de sodium et rincez-le avec de l'eau chaude en utilisant une éponge ou un tissu essoré. Séchez correctement avant de replacer les étagères et autres pièces amovibles. Bien que cet appareil se dégivre automatiquement, une couche de givre peut apparaître sur

Les parois intérieures du freezer si les portes sont ouvertes fréquemment ou trop longtemps. Si la couche est trop épaisse, choisissez un moment où le stock de

nourriture est bas et suivez les instructions suivantes:

1. Retirez les aliments et les paniers, débranchez l'appareil et laissez la porte ouverte. Aérez la pièce pour accélérer le processus.

2. Lorsque le dégivrage est terminé, nettoyez le freezer comme indiqué plus haut.

Attention! N'utilisez pas d'objets coupant pour enlever le givre du freezer. Ne rebranchez et ne rallumez l'appareil qu'une fois l'intérieur complètement sec.

Nettoyage du tiroir de la salle de réfrigération :

Pour mieux nettoyer les petits trous sur le tiroir de la salle de réfrigération, vous pouvez utiliser une brosse similaire à celle illustrée sur la figure ci-dessous.



Nettoyage du tiroir de la salle de réfrigération

Nettoyage des joints de porte Nettoyez bien les joints de porte. Les aliments collants et les boissons peuvent coller au cabinet et détacher les joints lorsque vous ouvrez la porte. Nettoyez les joints avec un détergent doux et de l'eau chaude. Rincez-les et faites-les bien sécher.

Attention ! Ne rallumez l'appareil qu'une fois les joints complètement secs.

Remplacer les lampes LED :

Attention : Les lampes LED ne doivent pas être remplacées par l'utilisateur ! Si la lampe est endommagée, contactez le service clientèle pour obtenir de l'aide. Voici les étapes pour remplacer les lampes LED:

1. Débranchez l'appareil.
2. Retirez le cache en le poussant et en le soulevant en même temps.
3. Tenez le cache d'une main et appuyez sur le verrou de connexion avec l'autre.
4. Remplacez la lampe LED en la positionnant correctement.

Dépannage

Si vous avez des problèmes avec votre appareil ou si vous pensez qu'il ne fonctionne pas correctement, vous pouvez effectuer quelques vérifications simples avant d'appeler le service clientèle.

Attention! N'essayez pas de réparer l'appareil vous-même. Si le problème persiste après avoir vérifié les indications ci-dessous, contactez un électricien qualifié, un technicien de maintenance agréé ou le magasin dans lequel vous avez acheté l'appareil.

Problème	Causes possibles et Solutions
L'appareil ne fonctionne pas correctement	Vérifiez que le câble d'alimentation soit correctement branché.
	Vérifiez le fusible ou le circuit de votre alimentation électrique et remplacez si nécessaire.
	La température ambiante est trop basse. Essayez de remonter la température de la pièce.
	Il est normal que le freezer ne fonctionne pas durant le cycle de dégivrage automatique ou pendant une courte période après rallumage de l'appareil pour protéger le compresseur.
Odeurs dans les compartiments	L'intérieur peut nécessiter un nettoyage.
	Certains aliments, conteneurs ou emballages peuvent causer des odeurs.
Bruit de l'appareil	Les bruits suivants sont normaux : <ul style="list-style-type: none"> • Bruit du compresseur en fonctionnement. • Bruit de ventilation créé par le petit ventilateur du freezer et des autres compartiments. • Bruit de gargouillement similaire à de l'eau bouillante. • Bruit de mise sous tension durant le dégivrage automatique. • Cliquetis avant que le compresseur ne démarre.
	D'autres bruits inhabituels sont causés par les raisons suivantes et peuvent demander votre attention: Le cabinet n'est pas à niveau. L'arrière de l'appareil touche le mur. Bouteilles ou conteneurs roulant ou tombant.
Le moteur tourne continuellement	Il est normal de fréquemment entendre le bruit du moteur, il devra tourner encore plus dans les circonstances suivantes: <ul style="list-style-type: none"> • Les paramètres de température sont plus froids que nécessaires. • Une large quantité de nourriture chaude a récemment été stockée dans l'appareil. • La température en-dehors de l'appareil est trop élevée. • Les portes sont ouvertes trop souvent et trop longtemps. • Si vous venez juste d'installer l'appareil ou que vous le rallumez après un long moment d'inutilisation, time.
Une couche de givre se dépose dans le compartiment	Vérifiez que les sorties d'air ne soient pas bloquées par de la nourriture et assurez-vous que les aliments stockés permettent une aération suffisante. Assurez-vous que la porte soit bien fermée. Pour dégivrer, veuillez vous référer au chapitre d'entretien et de nettoyage.

La température interne est trop élevée	Vous avez peut-être laissé les portes ouvertes trop longtemps ou trop fréquemment ou les portes restent ouvertes à cause d'un obstacle ; ou l'espace autour de l'appareil n'est pas suffisant.
La température interne est trop basse	Augmentez la température en suivant le chapitre «Commandes de Contrôle».
Les portes ne se ferment pas facilement	Vérifiez si le haut du réfrigérateur est incliné vers l'arrière par 10 -15mm qui permet l'auto-fermeture des portes, ou si il existe quelque chose à l'intérieur qui empêche les portes de se fermer.
De l'eau coule sur le sol	Le réservoir d'eau (situé à l'arrière du réfrigérateur) n'est peut-être pas à niveau ou le dégorgeoir (situé sous le haut du compresseur) peut ne pas être dirigé correctement vers ce réservoir ou peut être bloqué. Vous aurez peut-être besoin de tirer le réfrigérateur pour vérifier le réservoir et le dégorgeoir.
La lumière ne fonctionne pas	<ul style="list-style-type: none"> • La lumière peut être endommagée. Référez-vous au chapitre sur le nettoyage et l'entretien des lumières LED. • Le système de contrôle a désactivé les lumières car la porte a été ouverte trop longtemps. Fermez la porte et rouvrez-la pour réactiver les lumières.

Recyclage de cet appareil

Il est interdit de disposer de cet appareil comme d'un déchet ménager.

Emballages

Les emballages avec le symbole de recyclage sont recyclables. Disposez de ces emballages dans les conteneurs appropriés.

Avant le recyclage de l'appareil

1. Retirez la prise électrique.
2. Coupez le câble d'alimentation et jetez-le avec la prise principale.

Attention! Les réfrigérateurs contiennent des réfrigérants et des gaz. Les réfrigérants et les gaz doivent être disposés professionnellement car ils peuvent entraîner des blessures aux yeux ou s'enflammer.

Assurez-vous que les tuyaux du circuit réfrigérant ne soient pas endommagés avant de disposer de l'appareil.

