

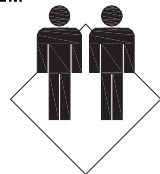
USER'S MANUAL Chest & Cabinet Combo

THIS INSTRUCTION BOOKLET CONTAINS **IMPORTANT** SAFETY INFORMATION. PLEASE READ AND KEEP FOR FUTURE REFERENCE.

Please give us a chance to make it right and do better!

Contact our friendly customer service department for help first.
Replacements for missing or damaged parts will be shipped ASAP!

FLOOR AREA
2MX2M



ASSEMBLED BY 2 ADULTS

Follow Costway
Visit us: www.costway.com



Important

When you open the cartons, carefully check the contents and make sure there is no damage. If you have any problems or you find any parts damaged or missing, Please contact us first.

Do not return the product to the store before contacting us. Do not dispose of your cartons until you are completely satisfied with your products.

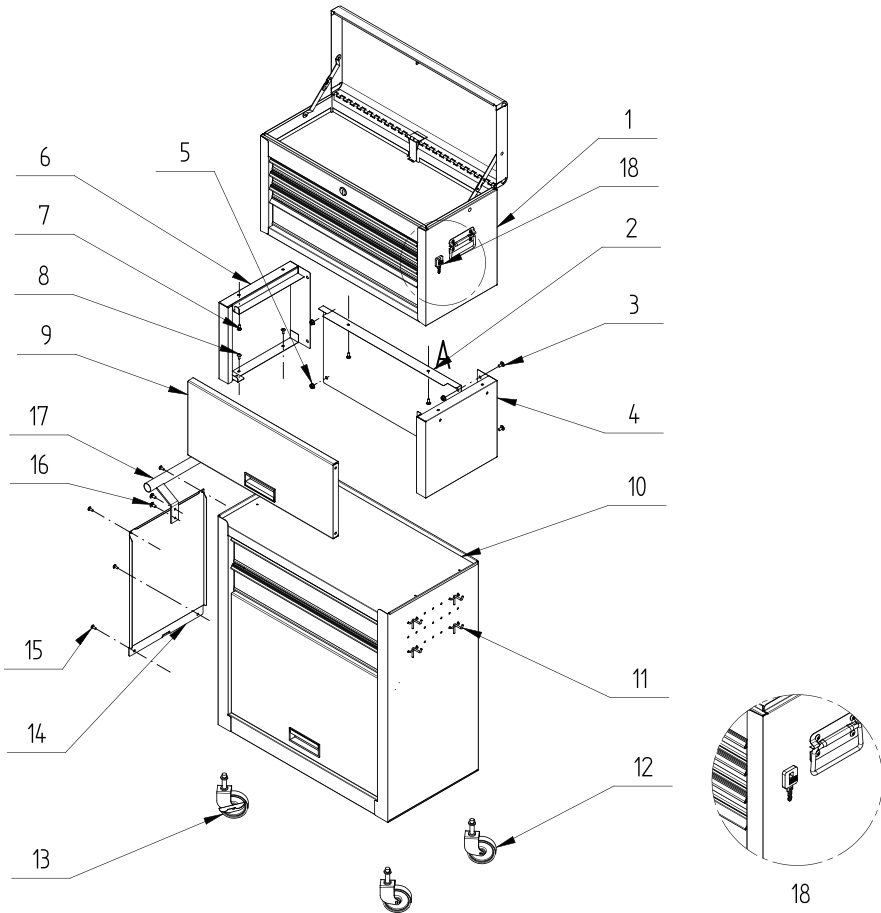
To reduce the risk of injury, the user should read and understand this owner's manual before assembling and using these products for the first time.

Safety Guidelines

- WARNING** Use two or more people to move, assemble, and install the product to avoid any injury.
- WARNING** DO NOT leave children unattended near the product.
- WARNING** DO NOT stand on the product or lean on the drawers or worktop.
- WARNING** WEAR SAFETY GLASSES when removing or repositioning the slides. The tools could slip, which may cause personal injury.
- WARNING** DO NOT alter the product in any manner. For example, do not weld external lock bars or attach unapproved electrical equipment. This may cause product damage, personal injury, or death.
- WARNING** DO NOT OVERLOAD PRODUCTS ! The components of the product are designed to maximum weight capacities 100kgs(220lbs).
- CAUTION** BE CAREFUL when opening more than one drawer. The product could become unstable and tip, which may cause product damage or personal injury.
- CAUTION** High risk of tipping if the product is not installed correctly. Securely attach the product to the wall to avoid serious injury.

Unpacking

1. Please make sure you have received all your packages for this product.
2. Start by placing the package on flat covered ground.
3. Remove all cardboard, honey comb board, foam packaging material and clear plastic bags.
4. Recycle all packaging materials.
5. Verify all the contents are included and gather the tools required.



Parts List

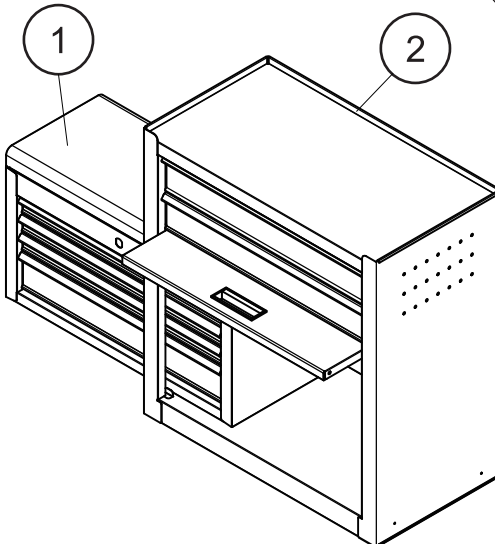
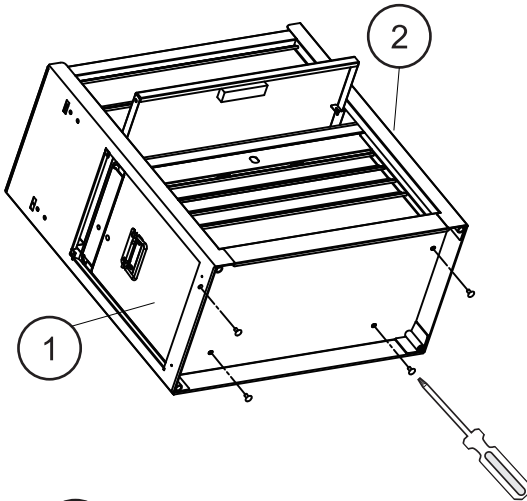
NO.	Description	Qty	NO.	Description	Qty
1	Top chest	1	10	Roller cabinet	1
2	Back panel	1	11	Hook	4
3	M6x12 bolt	4	12	Caster	2
4	Right panel	1	13	Caster with brake	2
5	M6 nut	4	14	Side panel	1
6	Left panel	1	15	Tapping screw 4x8	4
7	M5x12 bolt	4	16	M6x12 bolt	4
8	Tapping screw 5x10	4	17	Handle	1
9	Door	1	18	Key	2

Remove Chest

Place cabinet on a level surface.

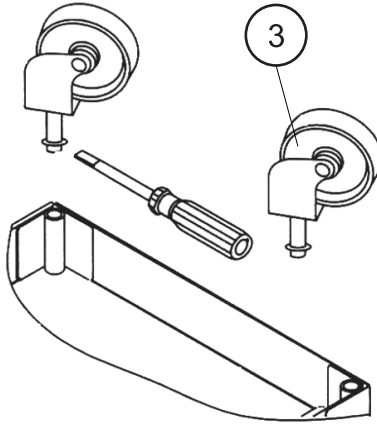
Remove the screws holding the chest inside the cabinet

Slowly remove chest from the cabinet



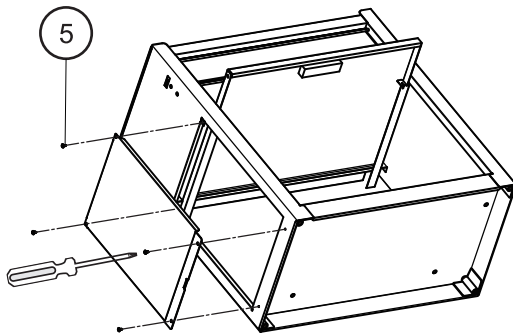
Caster Assembly

Slightly spread apart split bearing on shaft if it fits loose.
Crimp split bearing slightly with pliers.
Make only slight adjustments until caster fits properly.

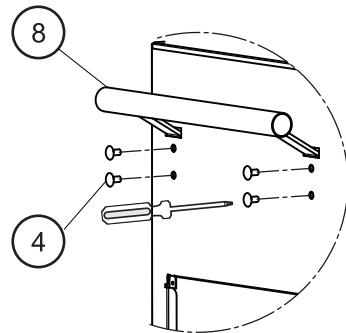


Assemble Side Panel

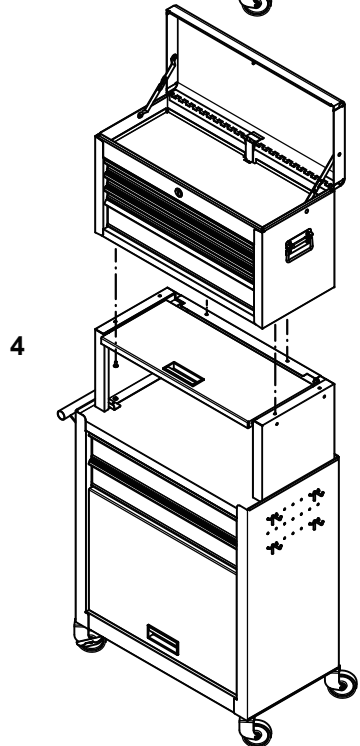
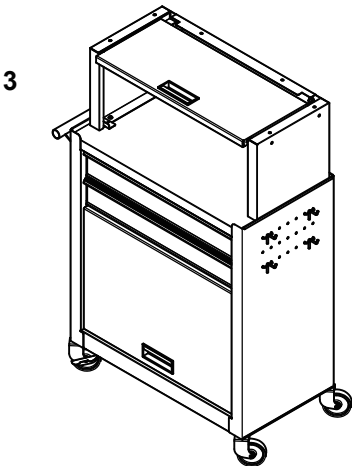
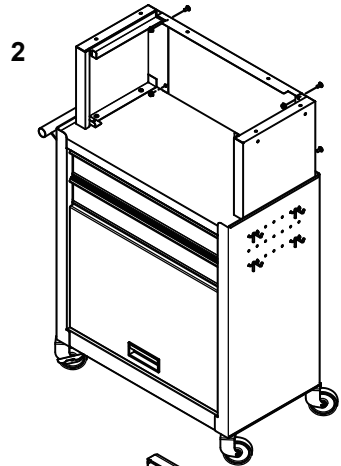
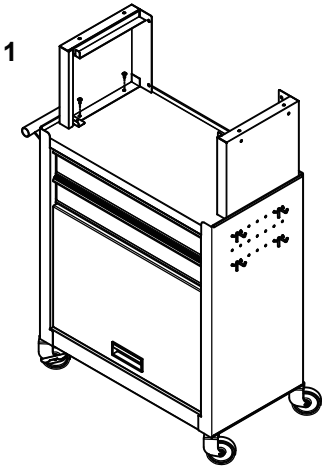
Assemble screws with a screwdriver.



Handle Assembly



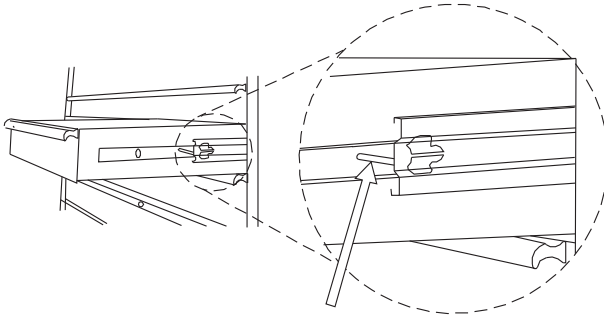
Middle Chest Assembly



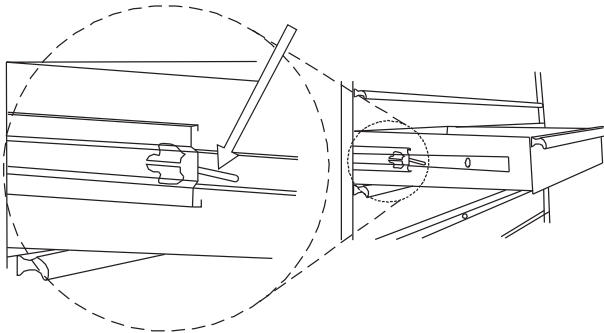
WARNING

- a) Lubricate the top and the bottom channels of the drawer slides at least twice a year.
- b) Do not open more than one loaded drawer at a time.
- c) The maximum loading capacity is 90kgs(200lbs).

PUSH UP (ONE SIDE)



PUSH DOWN (OTHER SIDE)



WARNING:

This product contains chemicals known to the State of California to cause cancer and birth defects or other harm. Wash hands thoroughly after handling. Failure to heed these warnings may result in personal injury and/or property damage.

Welcome to visit our website and purchase our quality products!

Your suggestions and comments for COSTWAY are really important to us!
We sincerely solicit you to go back to our shop and leave a good rating in just a simple click. It would be quite encouraging if you could kindly do so like below:

★★★★★ Great products so far

February 24, 2019

Great products so far. Fast delivery, easy setup, and working without any issues.

With your inspiring rating, COSTWAY will be more consistent to offer you
EASY SHOPPING EXPERIENCE, GOOD PRODUCTS and EFFICIENT SERVICE!

US office: Fontana, California

UK office: Ipswich



- * Reward Points
- * Exclusive Customer Service
- * Personalized Recommendations
- * Permanent Shopping Cart
- * Order History

5 Star Rating



We would like to extend our heartfelt thanks to
all of our customers for taking time to assemble
this product and giving us valuable feedbacks.

THANK
you
☺

