

COSTWAY®



USER'S MANUAL
12 Volt RC Ride-On Car
TY327440

THIS INSTRUCTION BOOKLET CONTAINS **IMPORTANT** SAFETY INFORMATION. PLEASE READ AND KEEP FOR FUTURE REFERENCE.

Please give us a chance to make it right and do better!

Contact our friendly customer service department for help first.

Replacements for missing or damaged parts will be shipped ASAP!

Follow Costway

Visit us: www.costway.com



Contact Us!

Do NOT return this item.

Contact our friendly customer service department for help first.



Before You Start

- ⚠ Please read all instructions carefully.
- ⚠ Retain instructions for future reference.
- ⚠ Separate and count all parts and hardware.
- ⚠ Read through each step carefully and follow the proper order.
- ⚠ We recommend that, where possible, all items are assembled near to the area in which they will be placed in use, to avoid moving the product unnecessarily once assembled.
- ⚠ Always place the product on a flat, steady and stable surface.
- ⚠ Keep all small parts and packaging materials for this product away from babies and children as they potentially pose a serious choking hazard.



WARNING!

•To reduce the risk of injury, adult supervision is required. Never use it in roadways, around motor vehicles, steep inclines or steps, swimming pools or other water bodies. Always wear shoes and helmets.

•**Limited to one person.**

•**TO PREVENT FIRE AND ELECTRIC SHOCK:**

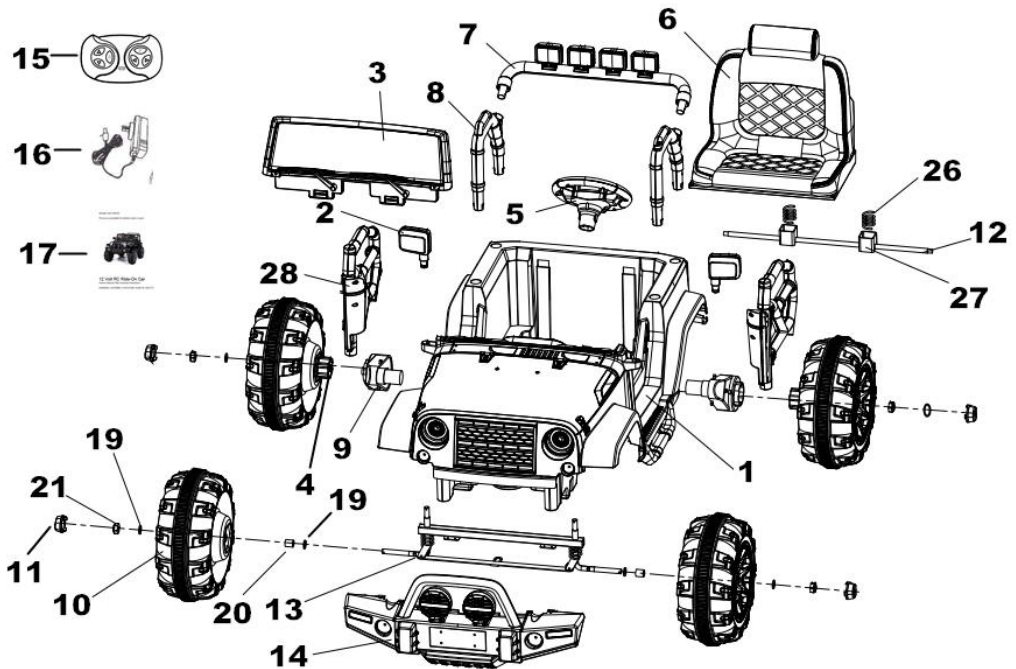
- Only use batteries and chargers provided or specified by the manufacturer. Using the wrong type of batteries or chargers could cause a fire or explosion.
- DO NOT** use the batteries or chargers on any other product.Or overheating,fire or explosion could occur.
- NEVER** modify the circuit system. Alterations could cause a shock,fire or explosion.
- DO NOT** pour any type of liquid on the batteries or other components. Explosive gases are produced during charging.
- DO NOT** charge near heat or flammable materials. Charge in a well-ventilated area ONLY.Charge in a dry area ONLY.
- DO NOT** open the batteries. Batteries contain lead and other toxic and crossive materials
- DO NOT** open the chargers. Exposed wiring and circuitry may cause electric shock
- ONLY ADULTS** can handle or charge the batteries. NEVER allow child to handle or charge the batteries. Batteries are heavy and contain lead acid (electrolyte)
- DO NOT** drop the batteries.Otherwise permanent damage or other serious injury to the batteries would occur.
- Before charging, check the wear and damage of the battery,charger and the connectors.
- DO NOT** charge the battery if any damage to parts has occurred. Please contact the dealer or manufacturer to replace the parts ONLY.
- DO NOT** allow the battery to drain completely; charge the battery after each use or at least once a month if not used regularly.
- DO NOT** charge battery upside down.
- Always make sure that the battery is fixed with the bracket.Otherwise,battery can fall out and even injure a child if the vehicle tips over. Risk of fire. Do not bypass.
- If a battery leaks**, avoid it from contacting with the leaking acid and put the damaged battery into a plastic bag.Refer to information in “Disposal of Battery ”for proper disposal.
- If acid comes in contact with skin or eyes**, rinse with cool water for at least 15 minutes and call for a doctor.
- If mistakenly take a large number of acid,take a large amount of** water,milk of magnesia or egg-white immediately. Call a physician.

Specification instruction

Name	Specification
Battery	12V7AH*1
Fuse	15A
Motor	12V*2
Applicable age	3-7 years old
Maximum load	66 LBS
Charge time	Charge 8-12 hours
Charger	12V1000MA
Speed	3-6KM/h

※Above parameters are selected for customers, the specific parameters is based on the actual sample.

Parts List



Parts List

No.	Name of accessory	Qty	No.	Name of accessory	Qty
1	Car body	1	16	Charger	1
2	Rearview mirror	2	17	Instructions	1
3	Windshield	1	18	Fix screw of seat (4*12 flat head)	2
4	Driven connector (Rear wheel)	2	19	M10 washer of wheel	6
5	Steering wheel	1	20	Axle bushing of wheel	2
6	Seat	1	21	M10 anti-loose nut of wheel	4
7	Rear tail frame	1	22	Fix screw of front wheel shaft (4*12 flat head)	8
8	Side tail frame	2	23	Fix screw of drive plum blossom (4*12 round head)	6
9	Driven motor	2	24	Fix screw of back tail frame (3*12 round head)	2
10	Wheel	4	25	Fix screw of front bumper (4*12 flat head)	6
11	Wheel cover	4	26	Shocking proof spring	2
12	Rear wheel axle	1	27	Shocking proof plastic parts	2
13	Front wheel axle	1	28	Car door	2
14	Front bumper	1			
15	Remote controller	1			

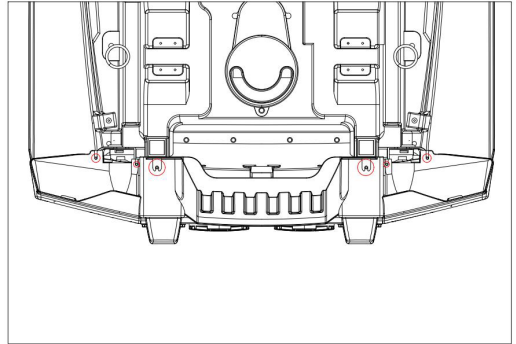
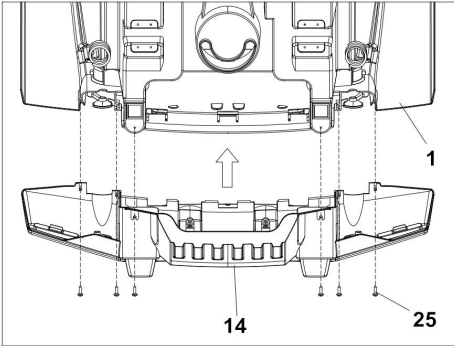
Owners Manual With Assembly Instructions

WARNING: ASSEMBLY SHOULD BE DONE BY ADULTS

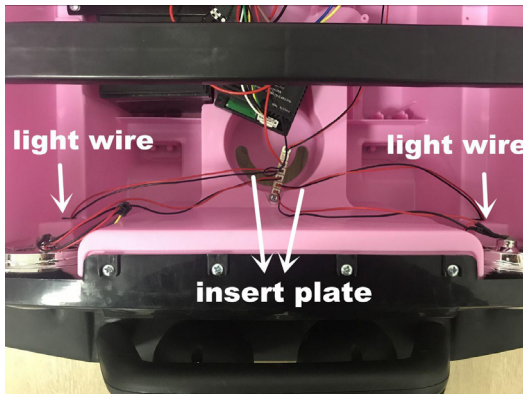
Installation instructions

1. Install front bumper

① Push out the front air cover fastener which is already installed on car body well, then align the groove of front bumper to this and insert in, align the front bumper to the screw hole of car body, use six pieces 4*12 flat head screws to fix.



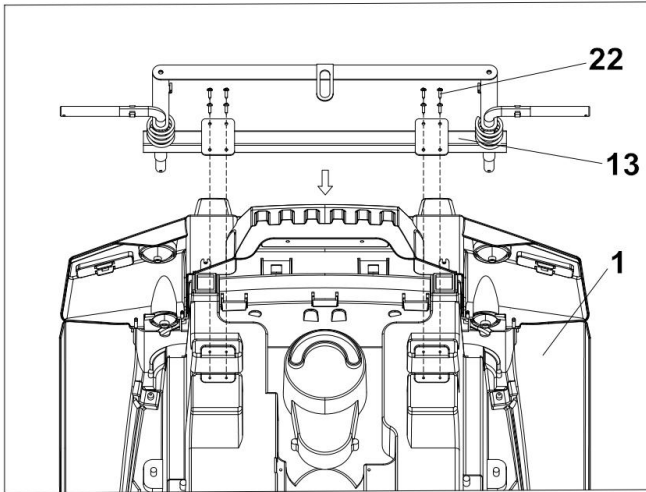
② pass the left and right front headlight wire through the holes on both sides on the bottom of the vehicle, align to the inner insert plate inside the vehicle head, just insert it .



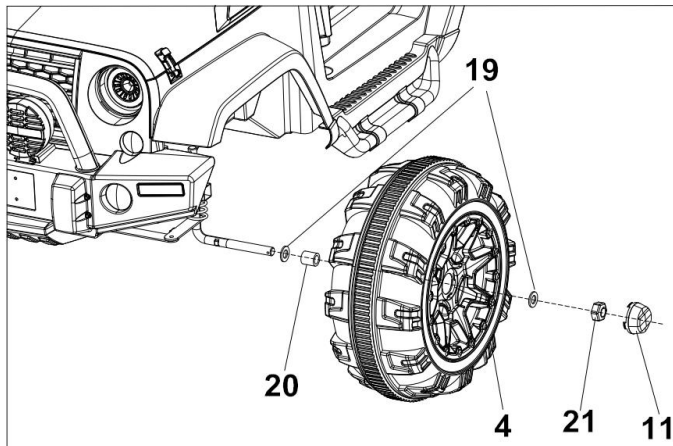
2. Install front wheel and rear wheel

① Install front wheel:

1) align the front wheel shaft with the car body screw hole, fix it by 8 pieces 4*12 screws.

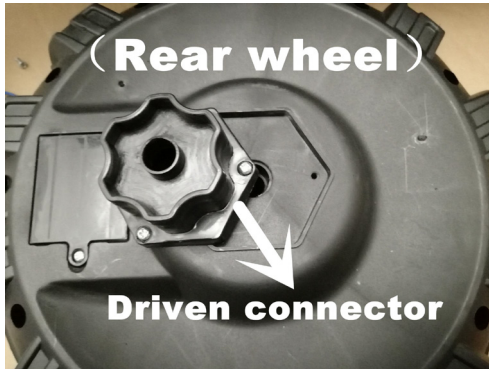


2) put one M10 pad on the front wheel shaft on both sides, put one shaft bush (Black plastic) into two wheels respectively, then install these two wheels on the front wheel shaft respectively, then place one M10 pad on each side of two rear wheels, use one anti loose nut to fix finally .Press the wheel cover on the wheel.

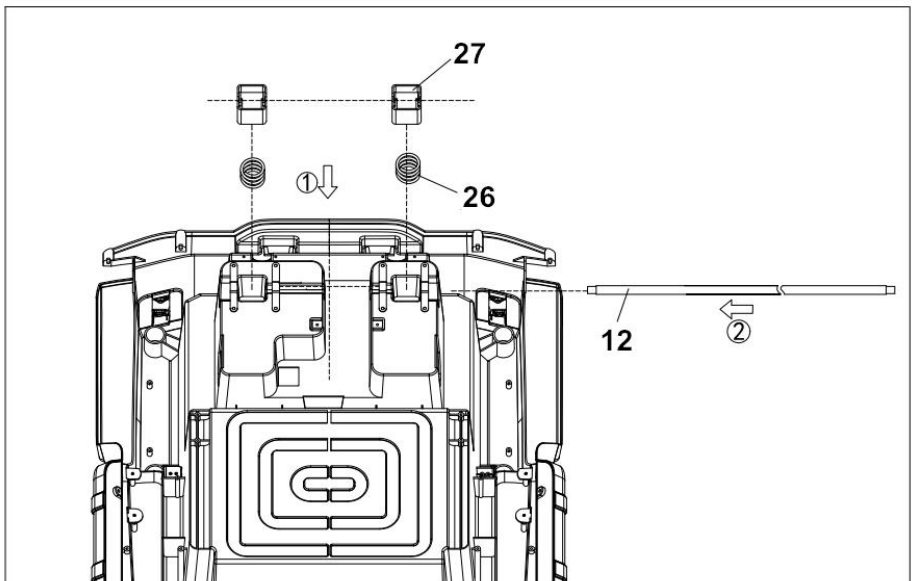


② Install rear wheel:

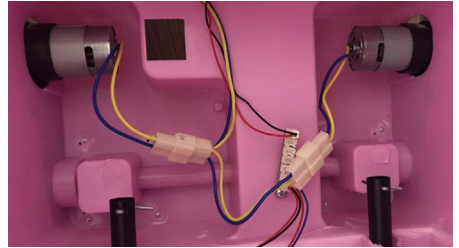
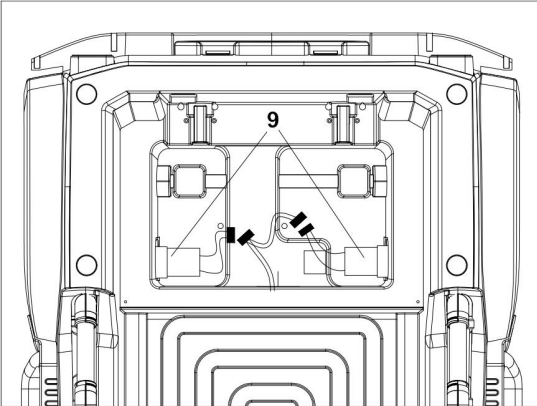
1) First align the rear wheel driven connector with the screw hole of the wheel and fix it with three 4*12 round head screws (follow these steps to install two wheels)



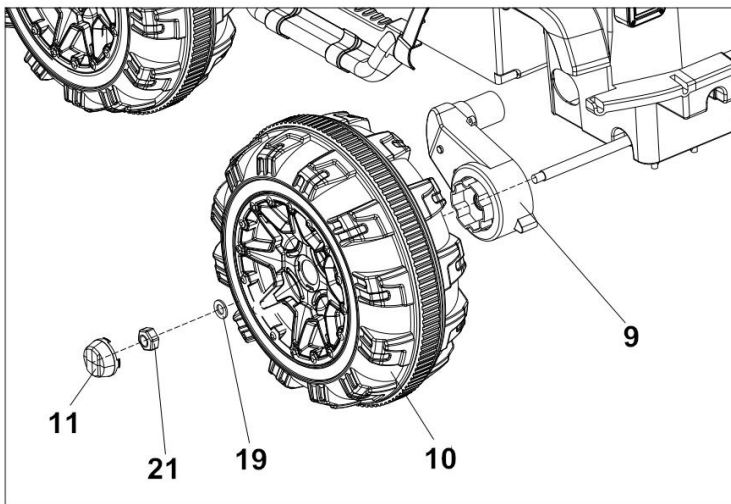
2) Place two shock proof springs and shock proof plastic parts into the groove of car body, use eight 4*12 flat head screws to fix the four shock proof bar iron sheet on the car body, then align the rear wheel shaft with car body and pass through the hole at both sides.



3) Align the rear axle with the body, and pass through the holes on both sides, install the "L" motor on the left, install the "R" motor on the right, then insert the motor connector, install the wheels with driven connectors already installed on left and right sides of the rear axle respectively (The inward side of the drive connector matches the gearbox).

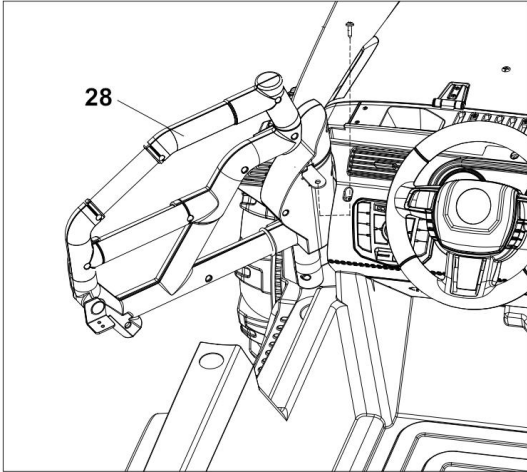


4) Then place one M10 pad on both sides, use one M10 anti loose nut to fix .Press the wheel cover on the wheel.

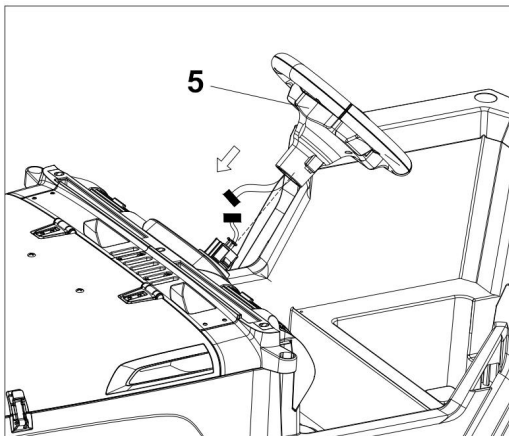


3. Install car door and steering wheel

① Install car door and steering wheel :Loosen the fix screws on both sides of instrument panel, align the car door with the car body and placed well, then make the steel sheet on the car door insert into the instrument panel, tighten the fix screws of instrument panel.



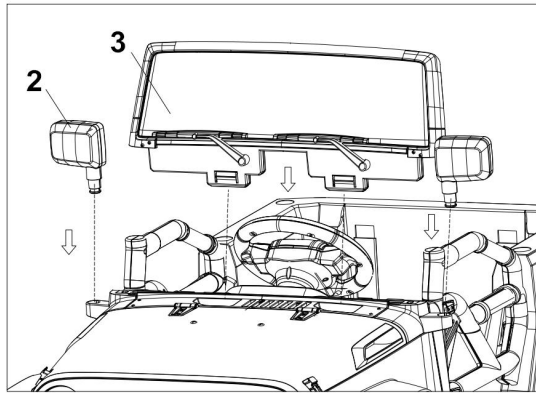
② Install the steering wheel: After aligning the SM terminal on the steering wheel and inserting it well with the SM terminal of the vehicle body, push it into the steering wheel, then align the steering wheel, then insert it into the car and hook it well, do not hit the steering wheel key hard during the assembly process. (Please note that the wire cannot be grasped during installation)



4. Install windshield and rearview mirror

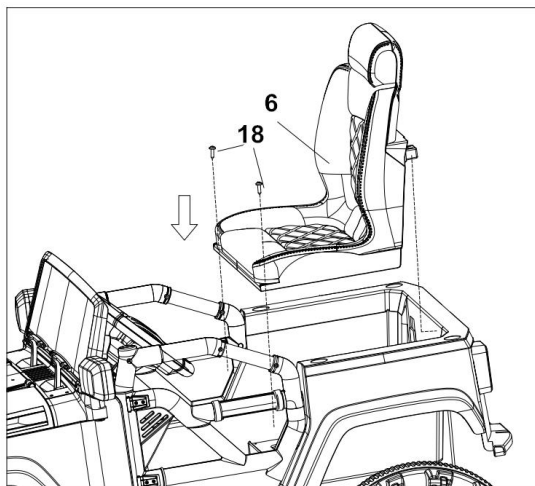
① Install windshield: as shown in the picture, align the windshield and install it according to the arrow position, press it down firmly, clamp in the position well.

② After aligning the position of the left / right rear view mirror, fix it in the correct position (pay attention to distinguish the left / right part).



5. Install seat

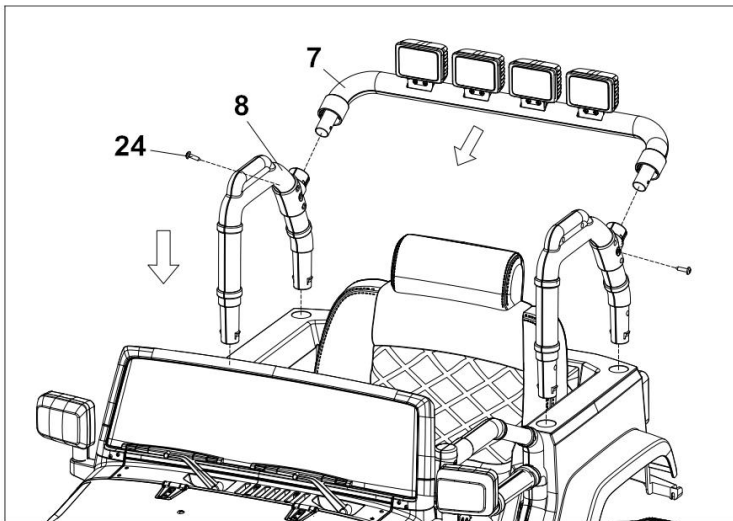
Align the hook at back of the seat well as shown in the picture, use two pieces of 4*12 flat head screws to fix after placing it in the position (Screw hole of seat aligning to car body screw hole) then OK.



6. Install side tail frame and rear tail frame

① **Install side tail frame:** as shown in the picture, align the side tail frame well, press it down firmly in the direction of the arrow to clamp it to the correct position. (Please confirm the front and back directions before installation)

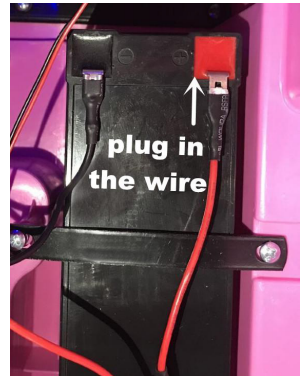
② **Install rear tail frame:** as shown in the picture, Align the rear tail frame into position, insert the two sides into the side tail frame in parallel, fix it with two 3 * 12 round head screws. (Please note that first make sure to place them in parallel in the correct position before fixing the screws)



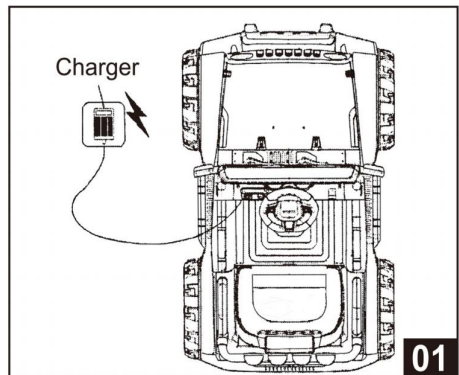
Instructions

1. Use of storage battery

① Open the hood, take off the protecting bush (white plastic) of storage battery joint, plug in the storage wire (red line with red line, black line with black line), then storage battery is on.



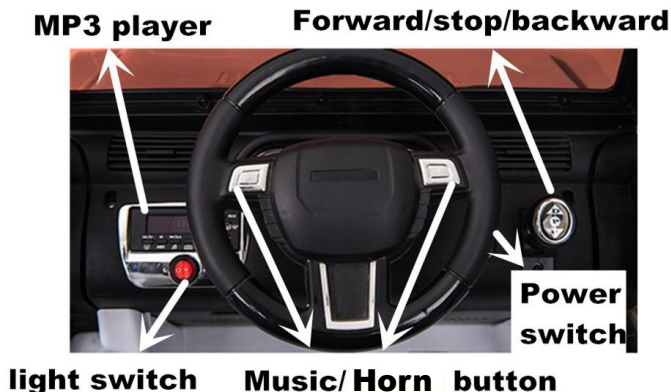
② Please charge the storage battery in time when the battery is low. The charging socket is at the bottom of left position of car's instrument panel. (Note that the ride on car cannot be operated while charging. Charging should be supervised by the adult)



2. Using method of manual/remote control and lighting and music

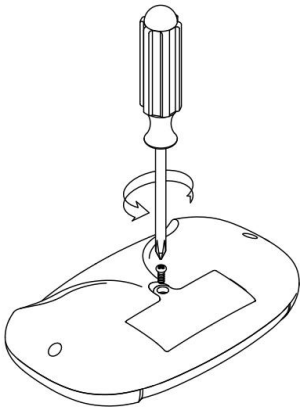
After the driver sits down and fastens the seat belt, press the power switch, the car's instrument light will light up and emit a start sound (2-5 seconds).

1. Set the forward, backward and backward switches to the "D" position (means forward) and step the foot pedal, the car moves forward, release the pedal, the car stops.
2. When the switch is placed in "P gear" (referring to the middle position), the car cannot move.
3. When the switch is in the "R" position (means backward) , depress the pedal switch, the car moves backward, release the pedal, and the car stops.
4. **When the car is in the remote control state, the remote control takes priority over the foot pedal control.**
5. Press the "P" key, the car will emergency brake (now in the manual control mode, the remote control operation function is invalid), press the P key again to release the emergency brake.
6. 1 / 0 switch is the car light switch, set the switch to "1", the car light is lit, set to "0 ", the car lights can be turned off.
7. The MP3 multi-function player can play music. When you press different lights, it will play different kinds of music. Press "V +" for a long time to increase the volume. Long press V- to decrease the volume.
8. The steering wheel controls the left and right direction. Press different keys to make different sounds.

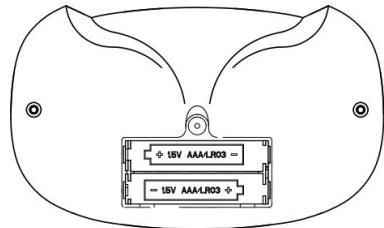


3. Installation and using of the storage battery of remote controller

① Install battery: open the battery cover which is in the remote control, install two pieces of AAA (1.5V)(#7) dry batteries, pay attention to the polarity of battery before installing. Put on the battery cover and use screws to fix (please follow above steps when replacing the battery, only adults can replace it. Please don't mix the new and old batteries or different batteries. Please take away the exhausted batteries from the toys in time.)



Loosen a screw



Load two AAA(1.5V) batteries

② use method:

a. use for the first time needs to match code this product has storage function. Replace battery or restart don't need to match code.

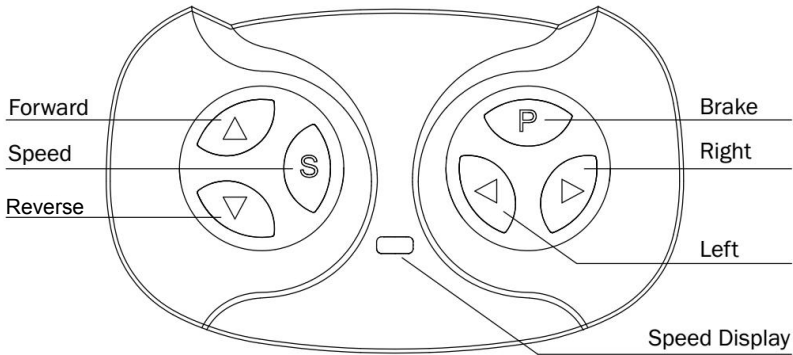
b. Press "▲"&"▼"keys for 3 seconds at the same time to start matching code, The first LED flickers.

c. Turn the car body power on now, The first LED lits up, Match code Succeeds

d. Press and hold the remote control for 10 seconds (if it is not running) it will be in standby mode, press any key to wake it up.

e. Keys caption: "▲" Forward, "▼" Back, "◀" Left, "▶" Right, "S" Speed, "P"

Brake. Press "S" key to accelerate (1 LED lights at low speed, 2 LEDs light at medium speed, and 3 LEDs light at high speed). The car only has a low speed in the reverse mode. Press the "P" key and hold down the brake, all LEDs will flash.

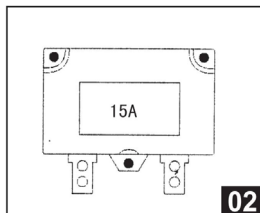


WARNING!

1. Not for children under 3 years old. Small parts. Choking hazard.
2. The remote controller only can be used with adult's guidance.
3. Load two AAA(1.5V)batteries according to the diagram.
4. Non-rechargeable batteries are not to be recharged.
5. Different types of batteries or new and used batteries are not to be mixed.
6. Batteries are to be inserted with the correct polarity.
7. Exhausted batteries are to be removed from the toy.
8. The supply terminals are not to be short-circuited.
9. Should take away the exhausted batteries from the toys, and handle well, prevent played by children and caused harm.
10. The packaging must be retained since it contains important information.

4. Use of the recoverable type fuse

This car uses 15A recoverable type fuse, it will automatically shut off the power supply when the current exceeds 15A, automatically recover after 5-10 seconds.





Warning

In order for the children to drive safely, you must pay attention to the following warnings:

1. Assembly and adjustment of products must be done by adult, please make children far away from the motion parts.
2. Small parts in it, which is not suitable to be used by the children under 3 years old!
3. Must correctly use the life belt when children sits. Don't get close to the fire!
4. The children must use this product under the guidance of adults, and the guardian can't leave during the using process!
5. Don't allow the children stand or play on the foot pedal(or in the electric car).
6. Charging the storage battery must be done by adults. Please charge before using this product for the first time!
7. To avoid hurting children, please make the package materials like plastic bag far away from the children! Asphyxiation hazard!
8. Strictly forbidden to use any accessories which are not provided by manufacturer.
9. Don't use charger as toy.
10. The maximum load of this car is 66 LBS, can't overload.
11. The suitable age scope of this car:3-7 years old.
12. The toy can't connect to too many power supplies which exceeds the recommended numbers.
13. The toy(complete car) can't be operated during charging.

Notices for charging

1. When use the electric car for the first time, the user must guarantee the positive and negative poles of power supply have already been correctly connected (the storage battery installed in the engine plate at the front of car, pay attention to different positive/negative poles when connects, needs red to red, black to black). Must guarantee that storage battery is charged for 8 hours, otherwise, it will perpetually damage the storage battery which can't recover.
2. Plug the DC plug of charger into the charging hole at first, then plug the charger into power outlet.
3. It must be charged in time after about an hour of use. The normal charging time is 8 to 12 hours, and the charging time cannot exceed 20 hours.
4. The heat appearance of the charger and battery (below 60 ° C) during charging is normal.
5. If some water is accumulated in the connection / plug, it cannot be charged, otherwise it may cause a short circuit.
6. The electric vehicle must use the charger and battery equipped with the vehicle to avoid damage to the charger and battery or circuit.
7. Charge at least once a month. If you are not going to use an electric vehicle for a long time, please unplug the power cord.

Use notices

1. Please check whether all parts are installed in position, tightly connect before use.
2. Can't use in the dangerous area like streets, roads, slopes and ditches, etc.
3. Please don't use it on smooth ground, for example marbles, ground tiles, etc.
4. Don't shift forward/backward switches when the electric car is running. Please note that don't allow children to stand on the seat.
5. Don't change the circuit and additional electrical devices of this car.
6. The remote controller and electric car can't be used in rain or water, don't pour the water or other liquid on the car or other places to make it soaking and make it far away from the fire source to avoid causing circuit damaged.
7. Electrical car stops running when it touches hinder, please run after leaving the hinders.
8. Don't use it indoors, as it may damage the furniture or cause the child to fall.
9. When the battery of the remote control is low, the vehicle will only be able to drive forward, not to the left and right, shortening the remote control distance and shaking, please replace the battery in time.
10. Turn off the power switch when not in use, and pull out the connection / plug part of the battery.
11. This product is limited to one person only and cannot be overloaded. The maximum load is 66 lbs.

Note: the product picture, functional and introduce in this specification only for reference, project to the physical entity.

Maintenance

- 1.To guarantee that your children will not be hurt unexpectedly, please frequently check and maintain this car.
- 2.Check if package assemblies are complete before assembling, contact us immediately if there is a lack.
- 3 check whether has screws loosen or parts damaged on a regular basis.
- 4.Please frequently check whether it is intact when each part is installed or used
- 5.When disassembling, please operate according to the operating specification carefully to avoid causing unnecessary damage.
- 6.Please check product and the charger used on a regular basis, check whether wire, plug, outer shell and other parts are damaged and you should stop use if find damage, till it is repaired well.
- 7.Please do cleaning for this product at a regular time, fill lubricating oil into rotating parts. Be careful not to damage the electric elements, don't use water to wash, use dry cloth to wipe.

Welcome to visit our website and purchase our quality products!

Your suggestions and comments for COSTWAY are really important to us!
We sincerely solicit you to go back to our shop and leave a good rating in just a simple click. It would be quite encouraging if you could kindly do so like below:

★★★★★ Great products so far

February 24, 2019

Great products so far. Fast delivery, easy setup, and working without any issues.

With your inspiring rating, COSTWAY will be more consistent to offer you
EASY SHOPPING EXPERIENCE, GOOD PRODUCTS and EFFICIENT SERVICE!

US office: Fontana, California

UK office: Ipswich



- * Reward Points
- * Exclusive Customer Service
- * Personalized Recommendations
- * Permanent Shopping Cart
- * Order History

5 Star Rating



We would like to extend our heartfelt thanks to
all of our customers for taking time to assemble
this product and giving us valuable feedbacks.

THANK
YOU
☺

