

Egg Chair
HW70716

USA office: Fontana AUS office: Truganina
GBR office: FDS Corporation Limited, Unit 4, Blackacre Road, Great Blakenham, Ipswich, Ip6 0FL, United Kingdom

If you're having difficulty, our friendly customer team is always here to help.



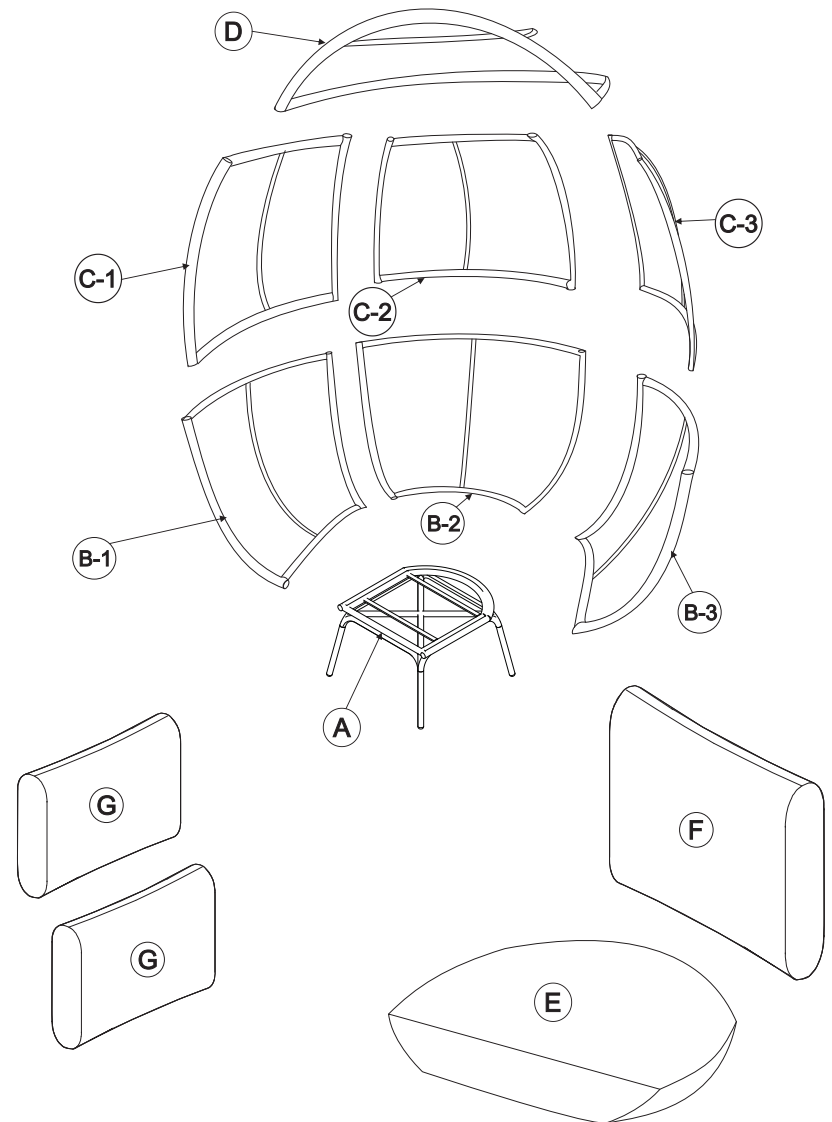
USA: cs.us@costway.com
AUS: cs.au@costway.com
GBR: cs.uk@costway.com

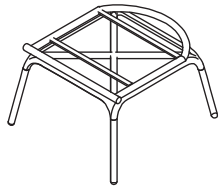
THIS INSTRUCTION BOOKLET CONTAINS **IMPORTANT** SAFETY INFORMATION.
PLEASE READ AND KEEP FOR FUTURE REFERENCE.



Before You Start

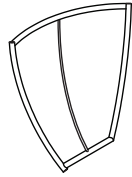
- ⚠ Please read all instructions carefully.
- ⚠ Retain instructions for future reference.
- ⚠ Separate and count all parts and hardware.
- ⚠ Read through each step carefully and follow the proper order.
- ⚠ We recommend that, where possible, all items are assembled near to the area in which they will be placed in use, to avoid moving the product unnecessarily once assembled.
- ⚠ Always place the product on a flat, steady and stable surface.
- ⚠ Keep all small parts and packaging materials for this product away from babies and children as they potentially pose a serious choking hazard.





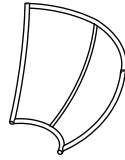
Seat frame

A x1



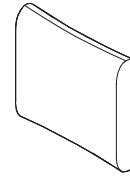
Back frame left

B-1 x1



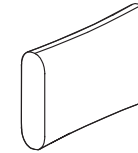
Back frame

B-2 x1



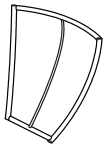
Back cushion

F x1



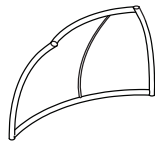
Short back cushion

G x2



Back frame right

B-3 x1



Back frame left top

C-1 x1



Back frame top

C-2 x1



M6 x 70
Screw

1 x23



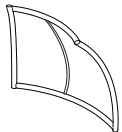
M16 x 1
Washer

2 x46



Hex nut
M6

3 x23



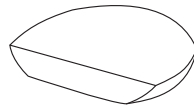
Back frame right top

C-3 x1



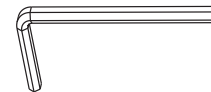
Back frame top

D x1



Seat cushion

E x1



Allen key

4 x2



Cap
M6

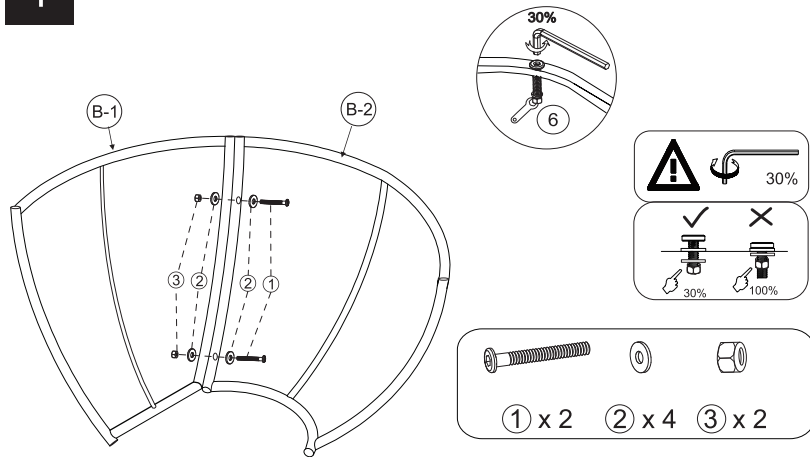
5 x17



Spanner
M10

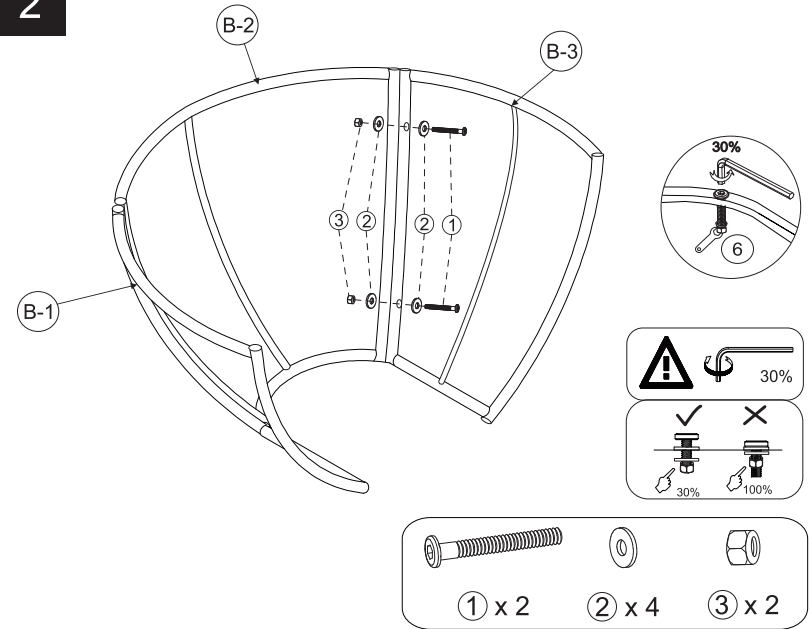
6 x 2

1



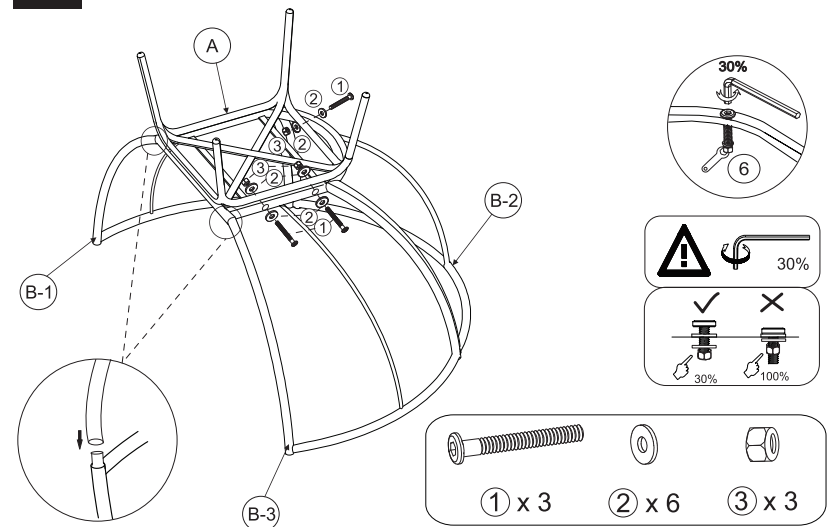
Please don't fasten the screw completely during assembly process.
It will be likely to lead to an assembling problem that screw hole position is not aligned.
You can fasten completely when all parts have been assembled.

2



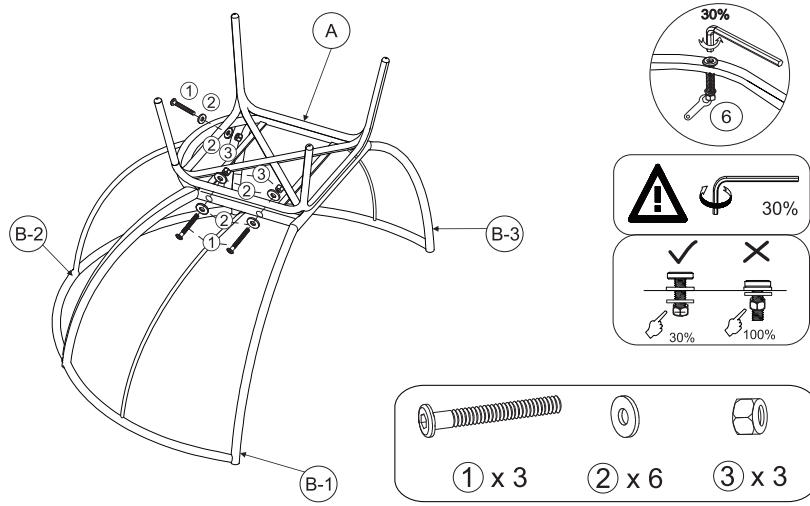
3

Note: No need the cap ⑤ for the bottom

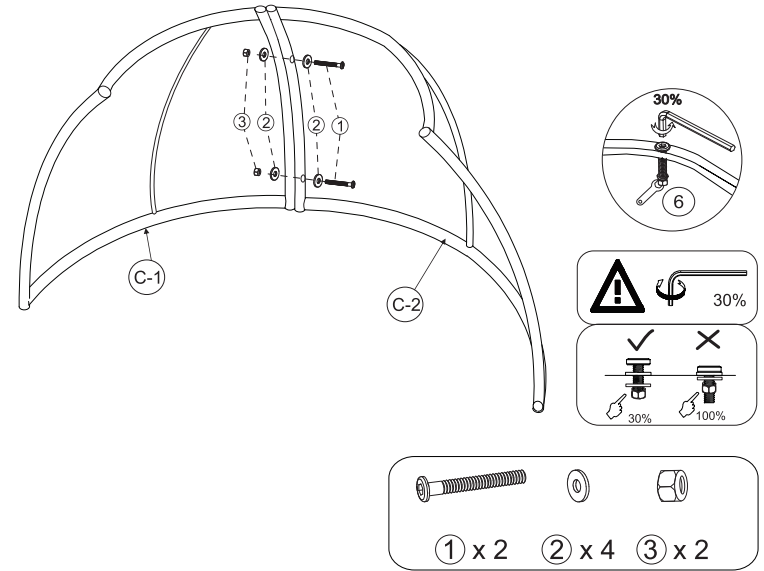


4

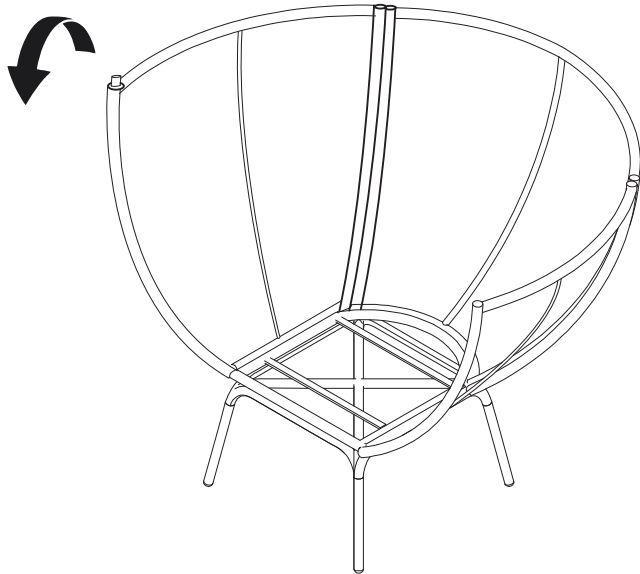
Note: No need the cap ⑤ for the bottom



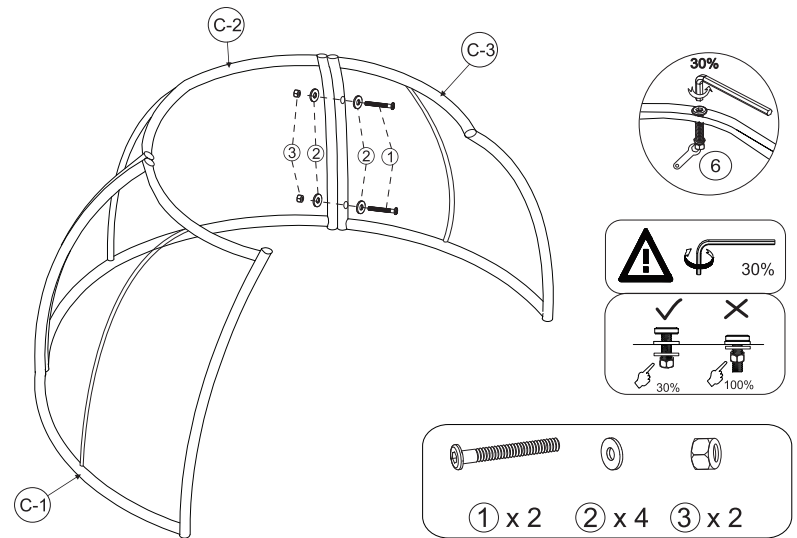
6



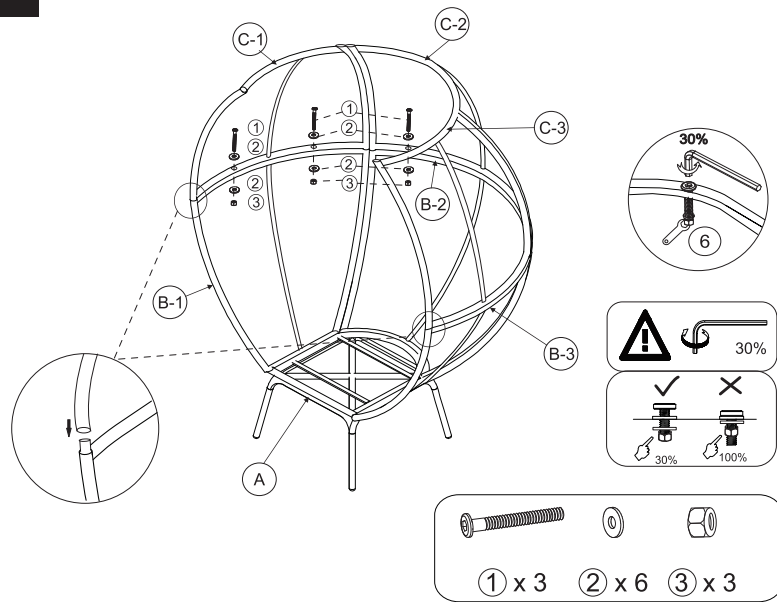
5



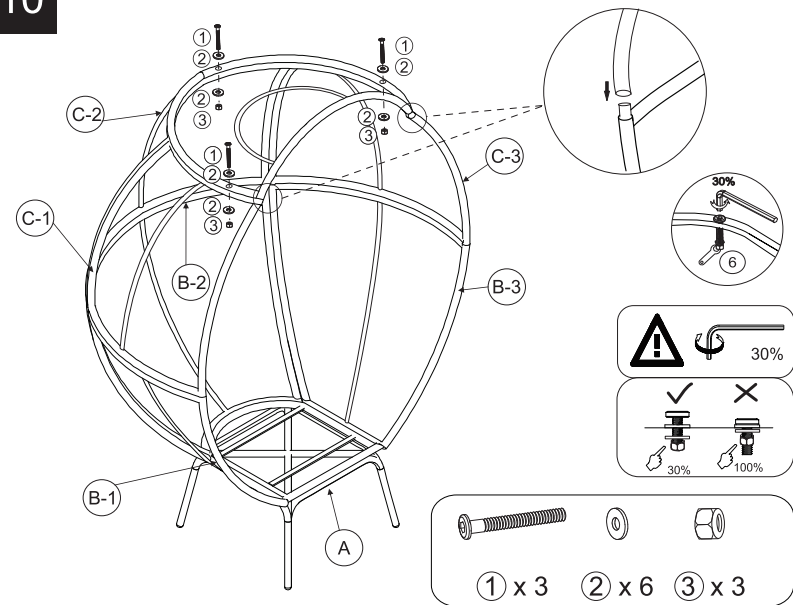
7



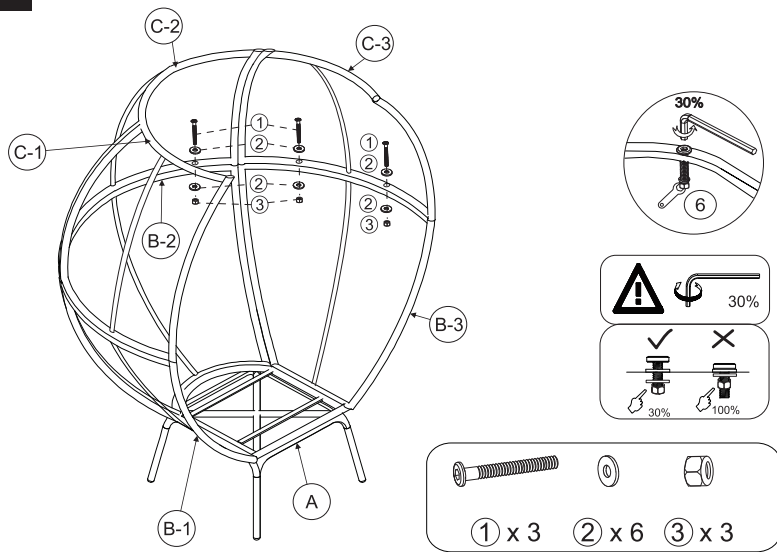
8



10

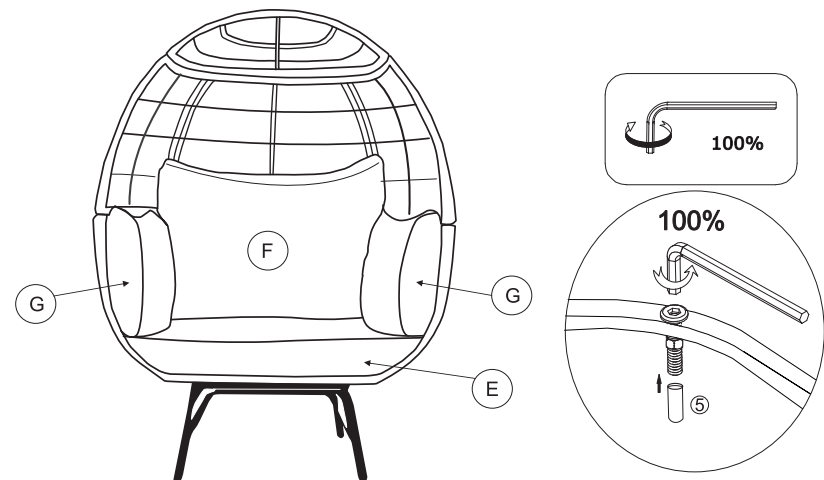


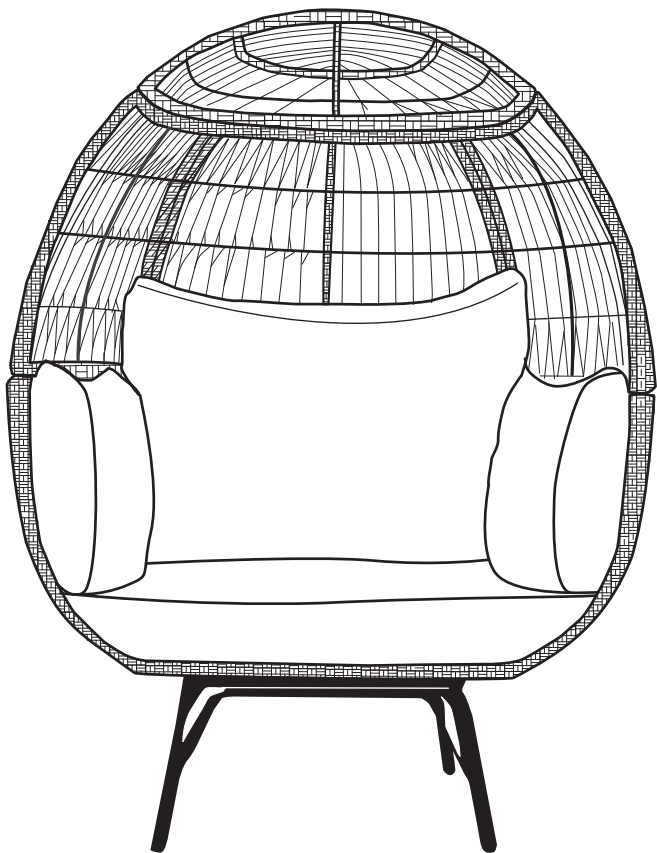
9



11

Note: Please attach the cap ⑤ when screwing 100%





Return / Damage Claim Instructions

- ⚠ **DO NOT discard the box / original packaging.**
In case a return is required, the item must be returned in original box. Without this your return will not be accepted.
- ⚠ **Take a photo of the box markings.**
A photo of the markings (text) on the side of the box is required in case a part is needed for replacement. This helps our staff identify your product number to ensure you receive the correct parts.
- ⚠ **Take a photo of the damaged part (if applicable).**
A photo of the damage is always required to file a claim and get your replacement or refund processed quickly. Please make sure you have the box even if it is damaged.
- ⚠ **Send us an email with the images requested.**
Email us directly from marketplace where your item was purchased with the attached images and a description of your claim.