

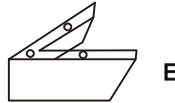
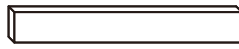
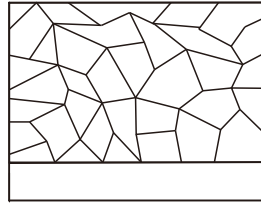
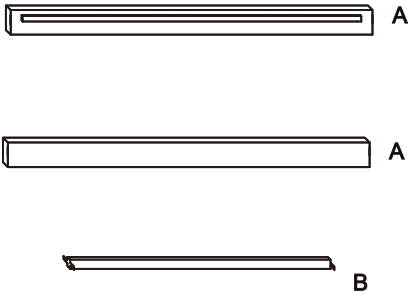
ASSEMBLY INSTRUCTIONS

Item:HD111 King

BOX LIST

| | | |
|---|--------------------|-------|
| A | SideRail | 2PCS |
| B | Center Support bar | 2PCS |
| C | Footboard | 1PCS |
| D | Slat | 39PCS |
| E | Metal Feet | 2PCS |

| | | |
|---|-------------------|-------|
| F | Metal Leg Support | 4 PCS |
| G | Headboard | 1PC |



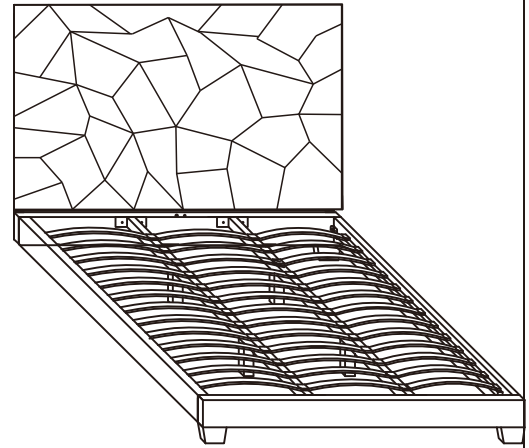
G

C

D

E

F

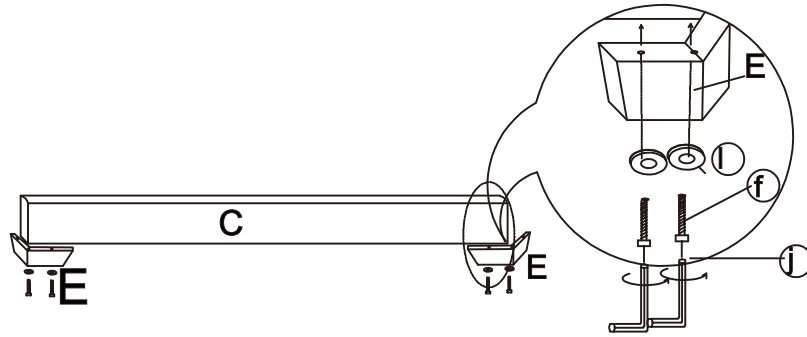


HARDWARE PACKED LIST IN BOX

| | | | | | | | | | | | |
|------------|------------------------|-------|------------|---------------------|-------|------------|-------------------|------|------------|-----------------------|-------|
| (a) | Allen Key 5mm | 1PCS | (b) | Bolt ø5/16"*1.5" | 20pcs | (c) | Bolt ø5/16"*2" | 8PCS | (d) | Flat Washer ø5/16" | 28pcs |
| | | | | | | | | | | | |
| (e) | Spring Washe ø5/16" | 28pcs | (f) | Bolt ø3/16"*1" | 4PCS | (g) | NUT ø5/16" | 8pcs | (h) | Rails plastic sla | 26PCS |
| | | | | | | | | | | | |
| (i) | Center plastic slat | 26PCS | (j) | Allen Key 3mm | 1PCS | (k) | Wrench | 1 PC | (l) | Flat Washer ø3/16" | 4PCS |
| | | | | | | | | | | | |

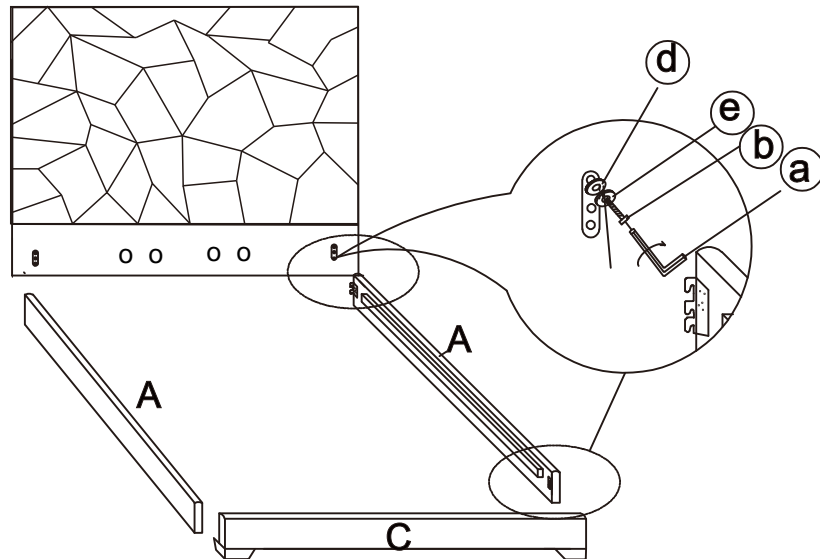
STEP 1

Place washers (l) through bolt (f) and fasten to bottom of footboard (C).



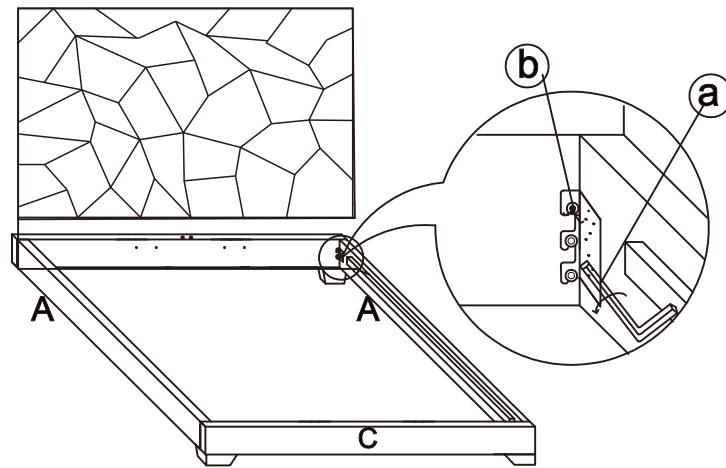
STEP1

Bolts to use for side rails, should already come pre-inserted on the HB. Place bolt (b) , washers (e , d) and fasten to Headboard with preinstalled hardware, Repeat step 2 for Footboard. Do not tighten until step 3.



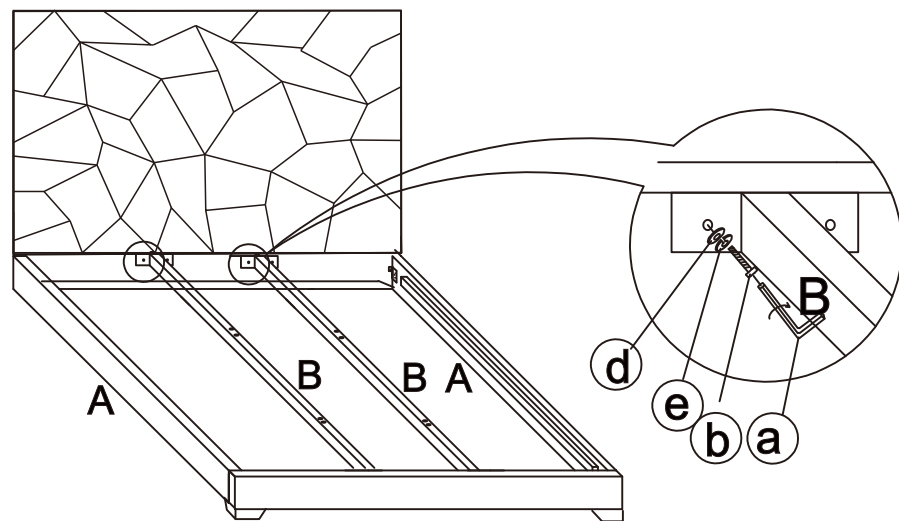
STEP 3

Attach siderail (A) to headboard and footboard (C) using bolt (b) and allen key (a) as shown in diagram. Do not tighten bolts completely until assembly is completed



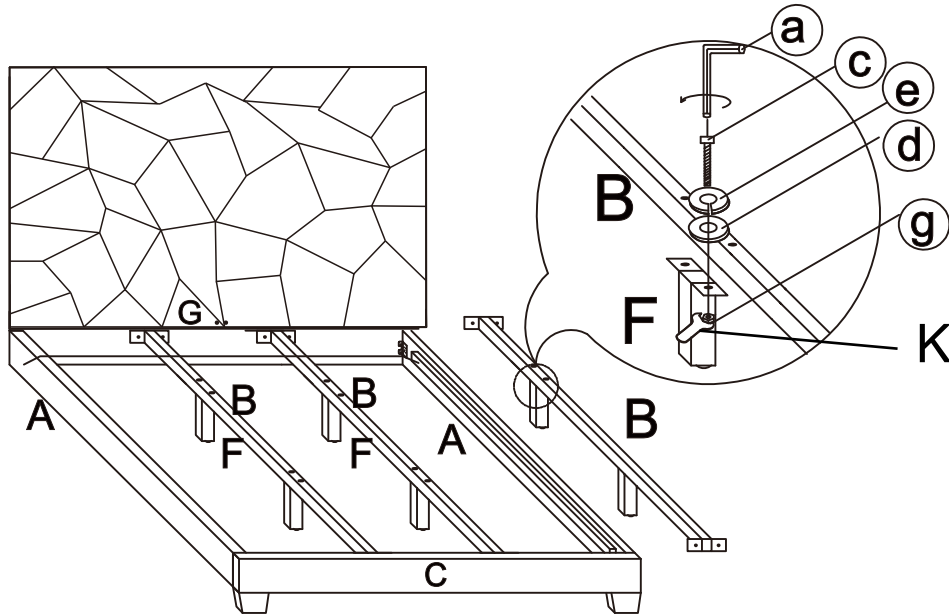
STEP 4

Attach center support (B) to headboard by using bolt (b) through washers(e , d) as shown in diagram.



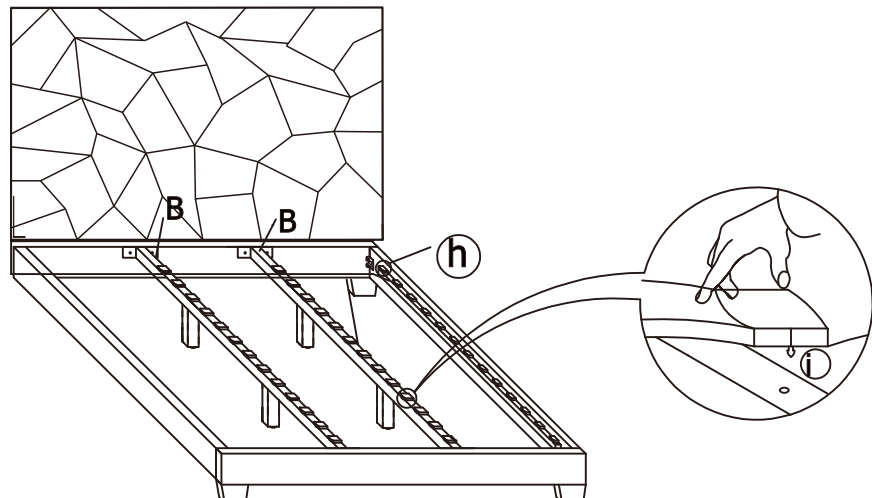
STEP 5

Attach leg support (F) to center support bar (B) by using bolt (c), washers (e, d), nut (g), and tighten the nut (g) by wrench.



STEP 6

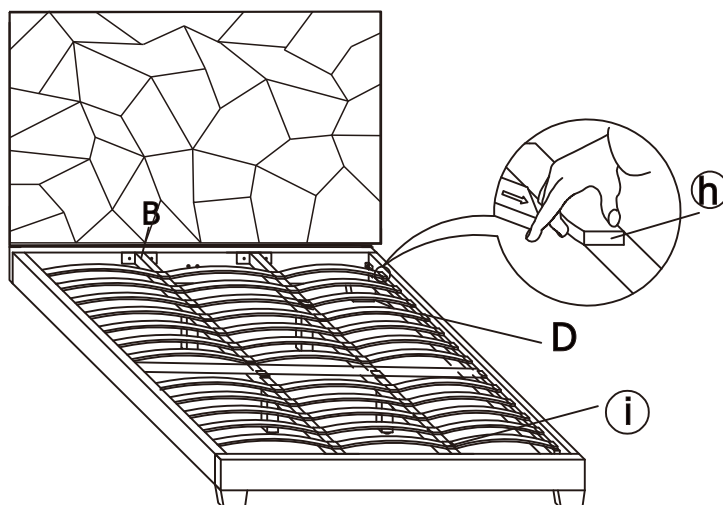
Insert center plastic slot (i) into holes on center support bar (B). Press firmly into place as shown in diagram. Attach rail plastic slat (h) using same procedure.



MADE IN CHINA

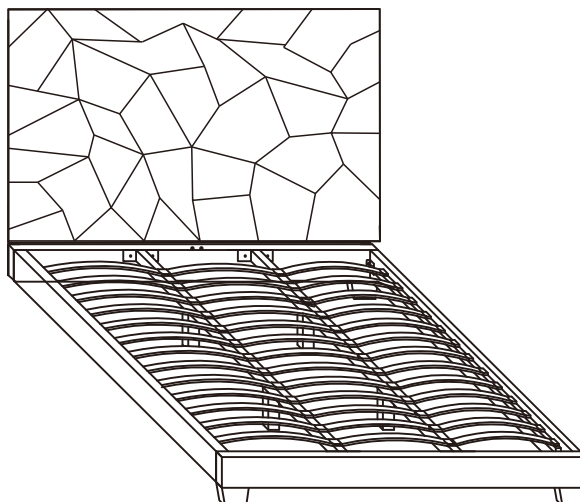
STEP 7

Insert small slat (D) into plastic slats (h , i) as shown in diagram.



STEP 8

Assembly is complete.



MADE IN CHINA