

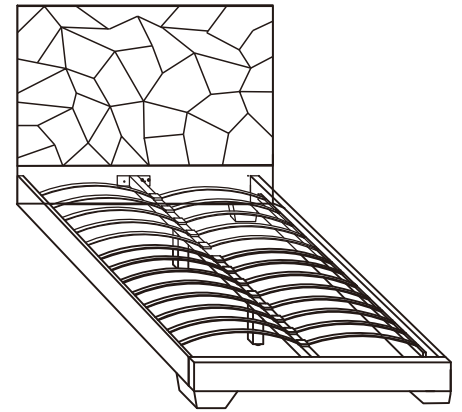
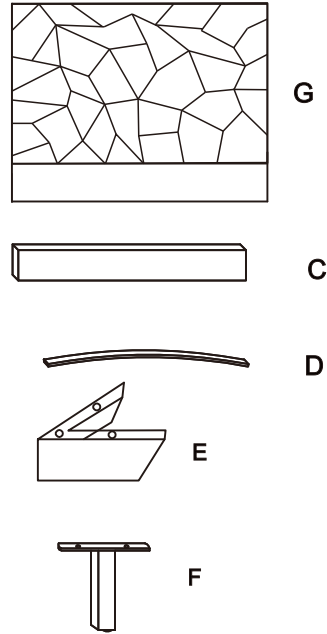
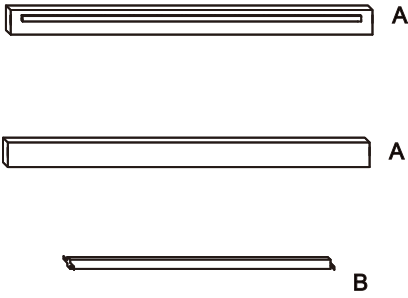
ASSEMBLY INSTRUCTIONS

Item:HD111 Queen

BOX LIST

A	SideRail	2PCS
B	Center Support bar	1PC
C	Footboard	1PCS
D	Slat	26PCS
E	Metal Feet	2PCS

F	Metal Leg Support	2PCS
G	Headboard	1PC



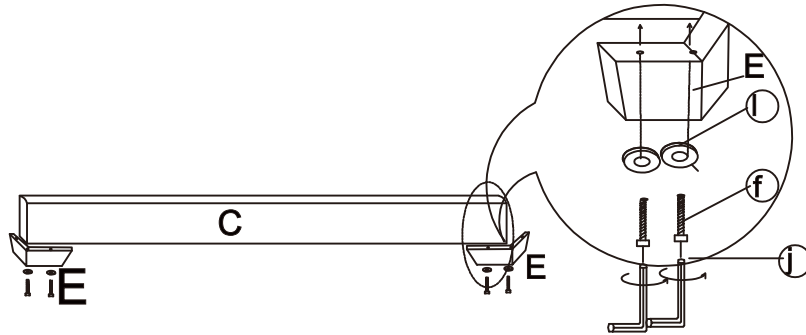
HARDWARE PACKED LIST IN BOX

(a)	Allen Key 5mm	1PCS	(b)	Bolt ø5/16"*1.5"	16PCS	(c)	Bolt ø5/16"*2"	4PCS	(d)	Flat Washer ø5/16"	20pcs
(e)	Spring Washe ø5/16"	16PCS	(f)	Bolt ø3/16"*1"	4PCS	(g)	NUT ø5/16"	4PCS	(h)	Rails plastic sla	26PCS
(i)	Center plastic slat	13PCS	(j)	Allen Key 3mm	1PCS	(k)	Wrench	1 PC	(l)	Flat Washer ø3/16"	4PCS

MADE IN CHINA

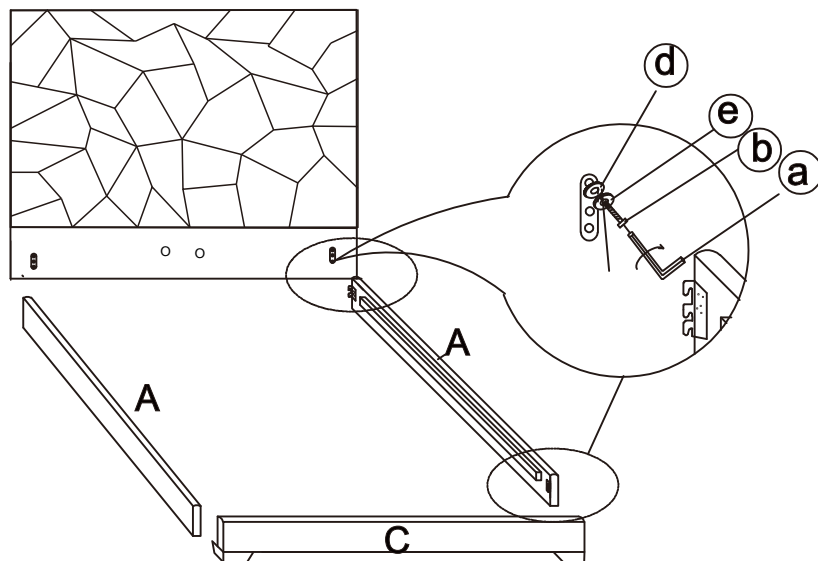
STEP 1

Place washers (l) through bolt (f) and fasten to bottom of footboard (C).



STEP1

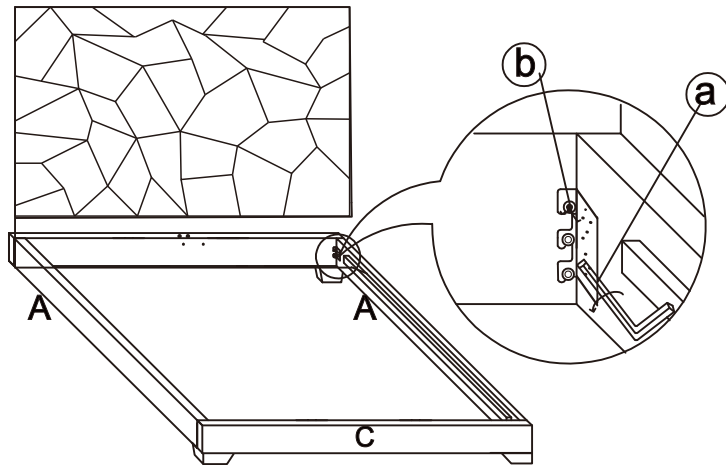
Bolts to use for side rails, should already come pre-inserted on the HB. Place bolt (b) , washers (e , d) and fasten to Headboard with preinstalled hardware, Repeat step 2 for Footboard. Do not tighten until step 3.



MADE IN CHINA

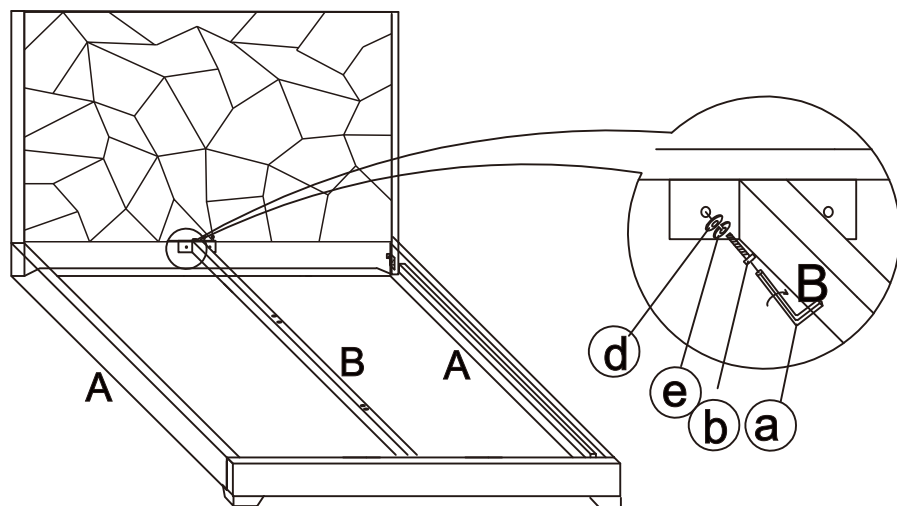
STEP 3

Attach siderail (A) to headboard and footboard (C) using bolt (b) and allen key (a) as shown in diagram. Do not tighten bolts completely until assembly is completed



STEP 4

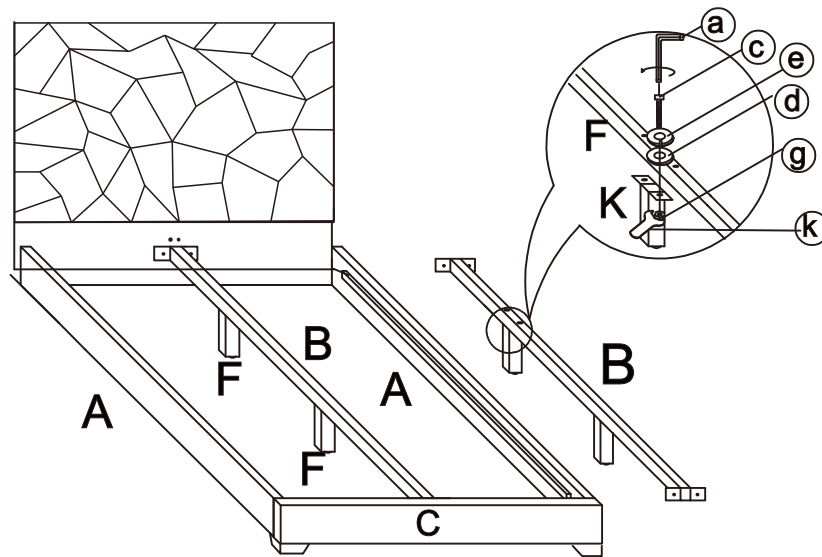
Attach center support (B) to headboard by using bolt (b) through washers(e , d) as shown in diagram.



MADE IN CHINA

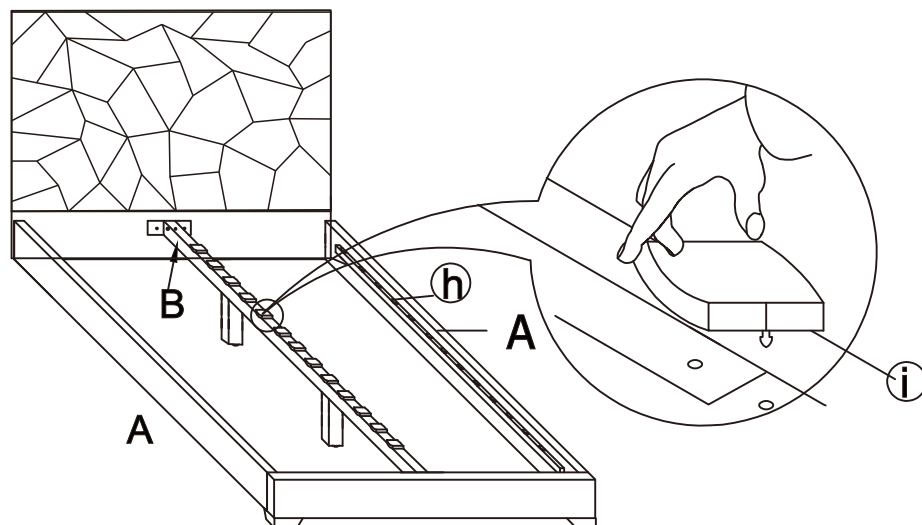
STEP5

Attach leg support (F) to center support bar (B) by using bolt (c), washers(e , d), nut (g), and tighten the nut(g) by wrench(k).



STEP 6

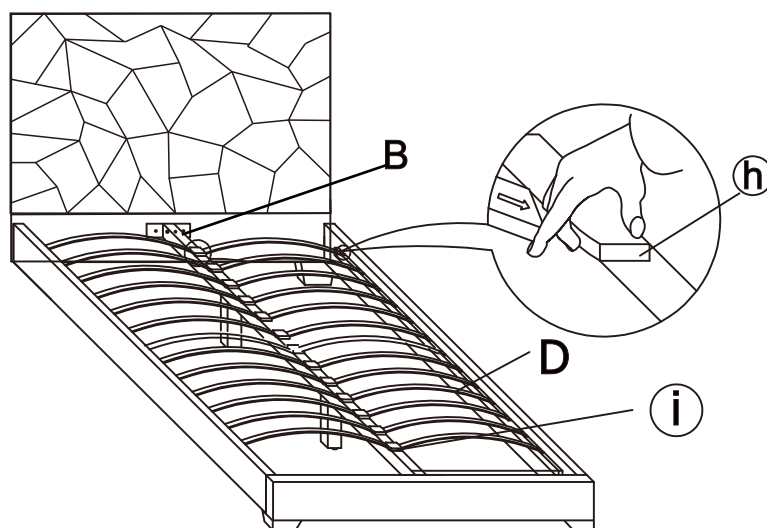
Insert center plastic slot (i) into holes on center support bar (B). Press firmly into place as shown in diagram. Attach rail plastic slot (h) using same procedure.



MADE IN CHINA

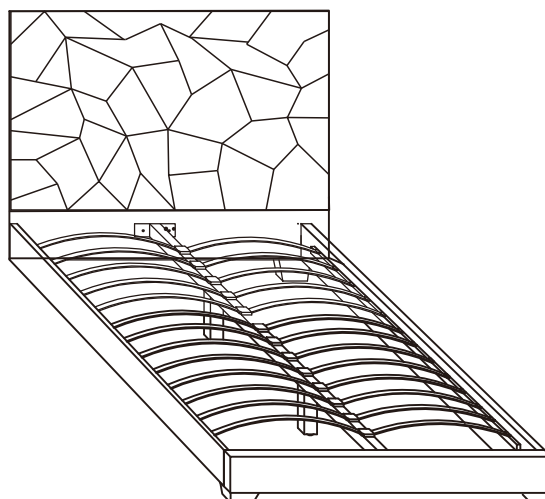
STEP 7

Insert small slat (D) into plastic slats (h , i) as shown in diagram.



STEP 8

Assembly is complete.



MADE IN CHINA