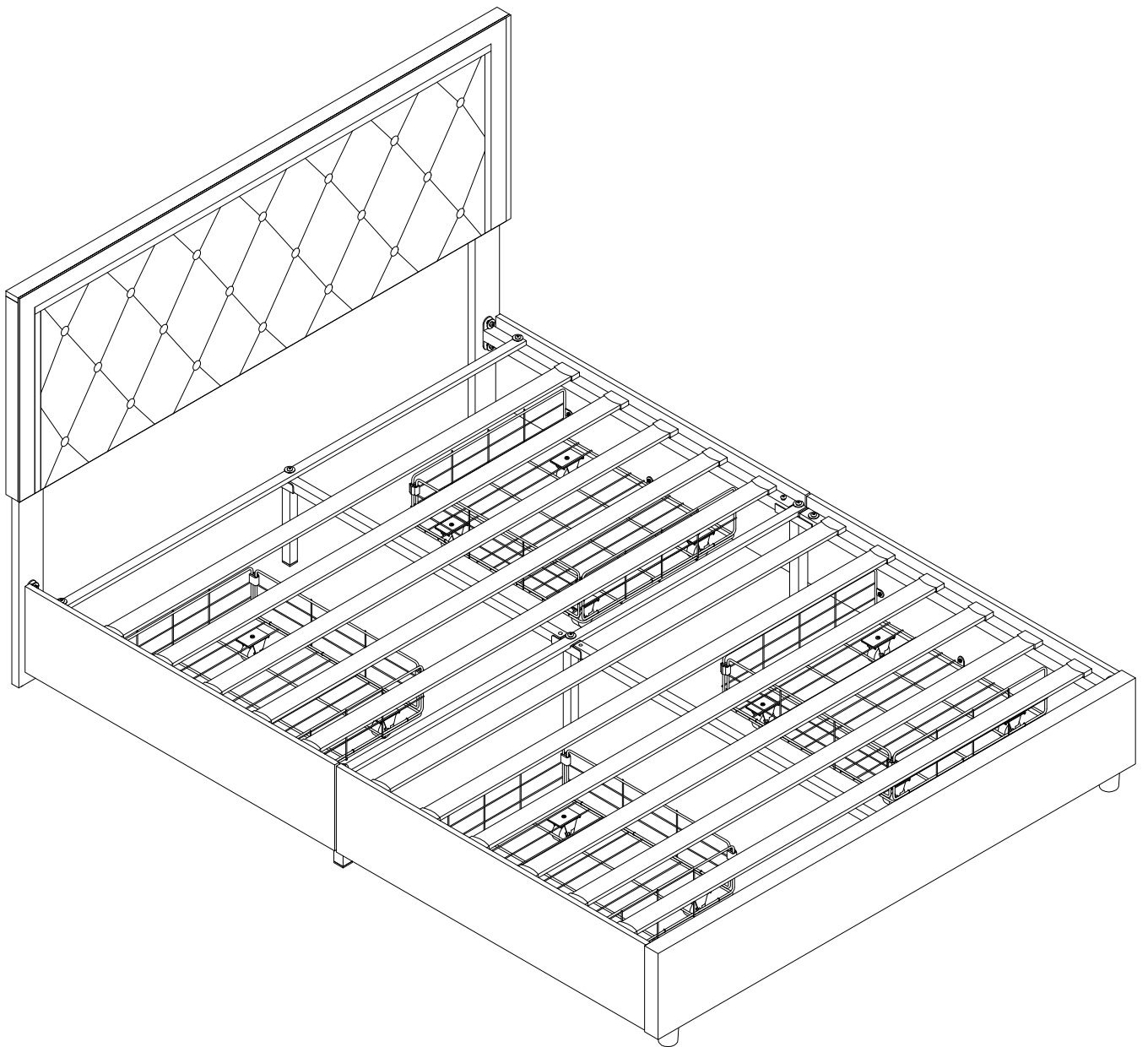


# User's Manual

---

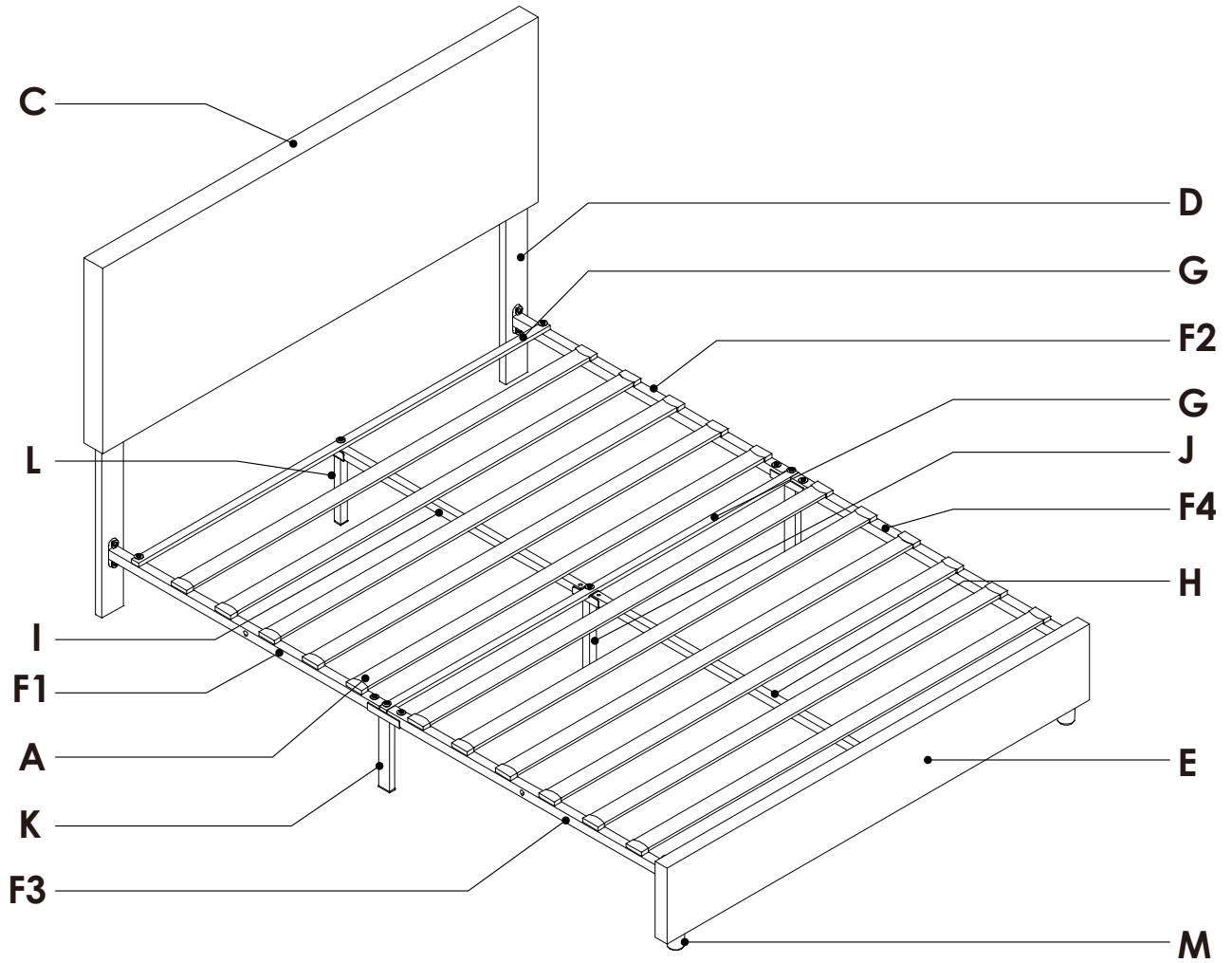
## Bed Frame

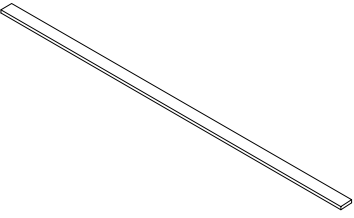
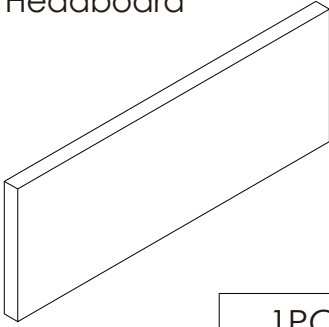

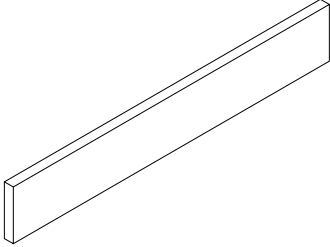
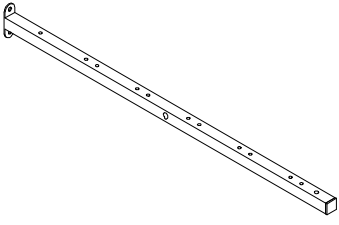
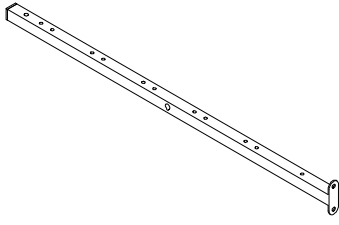


Queen Size

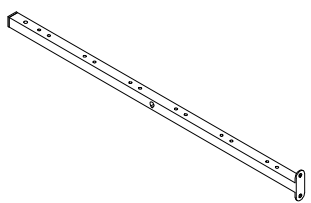
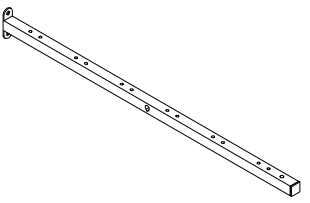
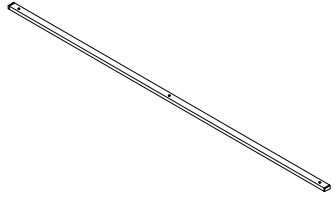
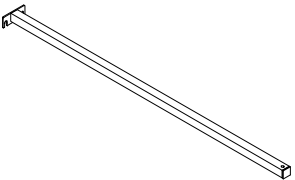
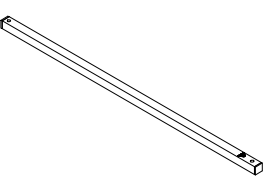
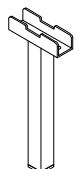
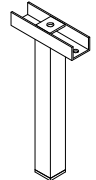
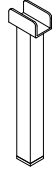

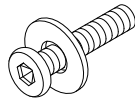
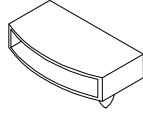
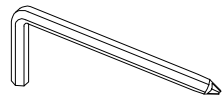
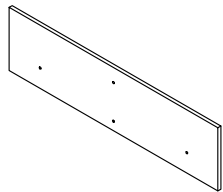


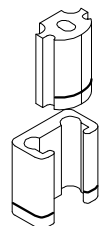

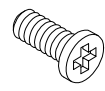
# Assembly Instruction of (Bed)

Drawer not included



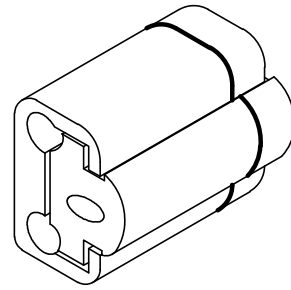
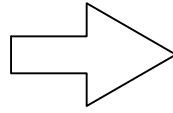
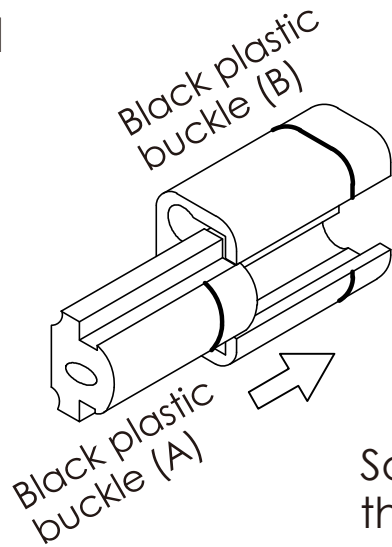
<p><b>A</b> Slat</p>  <p>11PCS</p>	<p><b>C</b> Headboard</p>  <p>1PC</p>	<p><b>D</b> Headboard side leg</p>  <p>2PCS</p>
<p><b>E</b> Footboard</p>  <p>1PC</p>	<p><b>F1</b> Side cross beam</p>  <p>1PC</p>	<p><b>F2</b> Side cross beam</p>  <p>1PC</p>

## Assembly Instruction of (Bed)

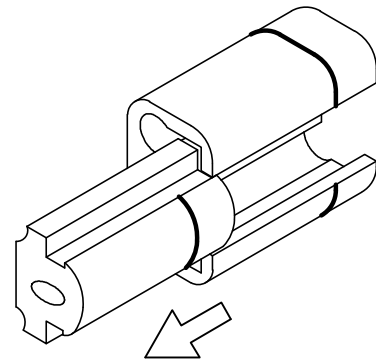
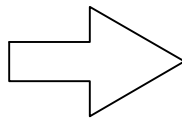
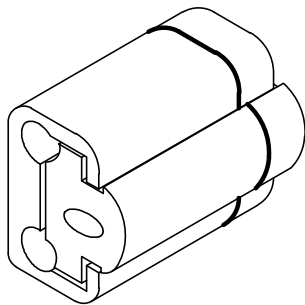
<p><b>F3</b> Side cross beam</p>  <div style="text-align: right; border: 1px solid black; padding: 2px; width: fit-content; margin: 0 auto;">1PC</div>	<p><b>F4</b> Side cross beam</p>  <div style="text-align: right; border: 1px solid black; padding: 2px; width: fit-content; margin: 0 auto;">1PC</div>	<p><b>G</b> Middle cross beam</p>  <div style="text-align: right; border: 1px solid black; padding: 2px; width: fit-content; margin: 0 auto;">2PCS</div>
<p><b>H</b> Back Middle cross beam</p>  <div style="text-align: right; border: 1px solid black; padding: 2px; width: fit-content; margin: 0 auto;">1PC</div>	<p><b>I</b> Front Middle cross beam</p>  <div style="text-align: right; border: 1px solid black; padding: 2px; width: fit-content; margin: 0 auto;">1PC</div>	<p><b>J</b> Middle leg</p>  <div style="text-align: right; border: 1px solid black; padding: 2px; width: fit-content; margin: 0 auto;">1PC</div>
<p><b>K</b> Edge of the foot</p>  <div style="text-align: right; border: 1px solid black; padding: 2px; width: fit-content; margin: 0 auto;">2PCS</div>	<p><b>L</b> Front Leg</p>  <div style="text-align: right; border: 1px solid black; padding: 2px; width: fit-content; margin: 0 auto;">1PC</div>	<p><b>M</b> Bed leg</p>  <div style="text-align: right; border: 1px solid black; padding: 2px; width: fit-content; margin: 0 auto;">2PCS</div>
<p><b>N</b> Innerscrew</p>  <p>M8×45mm</p> <div style="text-align: right; border: 1px solid black; padding: 2px; width: fit-content; margin: 0 auto;">16+1PCS</div>	<p><b>O</b> Edge slab</p>  <div style="text-align: right; border: 1px solid black; padding: 2px; width: fit-content; margin: 0 auto;">22+2PCS</div>	<p><b>P</b> Inner allen wrench</p>  <div style="text-align: right; border: 1px solid black; padding: 2px; width: fit-content; margin: 0 auto;">1PC</div>
<p><b>Q</b> Drawer panel</p>  <div style="text-align: right; border: 1px solid black; padding: 2px; width: fit-content; margin: 0 auto;">4PCS</div>	<p><b>R</b> Drawer</p>  <div style="text-align: right; border: 1px solid black; padding: 2px; width: fit-content; margin: 0 auto;">4PCS</div>	<p><b>S</b> Drawer wheel</p>  <div style="text-align: right; border: 1px solid black; padding: 2px; width: fit-content; margin: 0 auto;">16PCS</div>
<p><b>T</b> Drawer connector</p>  <div style="text-align: right; border: 1px solid black; padding: 2px; width: fit-content; margin: 0 auto;">8PCS</div>	<p><b>U</b> Screw</p>  <p>M6×6mm</p> <div style="text-align: right; border: 1px solid black; padding: 2px; width: fit-content; margin: 0 auto;">16+2PCS</div>	<p><b>V</b> Screw</p>  <p>M6×15mm</p> <div style="text-align: right; border: 1px solid black; padding: 2px; width: fit-content; margin: 0 auto;">12PCS</div>

## Assembly Instruction of (Drawer)

### STEP 1

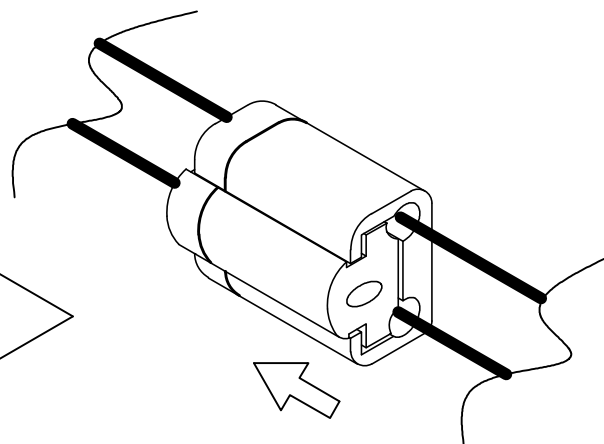
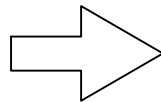
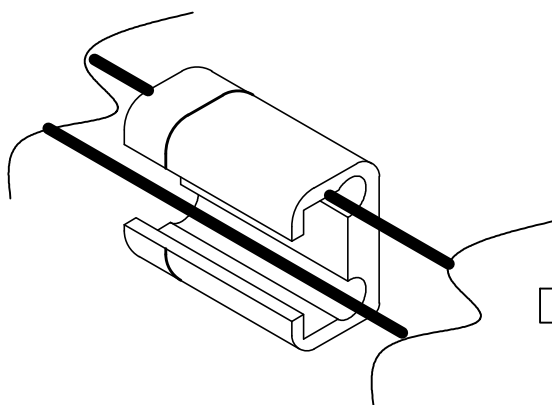


So This is the only direction that can be locked



You can pull the buckle out by following the direction indicated by the arrow

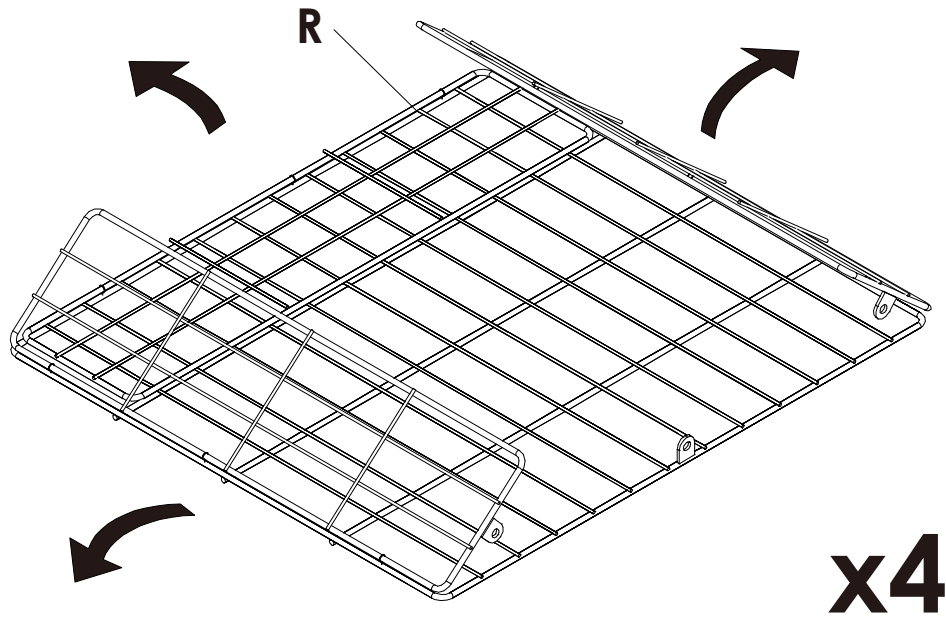
### STEP 2



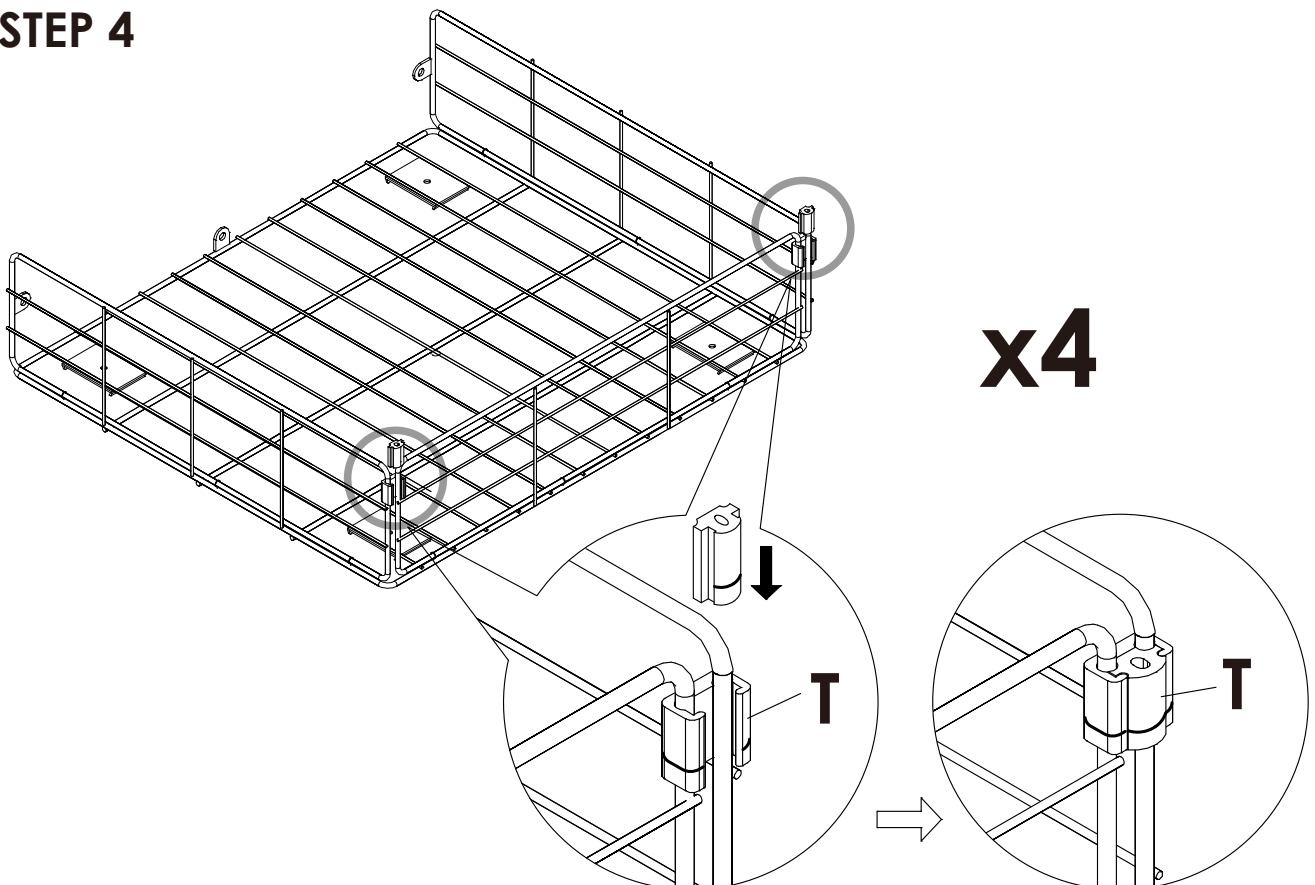
Place round iron tube as shown for better drawer assembly

# Assembly Instruction of (Drawer)

## STEP 3



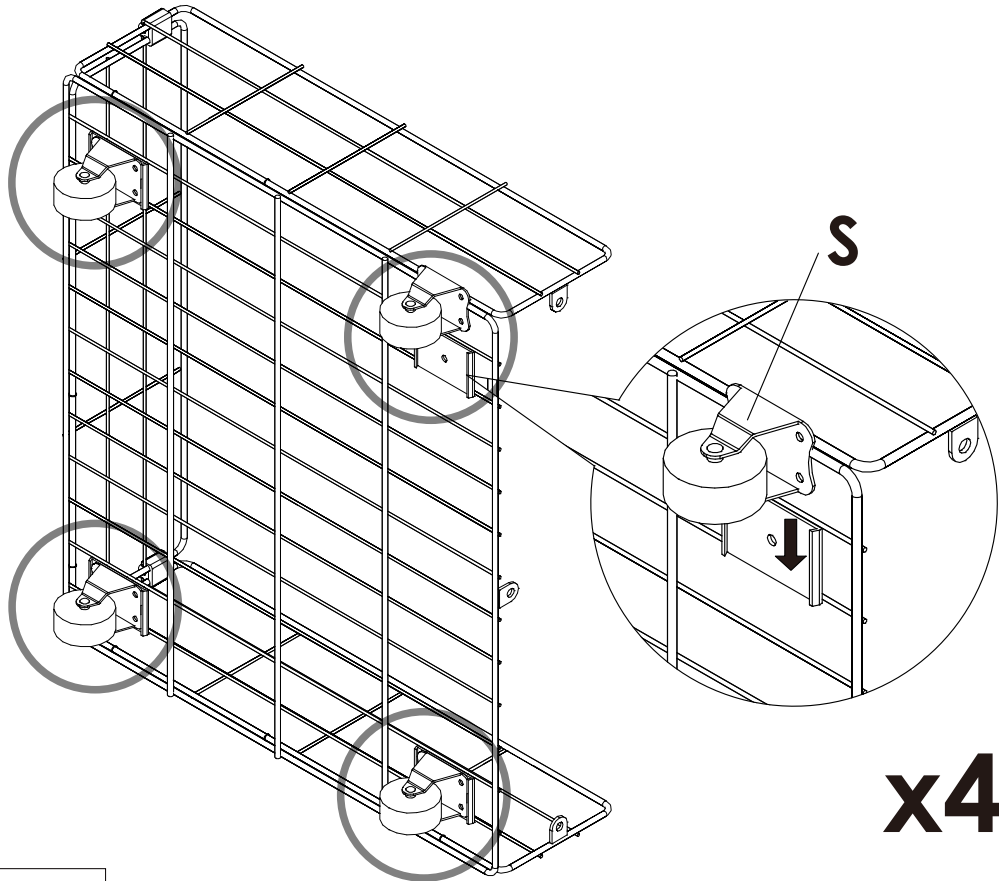
## STEP 4



T x 8PCS

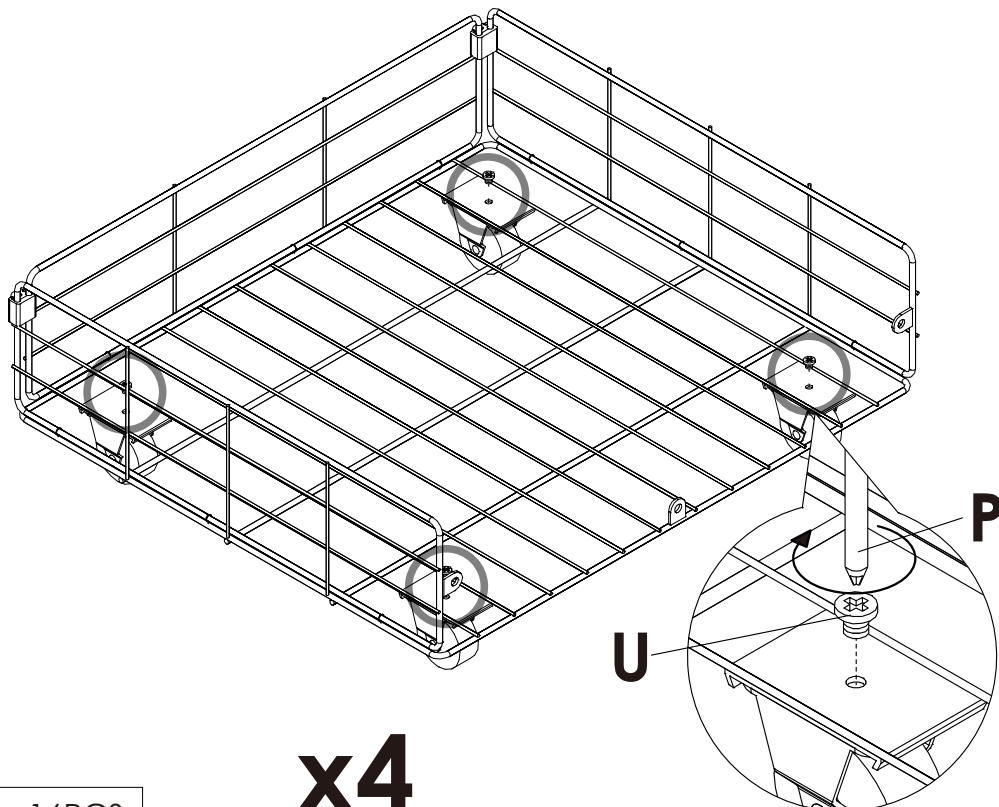
# Assembly Instruction of (Drawer)

## STEP 5



S x 16PCS

## STEP 6



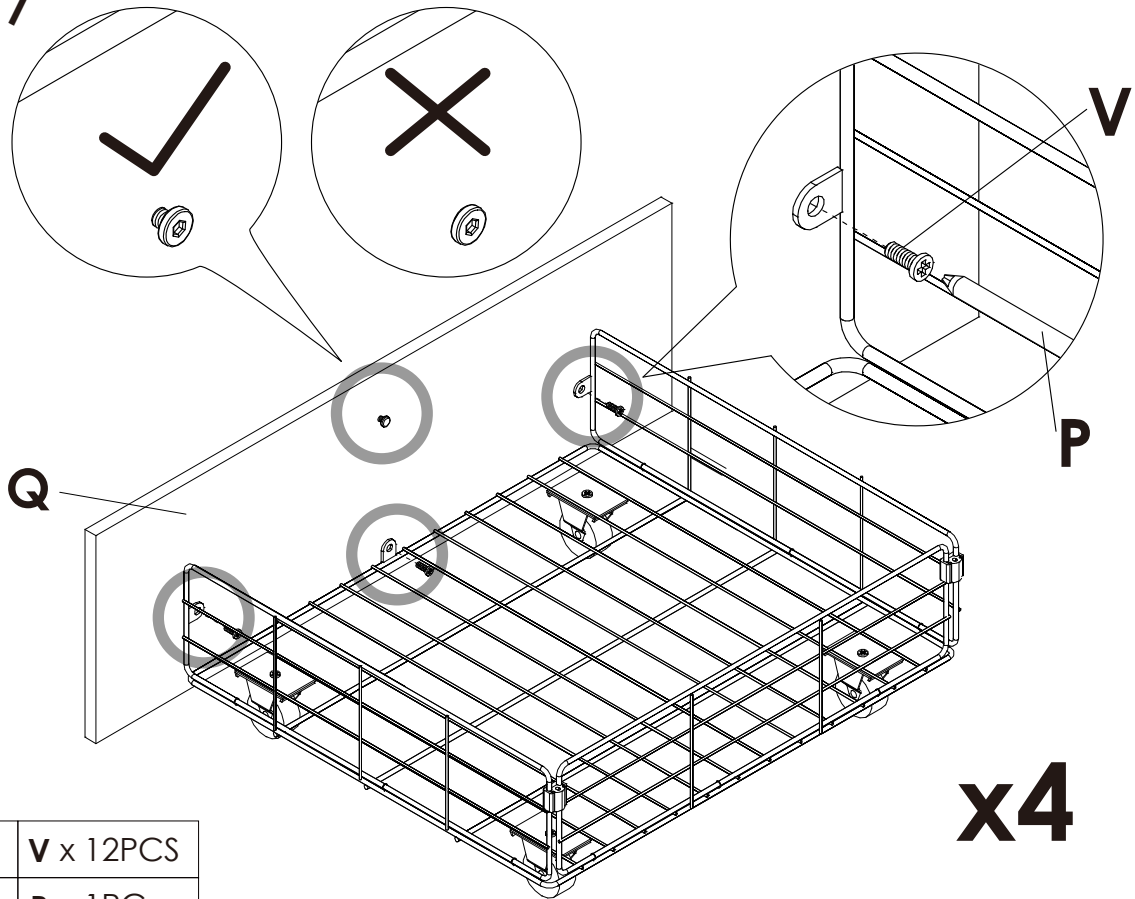
U x 16PCS

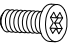



P x 1PC

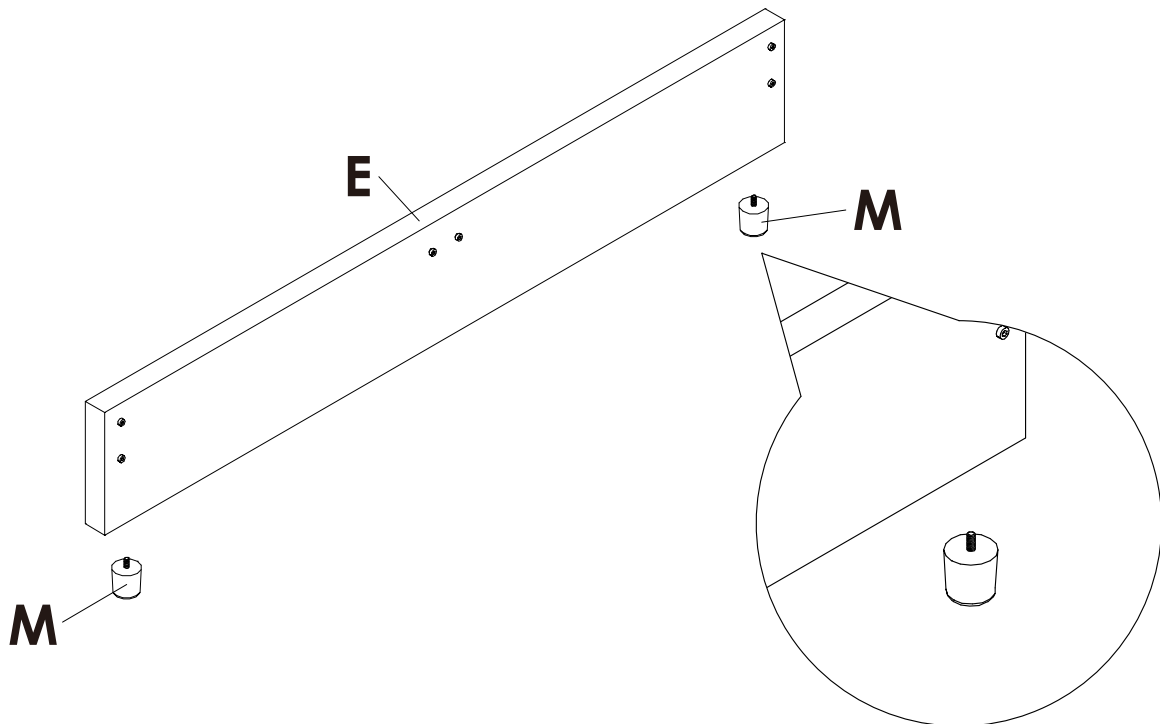
# Assembly Instruction of (Drawer)

## STEP 7



	V x 12PCS
	P x 1PC

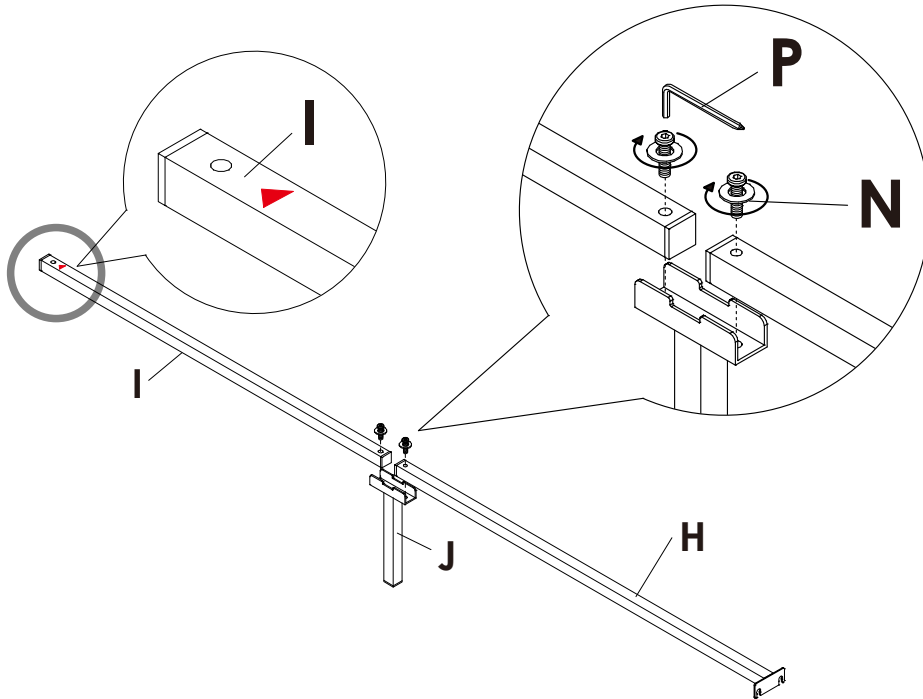
## STEP 8

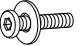



# Assembly Instruction of (Bed)

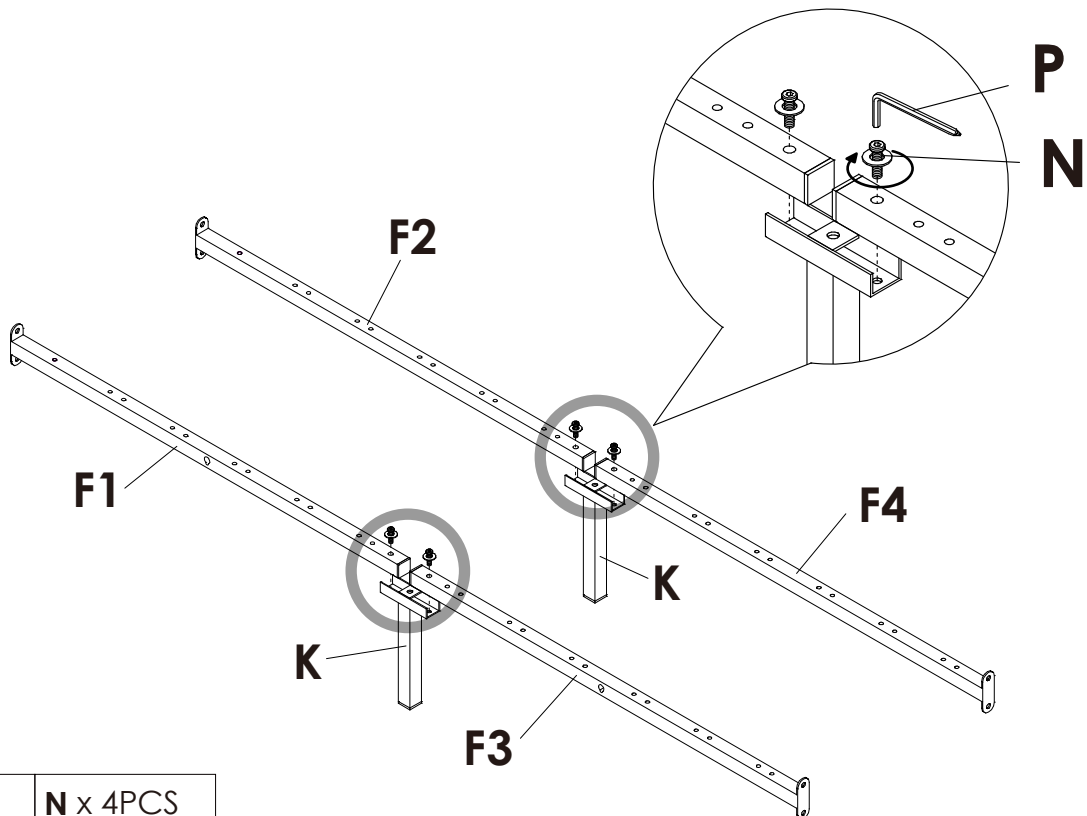
## STEP 9

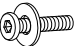

Noted that the middle cross beam, the direction of the red arrow is the front



	N x 2PCS
	P x 1PC

## STEP 10

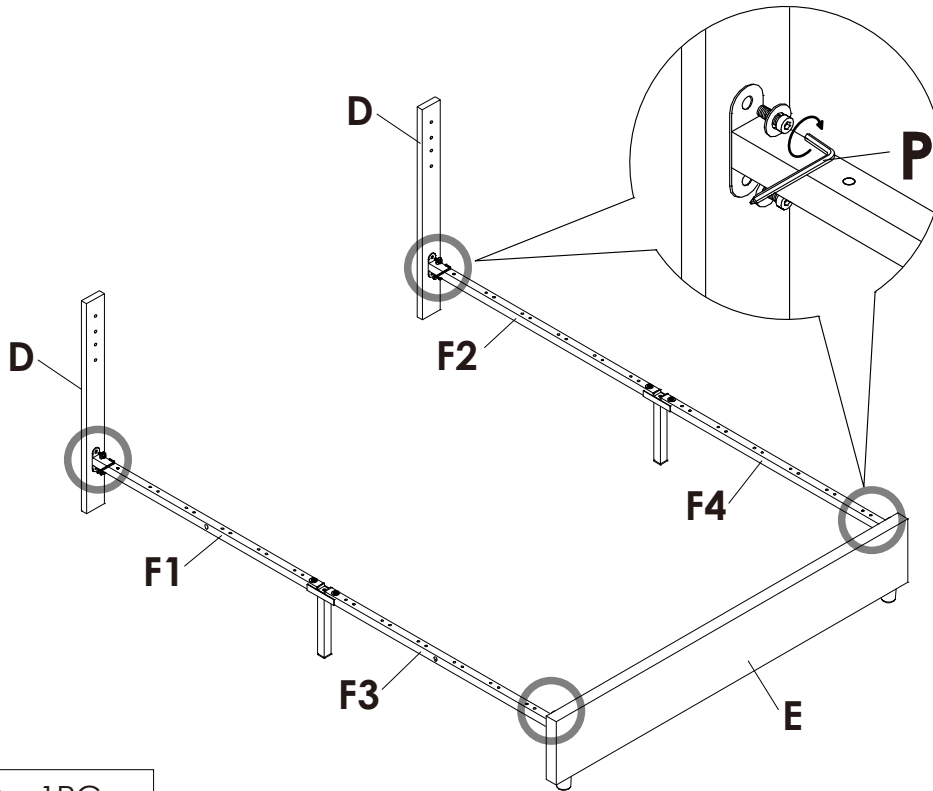


	N x 4PCS
	P x 1PC

# Assembly Instruction of (Bed)

## STEP 11

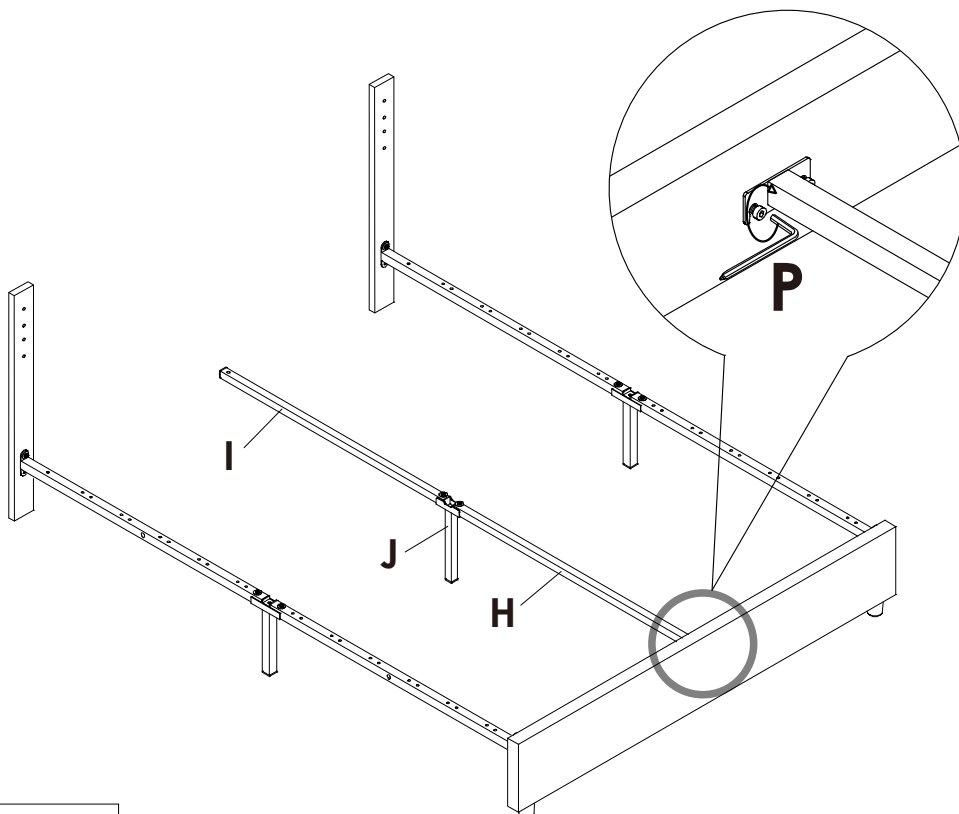
Loosen the screw of headboard side leg and both sides of footboard, hanging the bracket and tight the innerscrew.



P x 1PC

## STEP 12

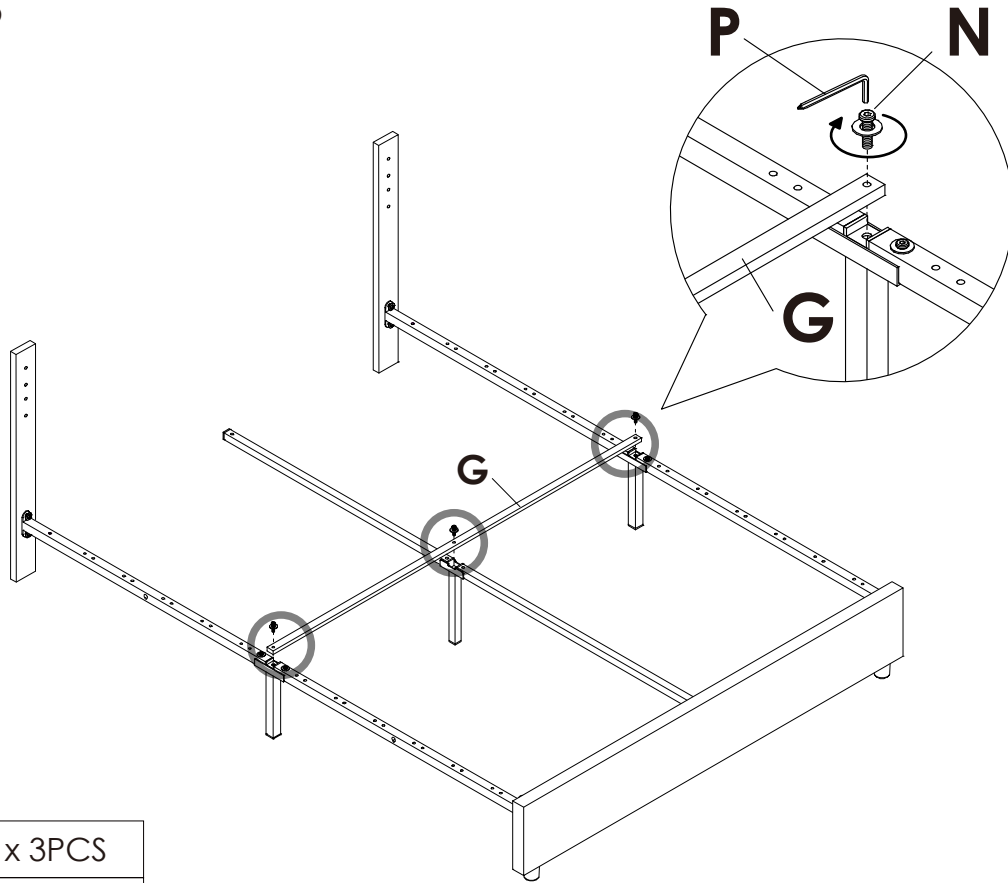
Loosen the screw of the middle of footboard, hanging the bracket and tight the innerscrew.

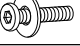



P x 1PC

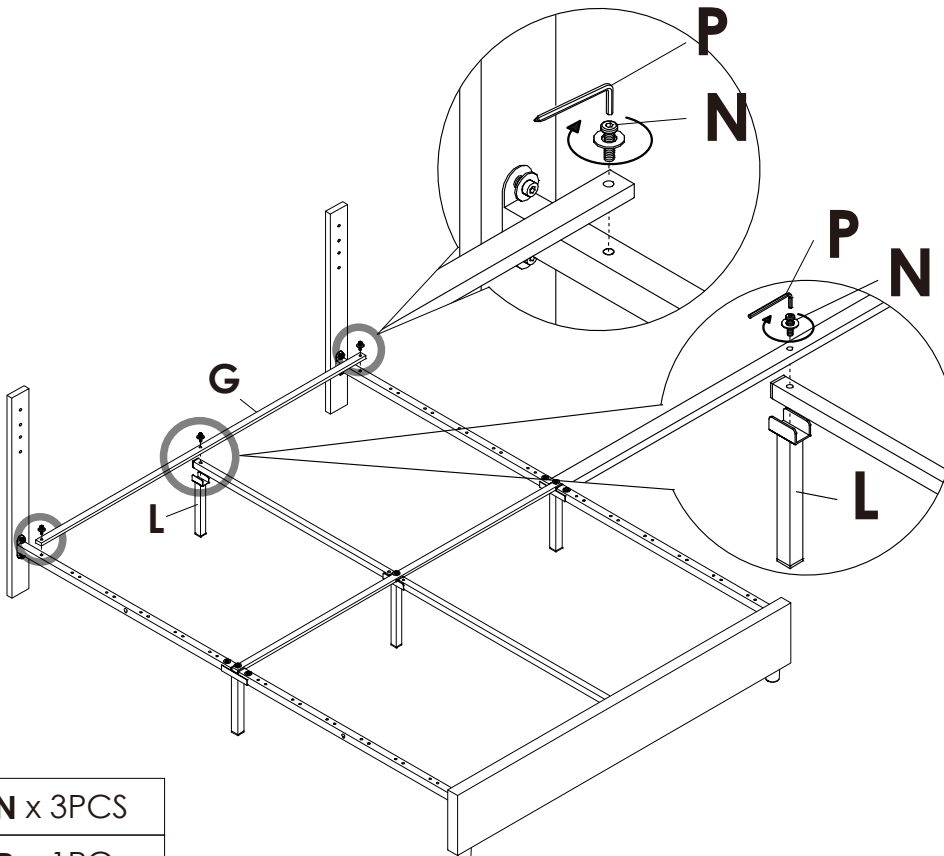
# Assembly Instruction of (Bed)



## STEP 13



	<b>N</b> x 3PCS
	<b>P</b> x 1PC

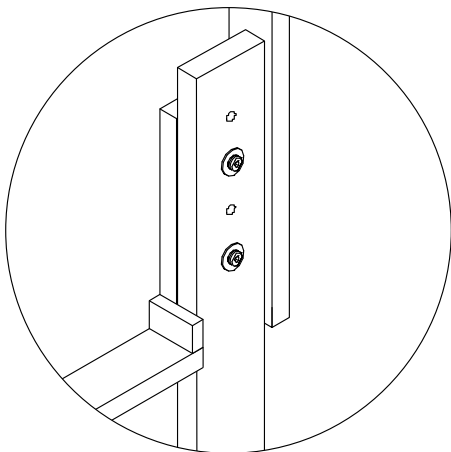
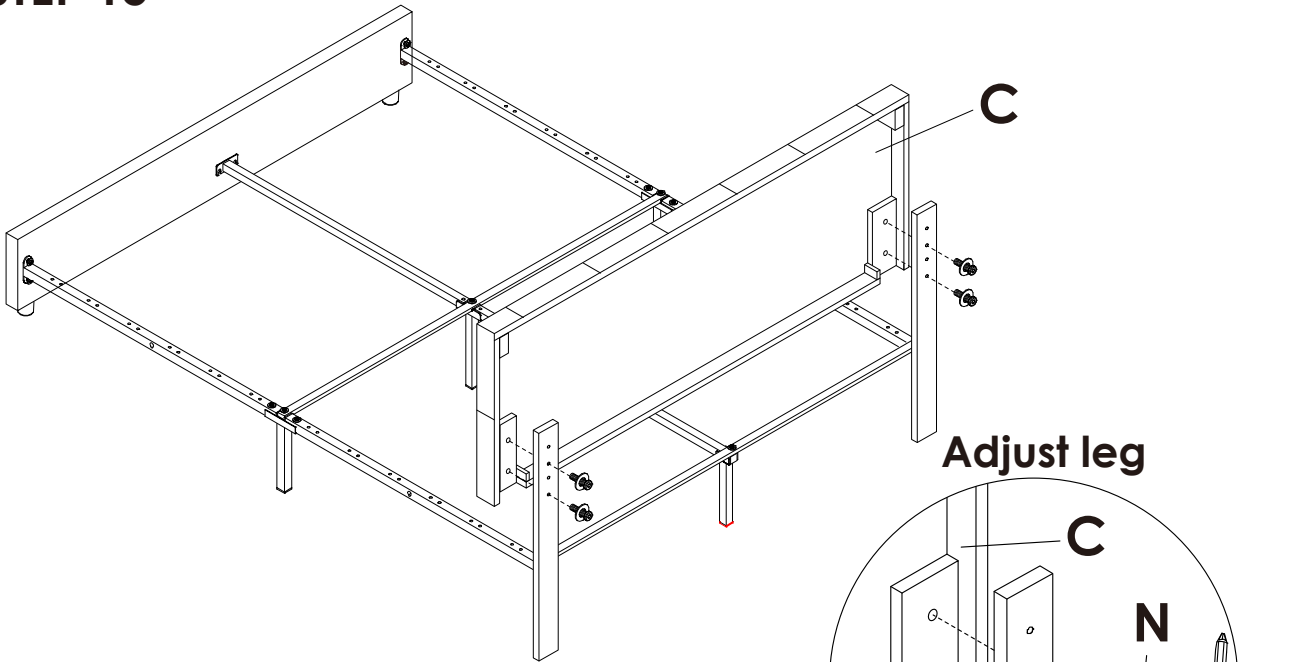
## STEP 14



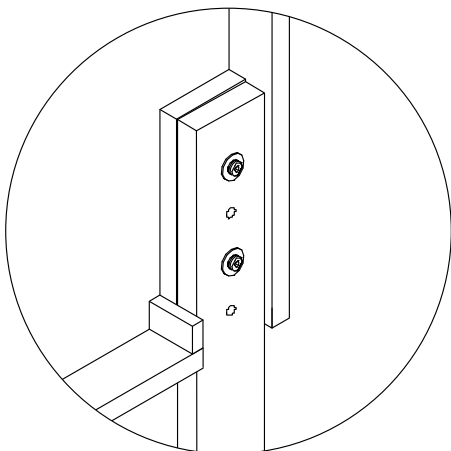
	<b>N</b> x 3PCS
	<b>P</b> x 1PC

# Assembly Instruction of (Bed)

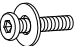

## STEP 15



Fits a 10 inch thick mattress when attach screws to these holes.

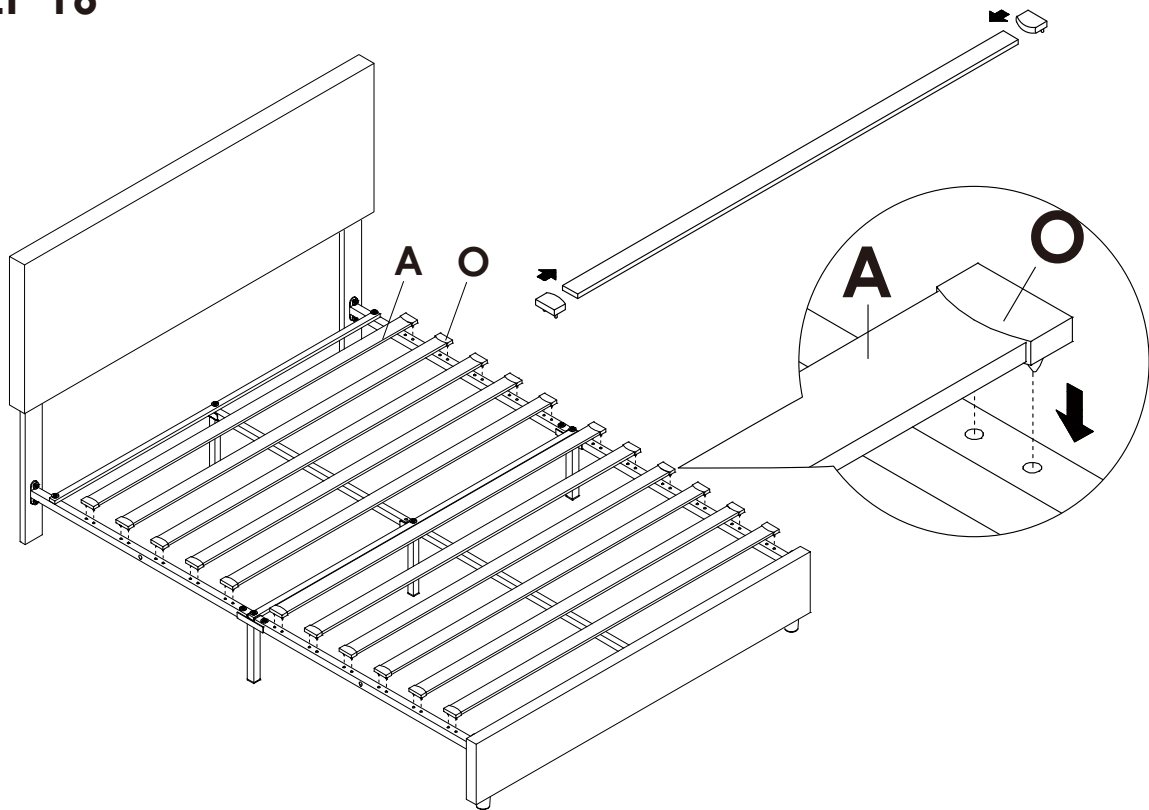


Fits a 12 inch thick mattress when attach screws to these holes

	<b>N</b> x 4PCS
	<b>P</b> x 1PC

## Assembly Instruction of (Bed)

### STEP 16



### STEP 17

Drawer panel screw hang into side cross beam hole.

