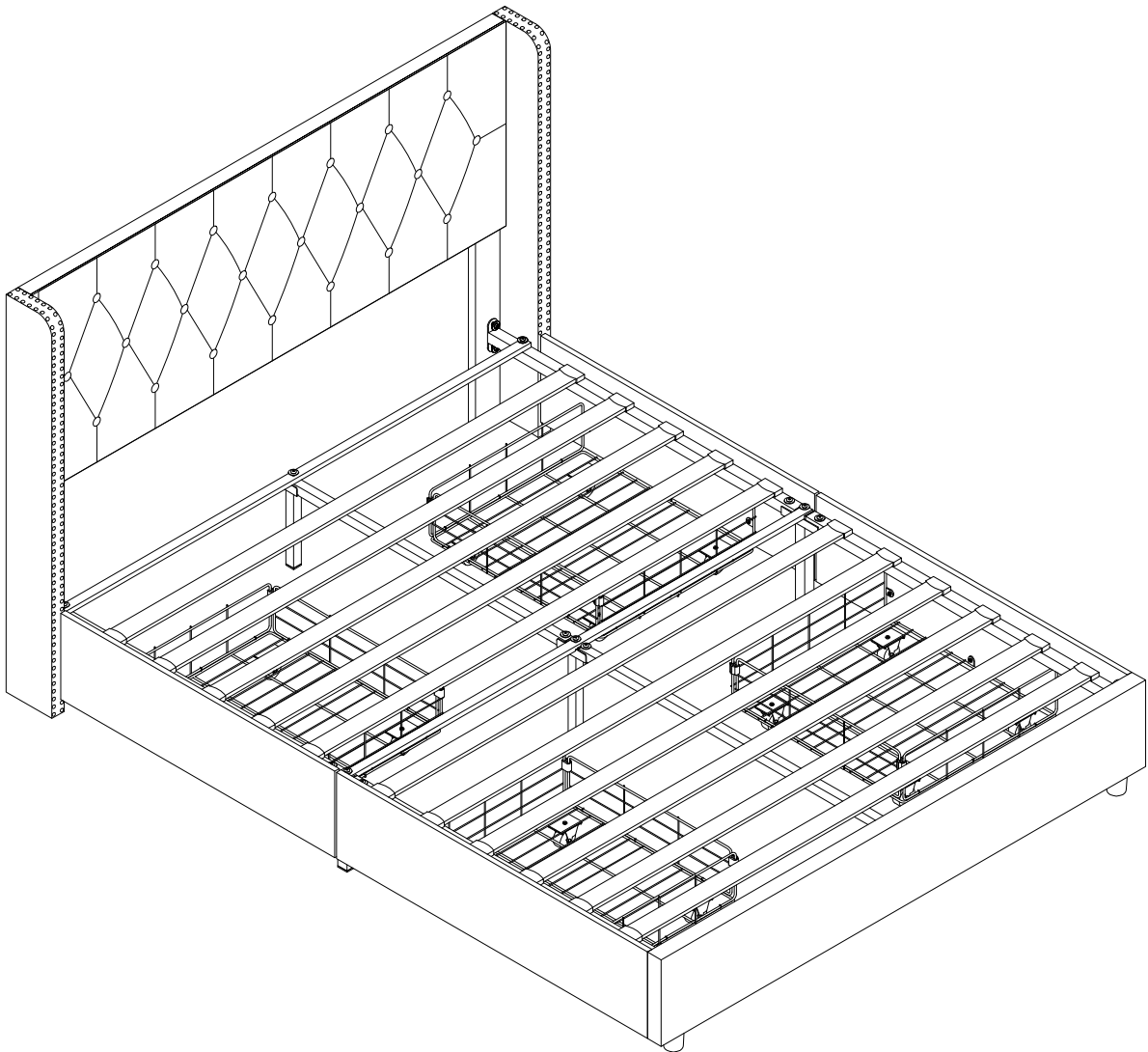


# User's Manual

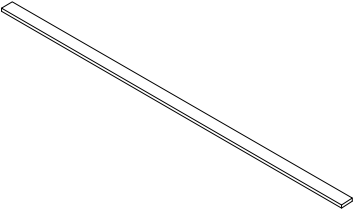
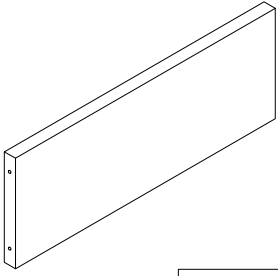


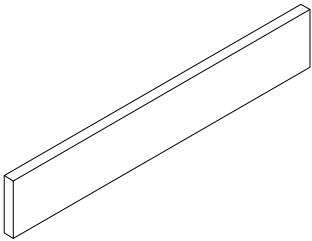
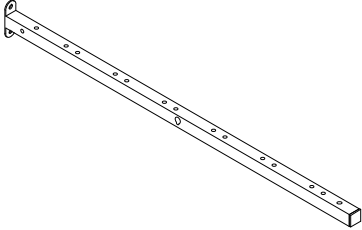
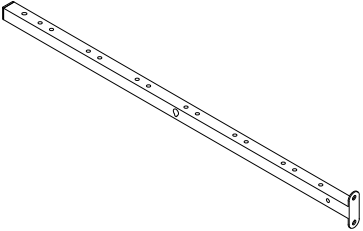
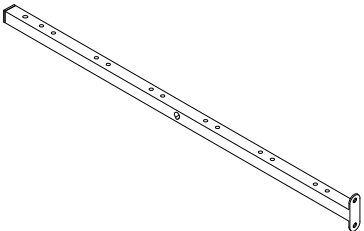
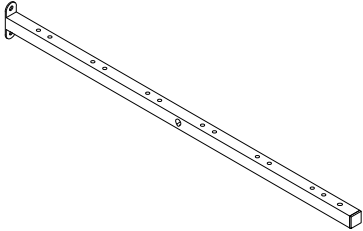
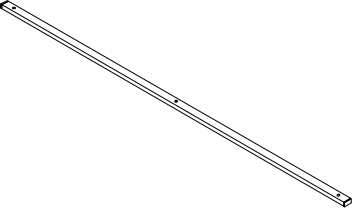
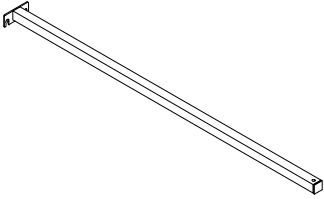
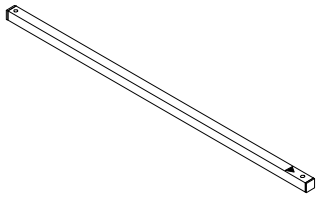
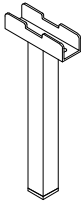
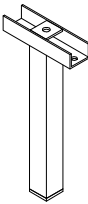

---

## Bed Frame

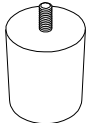
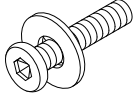
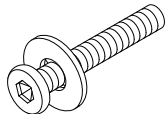
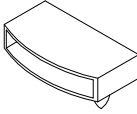
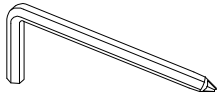
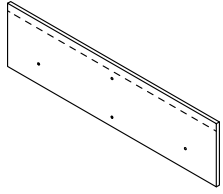


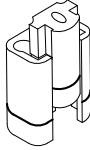
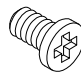
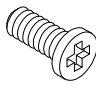

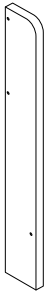


**Bed Frame (Queen Size)**

## Assembly Instruction of (Bed)

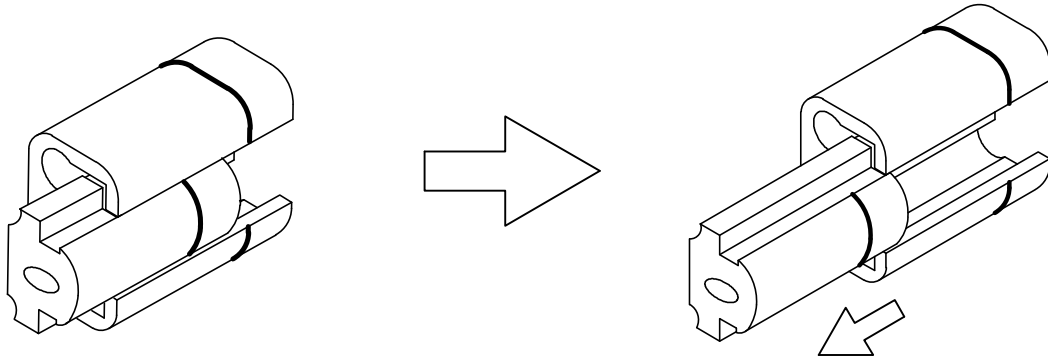
<p><b>A</b> Slat</p>  <p style="text-align: right;">12PCS</p>	<p><b>C</b> Headboard</p>  <p style="text-align: right;">1PC</p>	<p><b>D</b> Headboard side leg</p>  <p style="text-align: right;">1PC</p>
<p><b>D1</b> Headboard side leg</p>  <p style="text-align: right;">1PC</p>	<p><b>E</b> Footboard</p>  <p style="text-align: right;">1PC</p>	<p><b>F1</b> Side cross beam</p>  <p style="text-align: right;">1PC</p>
<p><b>F2</b> Side cross beam</p>  <p style="text-align: right;">1PC</p>	<p><b>F3</b> Side cross beam</p>  <p style="text-align: right;">1PC</p>	<p><b>F4</b> Side cross beam</p>  <p style="text-align: right;">1PC</p>
<p><b>G</b> Middle cross beam</p>  <p style="text-align: right;">2PCS</p>	<p><b>H</b> Back Middle cross beam</p>  <p style="text-align: right;">1PC</p>	<p><b>I</b> Front Middle cross beam</p>  <p style="text-align: right;">1PC</p>
<p><b>J</b> Middle leg</p>  <p style="text-align: right;">1PC</p>	<p><b>K</b> Edge of the foot</p>  <p style="text-align: right;">2PCS</p>	<p><b>L</b> Front Leg</p>  <p style="text-align: right;">1PC</p>

## Assembly Instruction of (Bed)

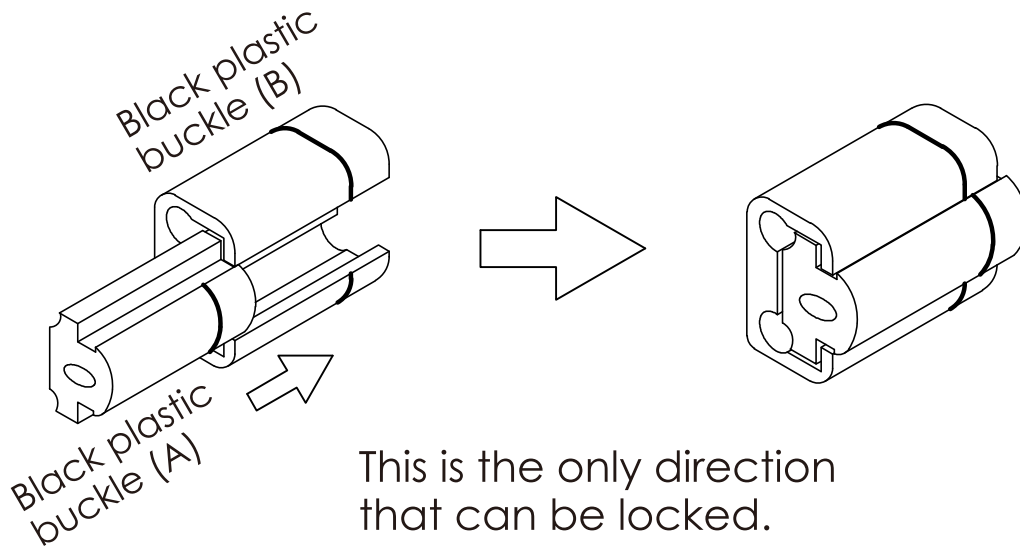
<p><b>M</b> Bed leg</p> <div style="text-align: center; margin: 10px 0;">  </div> <div style="text-align: right; margin-top: 10px;"> <div style="border: 1px solid black; padding: 2px 10px; display: inline-block;">2PCS</div> </div>	<p><b>N</b> Innerscrew</p> <div style="text-align: center; margin: 10px 0;">  </div> <div style="text-align: right; margin-top: 10px;"> <p>M8×45mm</p> <div style="border: 1px solid black; padding: 2px 10px; display: inline-block;">20+1PCS</div> </div>	<p><b>N1</b> Innerscrew</p> <div style="text-align: center; margin: 10px 0;">  </div> <div style="text-align: right; margin-top: 10px;"> <p>M8×60mm</p> <div style="border: 1px solid black; padding: 2px 10px; display: inline-block;">2PCS</div> </div>
<p><b>O</b> Edge slab</p> <div style="text-align: center; margin: 10px 0;">  </div> <div style="text-align: right; margin-top: 10px;"> <div style="border: 1px solid black; padding: 2px 10px; display: inline-block;">24+2PCS</div> </div>	<p><b>P</b> Inner allen wrench</p> <div style="text-align: center; margin: 10px 0;">  </div> <div style="text-align: right; margin-top: 10px;"> <div style="border: 1px solid black; padding: 2px 10px; display: inline-block;">1PC</div> </div>	<p><b>Q</b> Drawer panel</p> <div style="text-align: center; margin: 10px 0;">  </div> <div style="text-align: right; margin-top: 10px;"> <div style="border: 1px solid black; padding: 2px 10px; display: inline-block;">4PCS</div> </div>
<p><b>R</b> Drawer</p> <div style="text-align: center; margin: 10px 0;">  </div> <div style="text-align: right; margin-top: 10px;"> <div style="border: 1px solid black; padding: 2px 10px; display: inline-block;">4PCS</div> </div>	<p><b>S</b> Drawer wheel</p> <div style="text-align: center; margin: 10px 0;">  </div> <div style="text-align: right; margin-top: 10px;"> <div style="border: 1px solid black; padding: 2px 10px; display: inline-block;">16PCS</div> </div>	<p><b>T</b> Drawer connector</p> <div style="text-align: center; margin: 10px 0;">  </div> <div style="text-align: right; margin-top: 10px;"> <div style="border: 1px solid black; padding: 2px 10px; display: inline-block;">8PCS</div> </div>
<p><b>U</b> Screw</p> <div style="text-align: center; margin: 10px 0;">  </div> <div style="text-align: right; margin-top: 10px;"> <p>M6×12mm</p> <div style="border: 1px solid black; padding: 2px 10px; display: inline-block;">16+2PCS</div> </div>	<p><b>V</b> Screw</p> <div style="text-align: center; margin: 10px 0;">  </div> <div style="text-align: right; margin-top: 10px;"> <p>M6×15mm</p> <div style="border: 1px solid black; padding: 2px 10px; display: inline-block;">12PCS</div> </div>	<p><b>R1</b> Left wing</p> <div style="text-align: center; margin: 10px 0;">  </div> <div style="text-align: right; margin-top: 10px;"> <div style="border: 1px solid black; padding: 2px 10px; display: inline-block;">1PC</div> </div>
<p><b>R2</b> Right wing</p> <div style="text-align: center; margin: 10px 0;">  </div> <div style="text-align: right; margin-top: 10px;"> <div style="border: 1px solid black; padding: 2px 10px; display: inline-block;">1PC</div> </div>		

## Assembly Instruction of (Drawer)

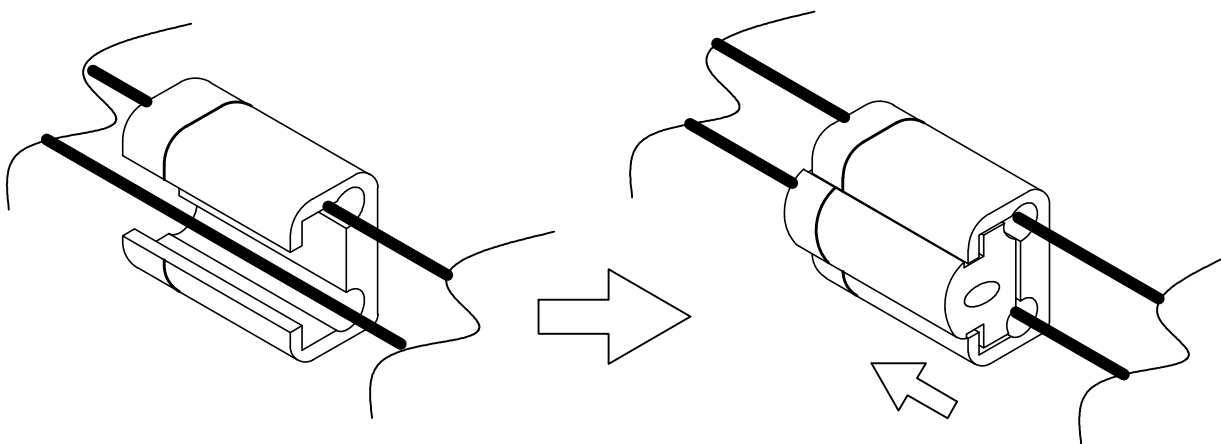
### STEP 1



You can pull the buckle out by following the direction indicated by the arrow



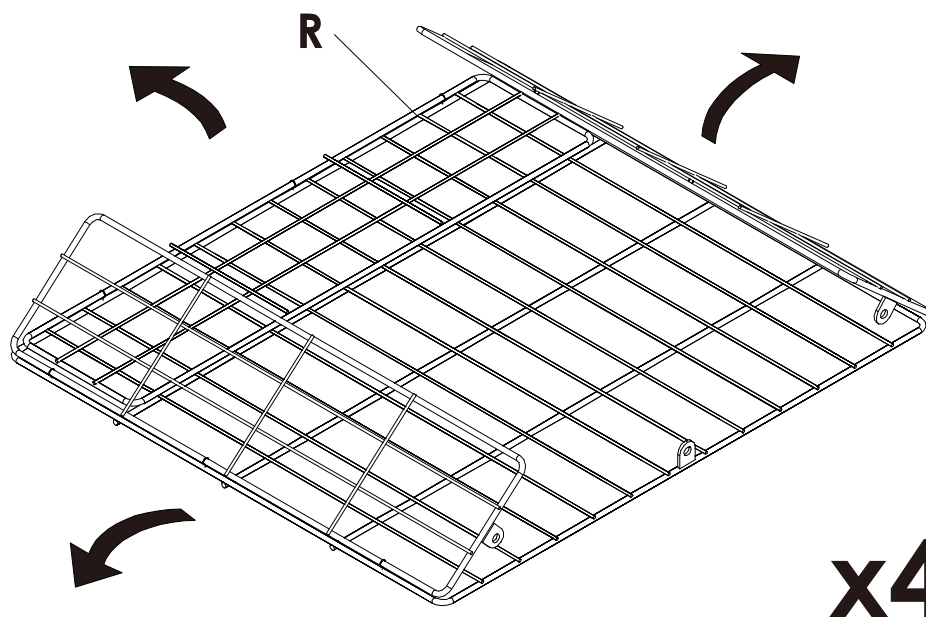
### STEP 2



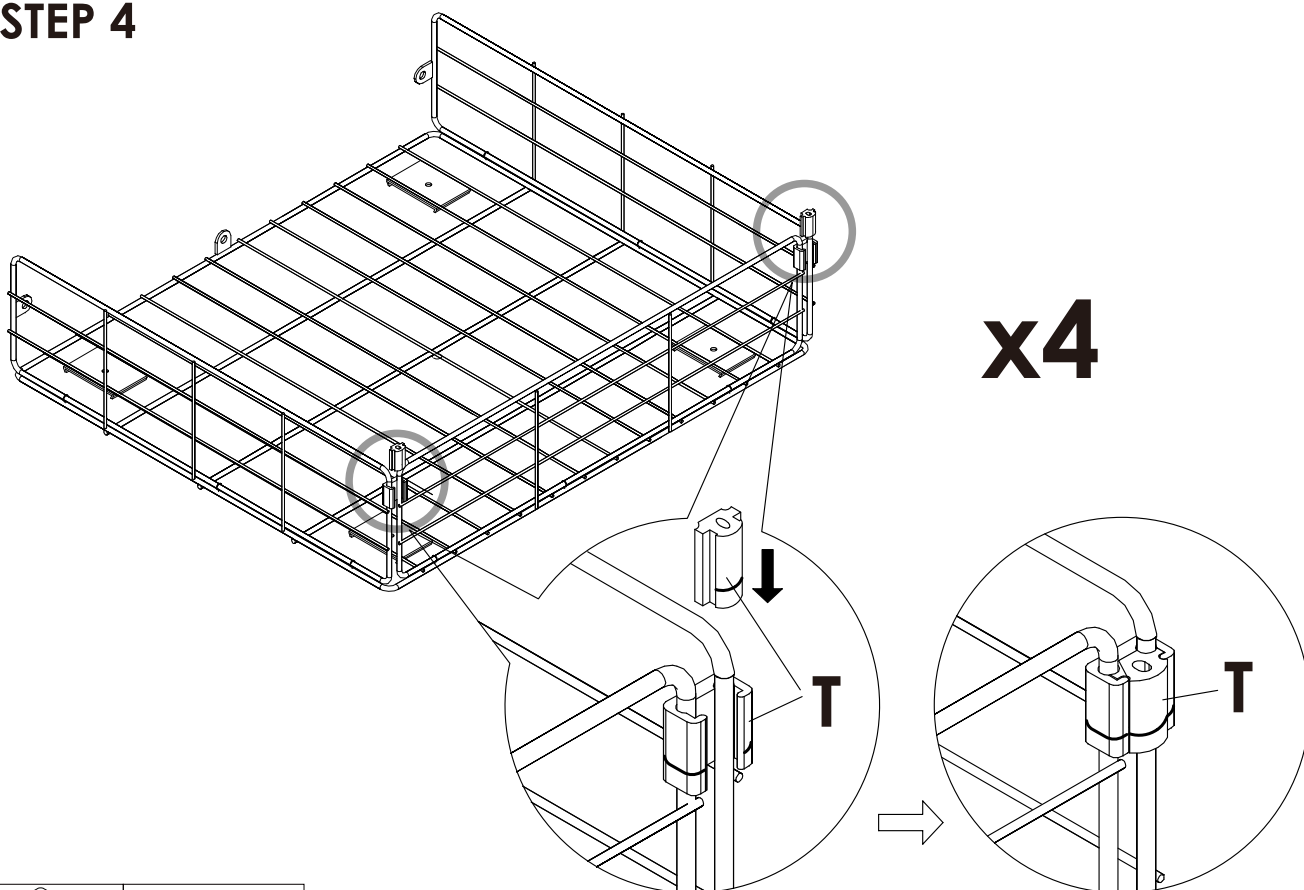
Place round iron tube as shown for better drawer assembly

# Assembly Instruction of (Drawer)

## STEP 3



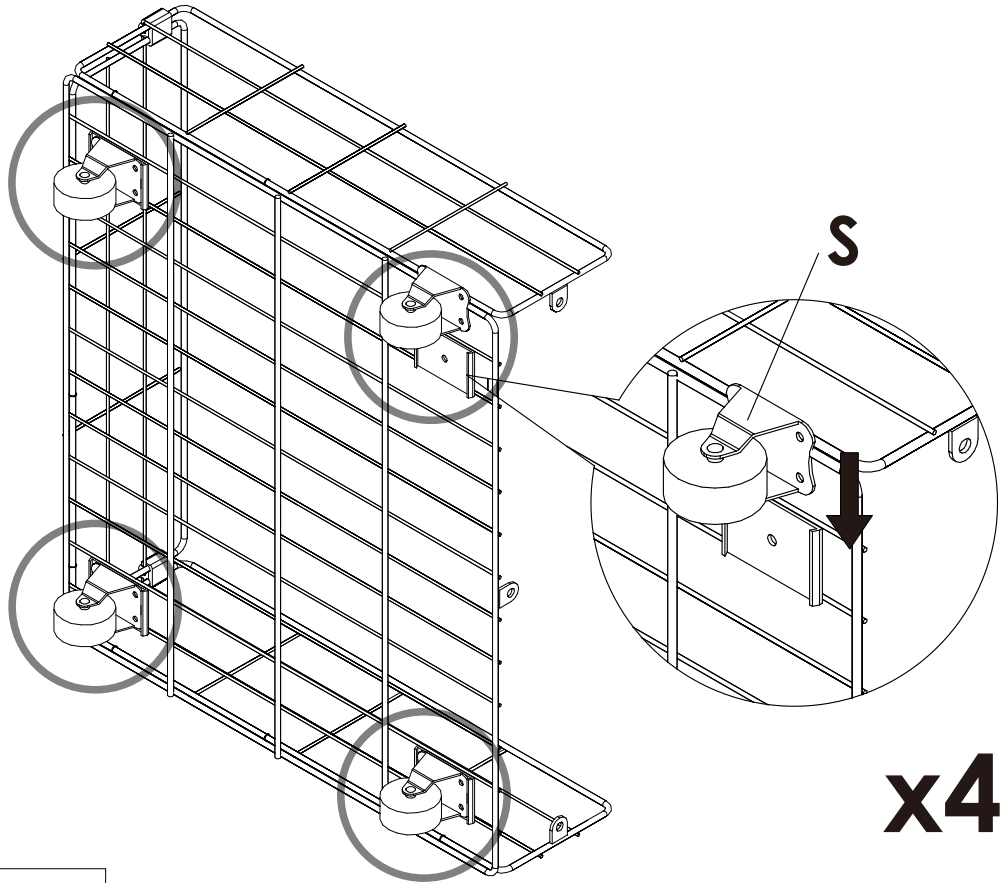
## STEP 4



T x 8PCS

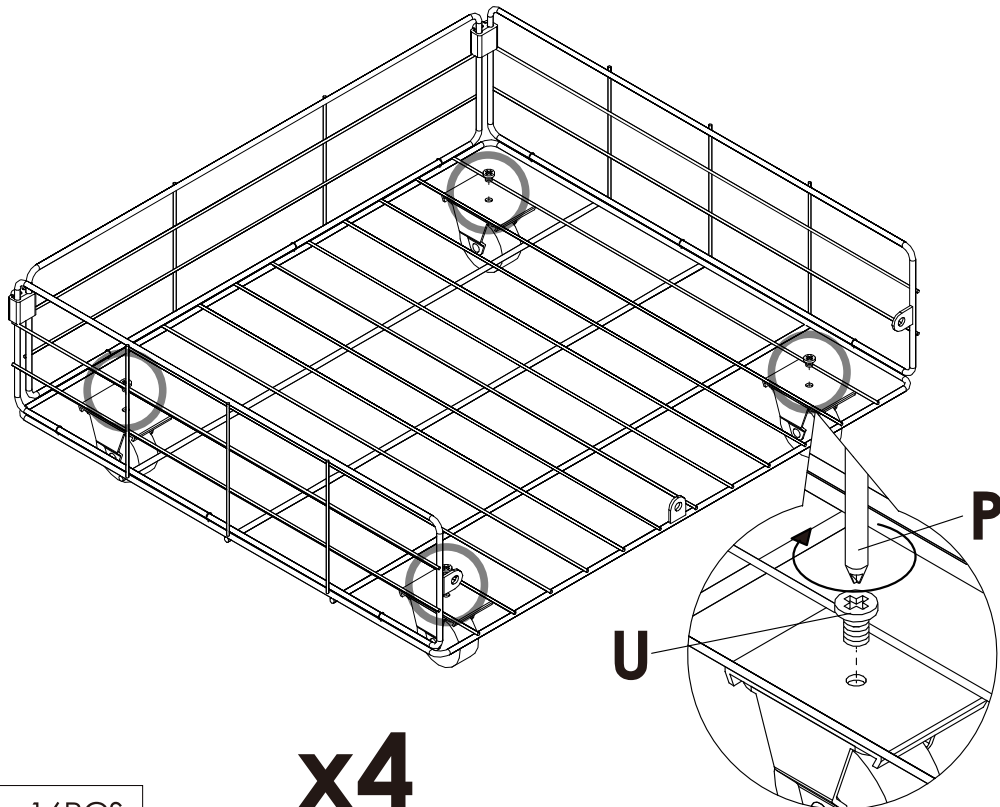
# Assembly Instruction of (Drawer)

## STEP 5



**S** x 16PCS

## STEP 6



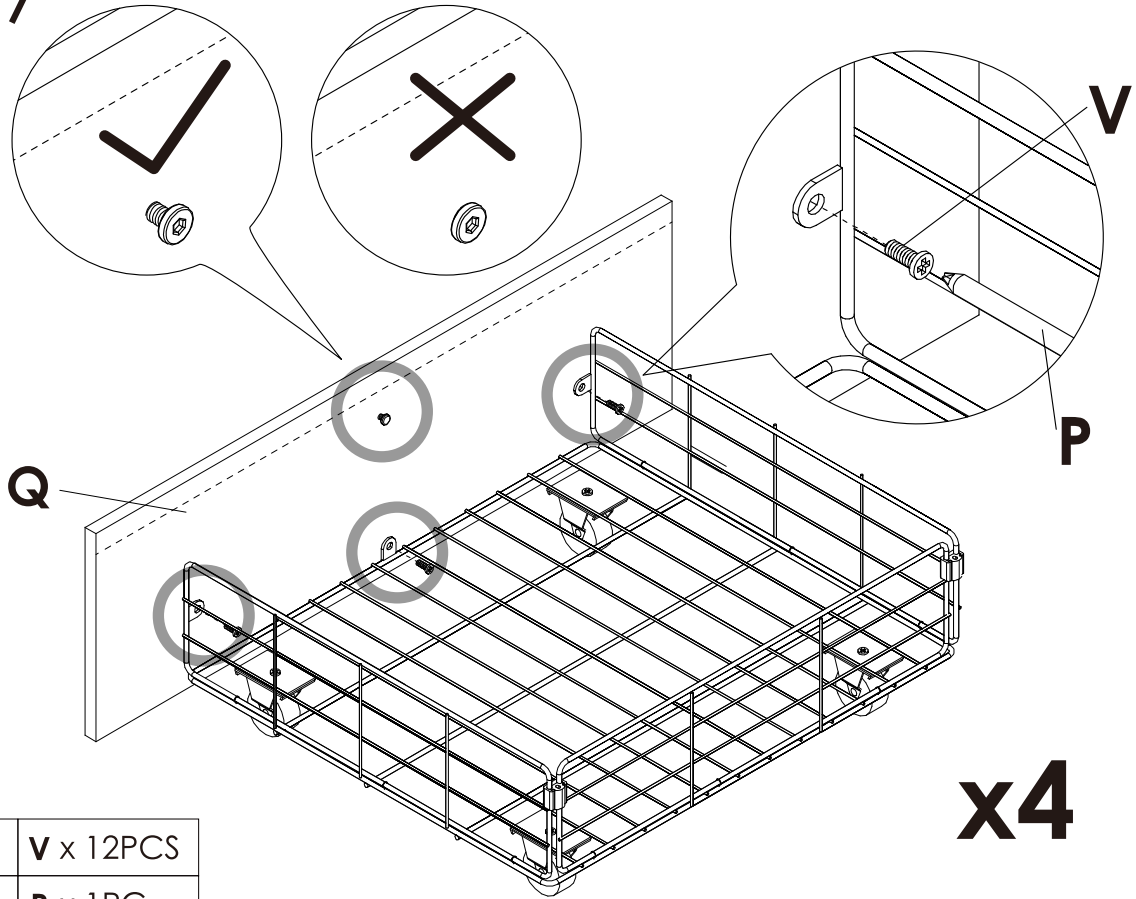
**U** x 16PCS

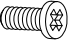



**P** x 1PC

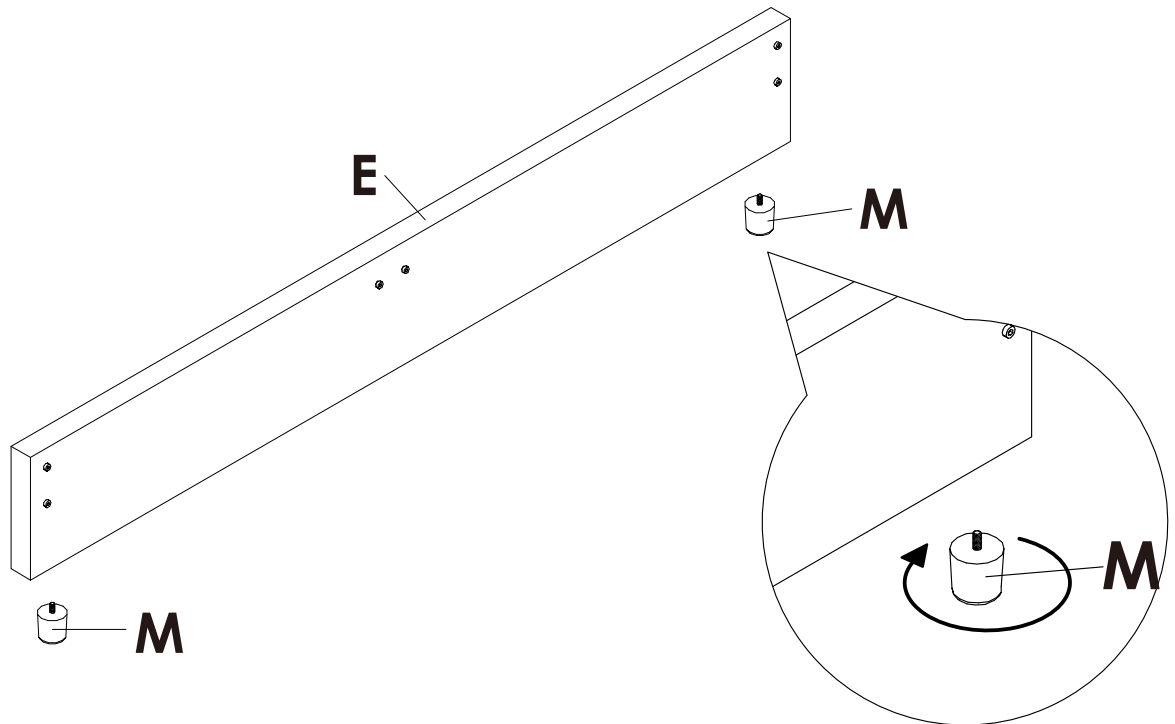
# Assembly Instruction of (Drawer)

## STEP 7



	<b>V x 12PCS</b>
	<b>P x 1PC</b>

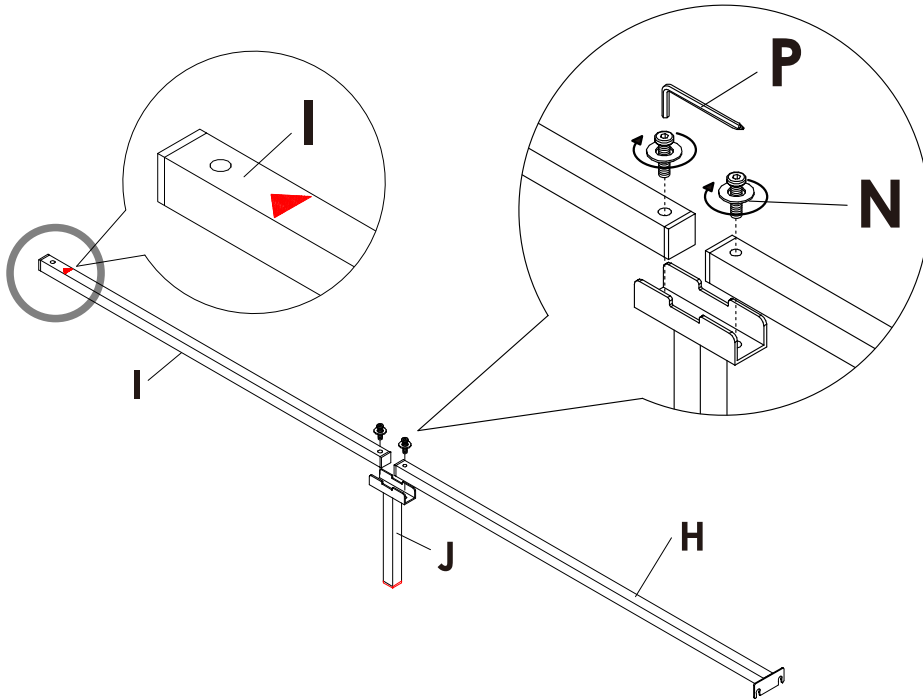
## STEP 8





# Assembly Instruction of (Bed)

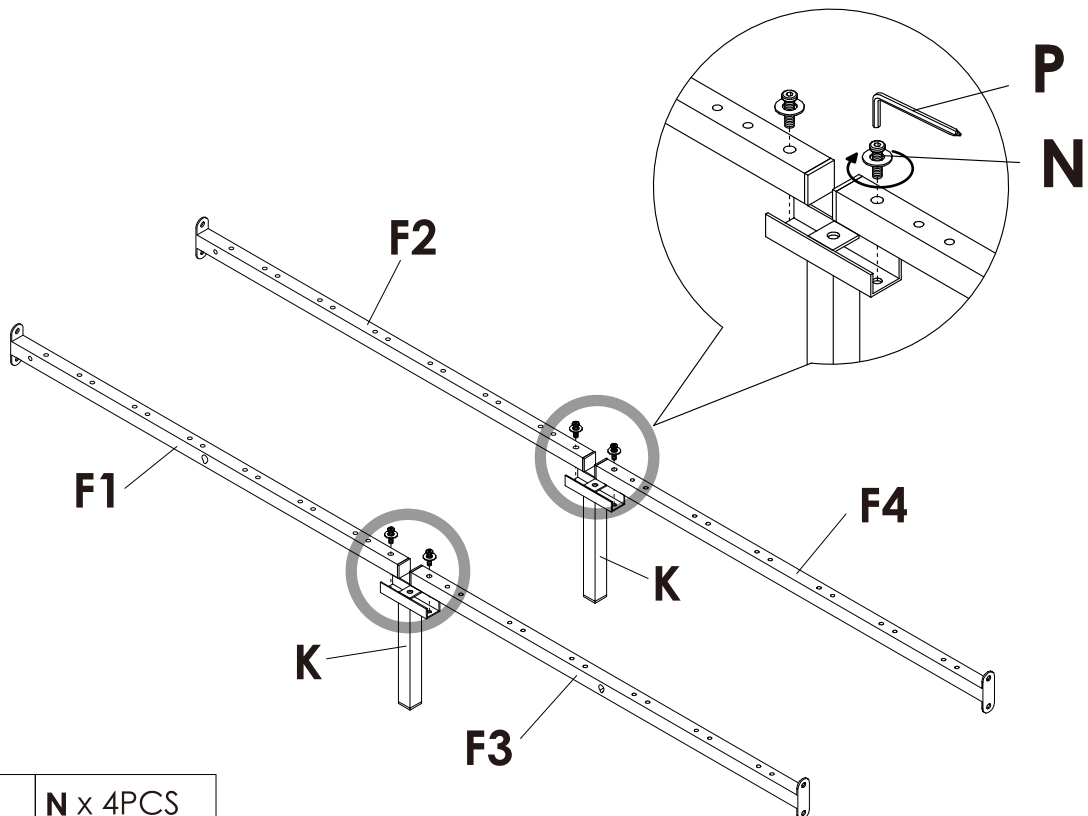
## STEP 9


Noted that the middle cross beam, the direction of the red arrow is the front



	N x 2PCS
	P x 1PC

## STEP 10



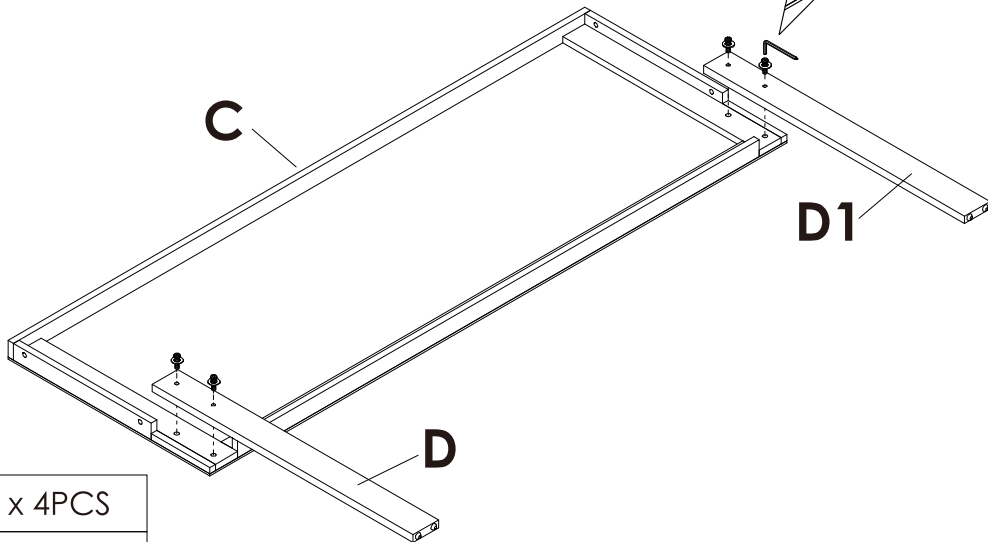
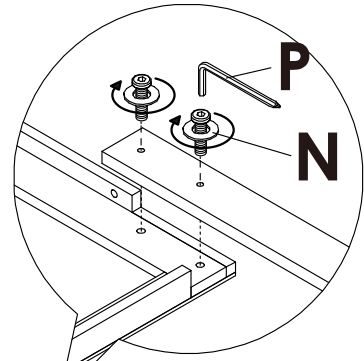
	N x 4PCS
	P x 1PC



# Assembly Instruction of (Bed)

## STEP 11



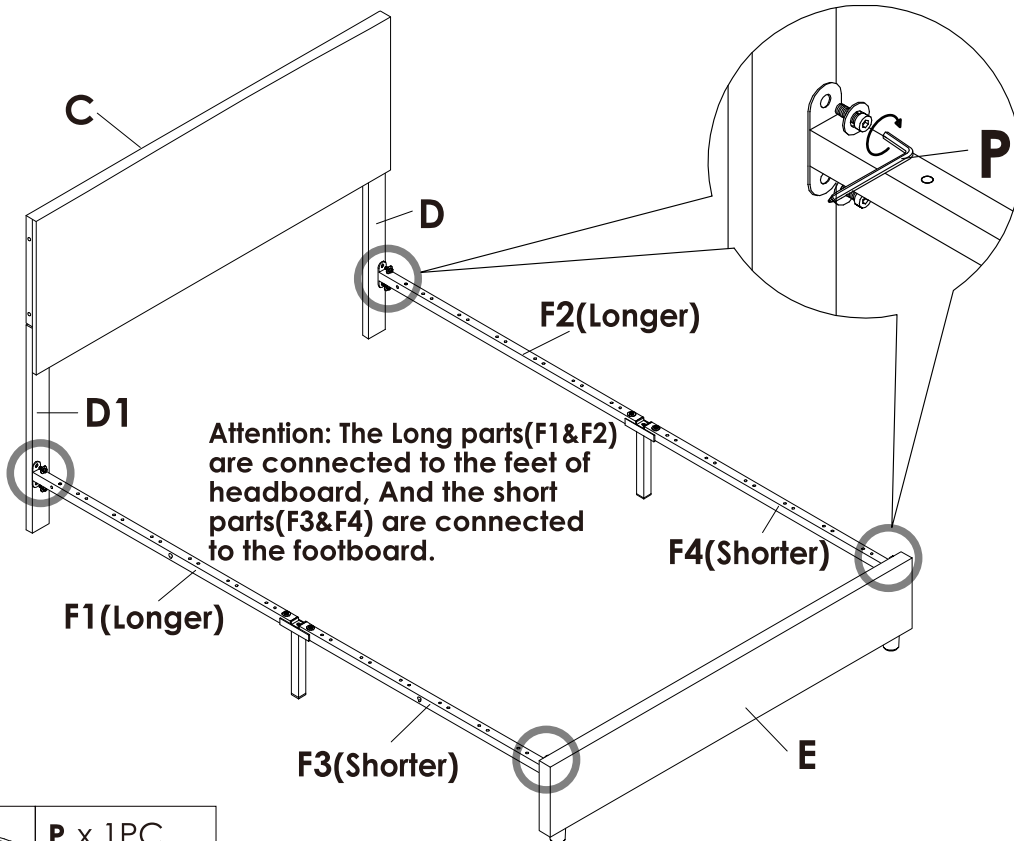
**Attention:**  
The legs #D&D1 of headboard could not be exchanged.



	N x 4PCS
	P x 1PC

## STEP 12

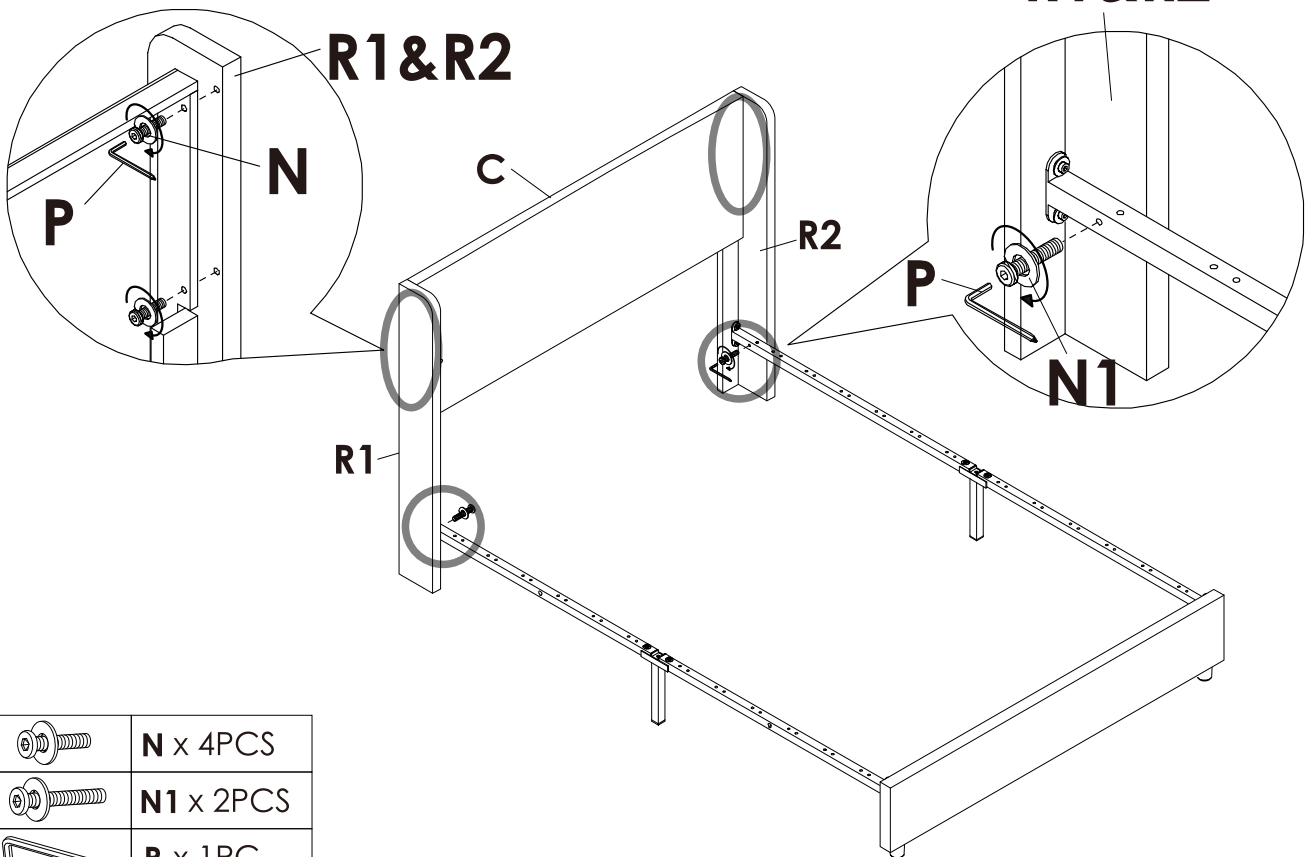
Loosen the screw of headboard side leg and both sides of footboard, hanging the bracket and tight the innerscrew.






	P x 1PC
---	---------

# Assembly Instruction of (Bed)

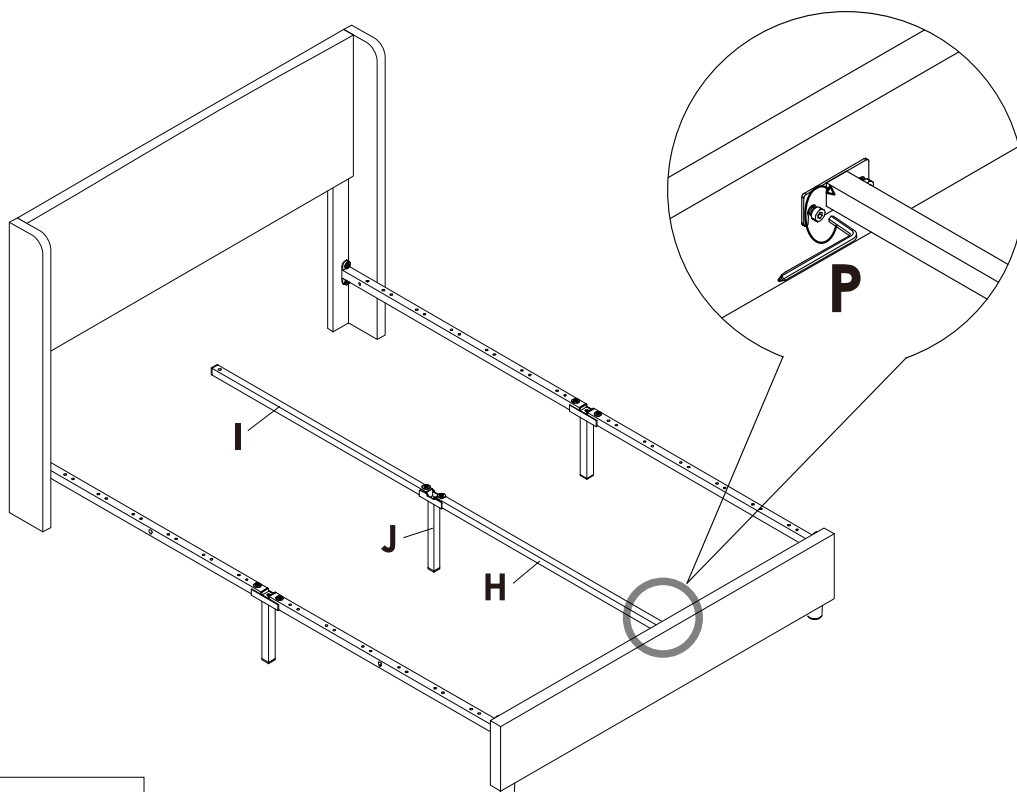
## STEP 13



	N x 4PCS
	N1 x 2PCS
	P x 1PC

## STEP 14

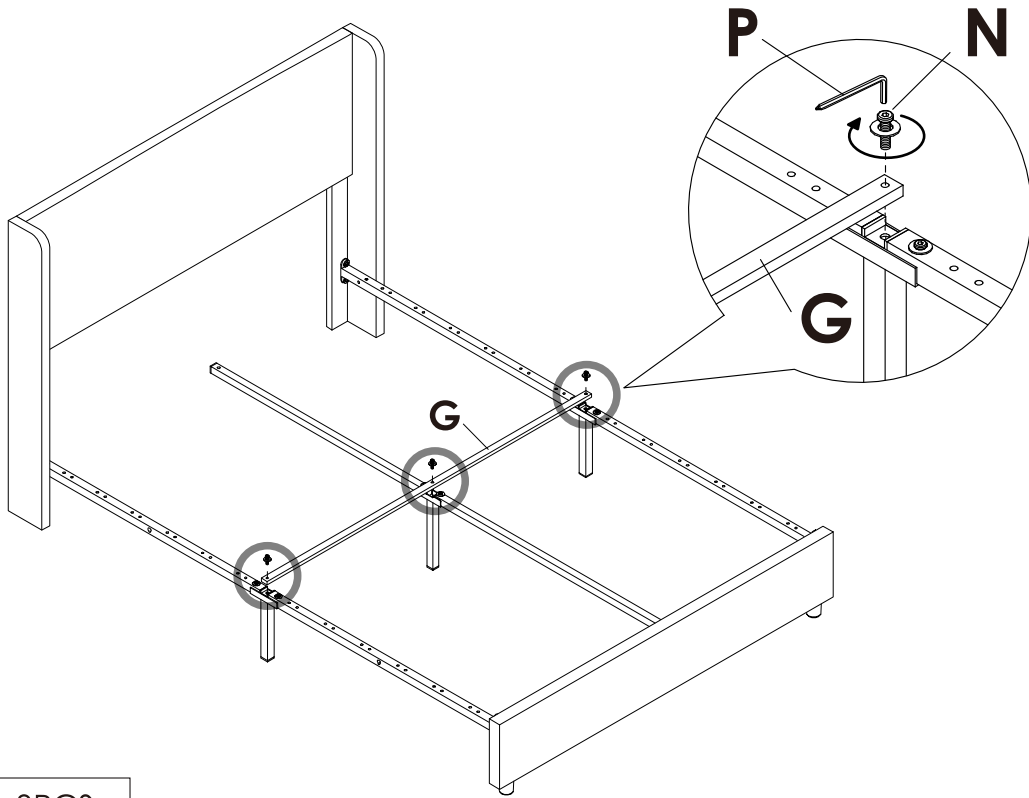
Loosen the screw of the middle of footboard, hanging the bracket and tight the innerscrew.





	P x 1PC
---	---------

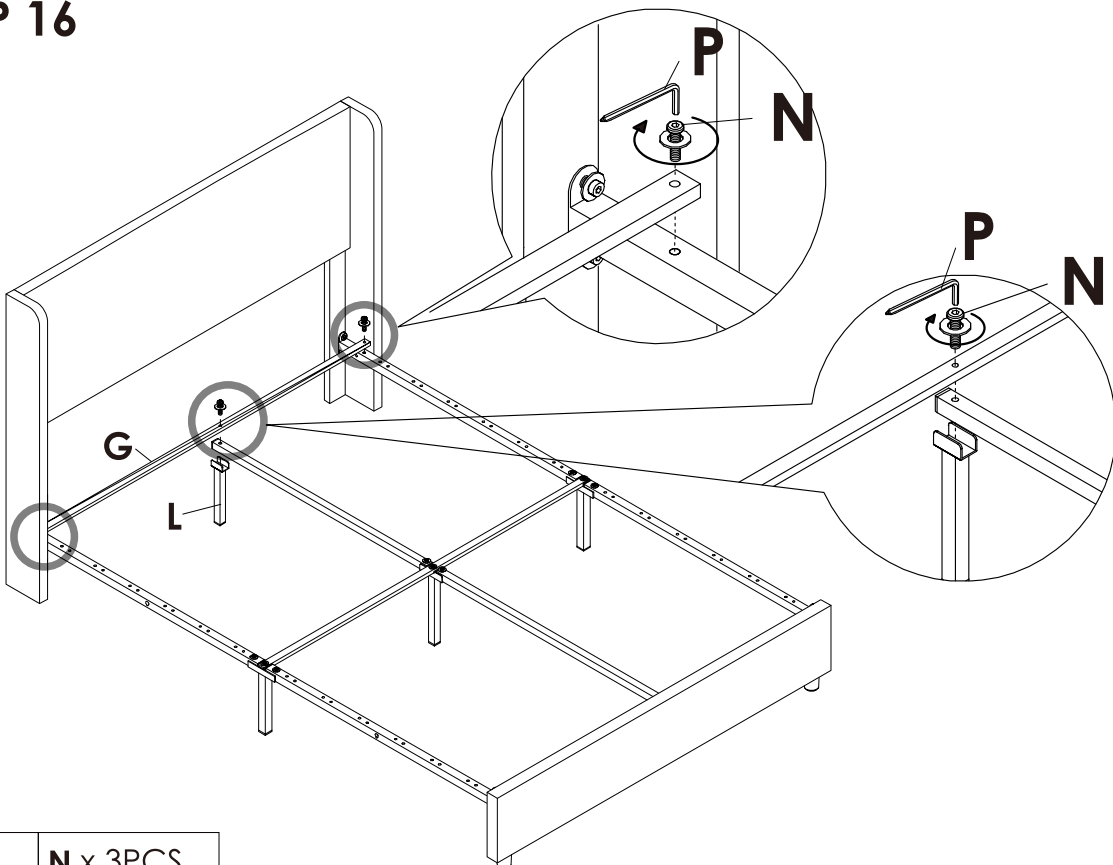
# Assembly Instruction of (Bed)

## STEP 15



	<b>N</b> x 3PCS
	<b>P</b> x 1PC

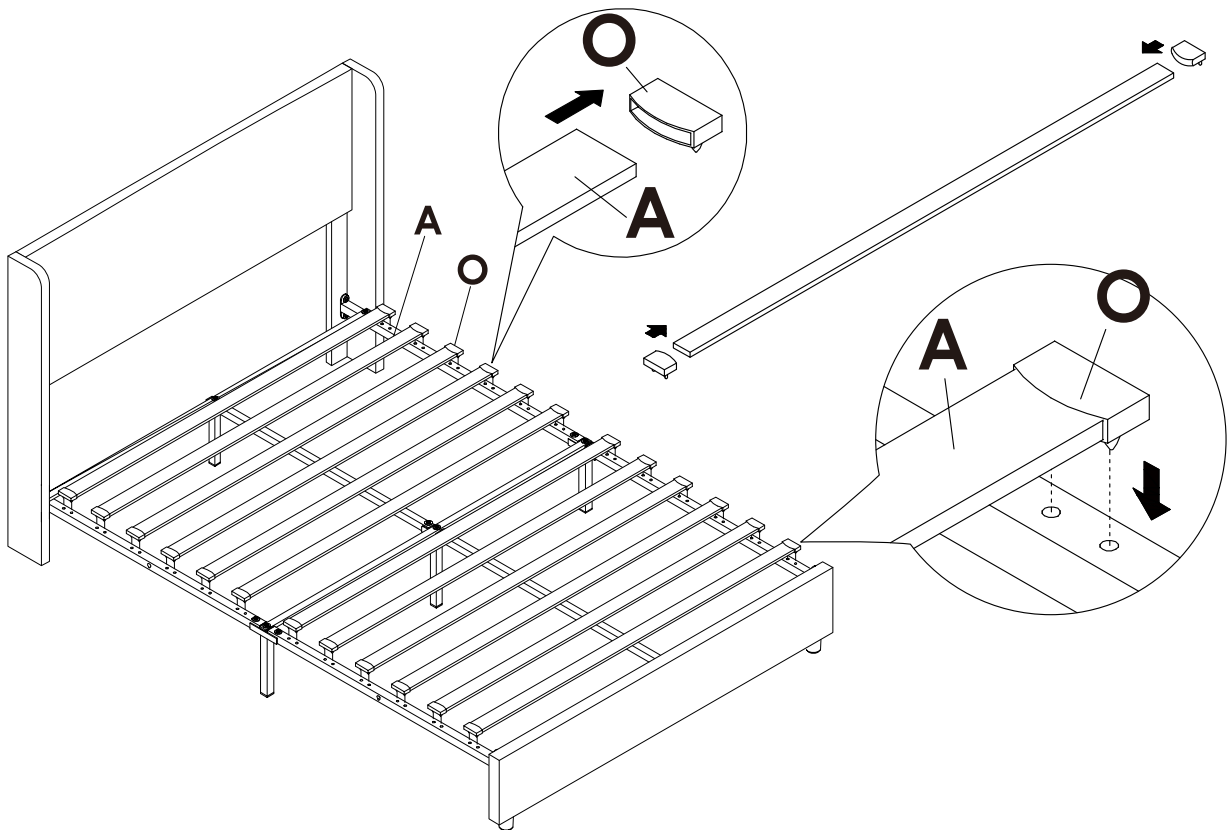
## STEP 16



	<b>N</b> x 3PCS
	<b>P</b> x 1PC

# Assembly Instruction of (Bed)

## STEP 17



O x 24PCS

## STEP 18

