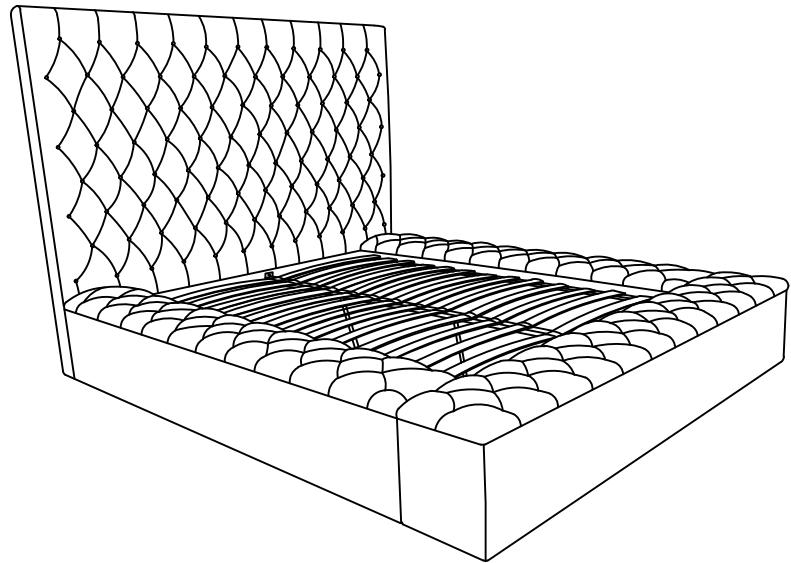
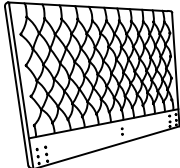
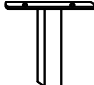
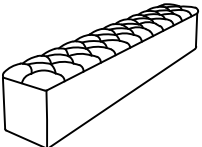
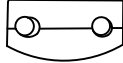
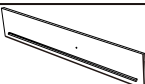
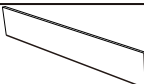
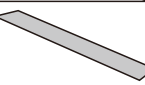

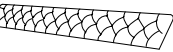
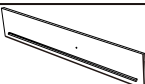
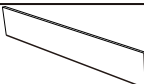
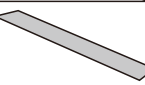

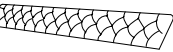
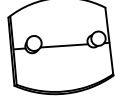
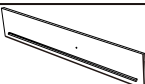
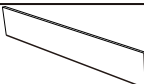
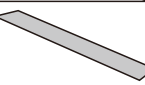

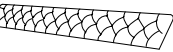
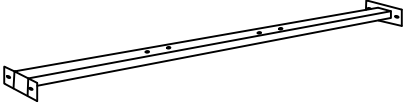










ASSEMBLY INSTRUCTION



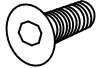

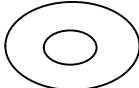

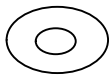


NO.:CP-230 Queen



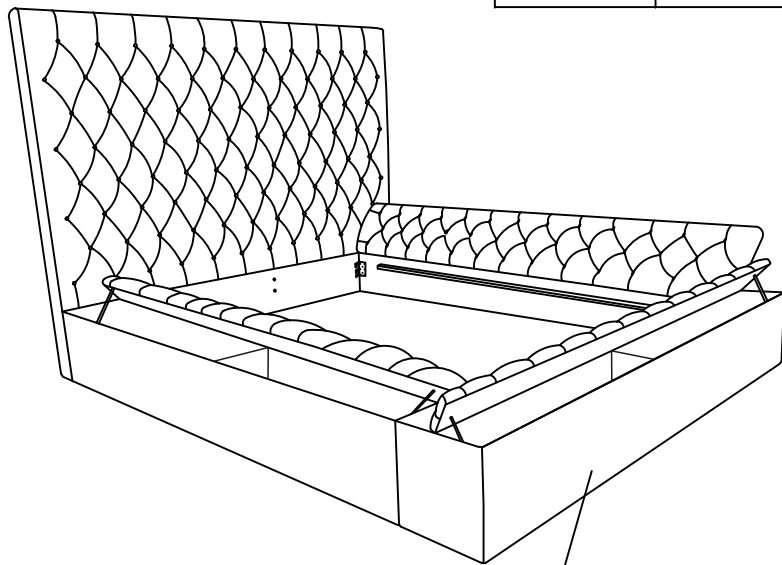
spare parts 1

<p>A</p>	 Headboard x1	<p>F</p>	 Metal Leg Support x2						
<p>B</p>	 Footboard x1	<p>G</p>	 Rails plastic slat x26						
<p>C</p>	<table border="1"> <tr> <td data-bbox="164 1354 439 1444"> <p>C1</p>  x2 </td> <td data-bbox="439 1354 711 1444"> <p>C2</p>  x2 </td> </tr> <tr> <td data-bbox="164 1444 439 1535"> <p>C3</p>  x2 </td> <td data-bbox="439 1444 711 1535"> <p>C4</p>  x2 </td> </tr> <tr> <td data-bbox="164 1535 439 1617"> <p>C5</p>  x2 </td> <td data-bbox="439 1535 711 1617"> <p>Side Rail</p> </td> </tr> </table>	<p>C1</p>  x2	<p>C2</p>  x2	<p>C3</p>  x2	<p>C4</p>  x2	<p>C5</p>  x2	<p>Side Rail</p>	<p>H</p>	 Center plastic slat x13
<p>C1</p>  x2	<p>C2</p>  x2								
<p>C3</p>  x2	<p>C4</p>  x2								
<p>C5</p>  x2	<p>Side Rail</p>								
<p>D</p>	 Center Support bar x1	<p>I</p>	 Connector x4						
<p>E</p>	 Slat x26	<p>J</p>	<table border="1"> <tr> <td data-bbox="875 1858 1149 2026">  Left x2 </td> <td data-bbox="1149 1858 1428 2026">  Right x2 </td> </tr> <tr> <td colspan="2" data-bbox="875 2026 1428 2100"> Hinges </td> </tr> </table>	 Left x2	 Right x2	Hinges			
 Left x2	 Right x2								
Hinges									

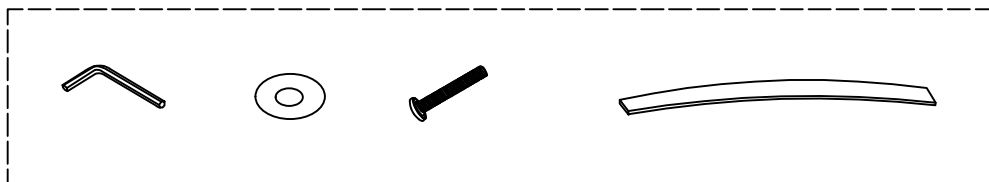
spare parts 2

a	 5/16*30mm x28	e	 M5 x1
b	 1/4*20mm x24	f	 M4 x1
c	 5/16 x32	g	 5/16*50mm x4
d	 1/4 x24	h	 ø5/16" x4
setp:1		i	 NUT x1

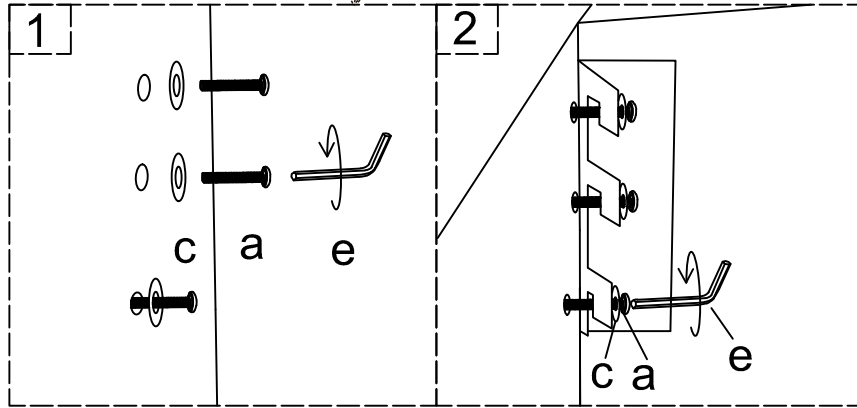
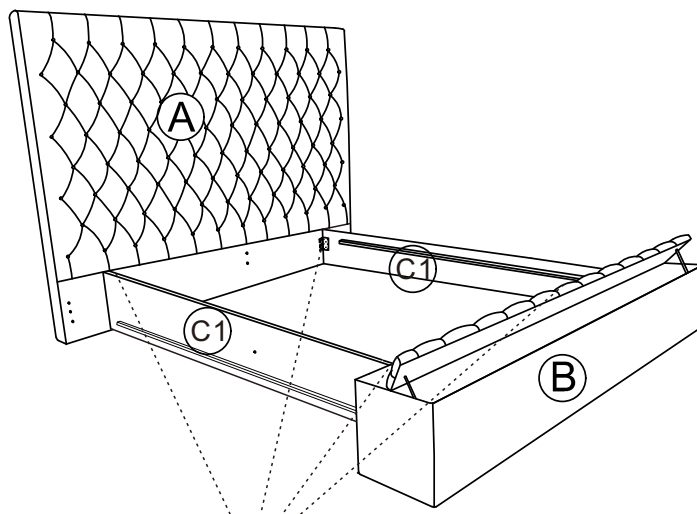
setp:1



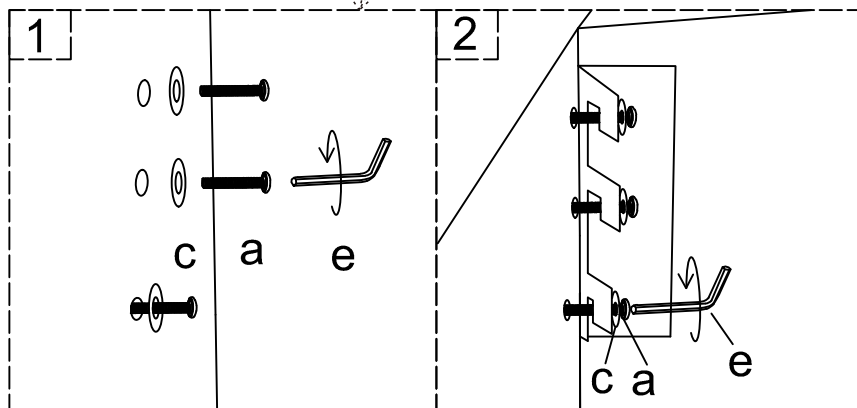
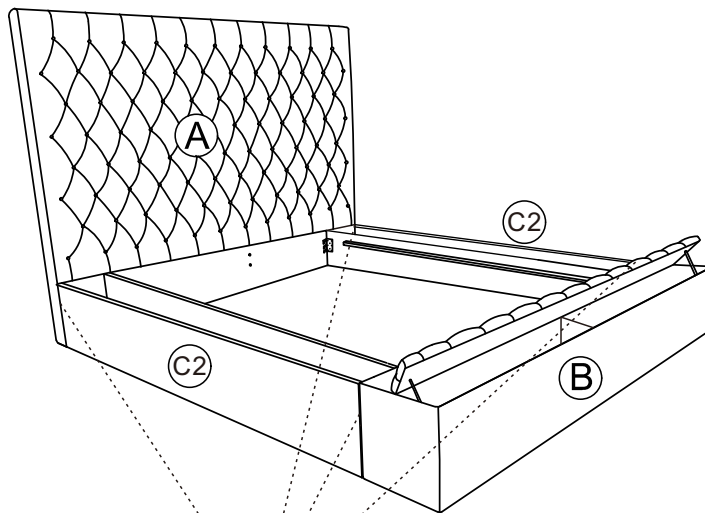
OPEN



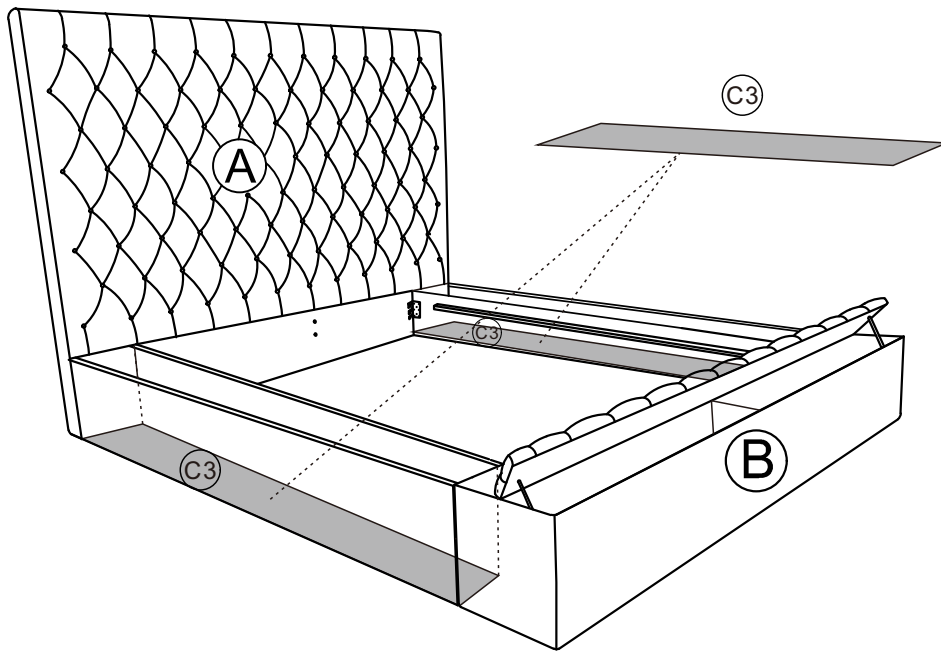
setp:2



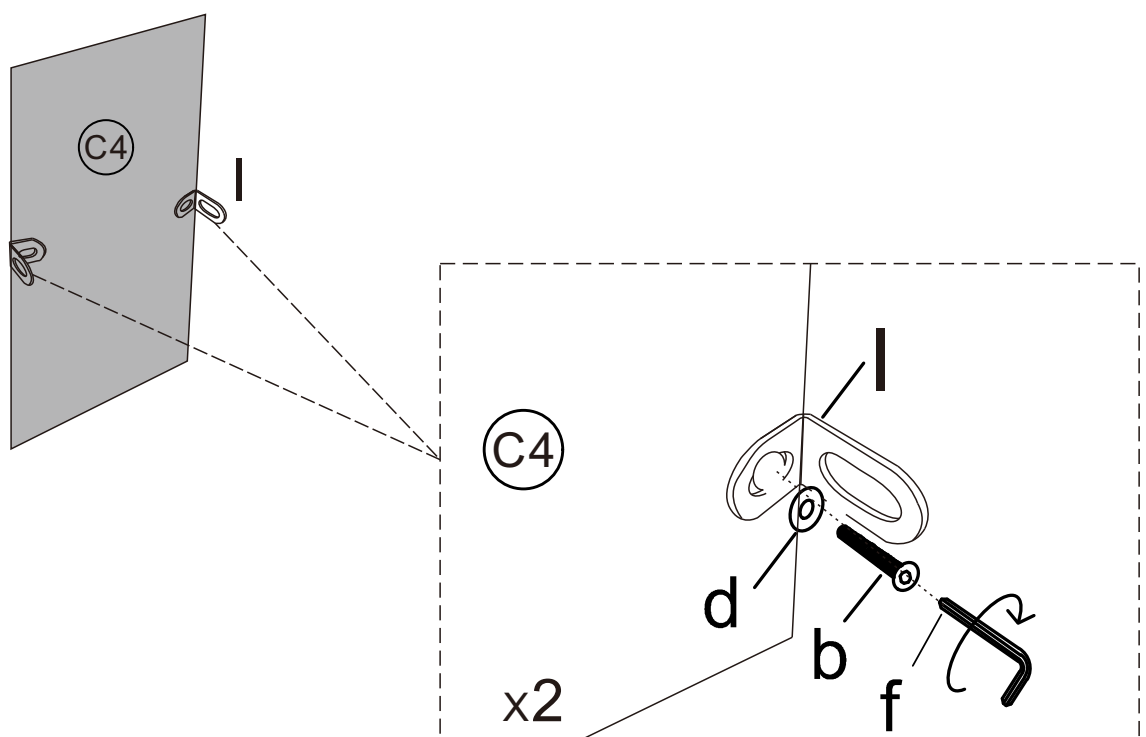
setp:3



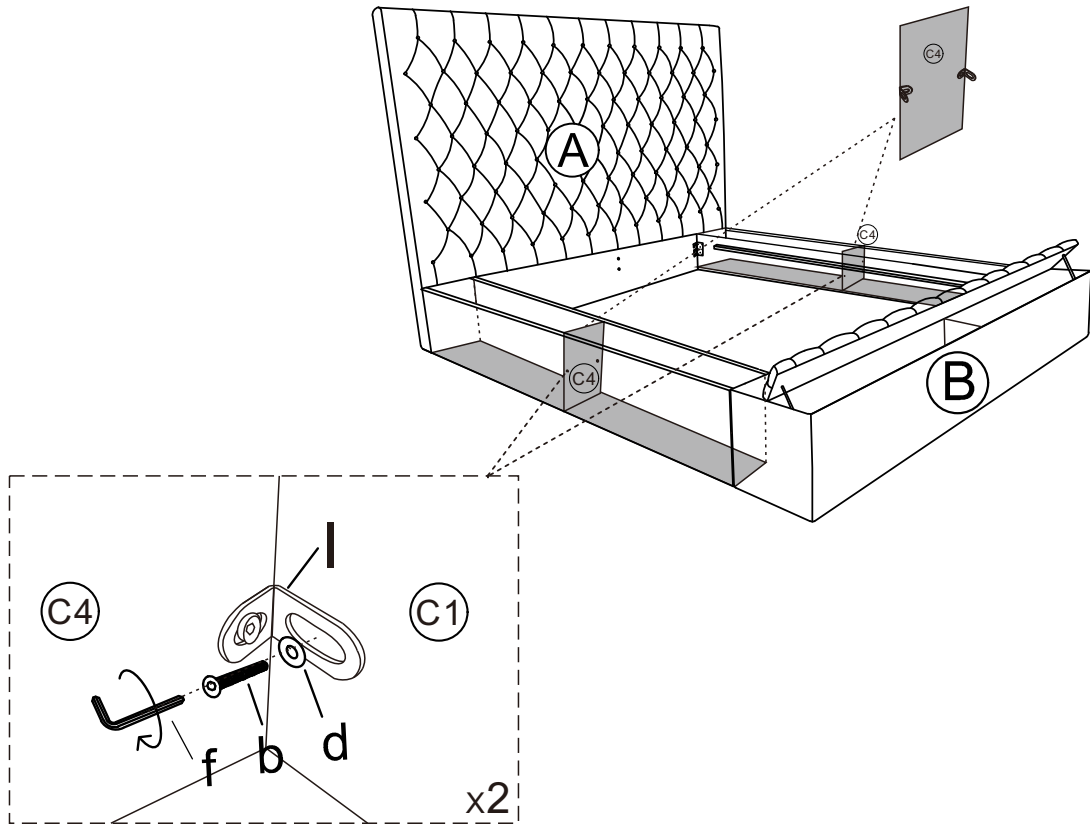
setp:4



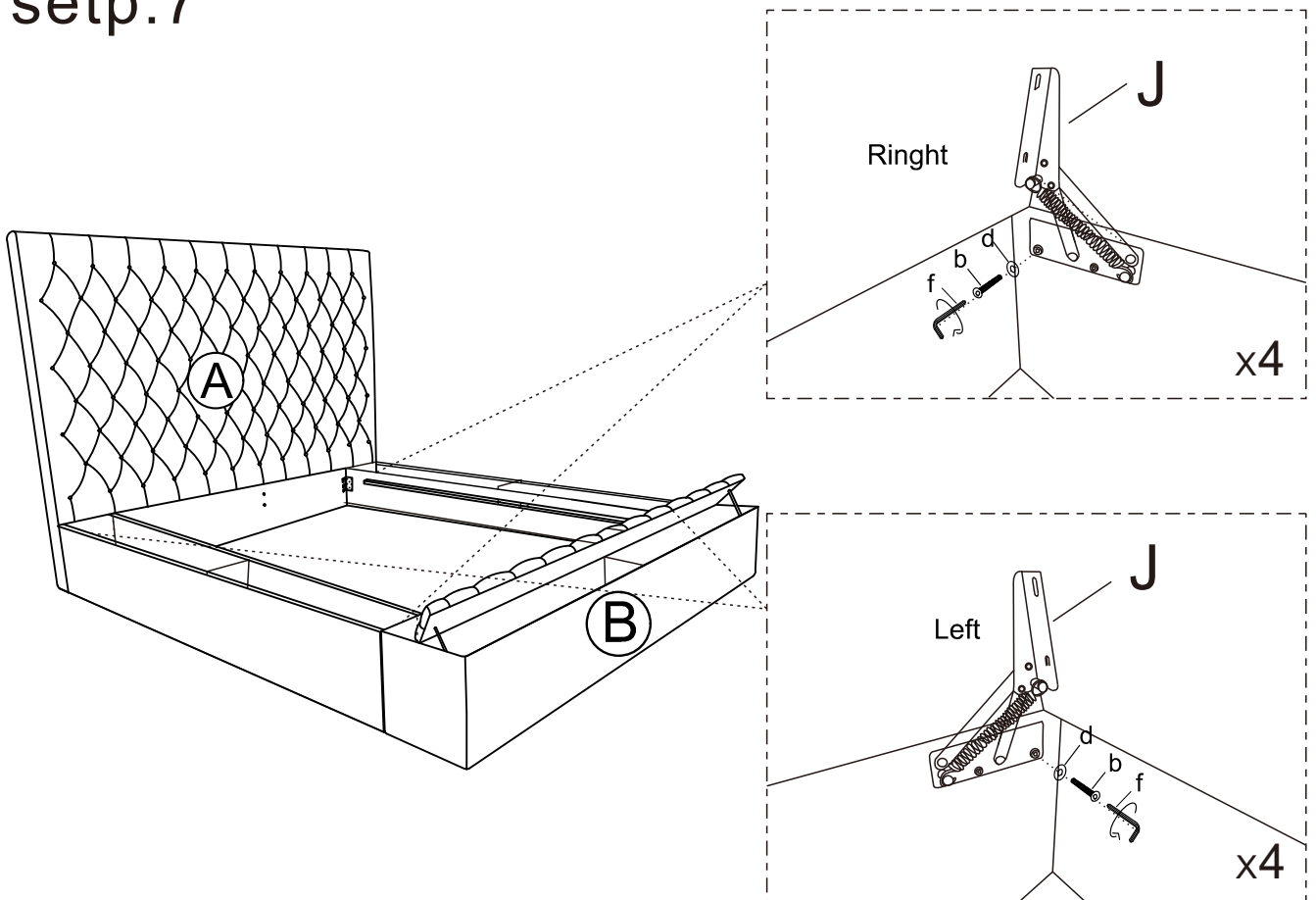
setp:5



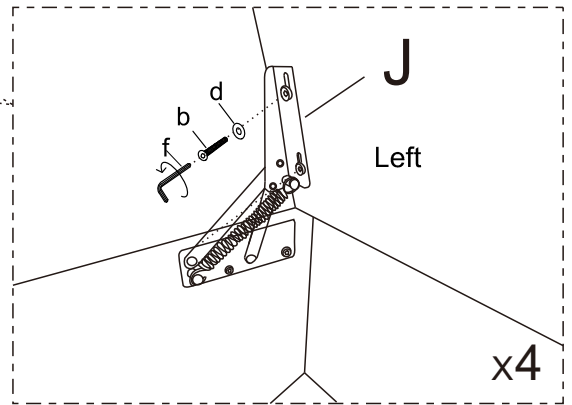
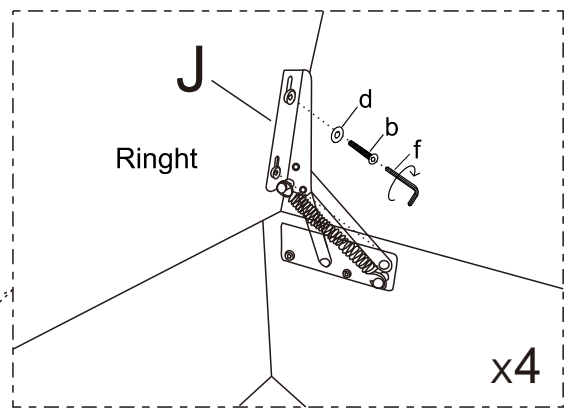
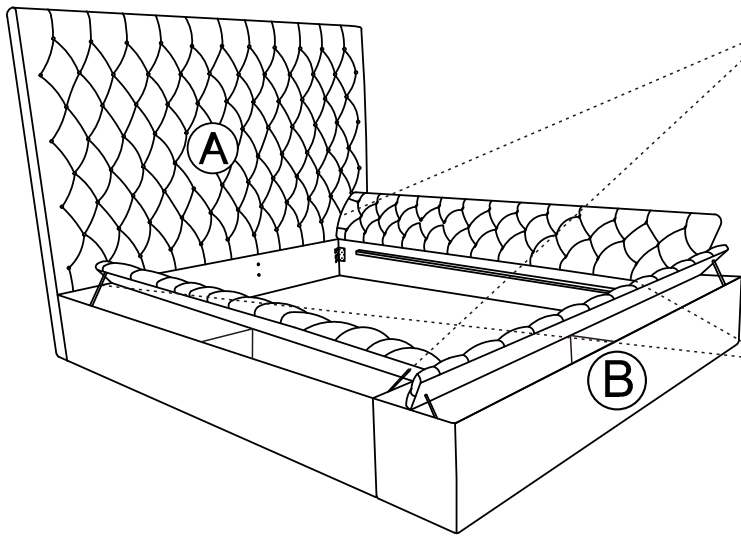
setp:6



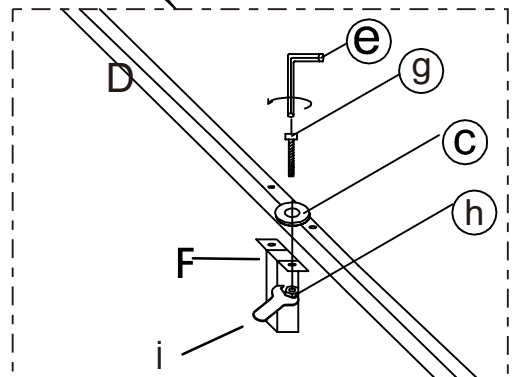
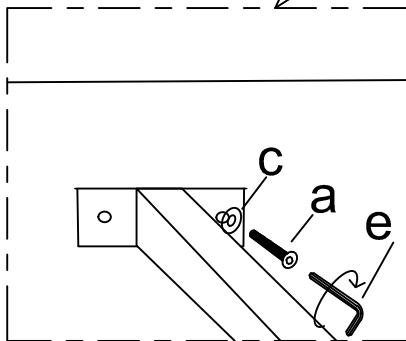
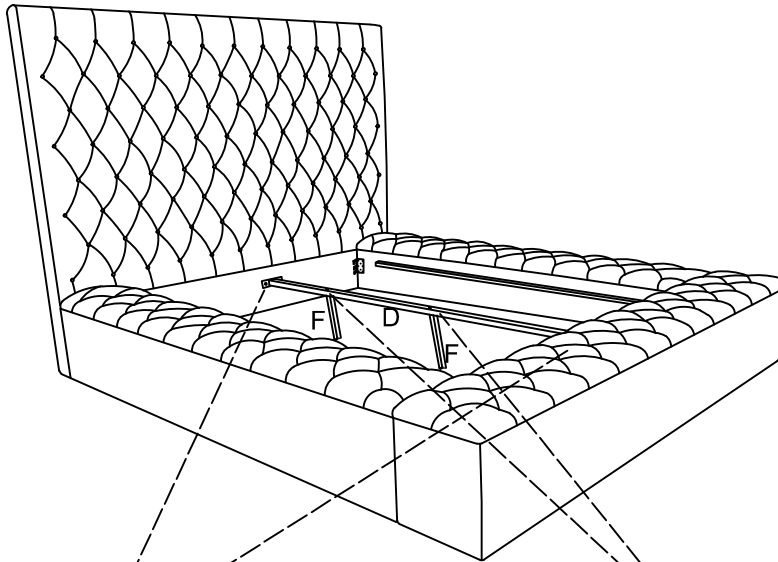
setp:7



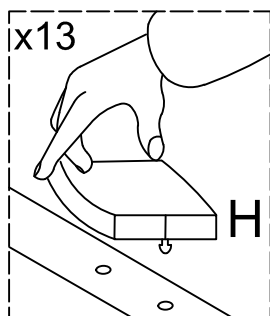
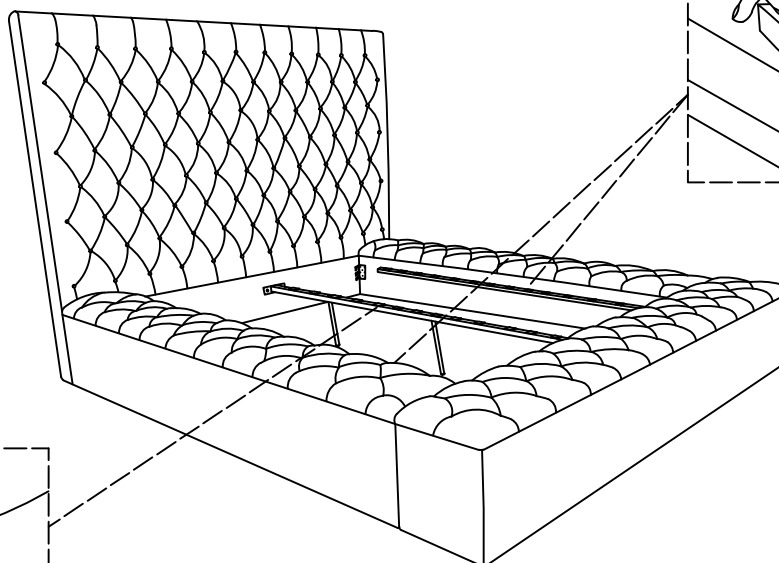
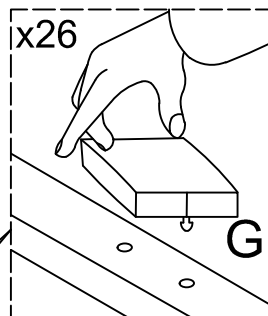
setp:8



setp:9



setp:10



setp:11

