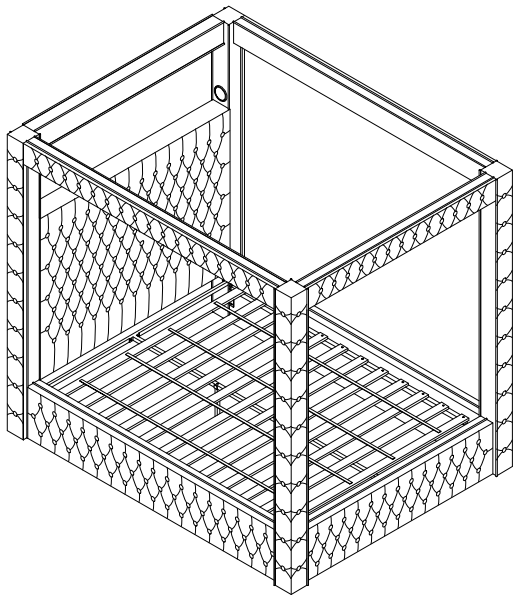


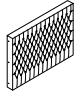

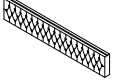
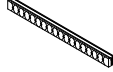
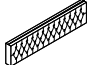




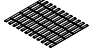

ASSEMBLY INSTRUCTION

ITEM NO.: FB197-Q
















Do not tighten bolts until completely assembled.

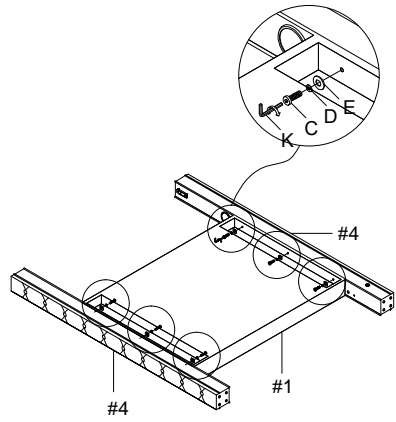
PARTS IDENTIFICATION

| NO. | Part | Sketch | Qty | NO. | Part | Sketch | Qty |
|-----|---|------------------|------|-----|---|-----------------|------|
| #1 |  | Headboard | 1pc | #7 |  | Back cross beam | 1pc |
| #2 |  | Sideboard | 2pcs | #8 |  | Side cross beam | 2pcs |
| #3 |  | Footboard | 1pc | #9 |  | Crossbar | 1pc |
| #4 |  | Head of bed post | 2pcs | #10 |  | Center bar | 1pc |
| #5 |  | Bed tail post | 2pcs | #11 |  | Slat | 1pc |
| #6 |  | Front cross beam | 1pc | | | | |

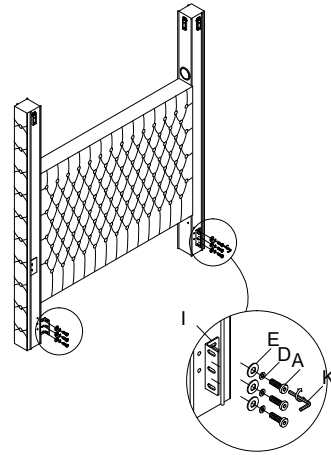
HARDWARE LIST

| NO. | Part | Sketch | Qty | NO. | Part | Sketch | Qty |
|-----|---|-----------------------|-------|-----|---|--------------------|------|
| A |  | Bolt 5/16 "x1" | 40pcs | H |  | Supporting Foot | 2pcs |
| B |  | Bolt 5/16 "x1-1/2" | 6pcs | I |  | Bedhead iron sheet | 2pcs |
| C |  | Bolt 5/16 "x2-1/2" | 6pcs | J |  | Bed end iron sheet | 2pcs |
| D |  | Spring Washer | 54pcs | K |  | Allen Wrench | 1pc |
| E |  | Flat Washer | 54pcs | L |  | The Plug | 1pc |
| F |  | Nut | 2pcs | M |  | Line of data | 1pc |
| G |  | Screw | 24pcs | | | | |

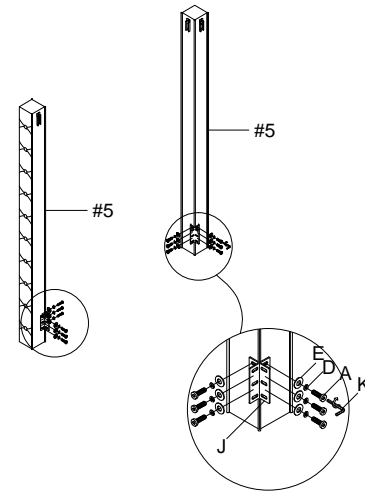
STEP 1



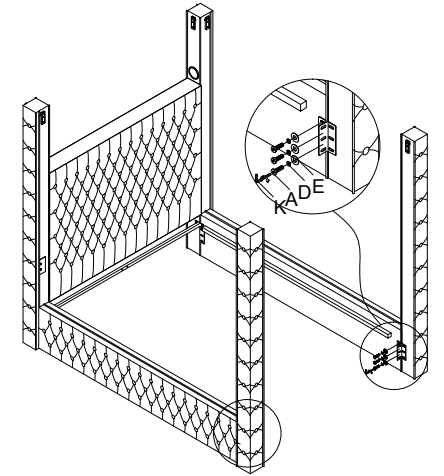
STEP 2



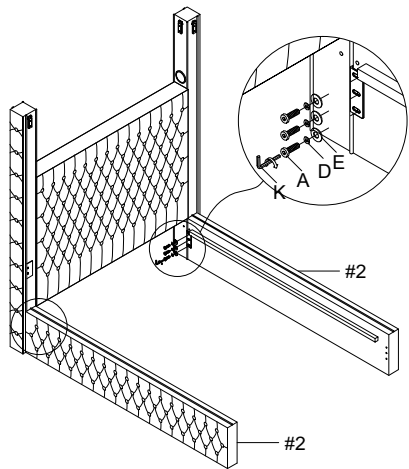
STEP 5



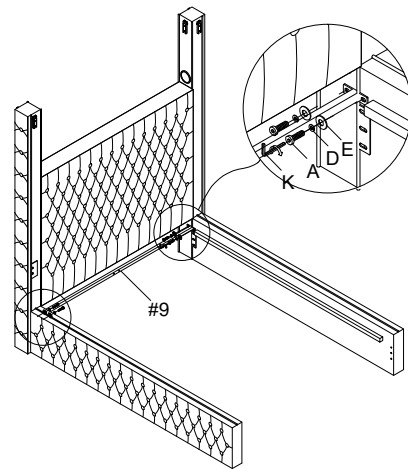
STEP 6



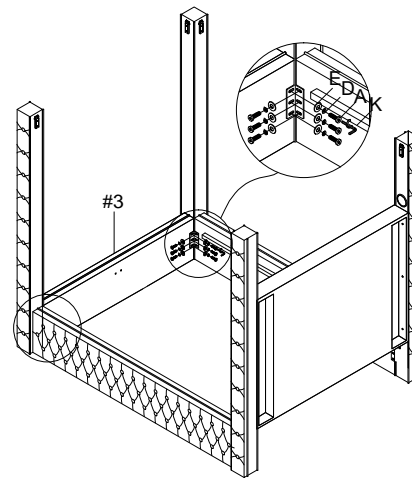
STEP 3



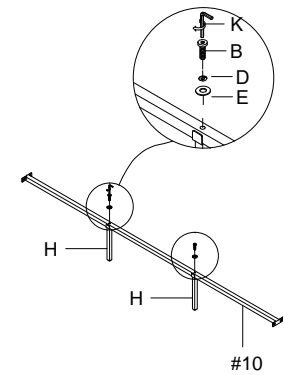
STEP 4



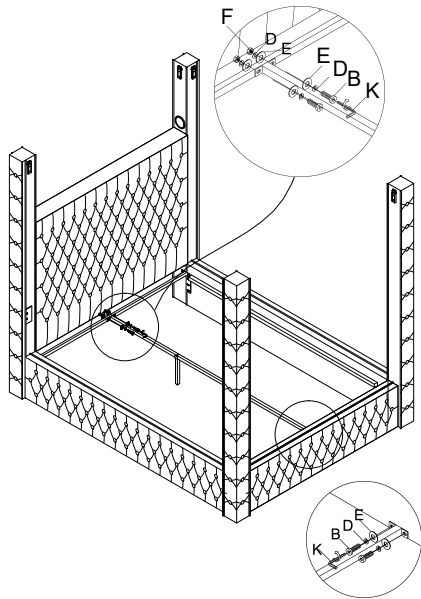
STEP 7



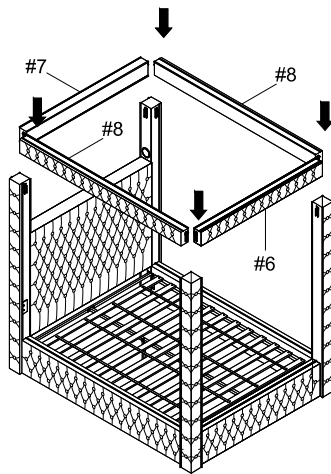
STEP 8



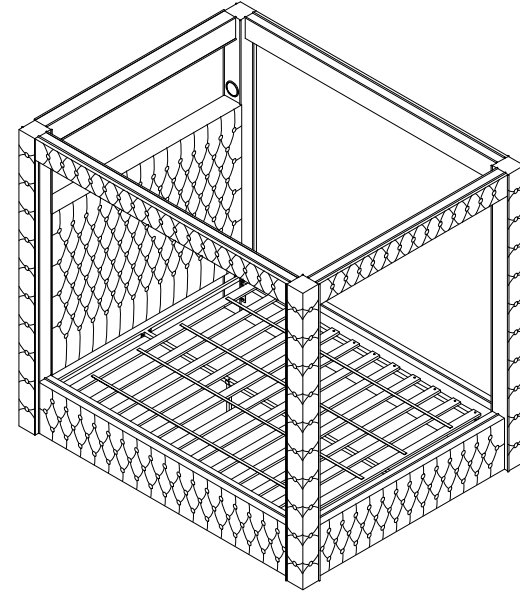
STEP 9



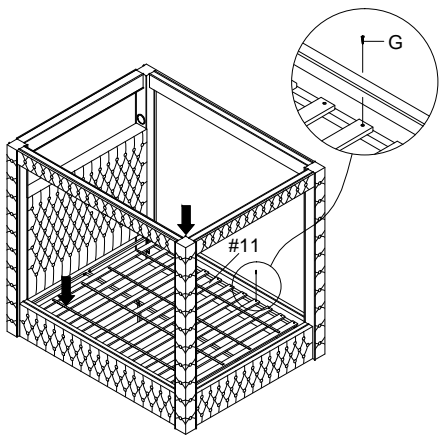
STEP 10



STEP 13



STEP 11



STEP 12

