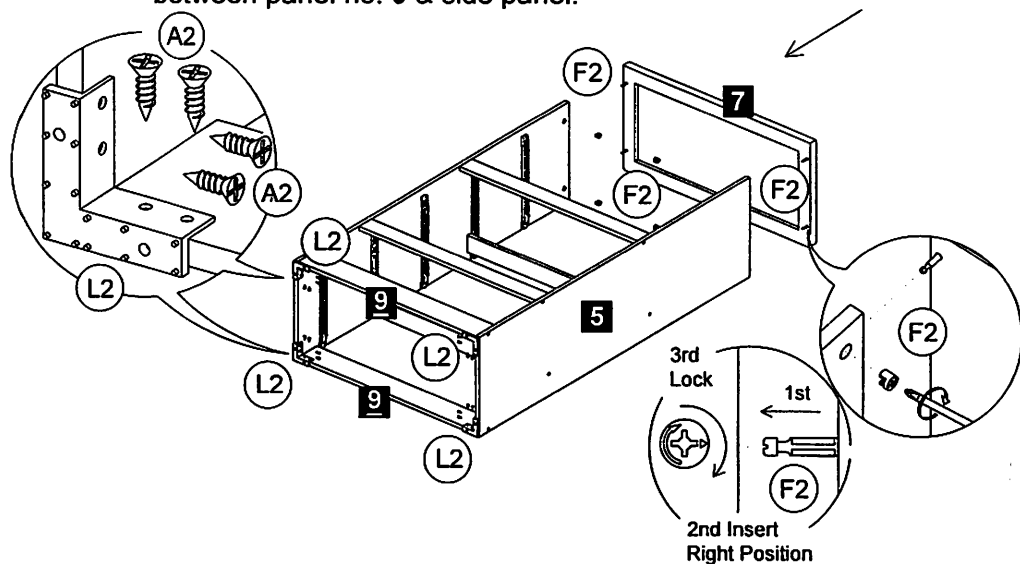
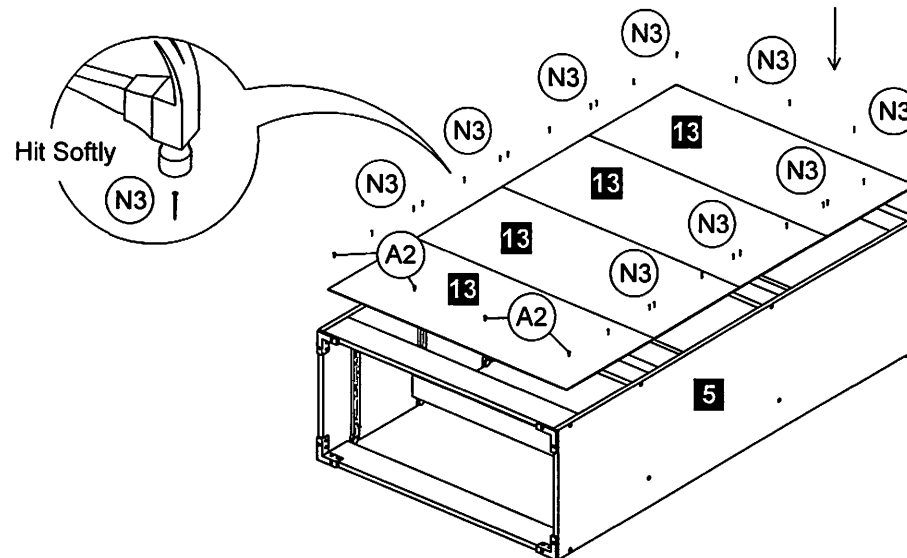


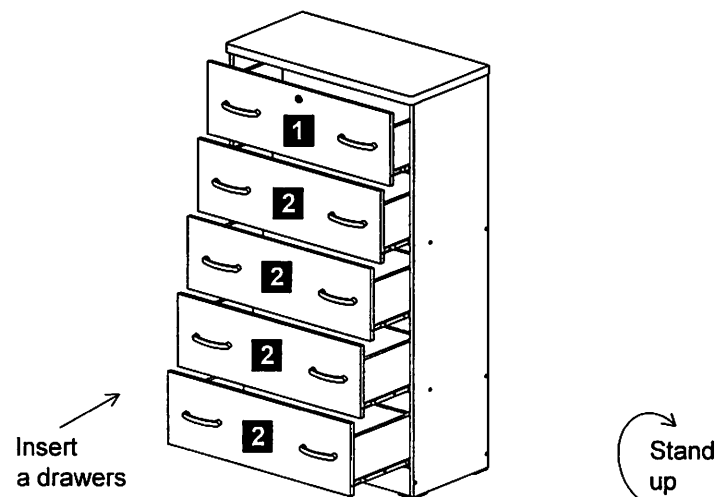
STEP 9 Attach the panel no. 7 in right position. Then use Mini Fix 15mm (F2) to secure the panel no. 7. Assemble the Plastic Leg L Shape (L2) at between panel no. 9 & side panel.



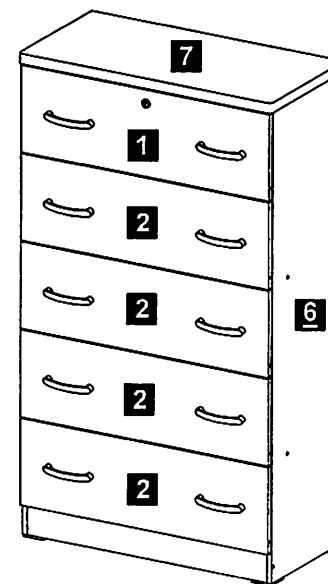
STEP 10 Assemble the back panel with secure by Nail (N3). Bottom panel no. 13 secure by Screw (A2).



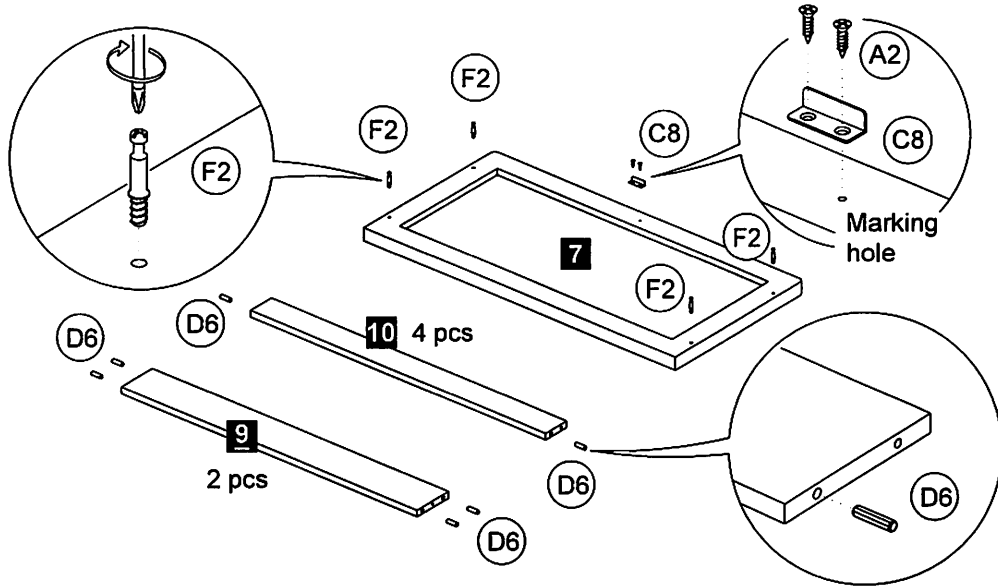
STEP 11 Insert those 5 drawers.



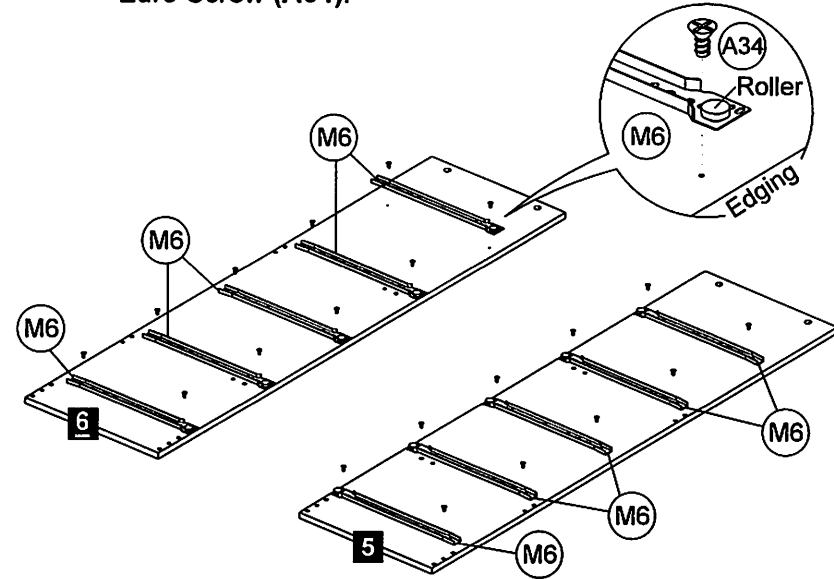
COMPLETE



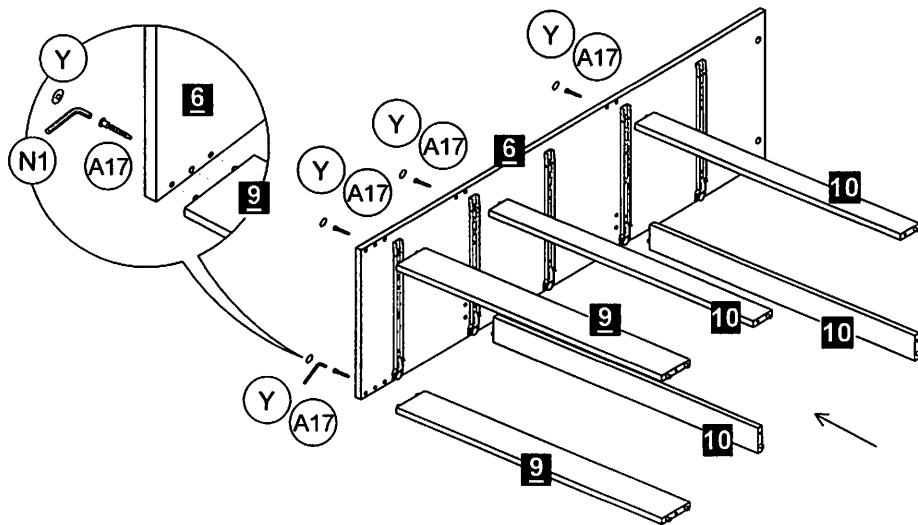
STEP 5 Attach the Mini Fix Bolt (F2) & Square Lock L Bracket (C8) at panel no. 7. Then insert a Wood Dowel (D6) at panel no. 9 & 10.



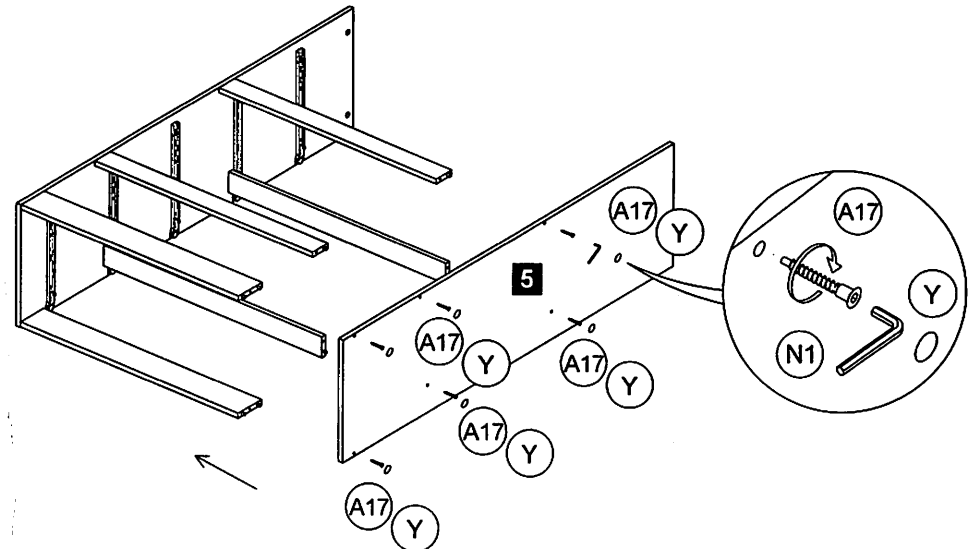
STEP 6 Assemble Drawer Metal Slide 350mm (M6) at panel no. 5 & 6 by using Euro Screw (A34).



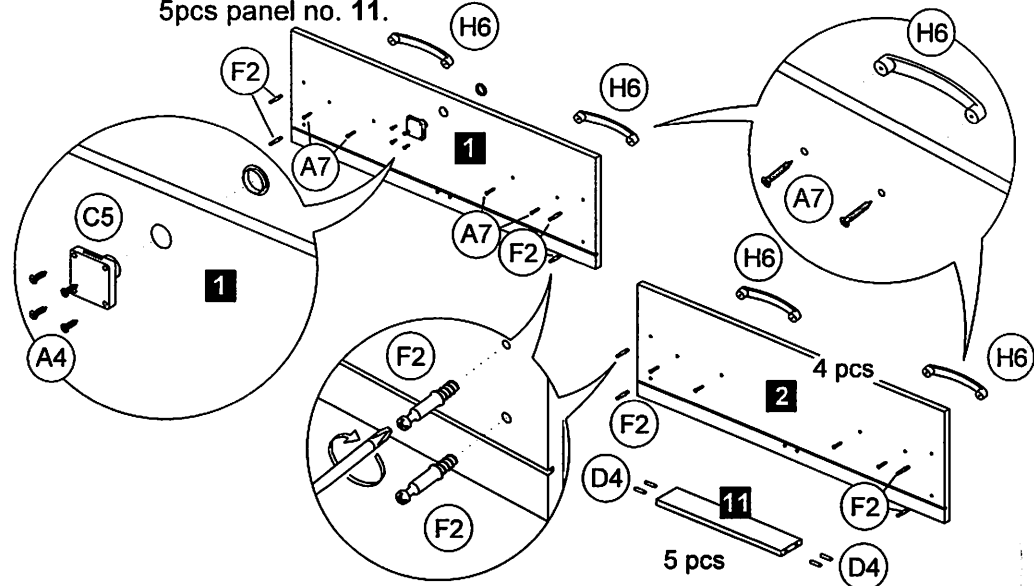
STEP 7 Use Allen Key (N1) to tighten the Crosshead Screw m6.3 x 40mm (A17) & button a screw head with Crosshead Cover (Y).



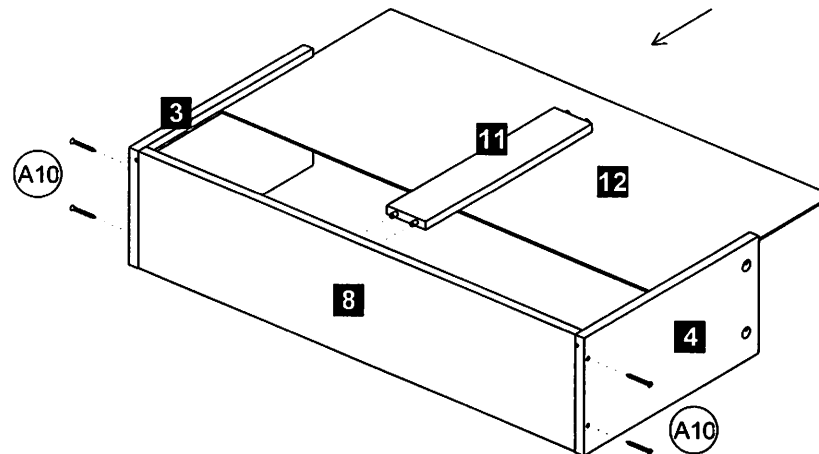
STEP 8 Use Allen Key (N1) to tighten the Crosshead Screw m6.3 x 40mm (A17) & button a screw head with Crosshead Cover (Y).



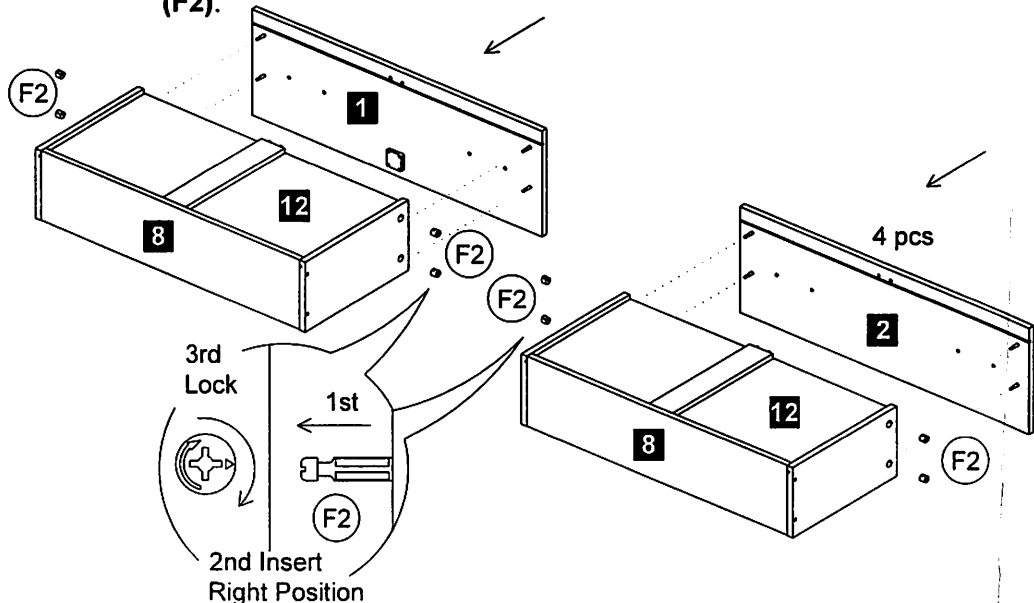
STEP 1 Fix a Mini Fix Bolt (F2) at panel no. 1 & 2. Use Screw (A7) to assemble the Handle (H6). Insert a Wood Dowel 6 x 25mm (D4) at 5pcs panel no. 11.



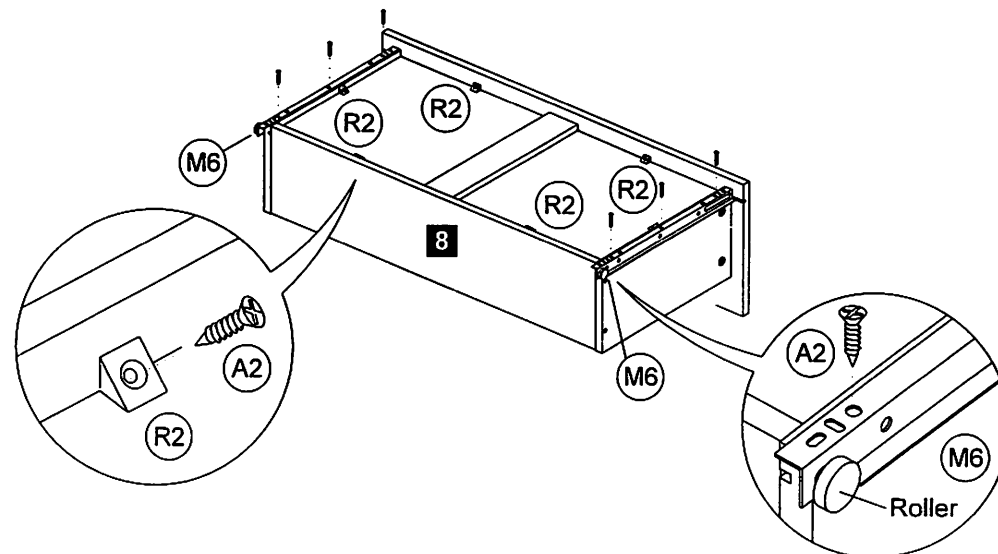
STEP 2 Assemble 5 sets of drawer in repeated at step 2.



STEP 3 Assemble 5 sets drawer head panel no. 1 & 2 by using Mini Fix 15mm (F2).

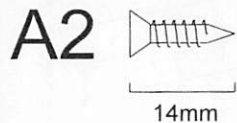


STEP 4 Use Screw (A2) to assemble the Drawer Metal Slide 350mm (M6) & Single Plastic Cap (R2). Assemble 5 sets of drawer in repeated at step 4.

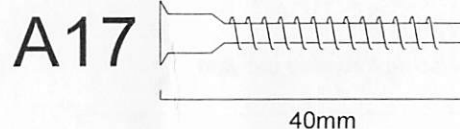
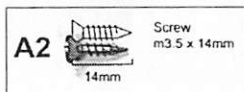


Reference Screw Size.

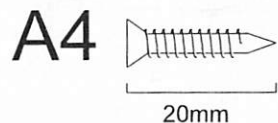
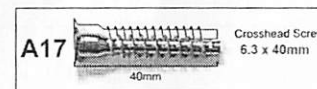
Place your screw on top to identify the size



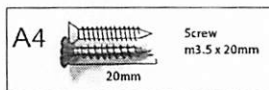
Screw
m3.5 x 14mm



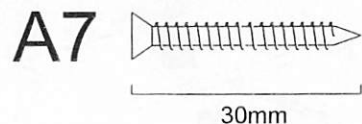
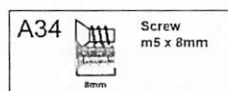
Crosshead Screw
6.3 x 40mm



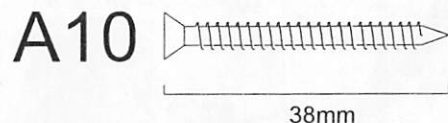
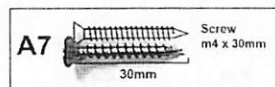
Screw
m3.5 x 20mm



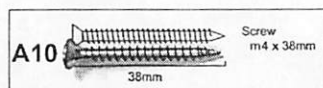
Euro Screw
m5 x 8mm



Screw
m4 x 30mm



Screw
m4 x 38mm

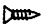



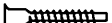



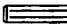


Before you begin, please follow assembly instruction carefully, then follow step by step.

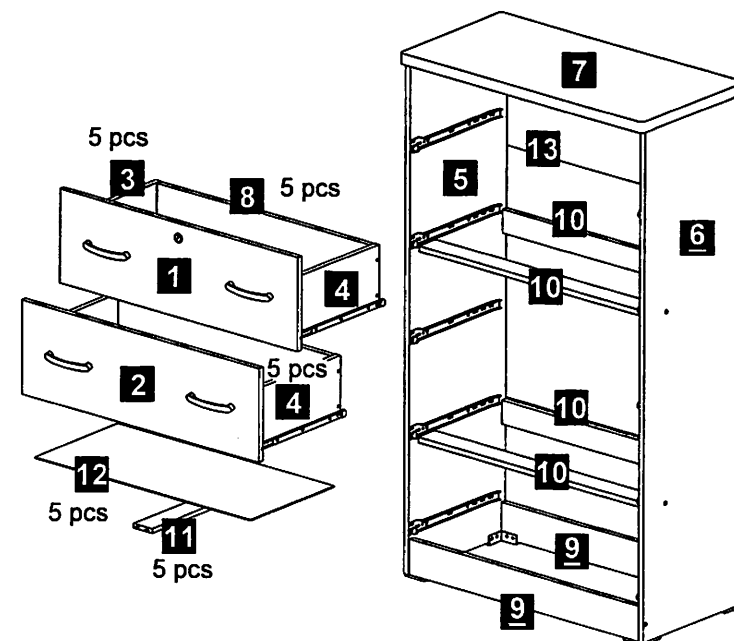
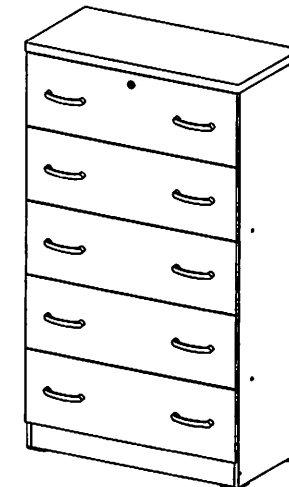
Read instruction carefully. See furniture Parts List and Hardware List for guidance. Be sure you have all parts before you start assembling. Place and assemble furniture on a clean flat soft surface, such as carpet, rug or carton to prevent being scratched.

Reminder :

Please ensure that all surface and edges with colours / laminations are facing forward / outward.

HARDWARE LIST			QTY
A2		Screw m3.5 x 14mm	82
A4		Screw m3.5 x 20mm	4
A7		Screw m4 x 30mm	20
A10		Screw m4 x 38mm	20
A17		Crosshead Screw m6.3 x 40mm	12
A34		Euro Screw m5 x 8mm	20
C5		Square Lock Set	1 Set
C8		Square Lock L Bracket	1
D4		Wood Dowel 6 x 25mm	20

D6		Wood Dowel 8 x 25mm	16
F2		Mini Fix 15mm	24
H6		Handle 128mm (Silver)	10
L2		Plastic Leg L Shape	4
M6		Drawer Metal Slide 350mm	5 sets
N1		Allen Key	1
R2		Single Plastic Cap	30
N3		Nail	25 (+-3)
Y		Crosshead Cover	12



Each pack have contain different type hardware and size of screw for easy assemble. Please refer to page 2, check a screw size.

CAUTION

MATERIAL USE LAMINATED PARTICLE BOARD, TO CLEAN USE SOFT, DRY CLOTH. DO NOT USE DETERGENT OR CHEMICAL AVOID CONTACT WITH WATER AND DIRECT SUNLIGHT. TO BE ASSEMBLED ON A SOFT, DRY, CLEAN SMOOTH SURFACE.



USE OF POWER TOOLS TO ASSEMBLE THIS PRODUCT WILL INVALIDATE ANY CLAIM AND MAY DAMAGE THIS PRODUCT MAKING IT UNSAFE.