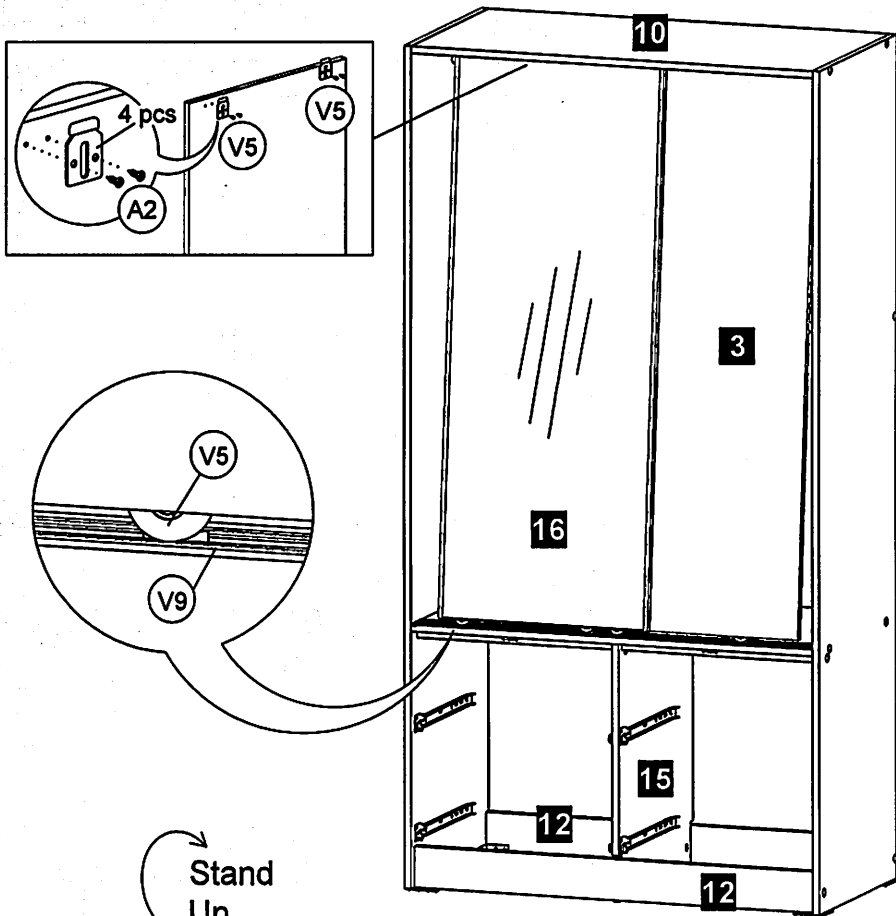




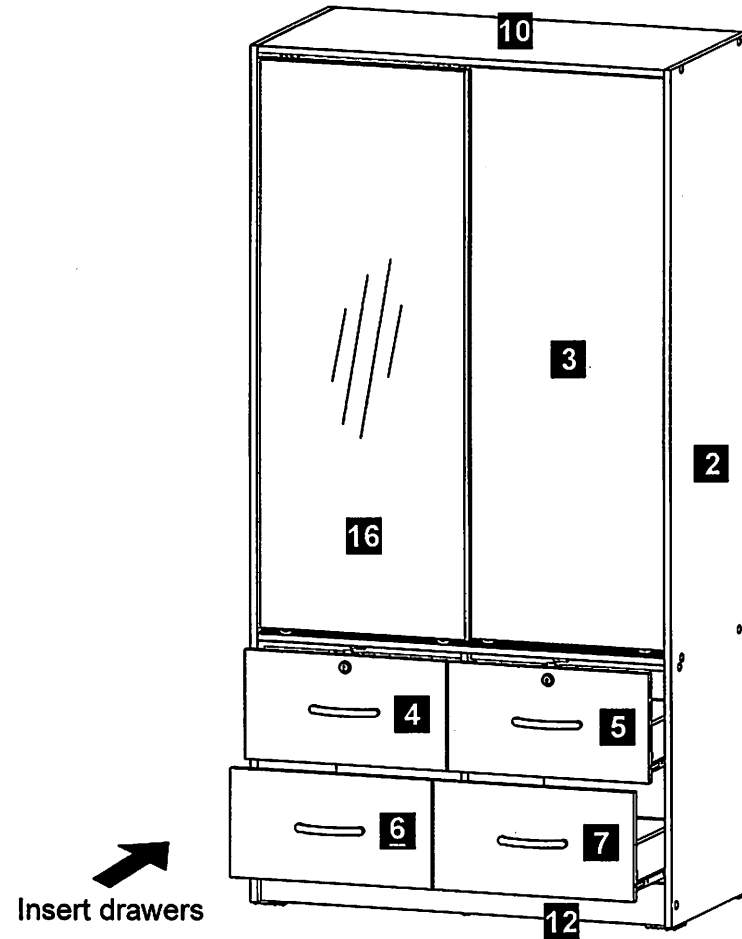
# STEP 13



Front View

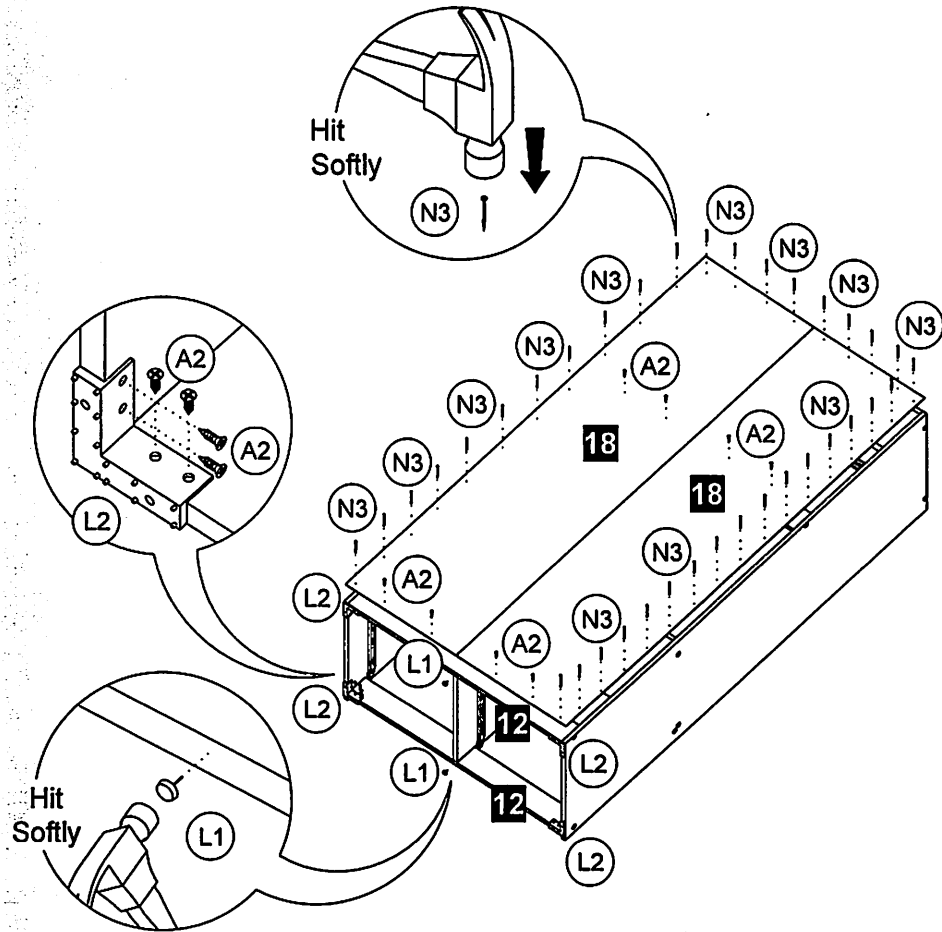
A2		Screw m3.5 x 14mm	8 pcs
V5		Sliding Roller (1door 2sets)	2 sets


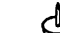
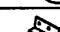

# STEP 14



Insert drawers

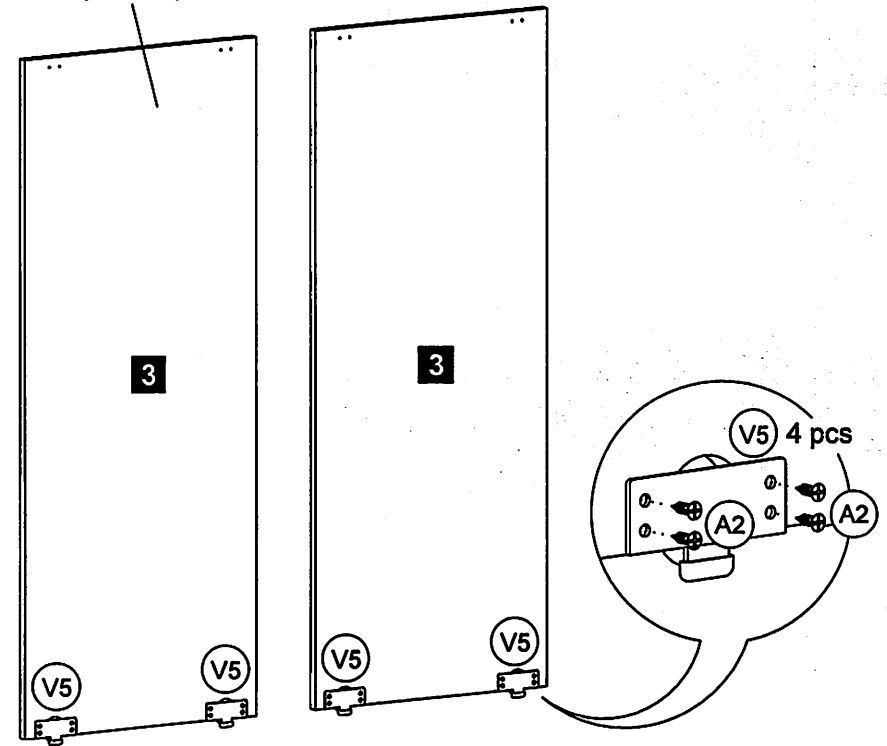
# STEP 11




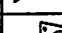
A2		Screw m3.5 x 14mm	24 pcs
L1		Leg Pin	2 pcs
L2		Plastic Leg L Shape	4 pcs
N3		Nail	70 (+-3) pcs

# STEP 12

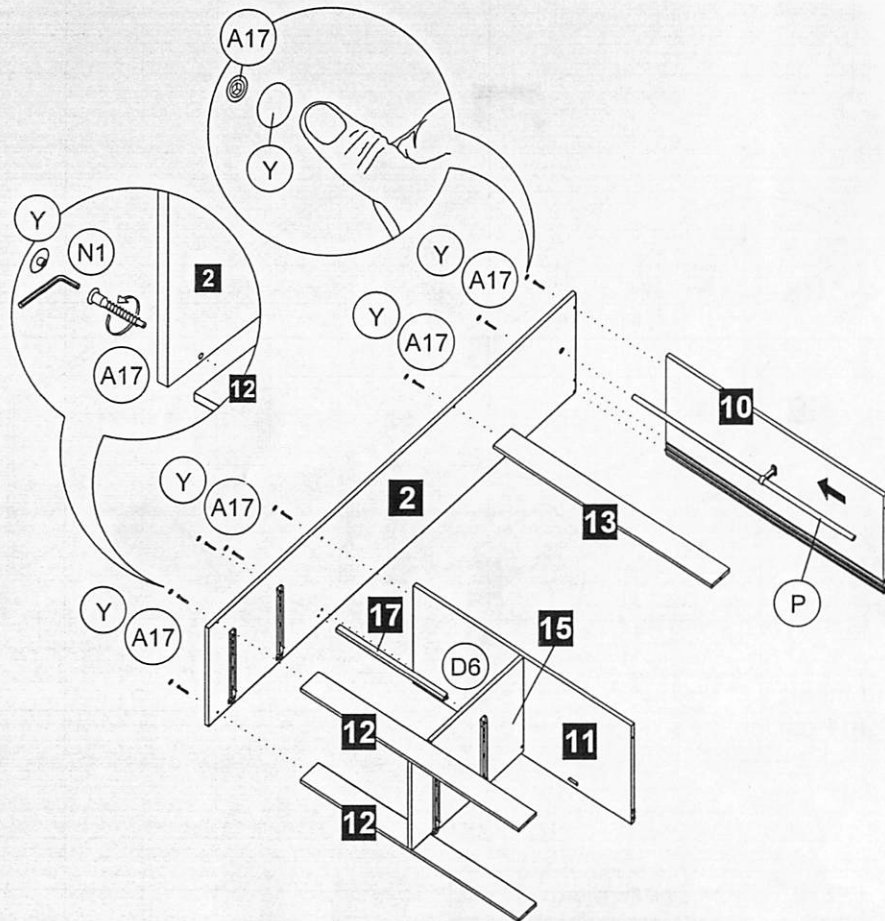
Handle With Care (Mirror)

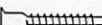





Back View

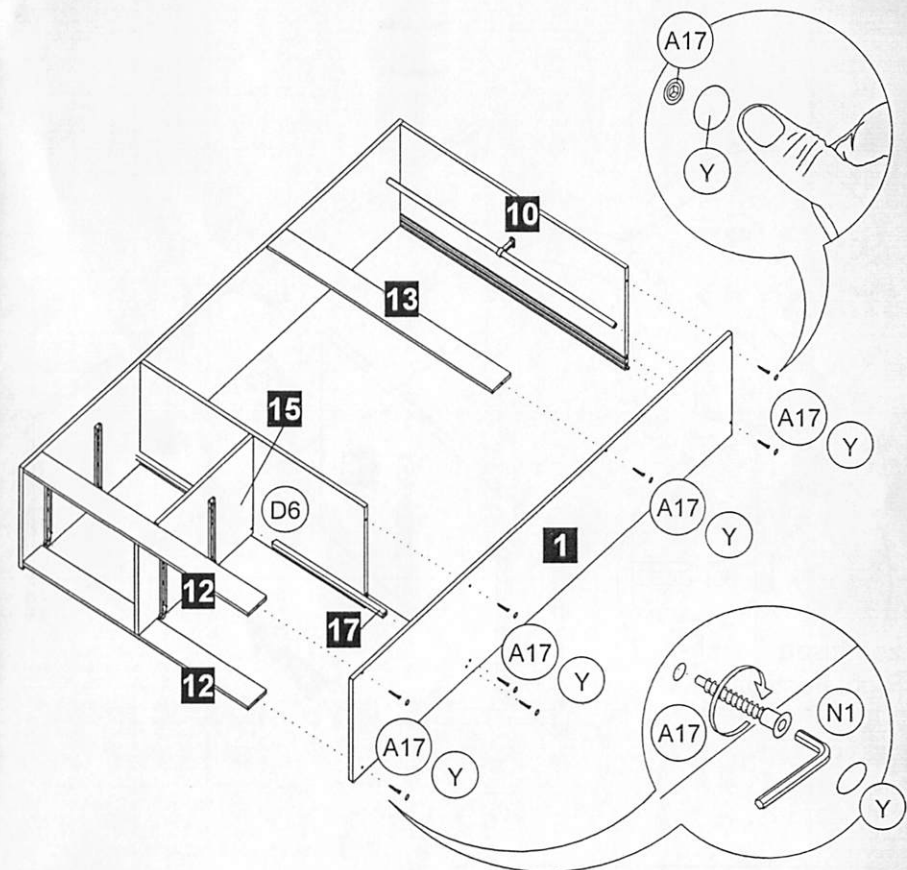
A2		Screw m3.5 x 14mm	16 pcs
V5		Sliding Roller (1door 2sets)	4 pcs




## STEP 9



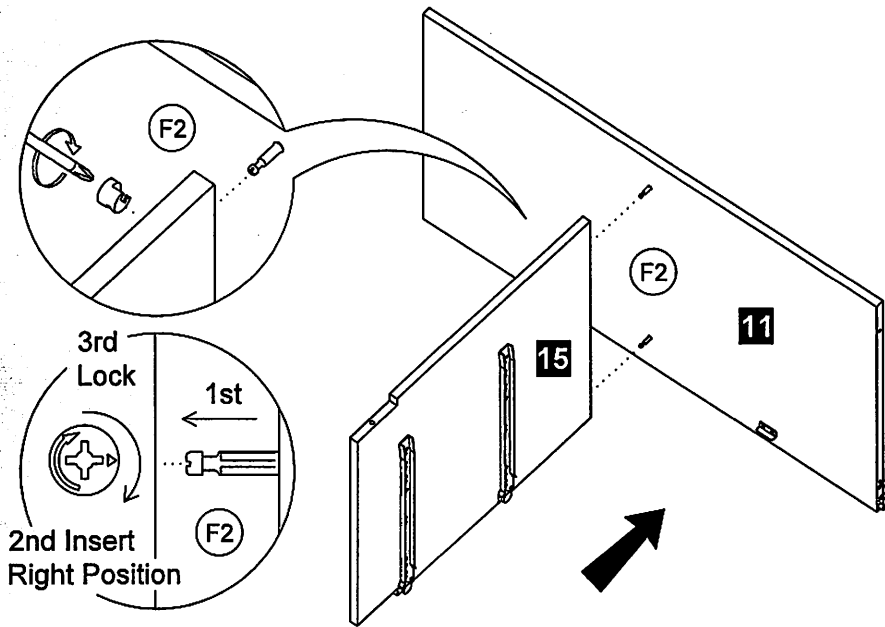
A17		Crosshead Screw m6.3 x 40mm	8 pcs
N1		Allen Key	1 pc
P		Hanging Steel Pipe 18mm x 907mm	1 pc
Y		Crosshead Cover	8 pcs

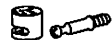
## STEP 10



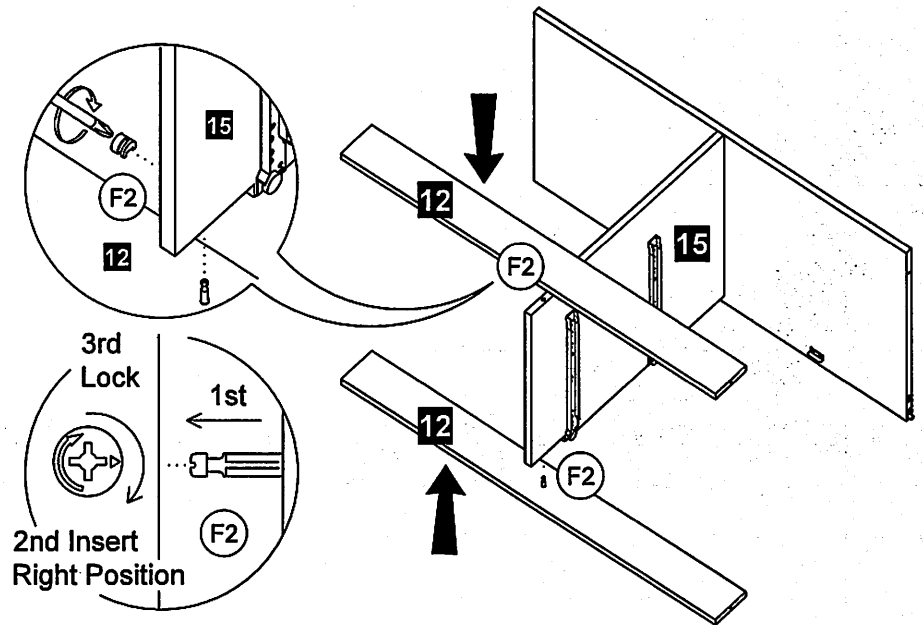
A17		Crosshead Screw m6.3 x 40mm	8 pcs
N1		Allen Key	1 pc
Y		Crosshead Cover	8 pcs

# STEP 7



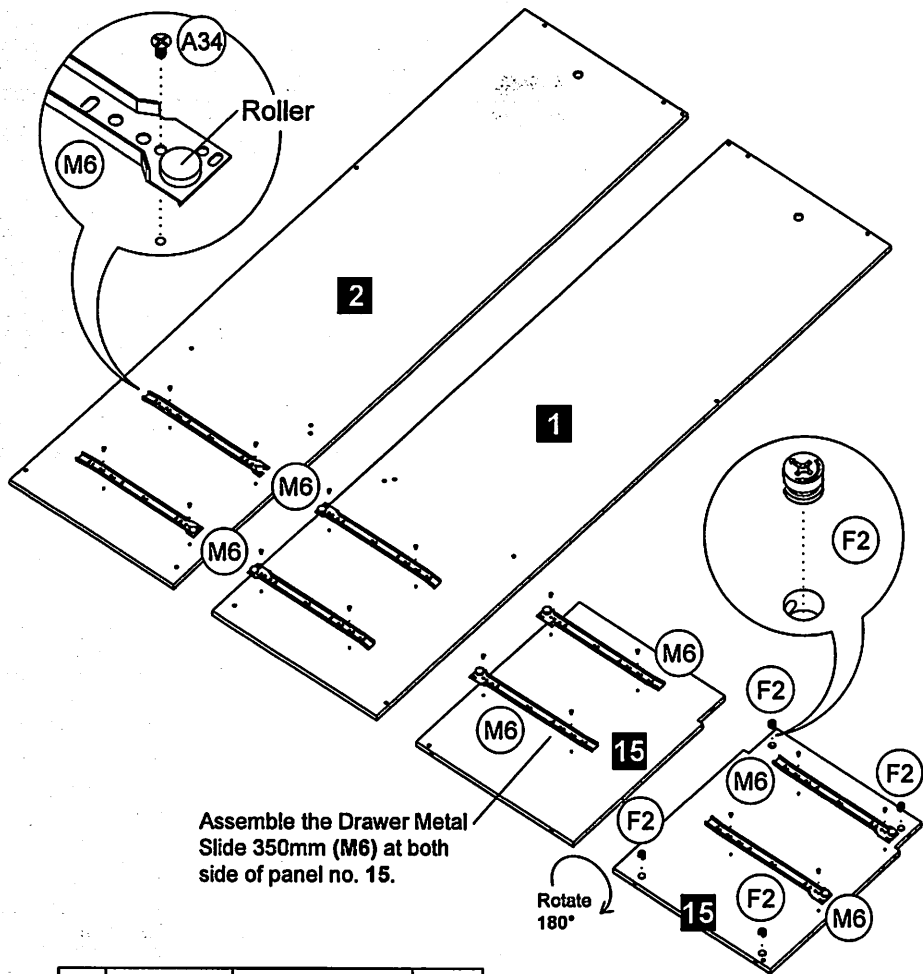
F2		Mini Fix 15mm	2 sets
----	---	---------------	--------

# STEP 8



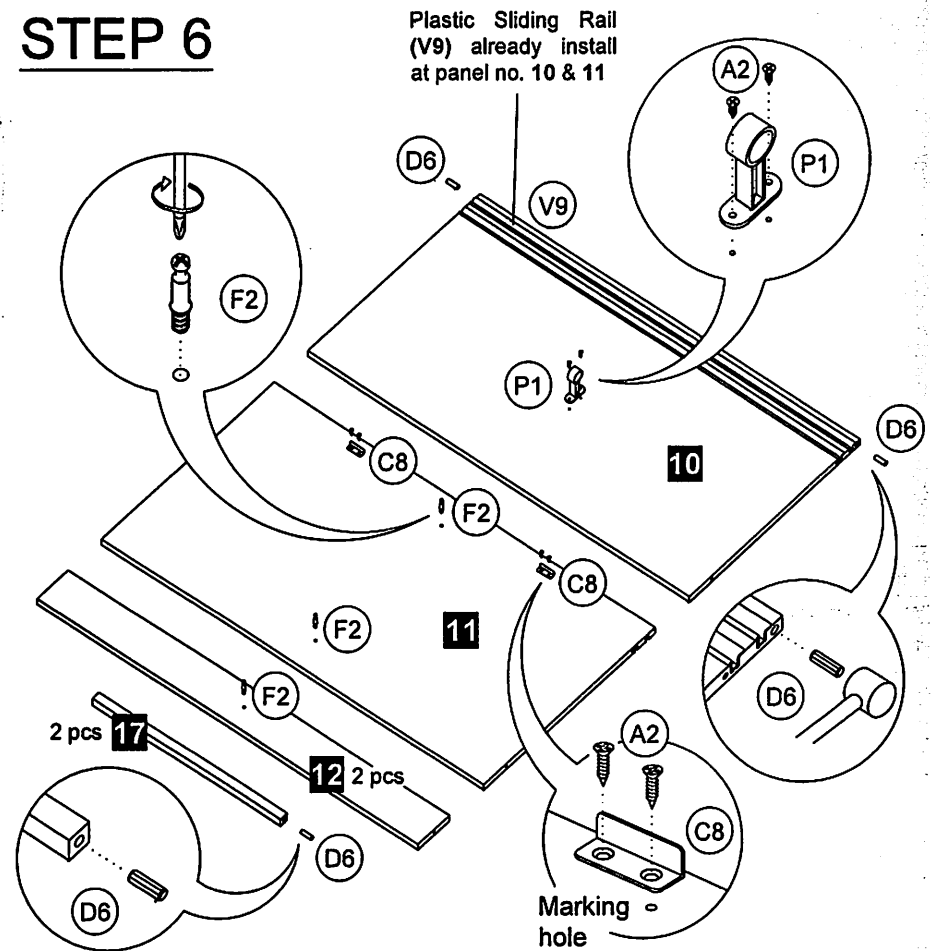
F2		Mini Fix 15mm	2 sets
----	---	---------------	--------

# STEP 5



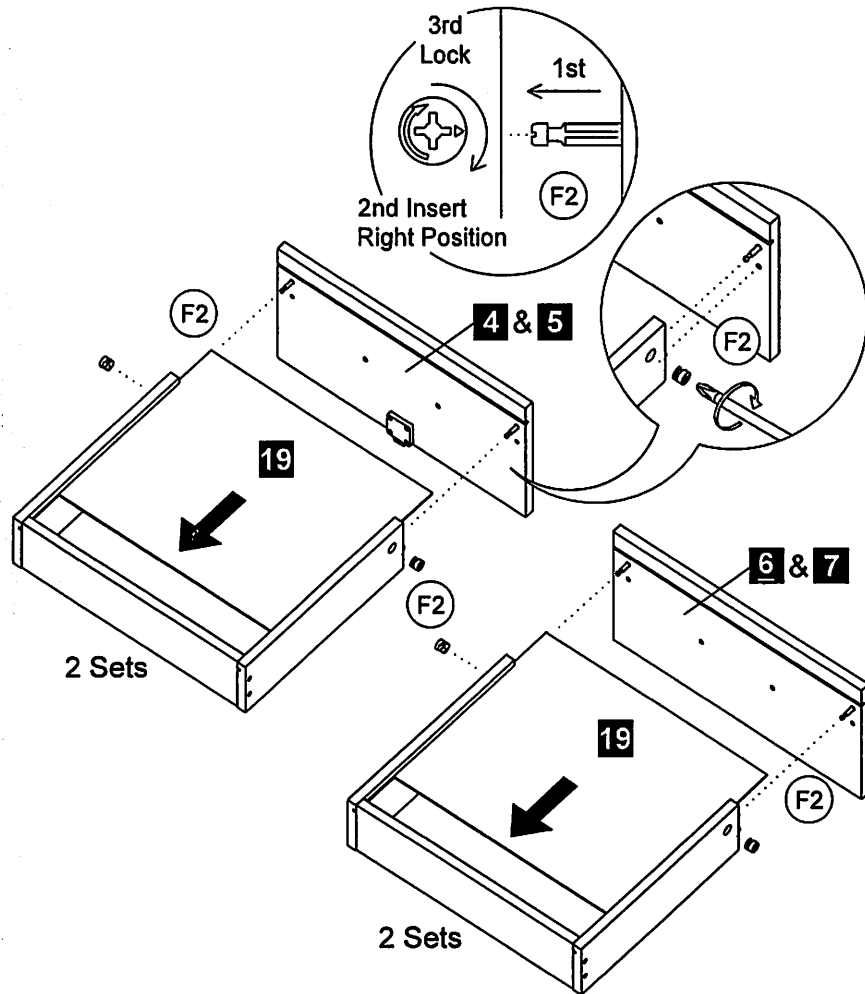
A34		Euro Screw	16 pcs
F2		Mini Fix Bolt	4 pcs
M6		Drawer Metal Slide 350mm	4 sets

# STEP 6



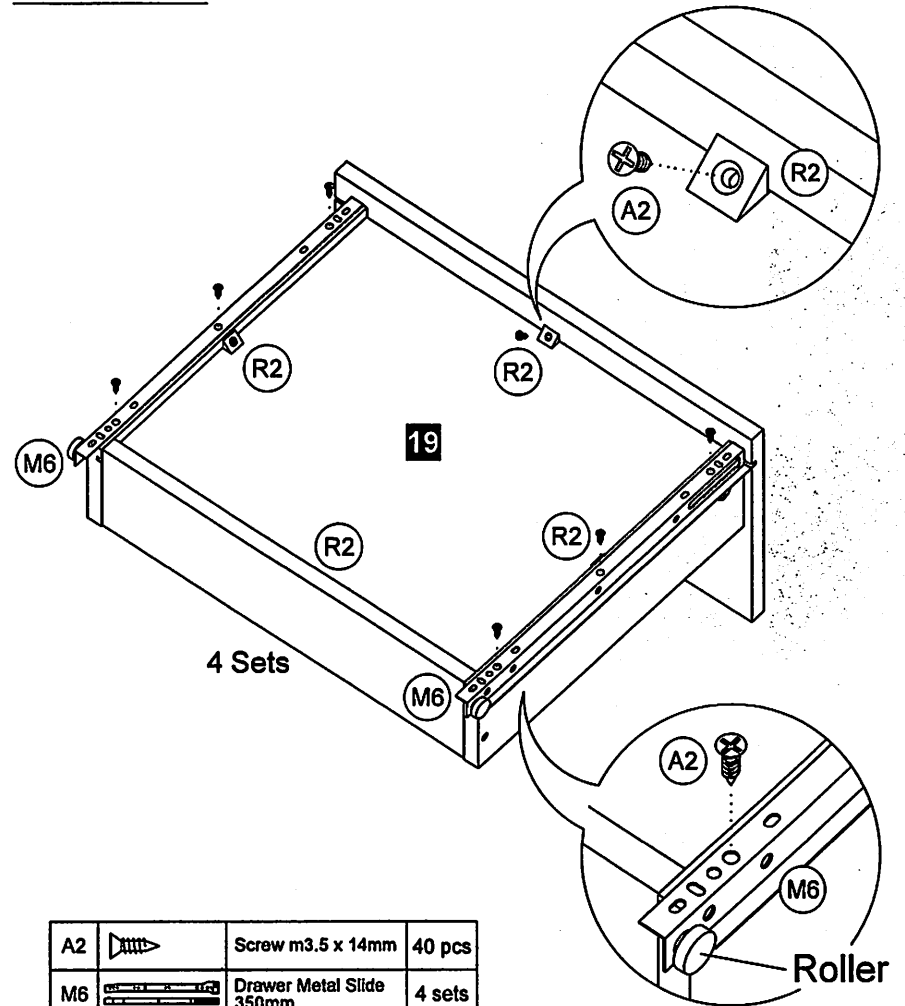
A2		Screw m3.5 x 14mm	6 pcs
C8		Square Lock L Bracket	2 pcs
D6		Wood Dowel 8 x 25mm	4 pcs
F2		Mini Fix Bolt	4 pcs
P1		Hanger 21	1 pc

# STEP 3



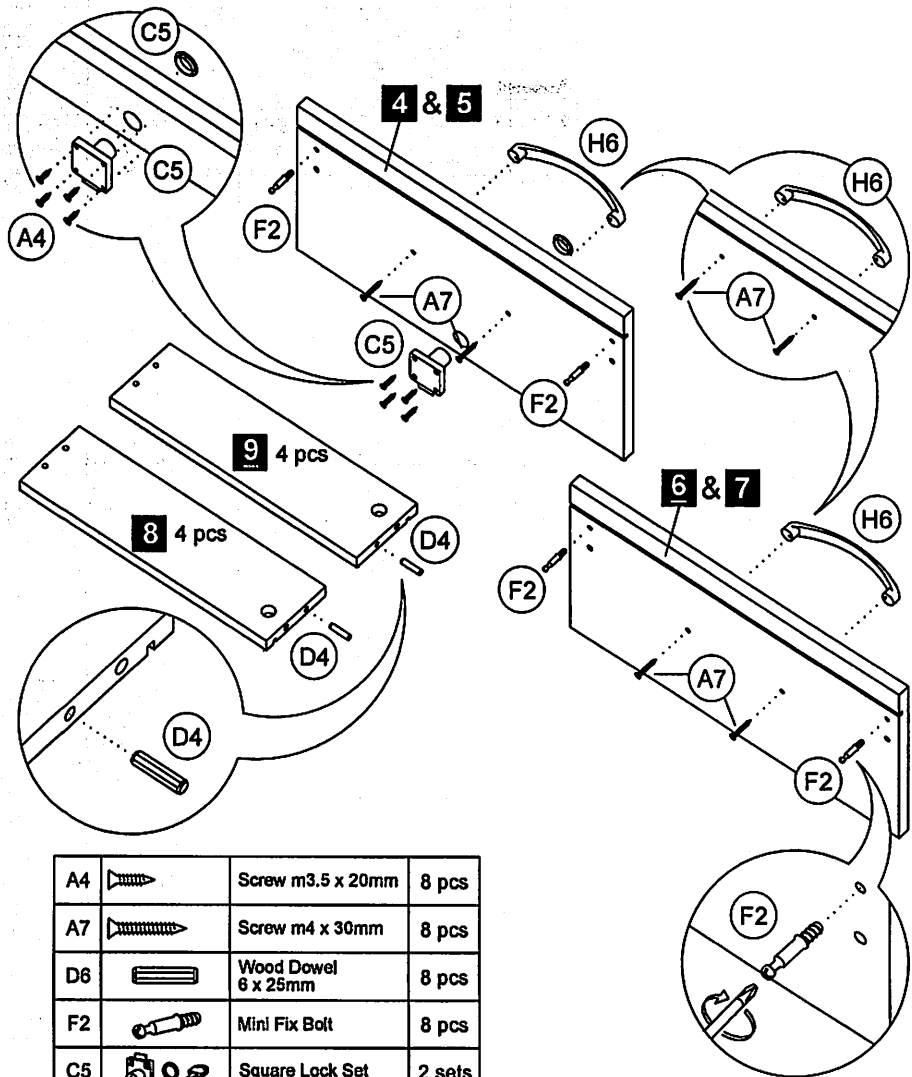
F2		Mini Fix 12mm	8 sets
----	--	---------------	--------



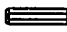



# STEP 4



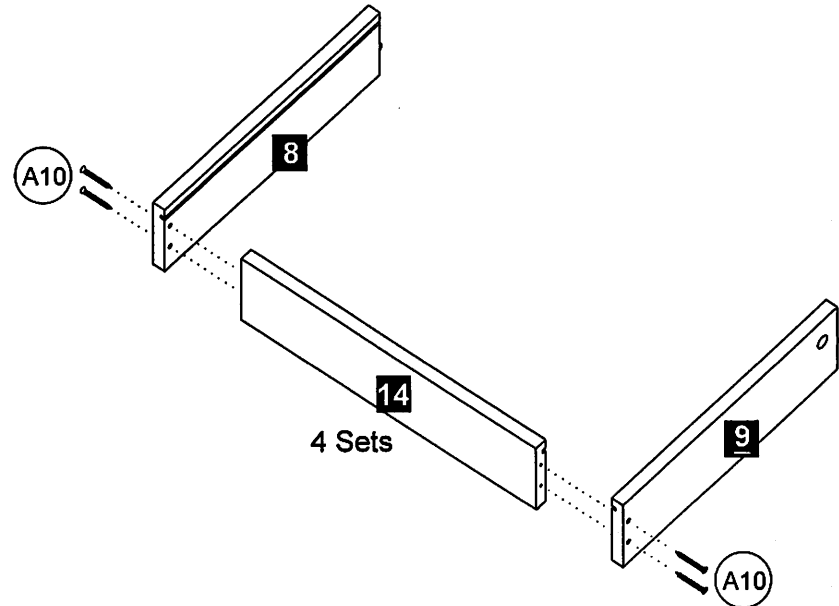
A2		Screw m3.5 x 14mm	40 pcs
M6		Drawer Metal Slide 350mm	4 sets
R2		Single Plastic Cap	16 pcs


# STEP 1



A4		Screw m3.5 x 20mm	8 pcs
A7		Screw m4 x 30mm	8 pcs
D6		Wood Dowel 6 x 25mm	8 pcs
F2		Mini Fix Bolt	8 pcs
C5		Square Lock Set	2 sets
H6		Handle 128mm	4 pcs

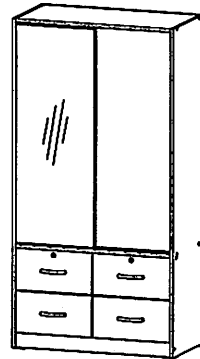
# STEP 2



A10		Screw m4 x 38mm	16 pcs
-----	---	-----------------	--------

# BETTER HOME PRODUCTS ASSEMBLY INSTRUCTIONS

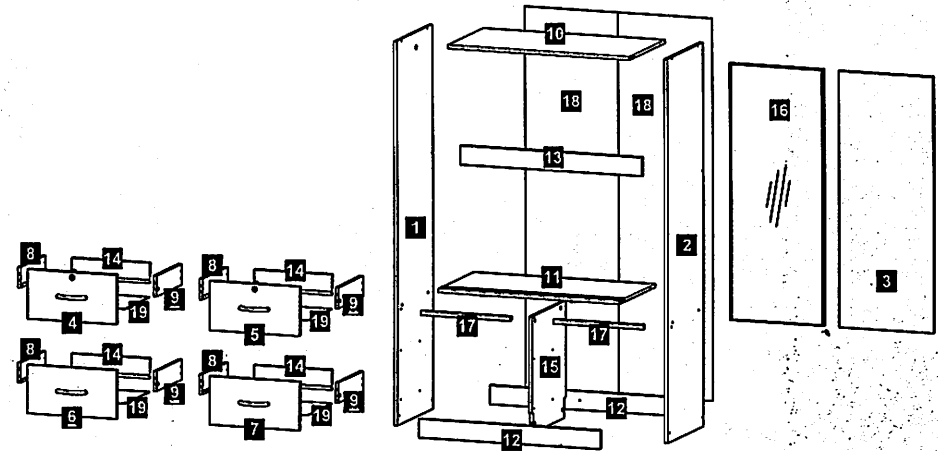
W-44



Hardware List			
A2		Screw m3.5 x 14mm	94 pcs
A4		Screw m3.5 x 20mm	8 pcs
A7		Screw m4 x 30mm	8 pcs
A10		Screw m4 x 38mm	16 pcs
A17		Screw m6.3 x 40mm	16 pcs
A34		Euro Screw m5 x 8mm	16 pcs
C5		Square Lock Set	2 sets
C8		Square Lock L Bracket	2 pcs
D4		Wood Dowel 6 x 25mm	8 pcs
D6		Wood Dowel 8 x 25mm	4 pcs
F2		Mini Fix 15mm	12 sets
H6		Handle 128mm	4 pcs
L1		Leg Pin	2 pcs
L2		Plastic Leg L Shape	4 pcs
M6		Drawer Metal Slide 350mm	4 sets
N1		Allen Key	1 pc
N3		Nail	70 (+-3) pcs
P		Hanging Steel Pipe 18mm x 907mm	1 pc
P1		Hanger 21	1 pc
R2		Single Plastic Cap	16 pcs
V5		Sliding Roller 1 Door 2 Sets	2 sets
Y		Crosshead Cover	16 pcs

MADE IN MALAYSIA

Page 1/17



Parts List		
1	Side Panel (L)	1 pc
2	Side Panel (R)	1 pc
3	Door Panel	2 pcs
4	Drawer Front Panel (L-Lock)	1 pc
5	Drawer Front Panel (R-Lock)	1 pc
6	Drawer Front Panel (L)	1 pc
7	Drawer Front Panel (R)	1 pc
8	Drawer Side Panel (L)	4 pcs
9	Drawer Side Panel (R)	4 pcs
10	Top Panel	1 pc
11	Bottom Panel	1 pc
12	Bottom Crossbar	2 pcs
13	Crossbar Panel	1 pc
14	Drawer Back Board	4 pcs
15	Center Panel	1 pc
16	Mirror	1 pc
17	Wood	2 pcs
18	Backboard	2 pcs
19	Drawer Bottom Panel	4 pcs



Before starting assembly  
please verify if all parts and  
hardware are included

MADE IN MALAYSIA

Page 2/17



# THANK YOU

**We hope you enjoy your new purchase.**

**We have personally inspected this product.**

**In the event that you need any additional help for any reason,**

**Please do not hesitate to contact use at: 973-473-5068**

**Email [maria@better-homeproducts.com](mailto:maria@better-homeproducts.com)**

**See our website [Woodpeckers-furniture.com](http://Woodpeckers-furniture.com)**

**Better Home Products  
323 Cortland Street  
Belleville New Jersey**

**Thank you**